

[54] DESK-TOP COMPUTER

[75] Inventors: Masahiro Kando, Tokyo; Sakae Uematsu, Yokohama, both of Japan

[73] Assignee: Canon Kabushiki Kaisha, Tokyo, Japan

[**] Term: 14 Years

[21] Appl. No.: 235,765

[22] Filed: Feb. 18, 1981

[30] Foreign Application Priority Data

Aug. 21, 1980 [JP] Japan 34259/1980

[51] Int. Cl. D14-02

[52] U.S. Cl. D14/106

[58] Field of Search D14/100-117; 364/708, 900; 340/700, 711, 365 R

[56] References Cited

U.S. PATENT DOCUMENTS

D. 248,299 6/1978 Morgan et al. D14/106

OTHER PUBLICATIONS

Computer Design, 11/78, p. 26, Billings Microsystem. Computer Design, 10/79, p. 99, Columbia Data Products "Commander" Computer System. Computer Design, 10/79, p. 150-Hewlett-Packard Computer Controlled Logic Analyzer.

Primary Examiner—Susan J. Lucas Attorney, Agent, or Firm—Fitzpatrick, Cella, Harper & Scinto

[57] CLAIM

The ornamental design for a desk-top computer, as shown and described.

DESCRIPTION

FIG. 1 is a front view of the desk-top computer showing our new design; FIG. 2 is a rear view thereof; FIG. 3 is a top plan view thereof; FIG. 4 is a bottom plan view thereof; FIG. 5 is a side elevational view as seen from the left of FIG. 1; FIG. 6 is a side elevational view as seen from the right of FIG. 1; and FIG. 7 is a perspective view of the computer.

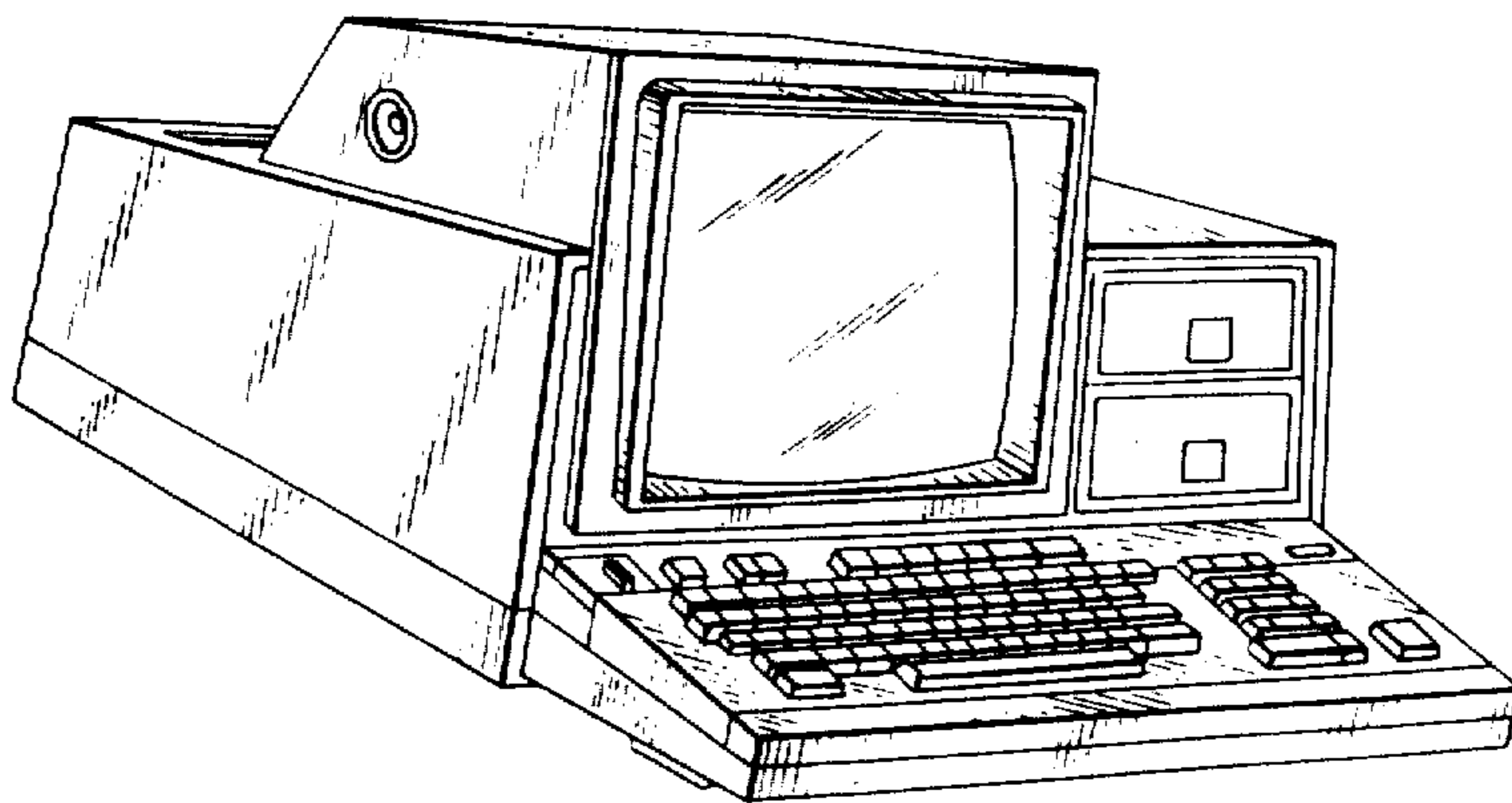


FIG. 1

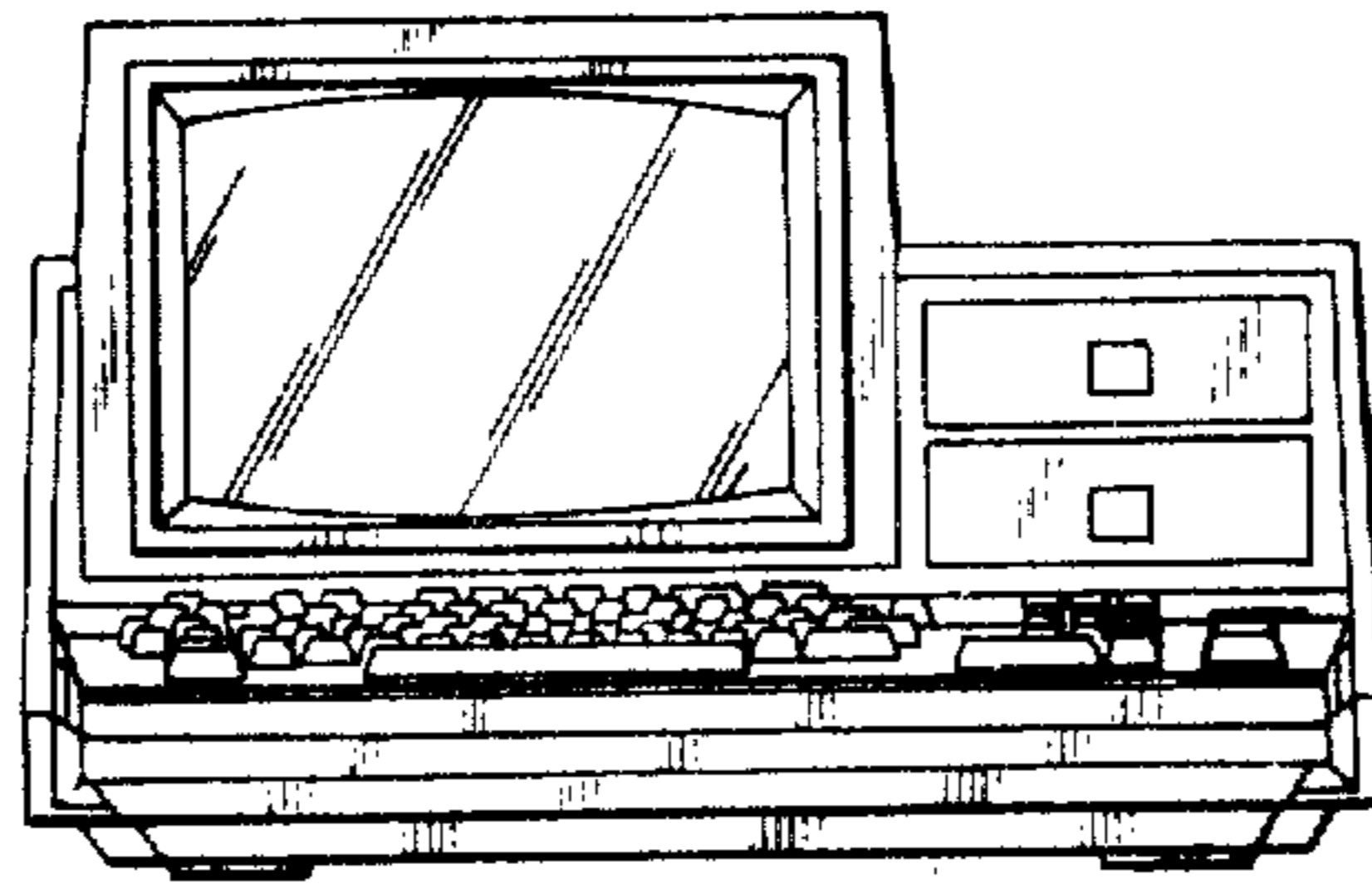


FIG. 2

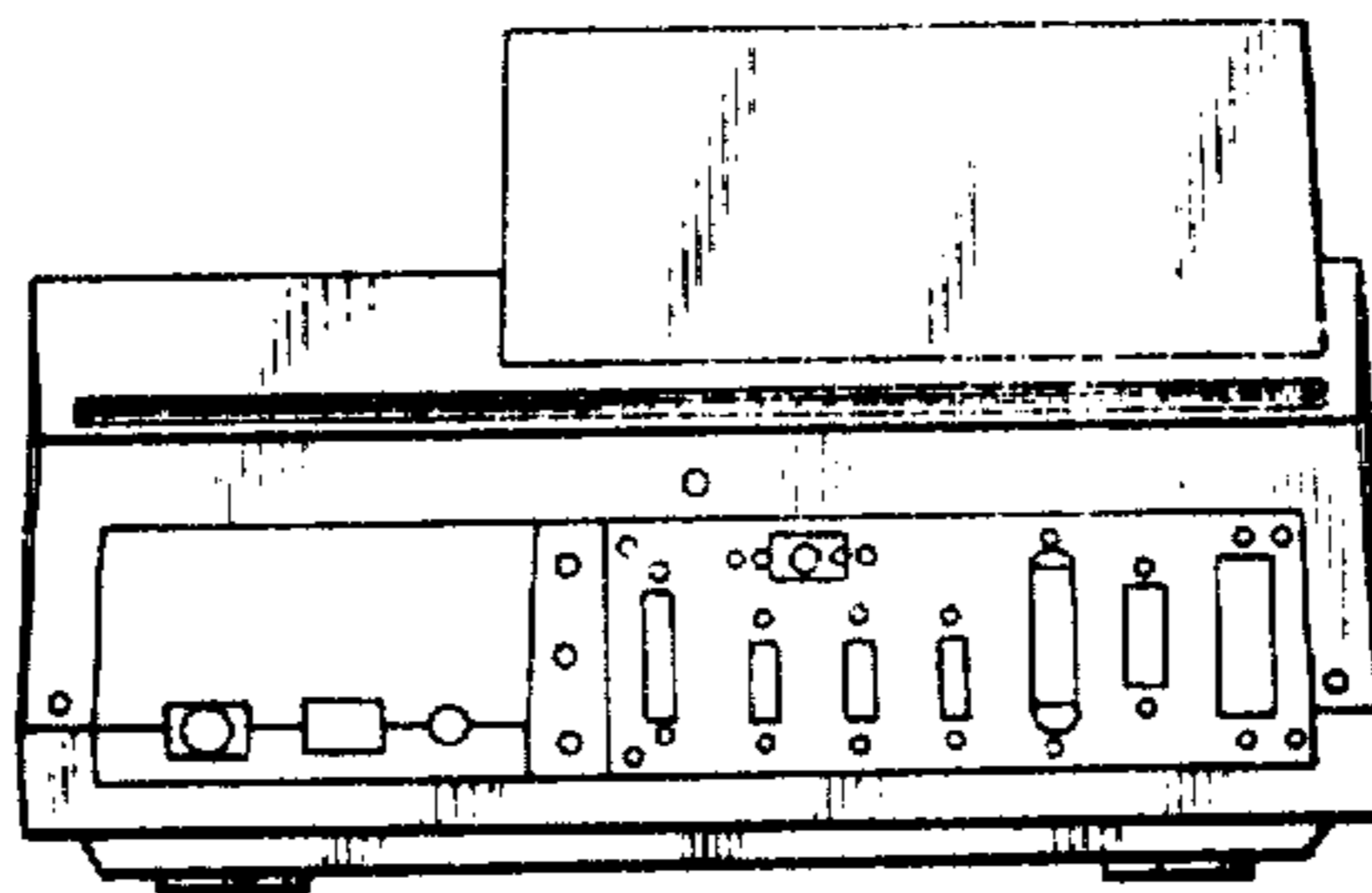


FIG. 3

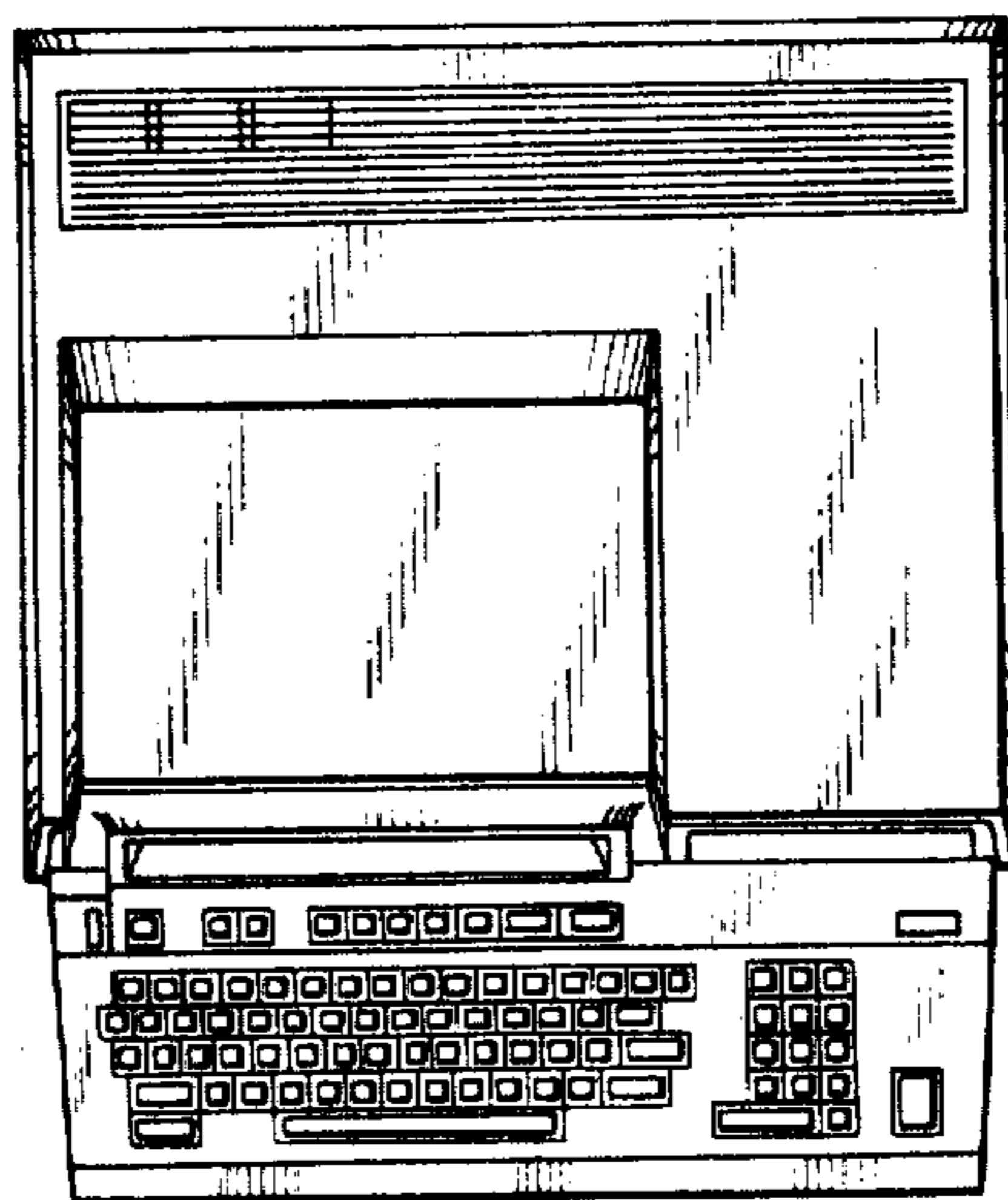


FIG. 4

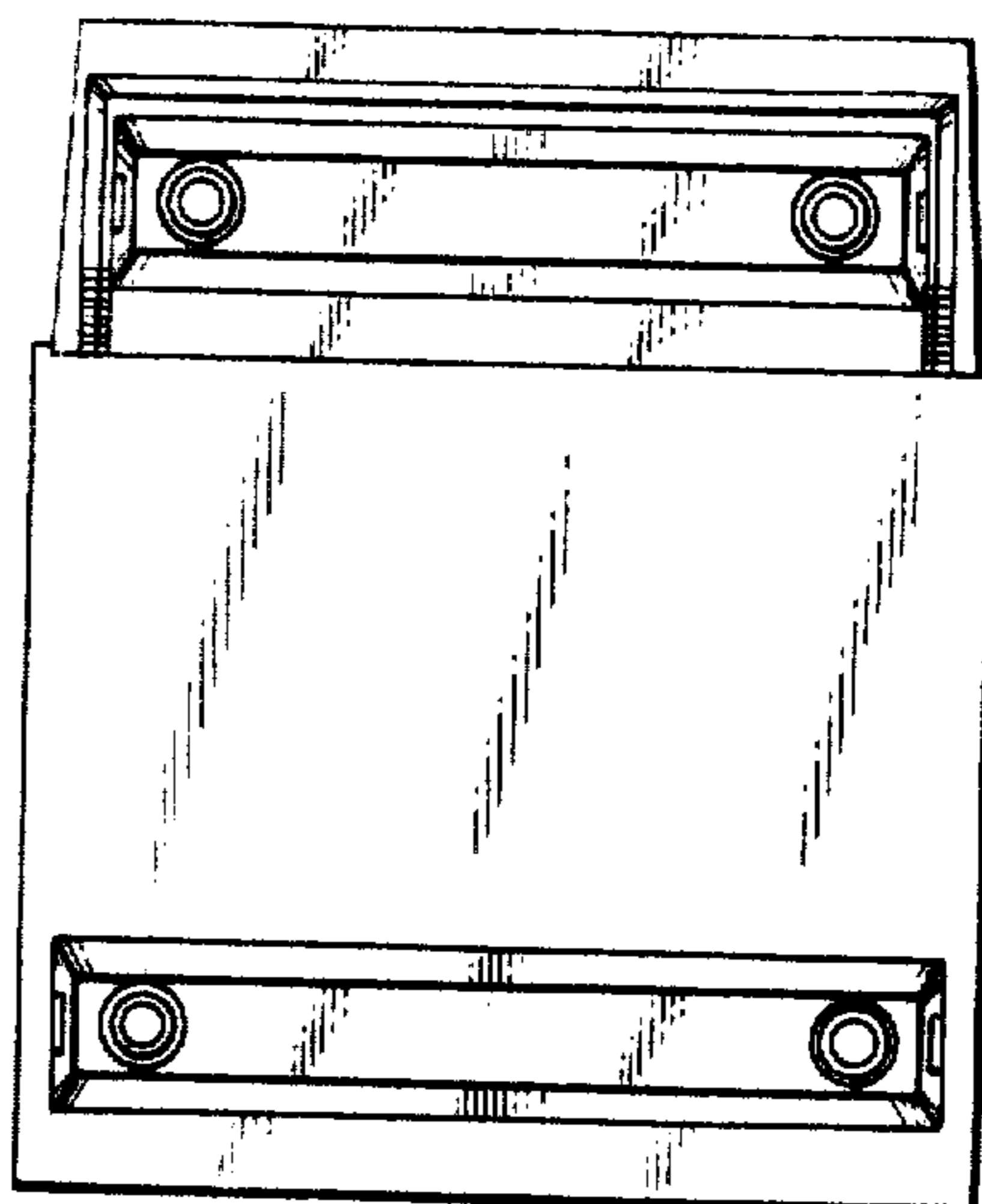


FIG. 5

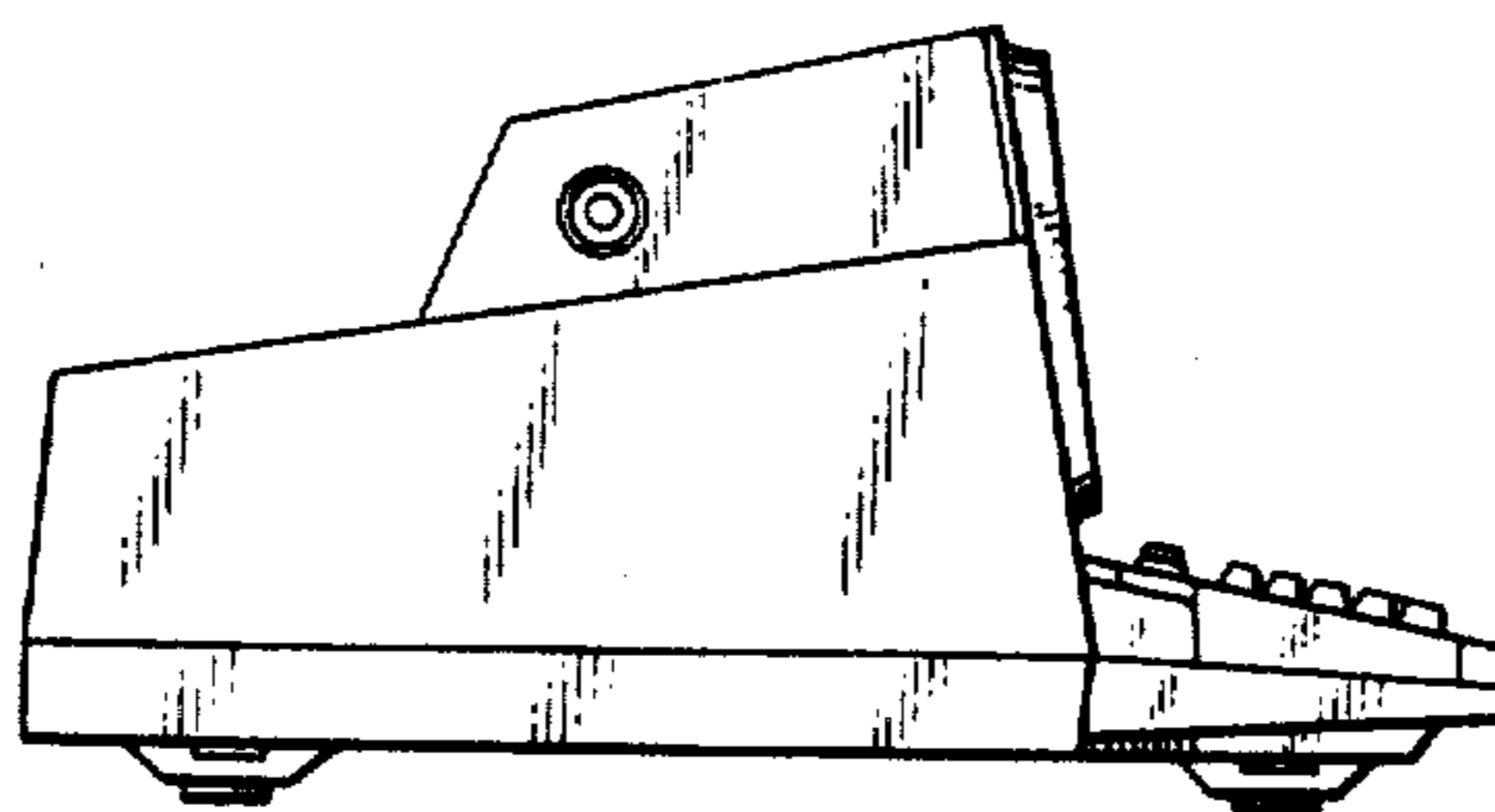


FIG. 6

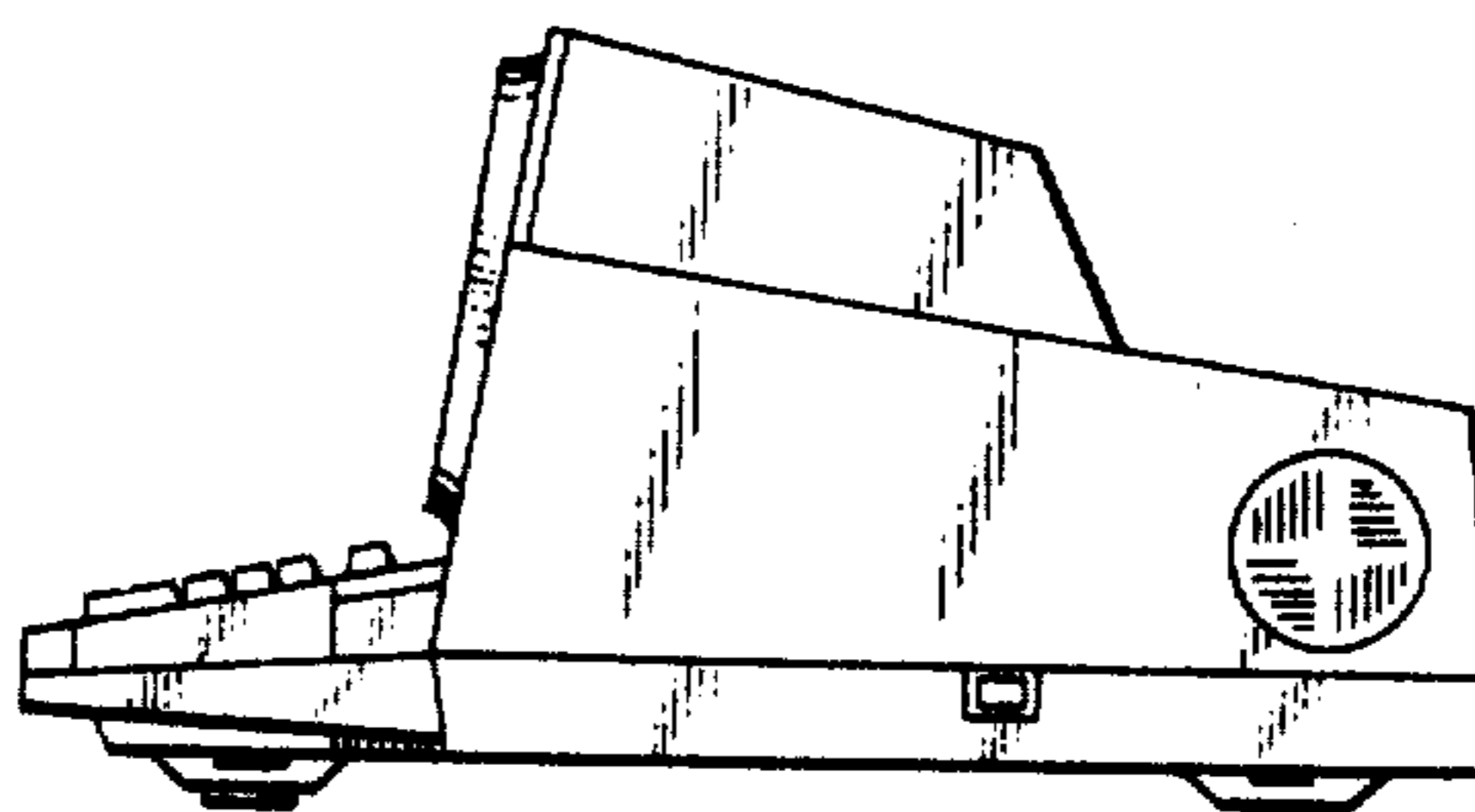


FIG. 7

