

- [54] MICROWAVE CORN POPPER
- [75] Inventors: Robert F. Bowen, Burlington;
Thomas J. Martel, North Reading,
both of Mass.
- [73] Assignee: Raytheon Company, Lexington,
Mass.
- [**] Term: 14 Years
- [21] Appl. No.: 349,745
- [22] Filed: Feb. 18, 1982
- [51] Int. Cl. D07—02
- [52] U.S. Cl. D7/325; D7/360
- [58] Field of Search D7/325, 376, 354, 360,
D7/68, 361, 22; 99/323.8

- 4,158,760 6/1979 Bowen et al. 99/323.5 X
- 4,335,291 6/1982 Ishino et al. 99/323.5 X

OTHER PUBLICATIONS

HFD-Retailing Home Furnishings, Apr. 24, 1978, p. 43,
Sec. 1, Amana's Microwave Corn Popper.
The Micro-Cook Catalog-1980 Cat., p. 2, Item C, bot-
tom r., Family Popper #10-08002, See-Through
Cone-Shaped Dish with Handles, Cover.

Primary Examiner—Winifred E. Herrmann
Attorney, Agent, or Firm—William R. Clark; Joseph D.
Pannone

CLAIM

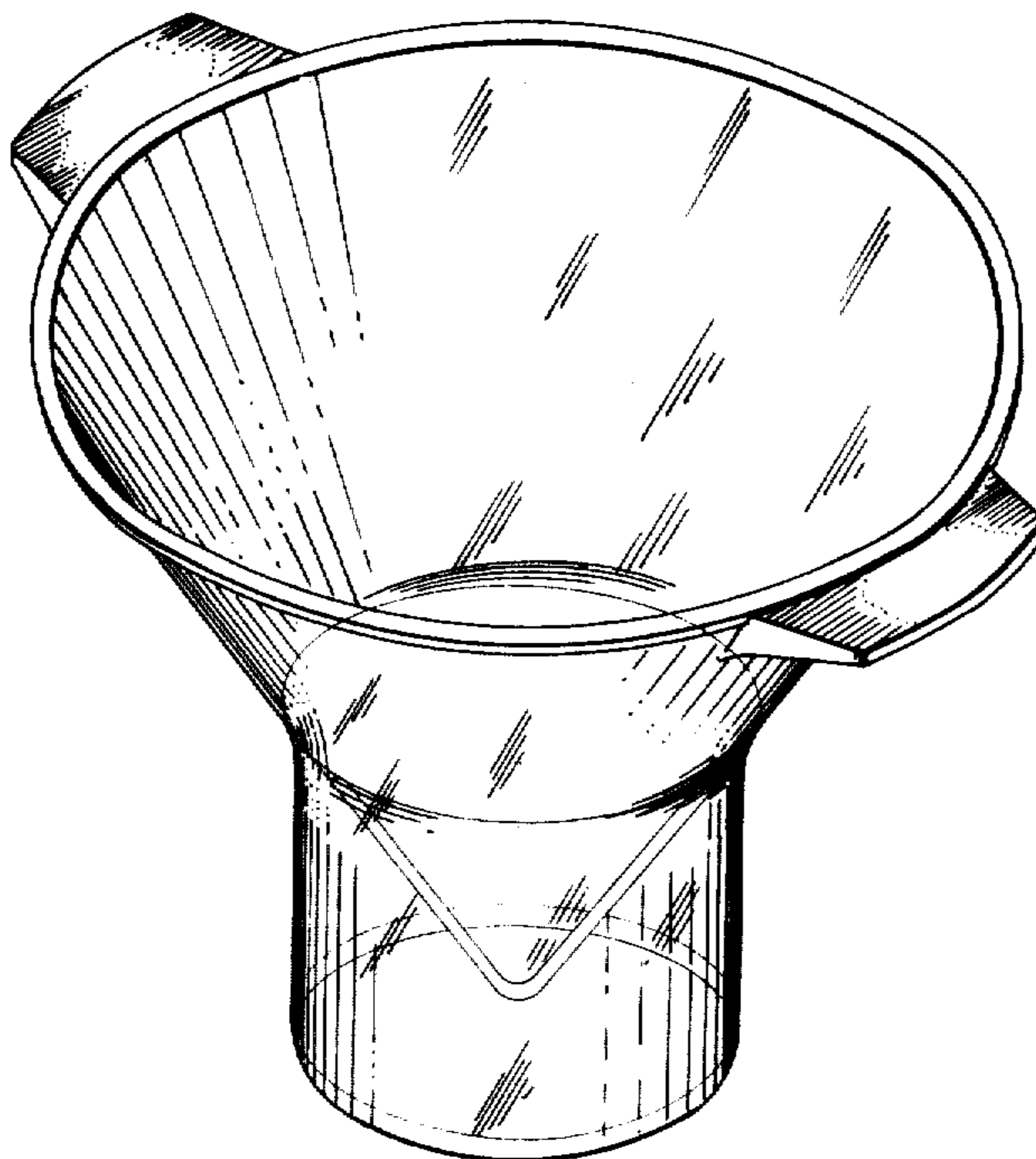
[57] The ornamental design for a microwave corn popper, as shown.

DESCRIPTION

FIG. 1 is a top front perspective view of a microwave corn popper showing our new design;
FIG. 2 is a rear elevational view thereof;
FIG. 3 is a bottom plan view thereof;
FIG. 4 is a top plan view thereof; and
FIG. 5 is a left or right side elevational view thereof.

[56] **References Cited**
U.S. PATENT DOCUMENTS

- D. 242,207 11/1976 Vandenberg D7/391
- D. 255,534 6/1980 Martel et al. D7/361
- 2,261,427 11/1941 Witt D7/43 X
- 3,699,874 10/1972 Dusek 99/323.5



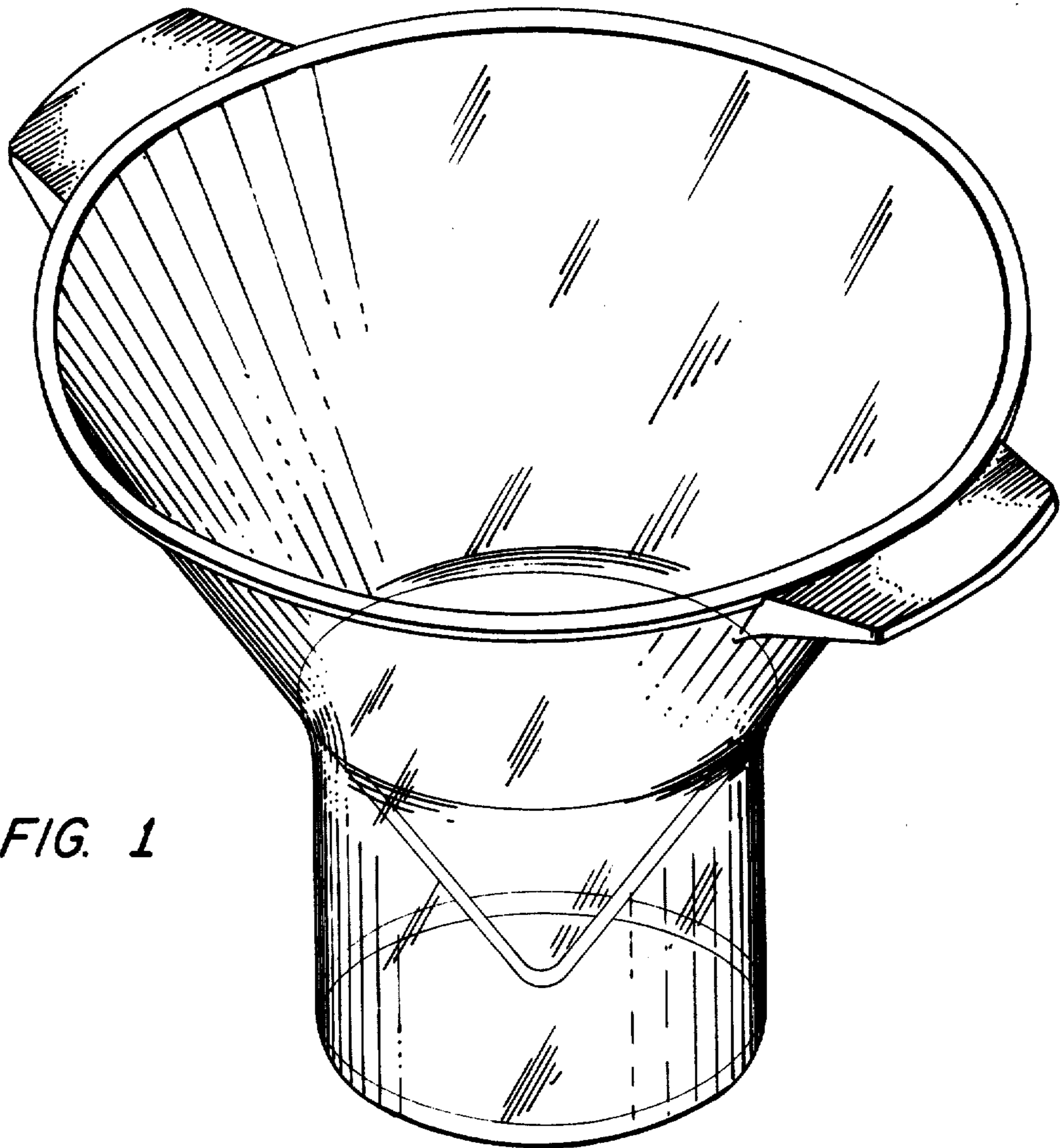


FIG. 1

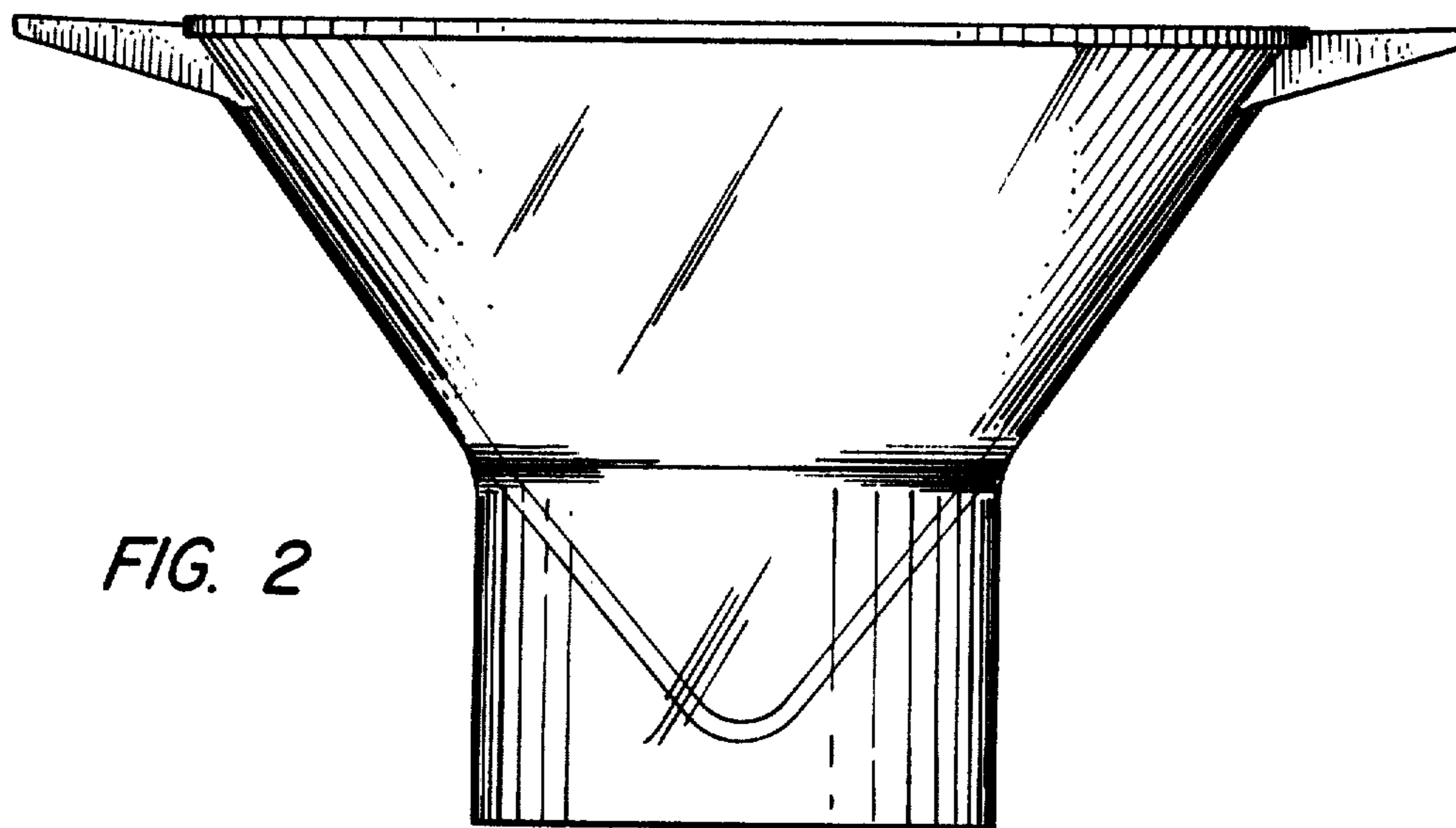


FIG. 2

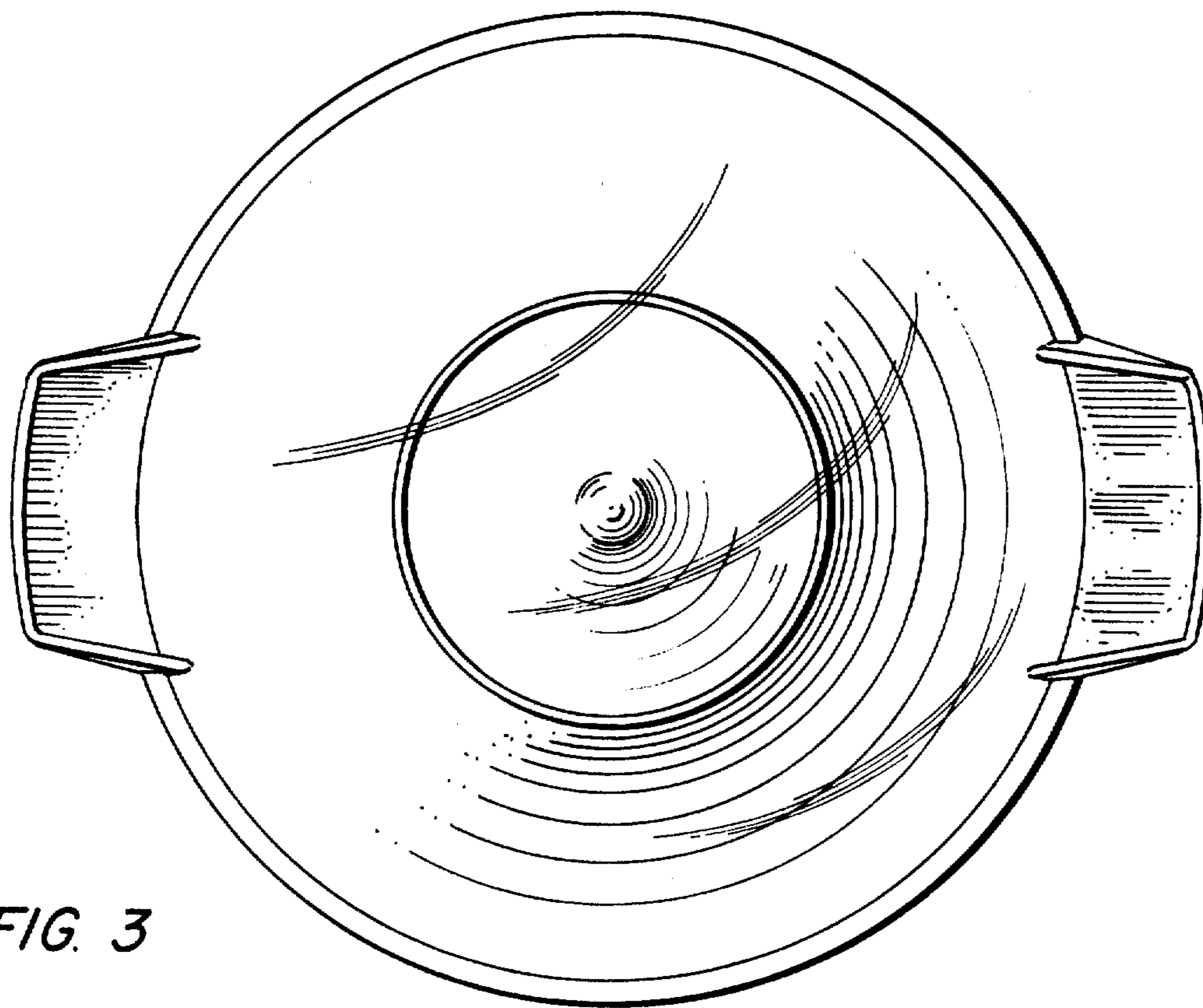


FIG. 3

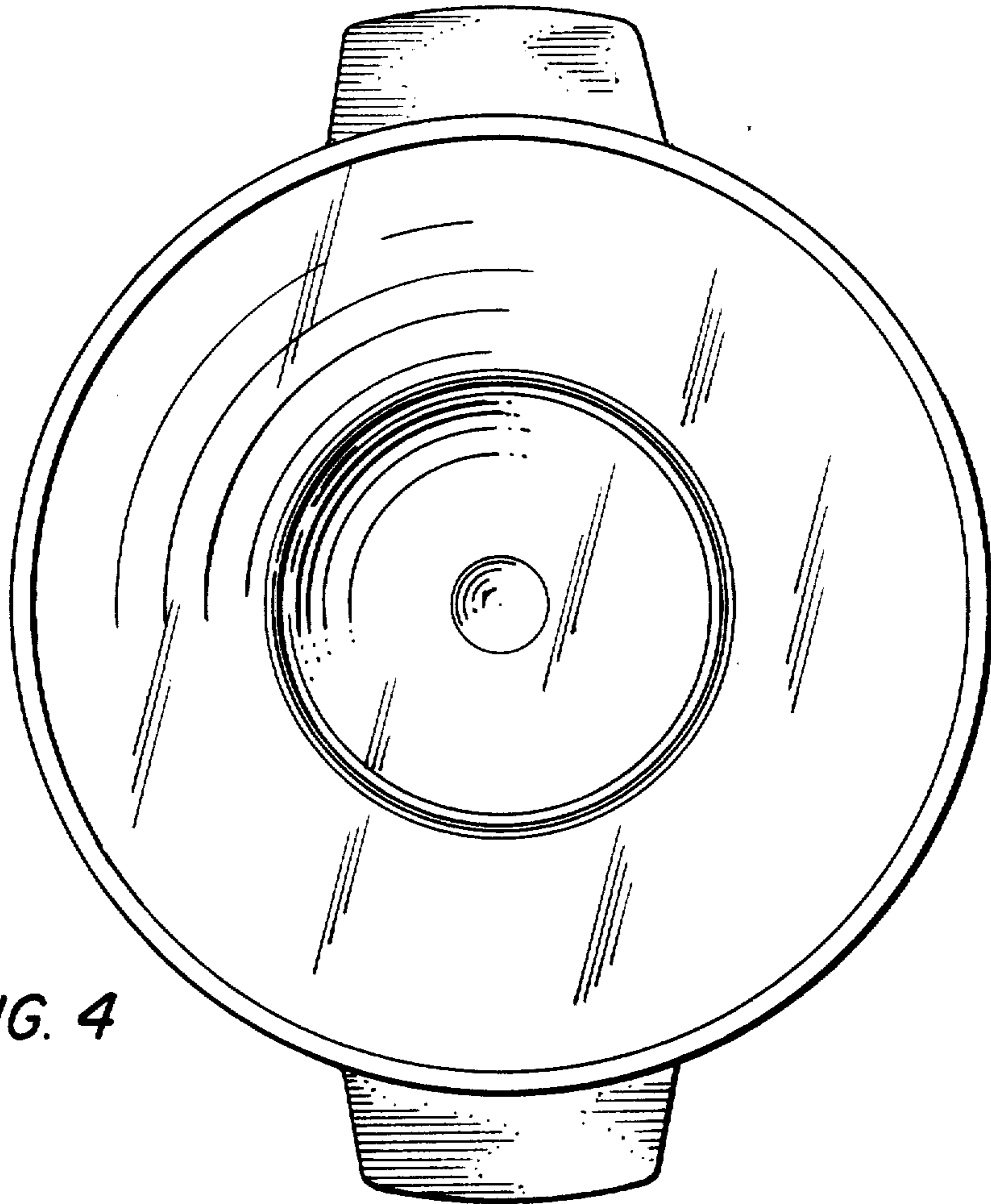


FIG. 4

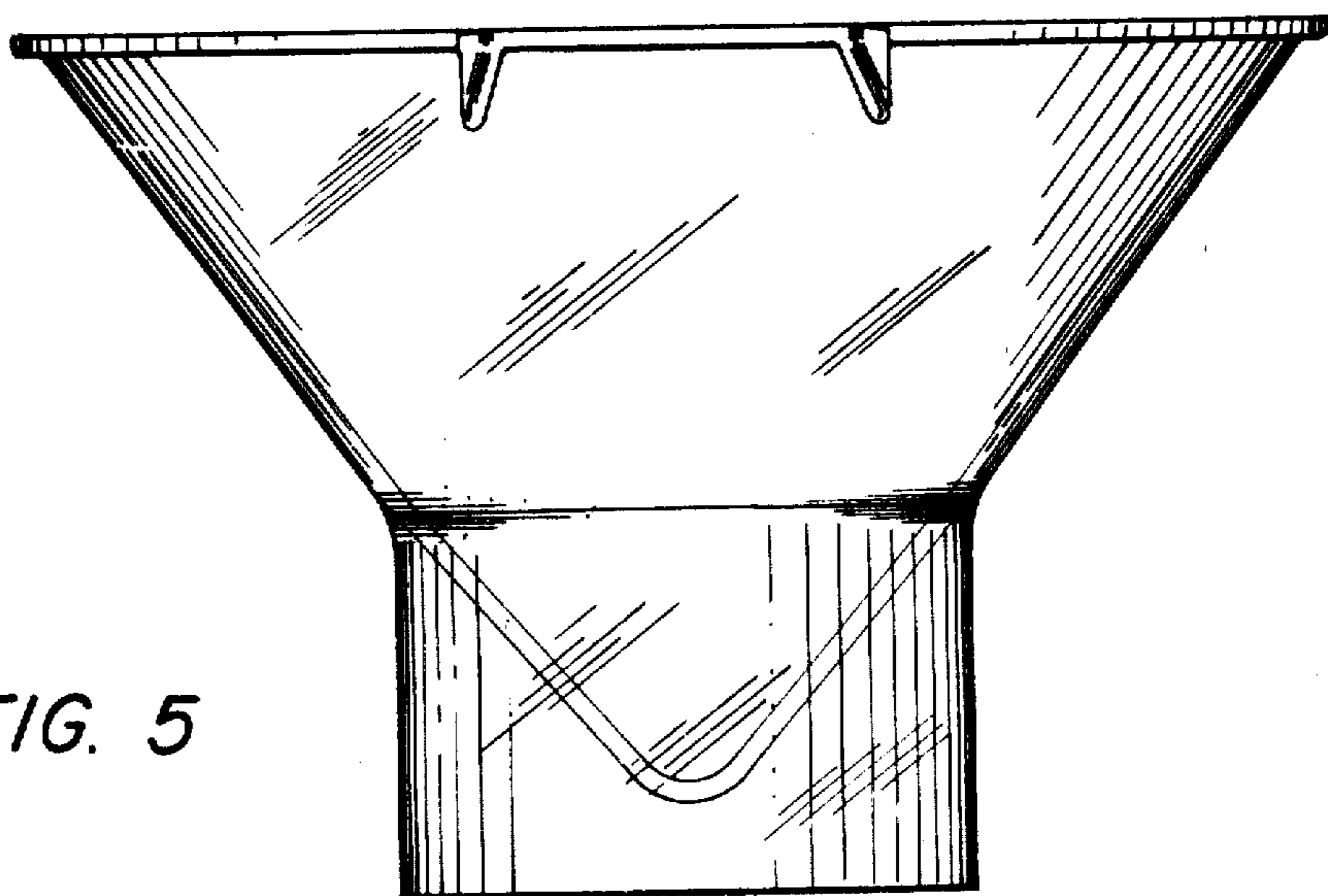


FIG. 5