

- [54] BOWL OR SIMILAR ARTICLE
- [75] Inventor: Wayne Husted, Tiburon, Calif.
- [73] Assignee: Anchor Hocking Corporation, Lancaster, Ohio
- [**] Term: 14 Years
- [21] Appl. No.: 324,441
- [22] Filed: Nov. 24, 1981

Related U.S. Application Data

- [62] Division of Ser. No. 37,715, May 11, 1979, Pat. No. Des. 266,135.
- [51] Int. Cl. D07—01
- [52] U.S. Cl. D7/22; D7/13
- [58] Field of Search D11/152, 153, 154; D7/11, 13, 17, 22

References Cited

U.S. PATENT DOCUMENTS

D. 7,550	7/1874	Bennett	D7/17 X
D. 38,513	4/1907	Brush	D11/154
D. 62,228	4/1923	Magee	D7/22
D. 62,404	5/1923	Magee	D7/22
D. 90,471	8/1933	Bottome	D7/13

OTHER PUBLICATIONS

Pitman-Dreitzer, 1965 Cat., p. 22, Crystal Accessories by Colony, Grapefruit Bowl #1/301, bottom left.

Libbey Glassware Cat., p. 6, Olympian Stemware, Goblet #9011, top left.

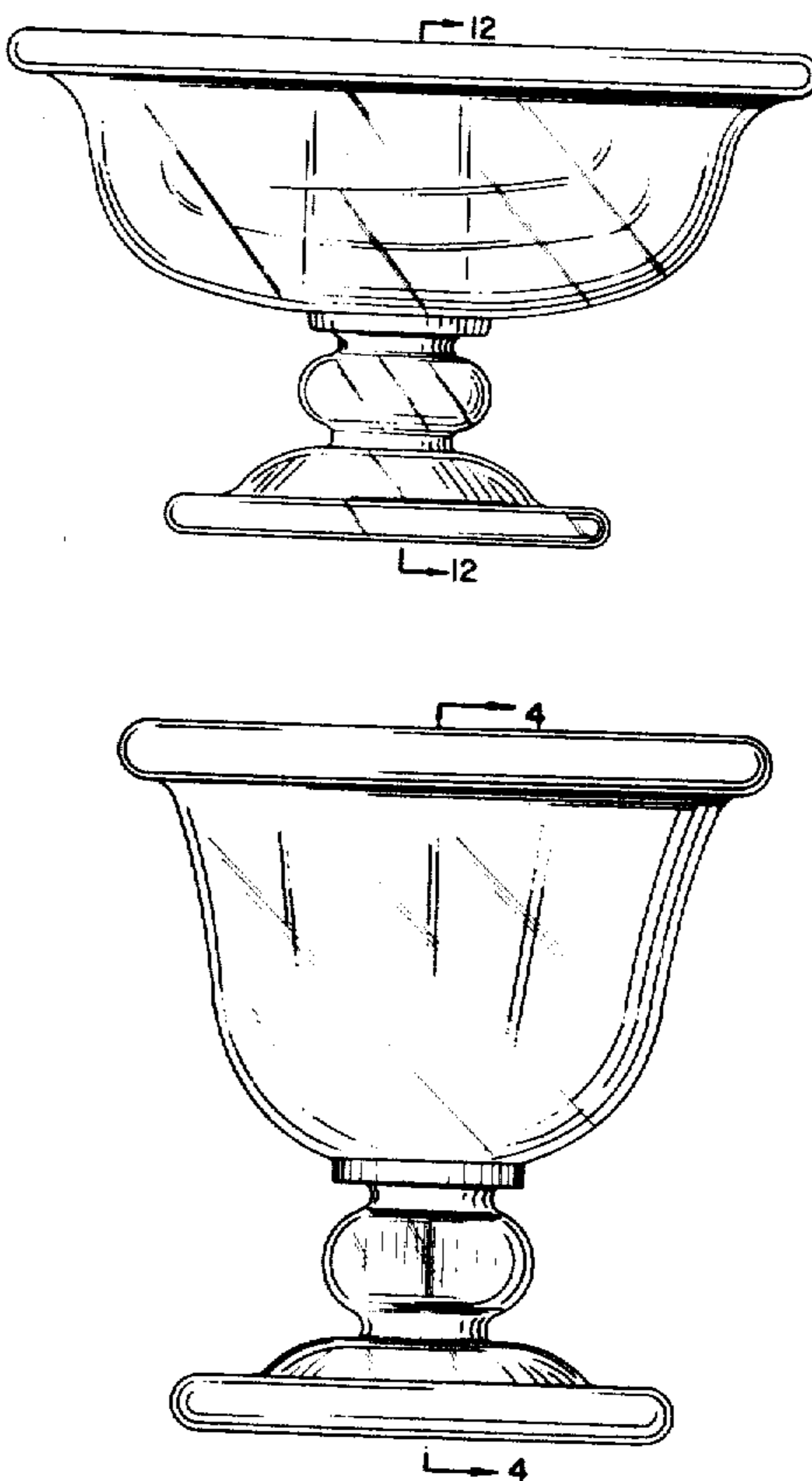
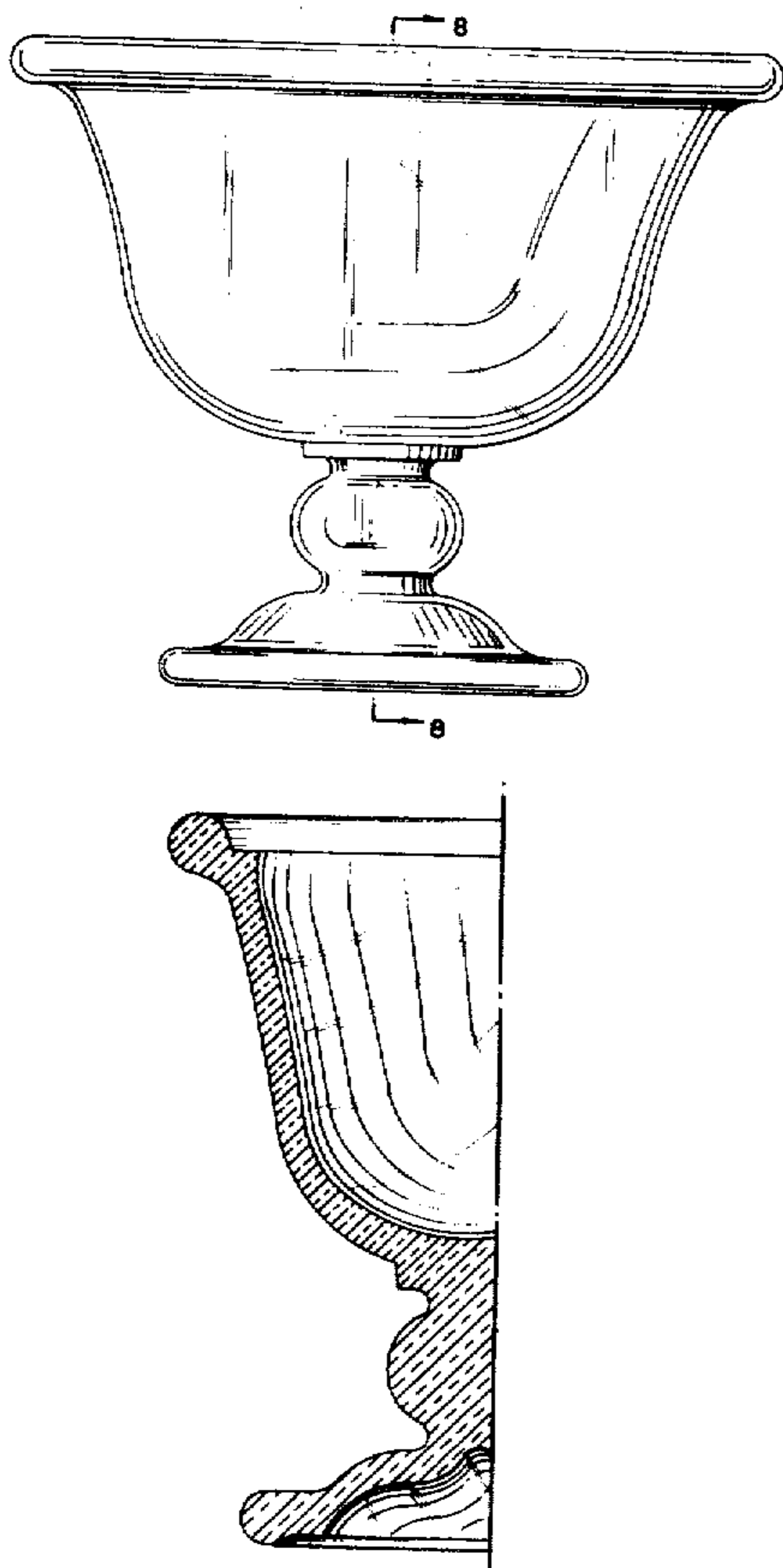
Primary Examiner—Winifred E. Herrmann
Attorney, Agent, or Firm—Holland, Armstrong, Wilkie & Previto

[57] **CLAIM**

The ornamental design for a bowl or similar article, substantially as shown and described.

DESCRIPTION

FIG. 1 is an elevational view of a bowl or similar article showing my new design;
 FIG. 2 is a top plan view thereof;
 FIG. 3 is a bottom plan view thereof;
 FIG. 4 is a sectional view taken along line 4—4 of FIG. 1;
 FIG. 5 is an elevational view of a modification of my new design for a bowl or similar article;
 FIG. 6 is a top plan view thereof on a reduced scale;
 FIG. 7 is a bottom plan view thereof on a reduced scale;
 FIG. 8 is a sectional view taken along line 8—8 of FIG. 5;
 FIG. 9 is an elevational view of another modification of my new design for a bowl or similar article;
 FIG. 10 is a top plan view thereof on a reduced scale;
 FIG. 11 is a bottom plan view thereof on a reduced scale; and
 FIG. 12 is a sectional view taken along line 12—12 of FIG. 9.



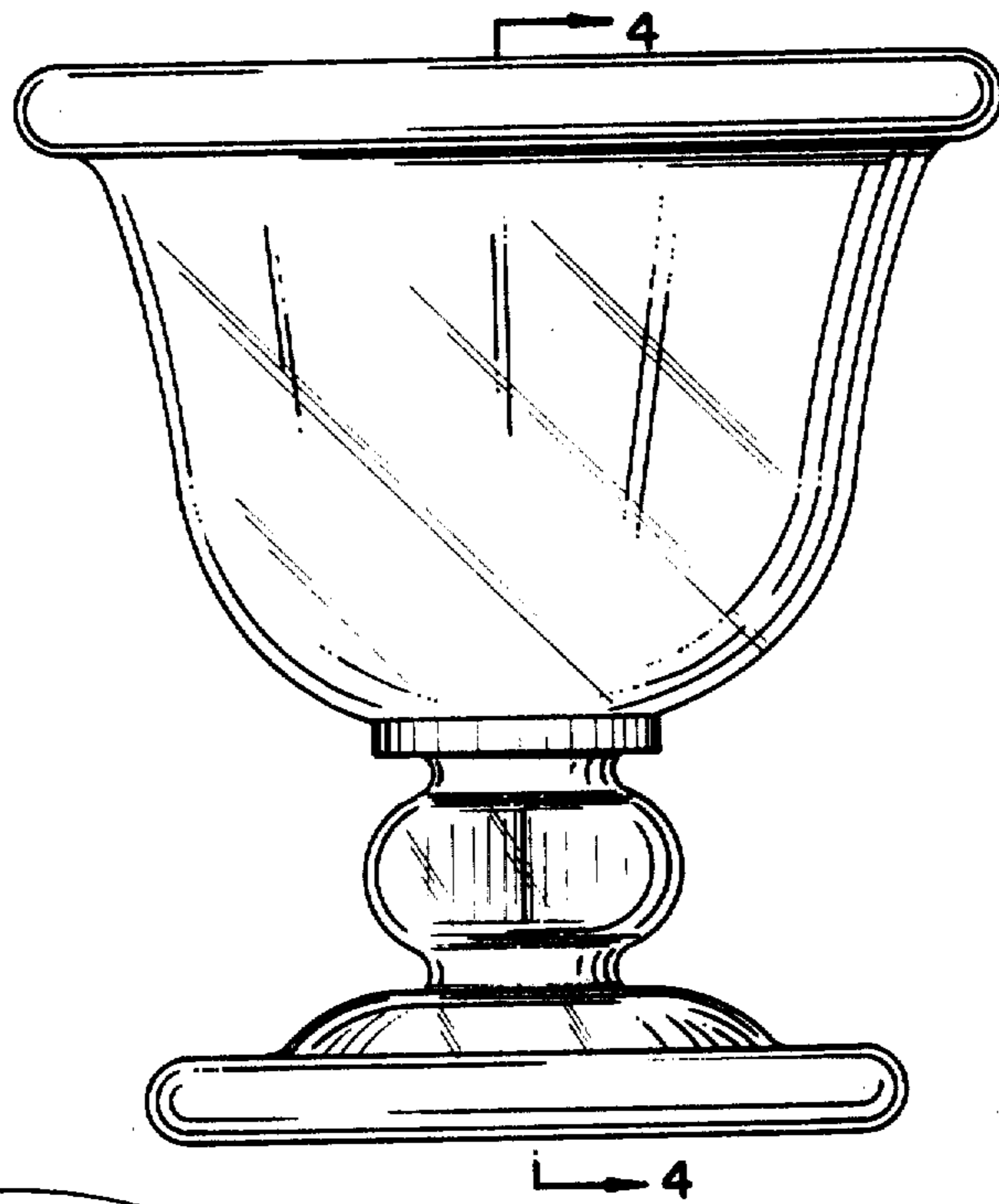


Fig. 1

Fig. 2

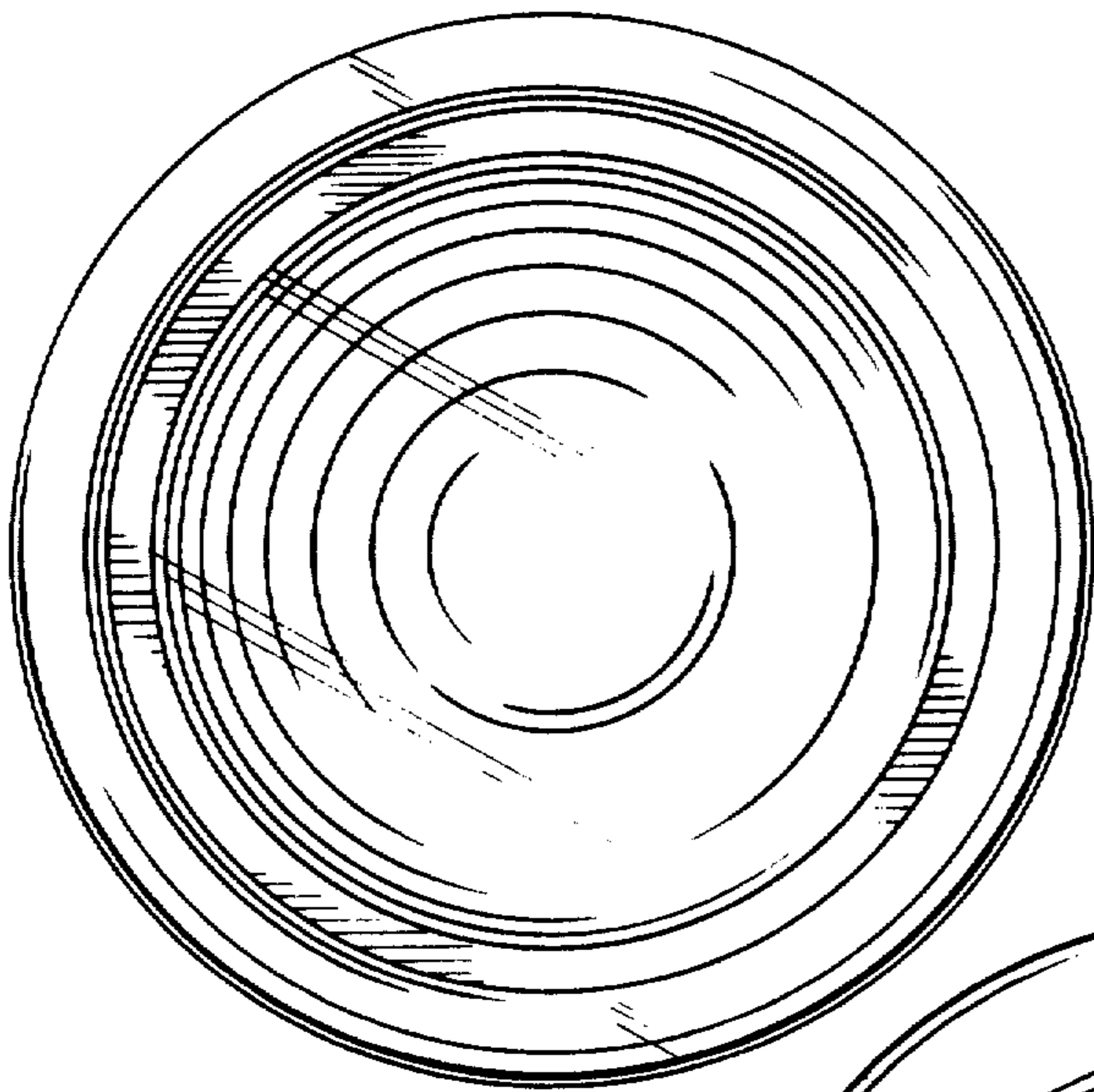


Fig. 3

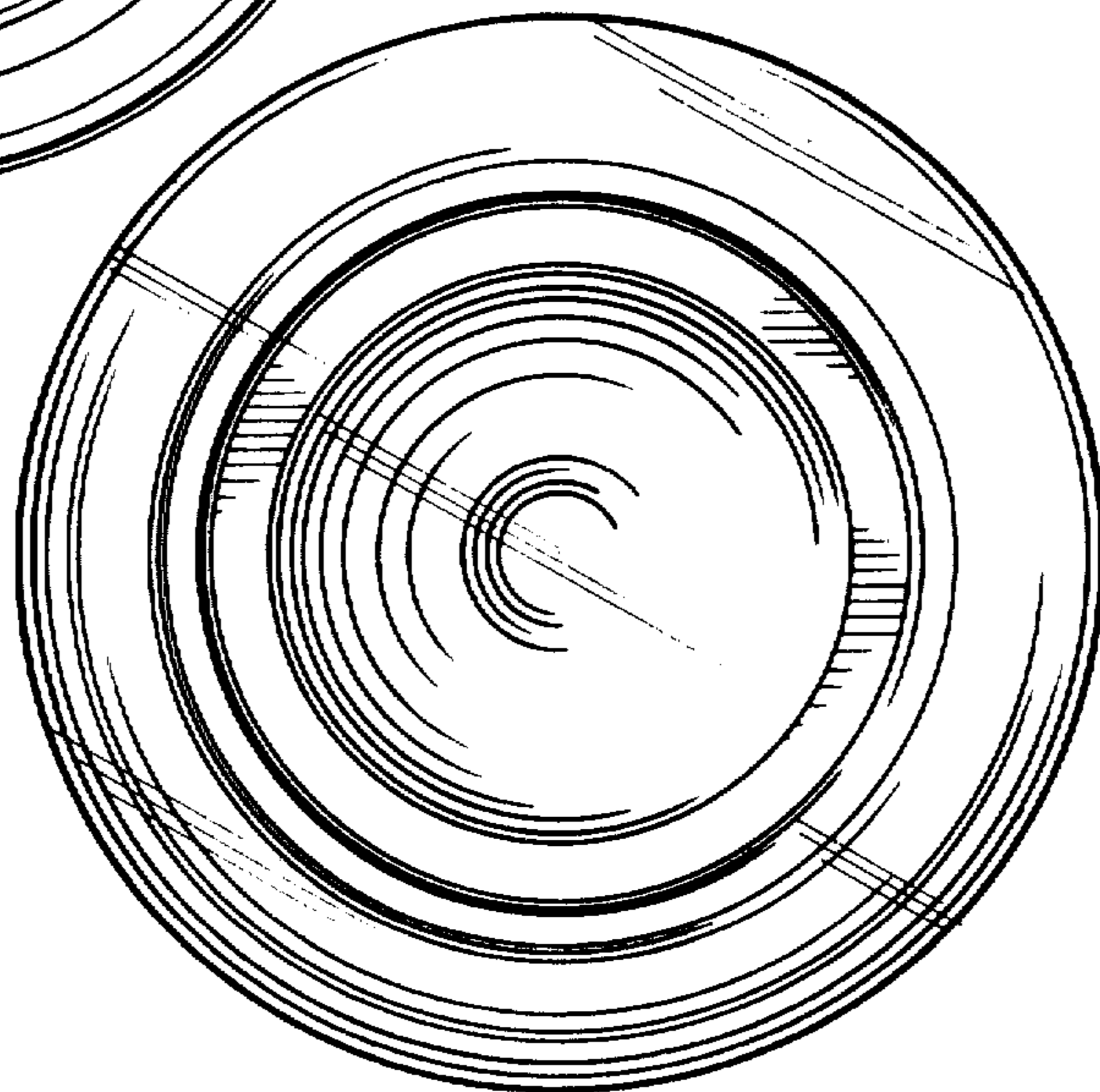
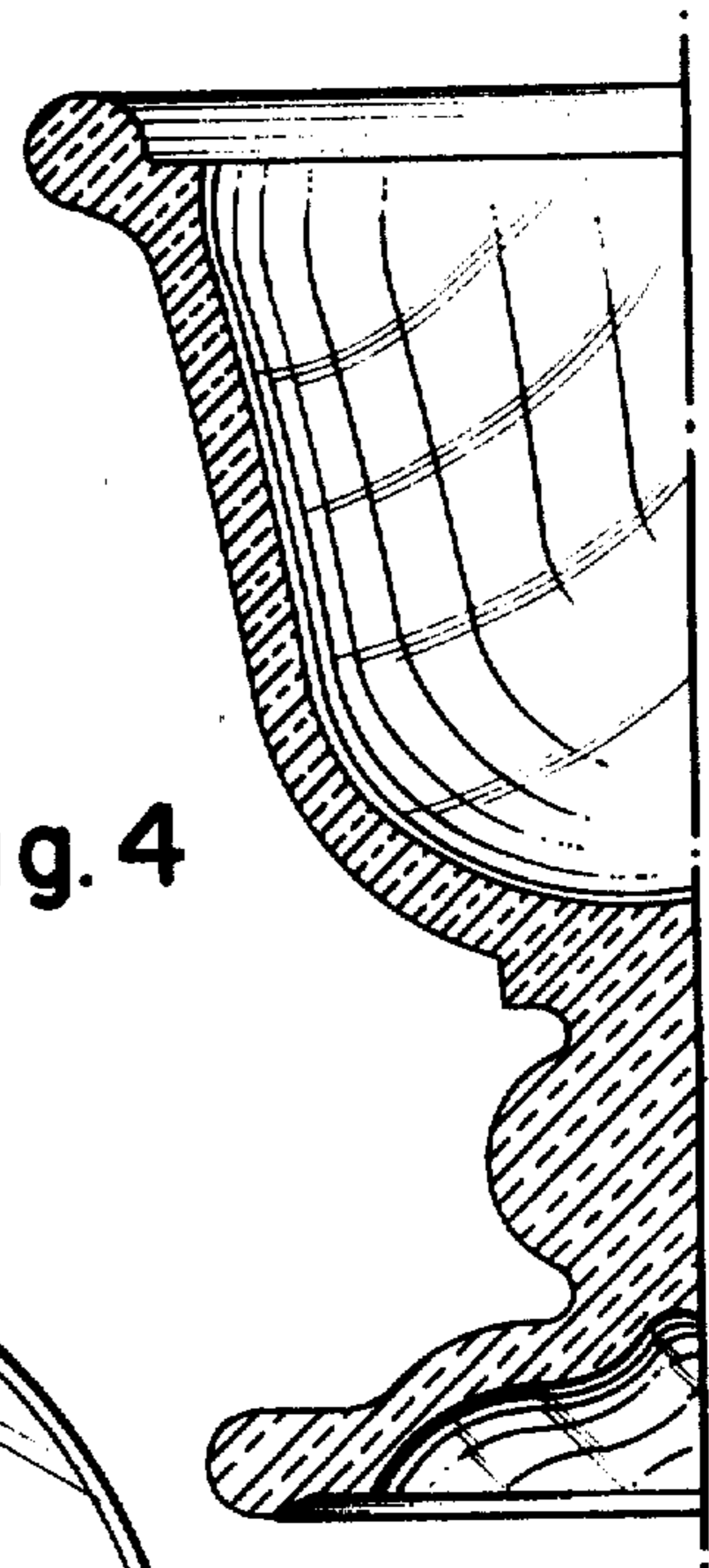


Fig. 4



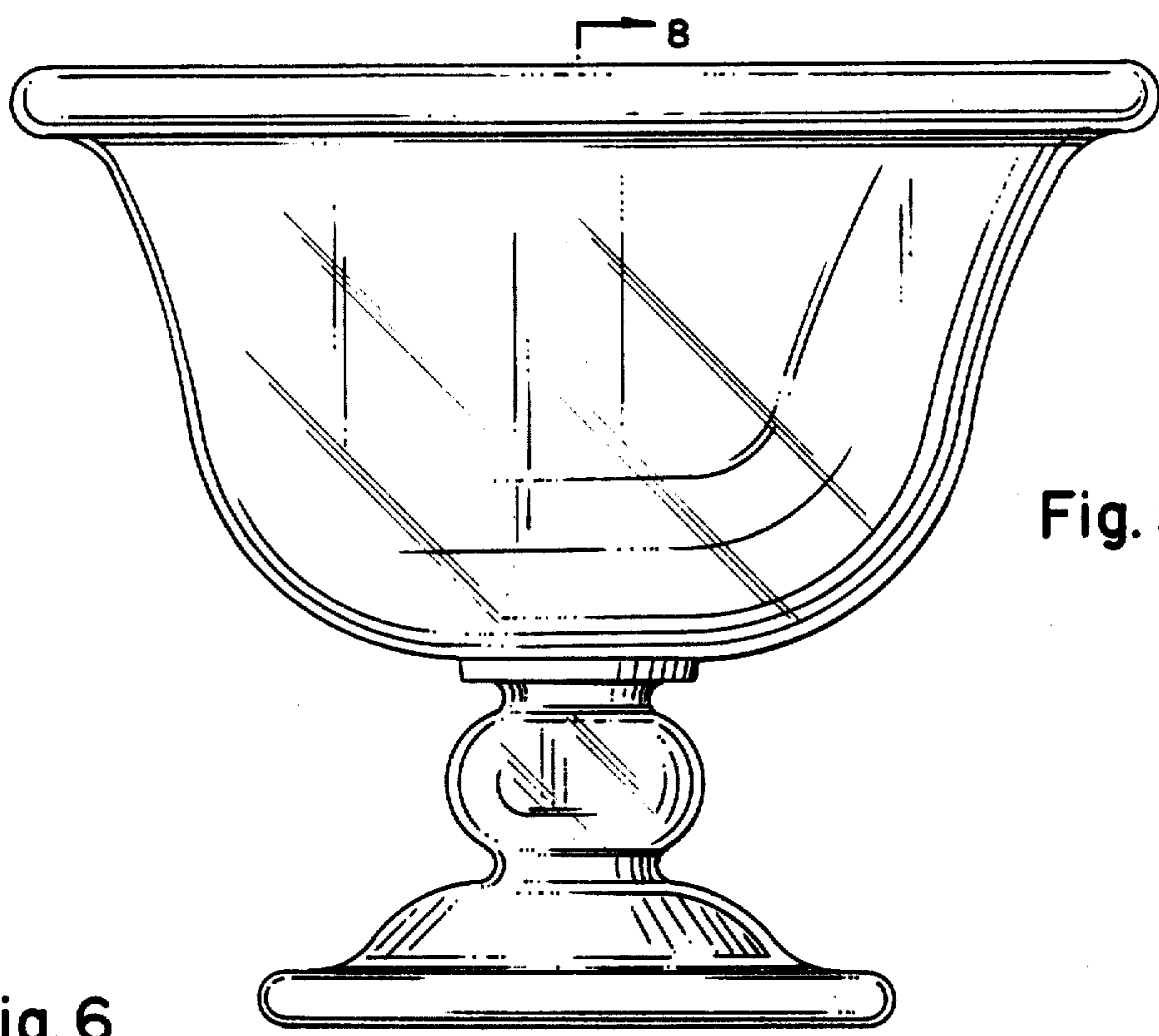


Fig. 5

Fig. 6

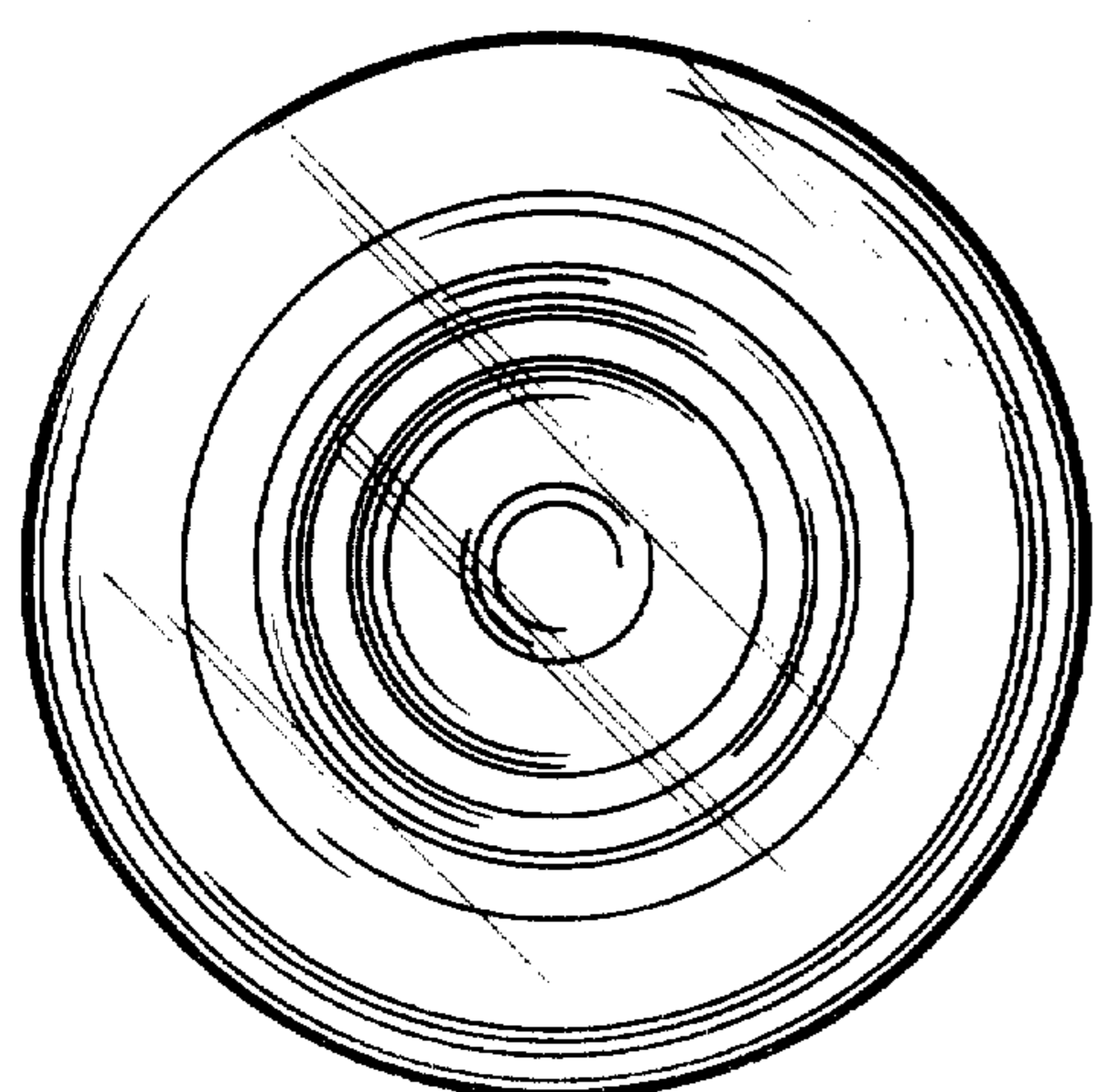
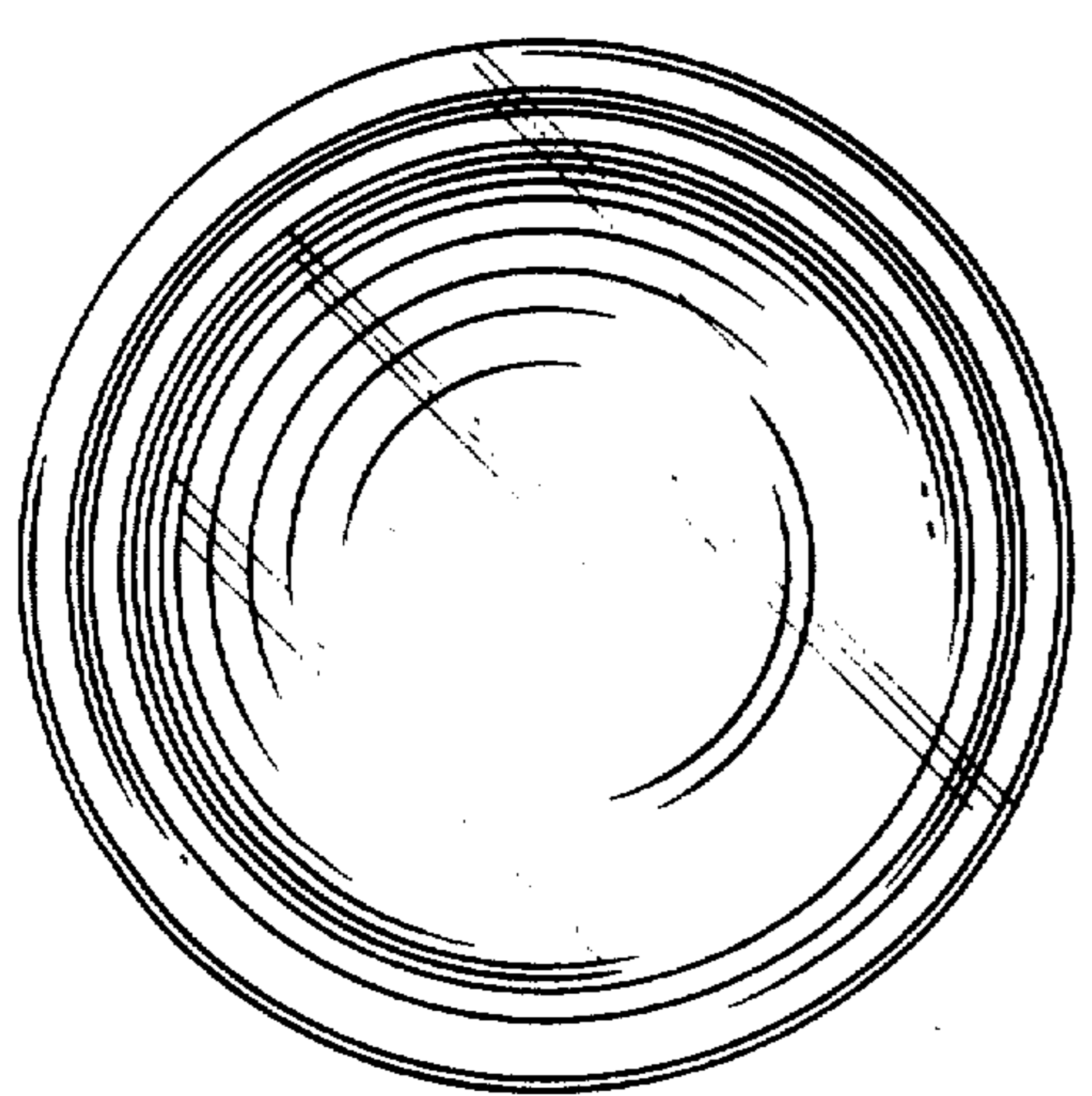


Fig. 7

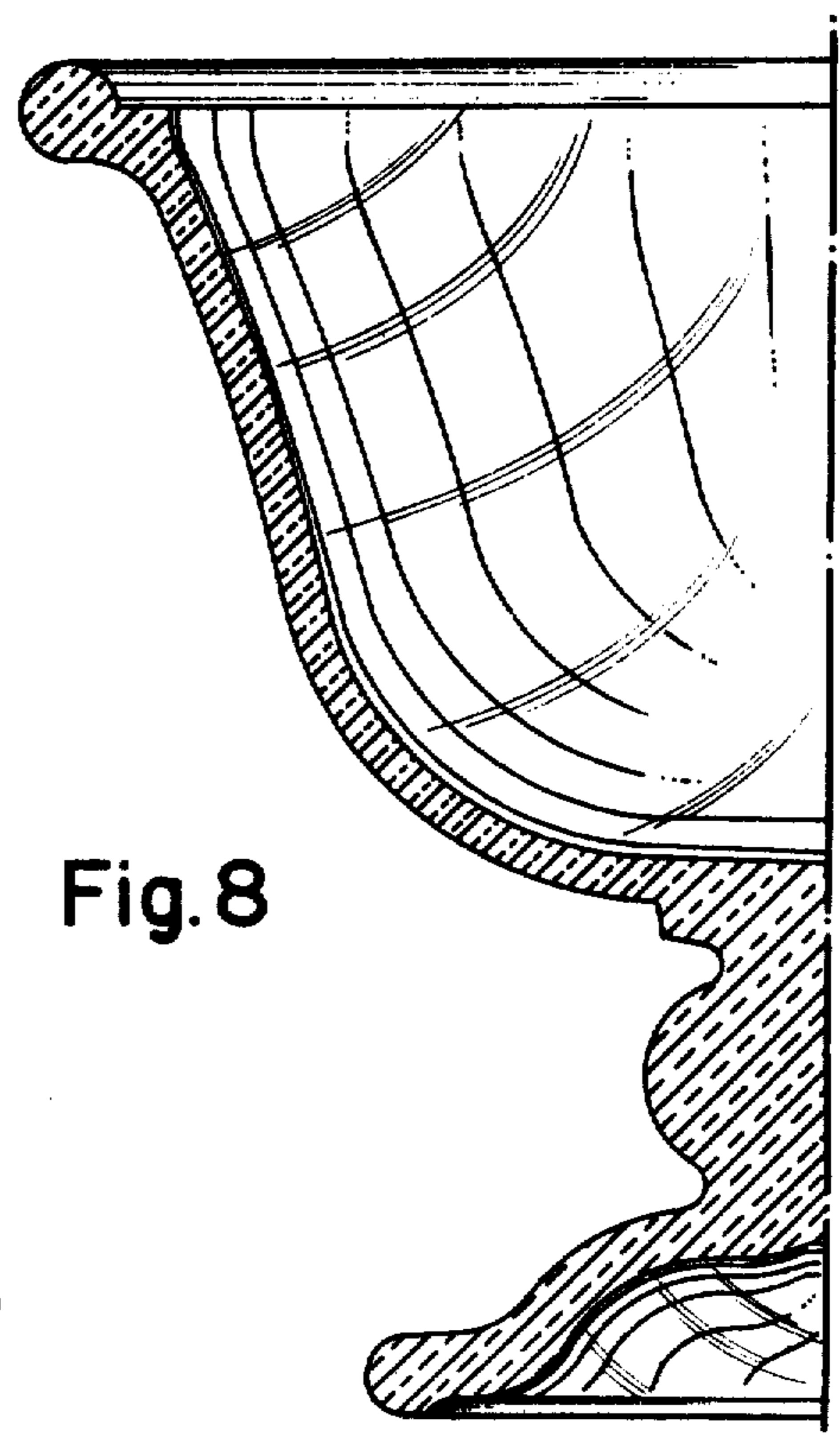


Fig. 8

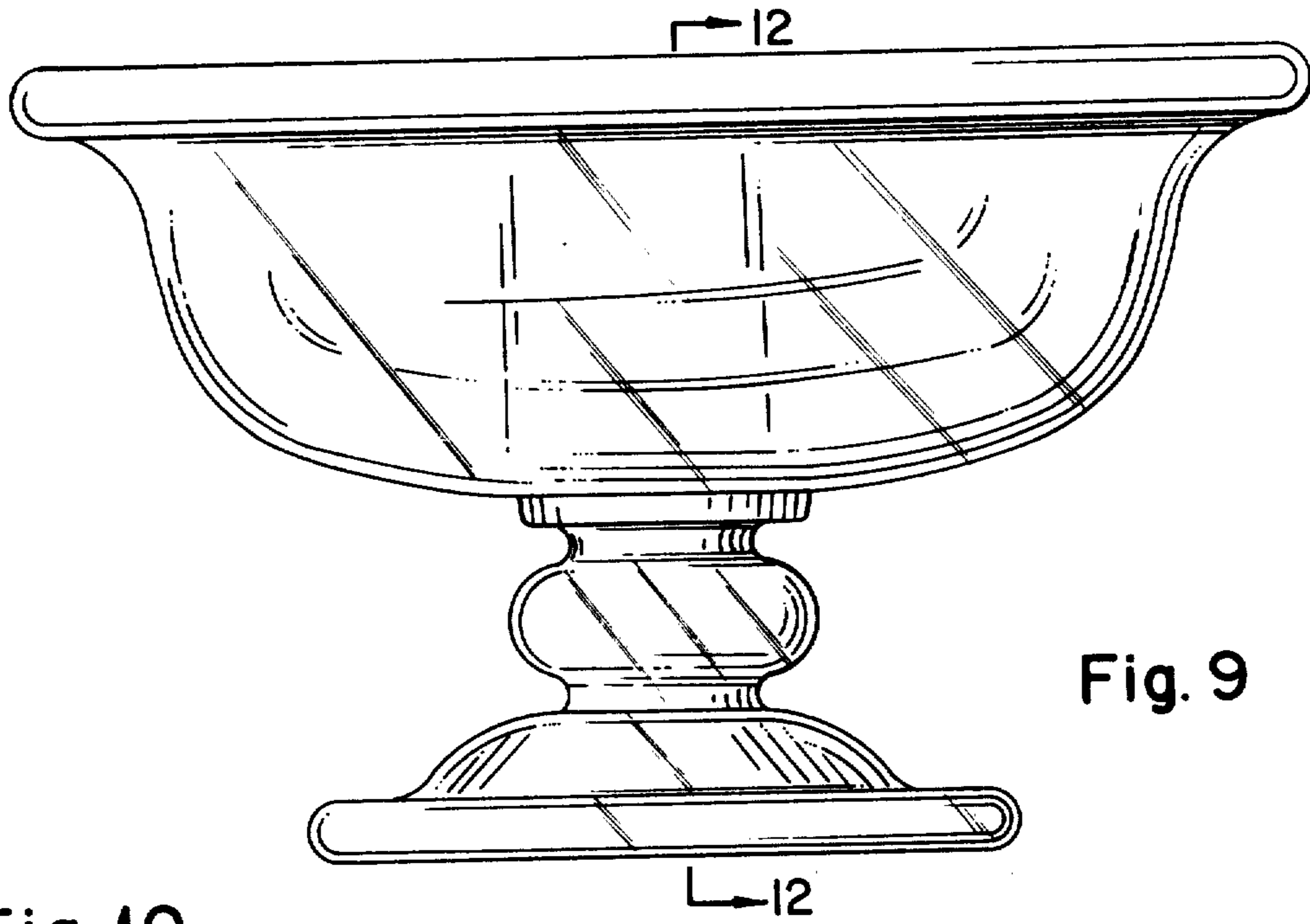
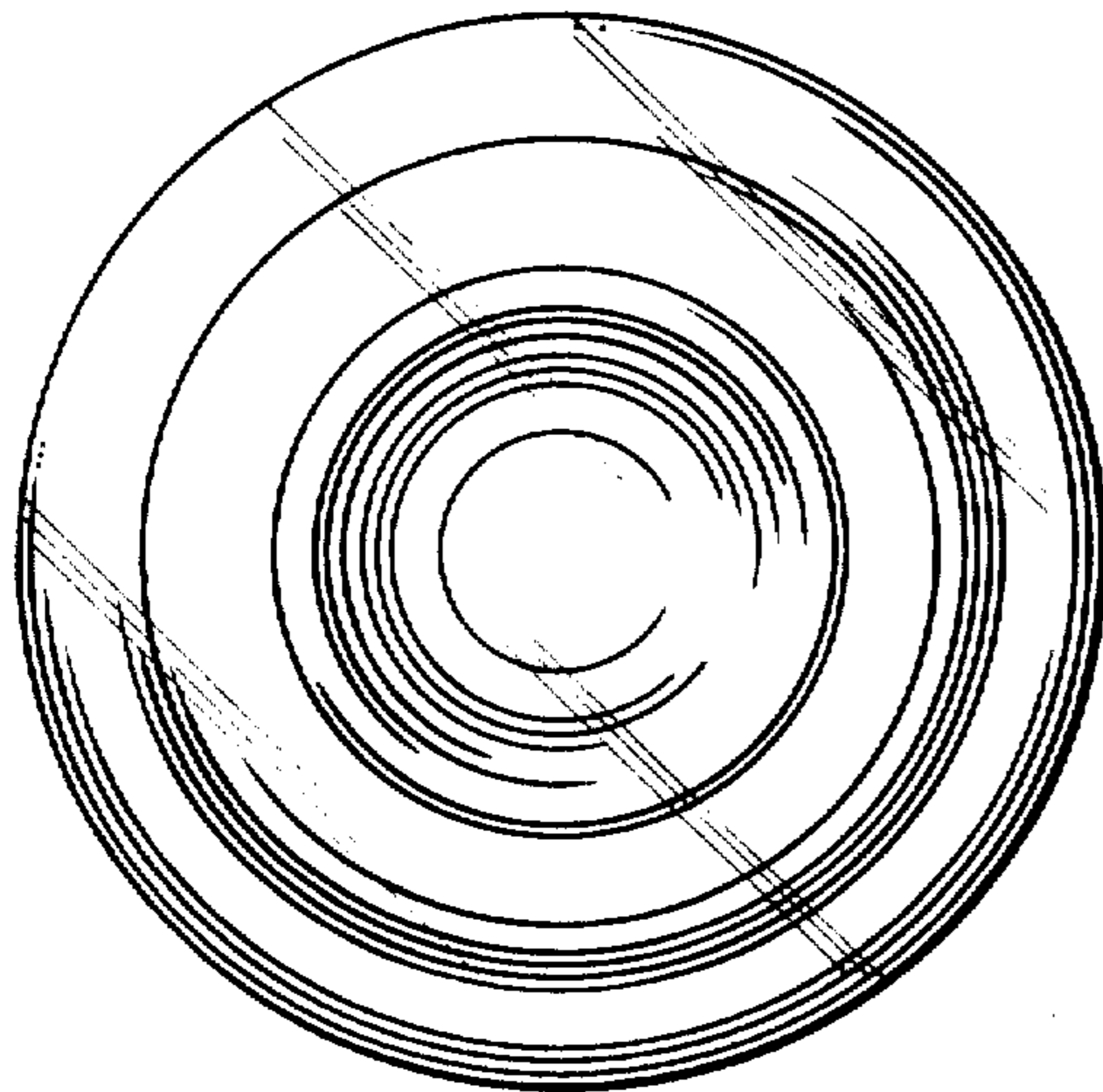
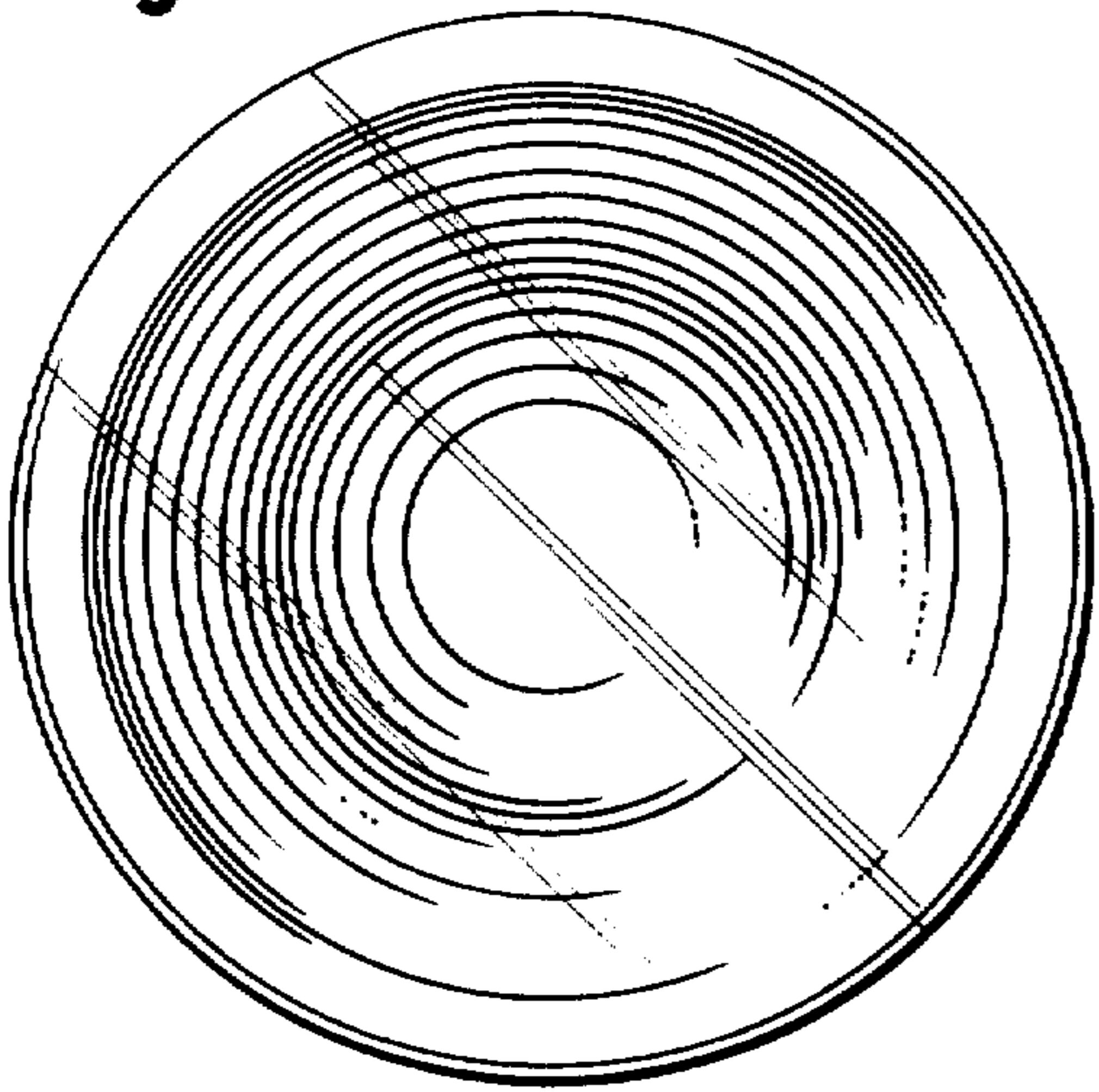


Fig. 9

Fig. 10



12

Fig. 12

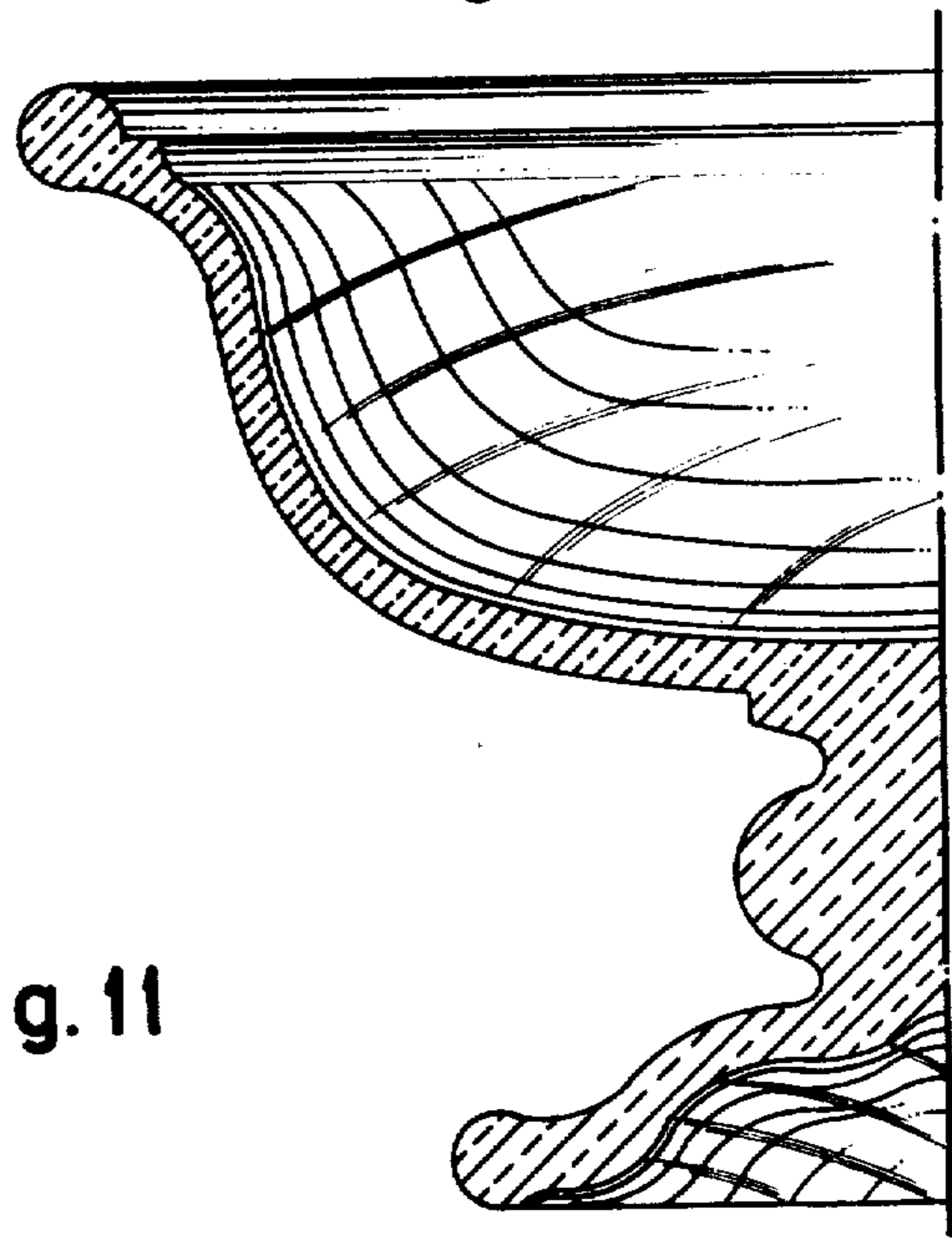


Fig. 11