

[54] TABLE

[75] Inventor: Enrico Tonucci, Pesaro, Italy

[73] Assignee: Fiam S.R.L., Tavullia, Italy

[**] Term: 14 Years

[21] Appl. No.: 244,633

[22] Filed: Mar. 17, 1981

[51] Int. Cl. D6-03

[52] U.S. Cl. D6/175

[58] Field of Search D6/27, 145, 146, 175,
D6/177, 178, 179

[56] References Cited

U.S. PATENT DOCUMENTS

- D. 28,647 5/1898 Lynch D6/20
- D. 114,767 5/1939 Robb D6/17
- D. 147,534 9/1947 Cutrow D6/175
- D. 242,006 10/1976 Faber D6/175

OTHER PUBLICATIONS

Interiors, May 1980, p. 103, Valet Stand in foreground by Pace.

Primary Examiner—Bruce W. Dunkins
Attorney, Agent, or Firm—Darby & Darby

[57] CLAIM

The ornamental design for a table, as shown and described.

DESCRIPTION

FIG. 1 is a perspective view of a table showing my new design;

FIG. 2 is a top plan view thereof;

FIG. 3 is a front view, the rear view being a mirror image thereof;

FIG. 4 is a bottom view thereof;

FIG. 5 is a side view, the opposite side view being a mirror image thereof.

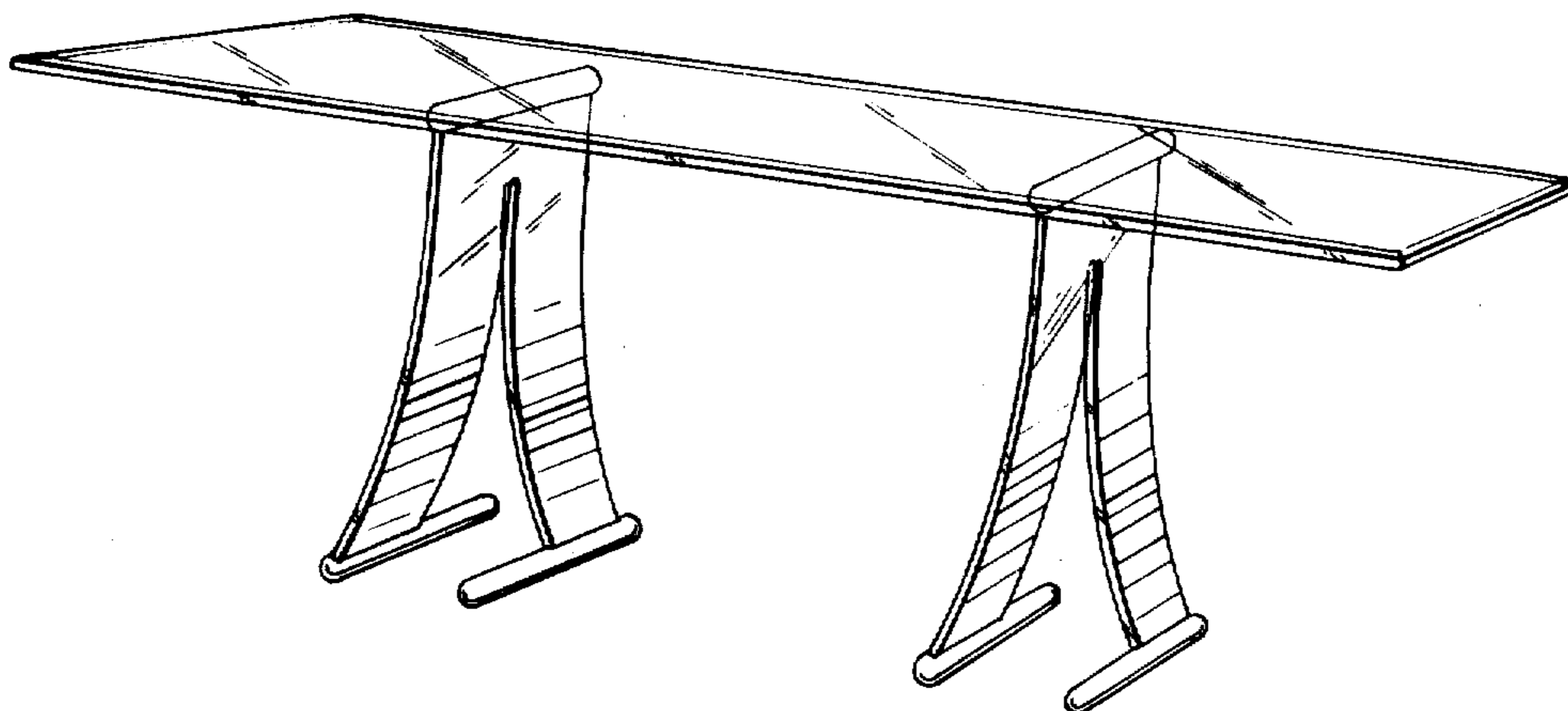


FIG. 1

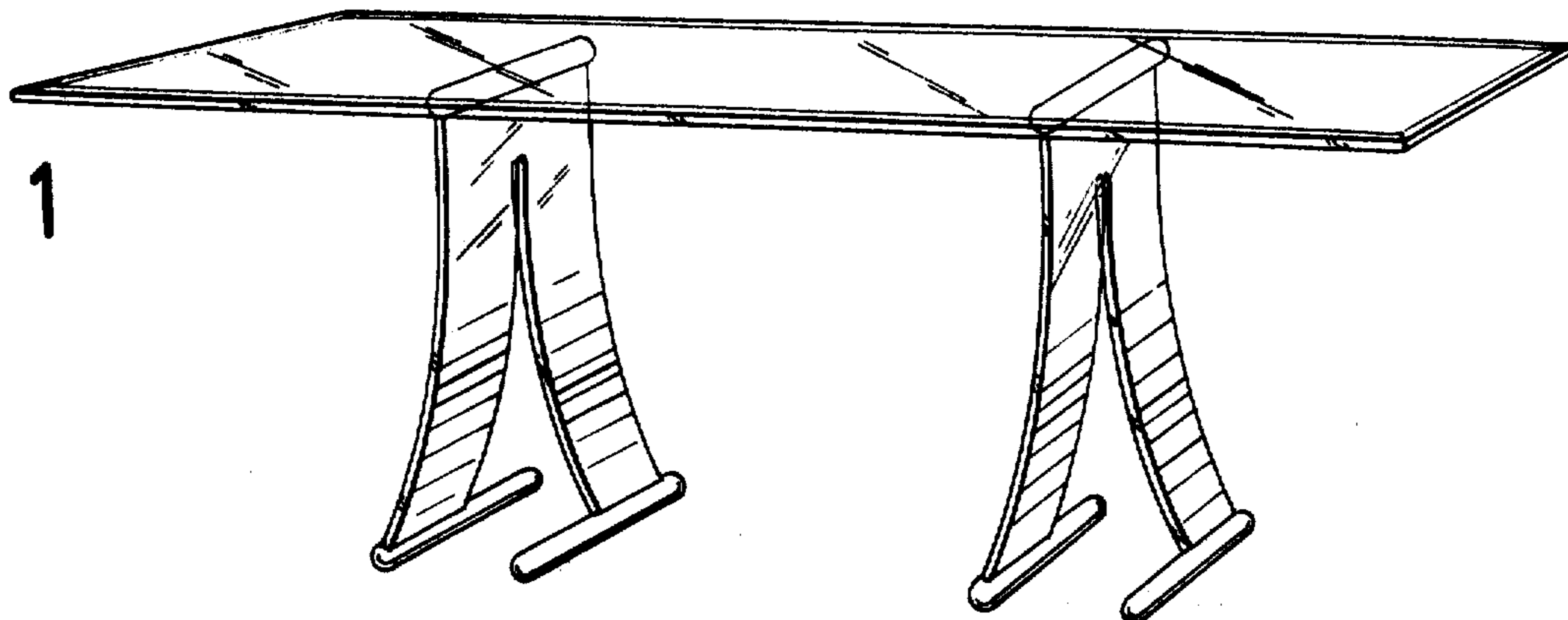


FIG. 2

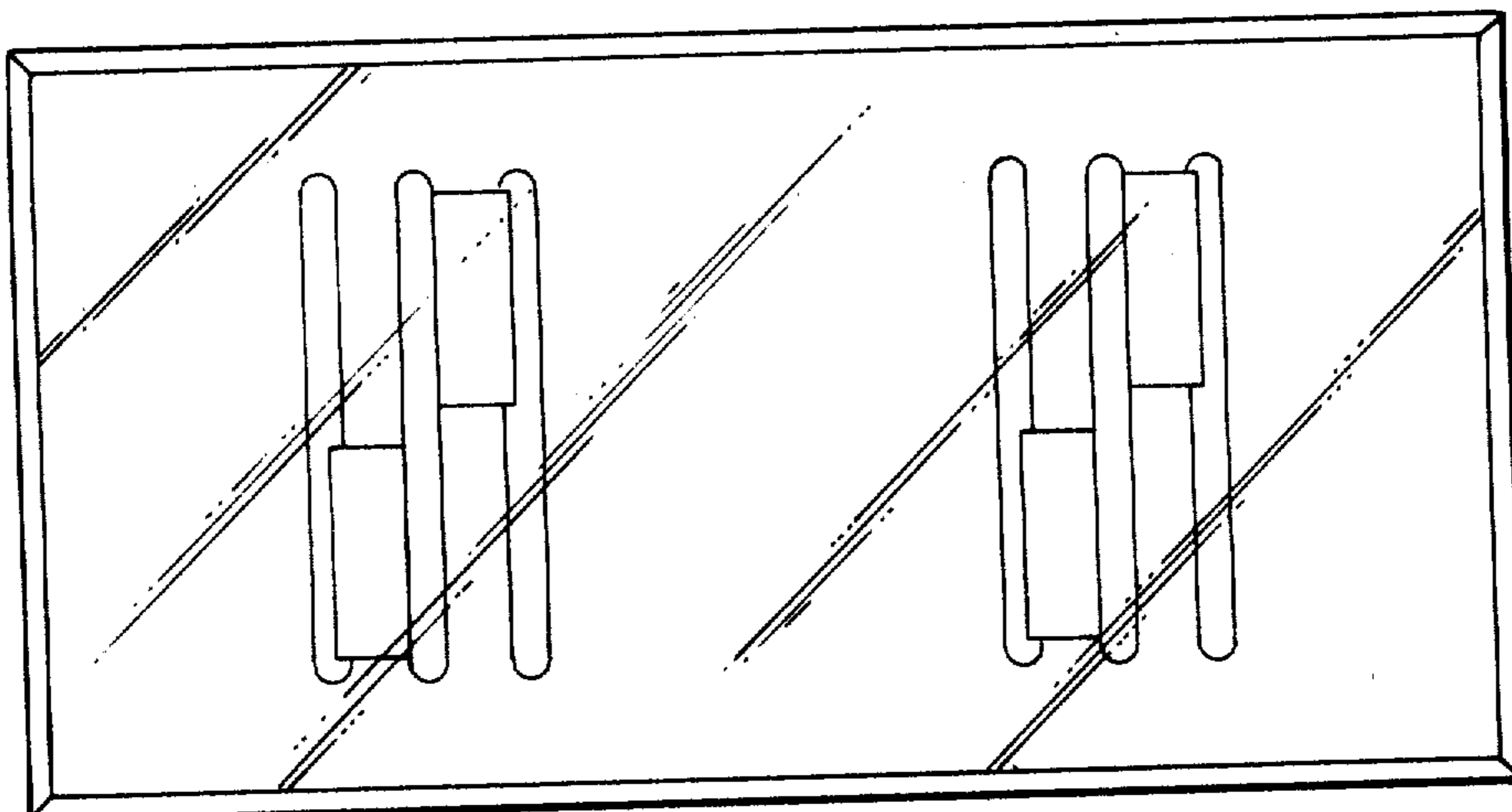


FIG. 3

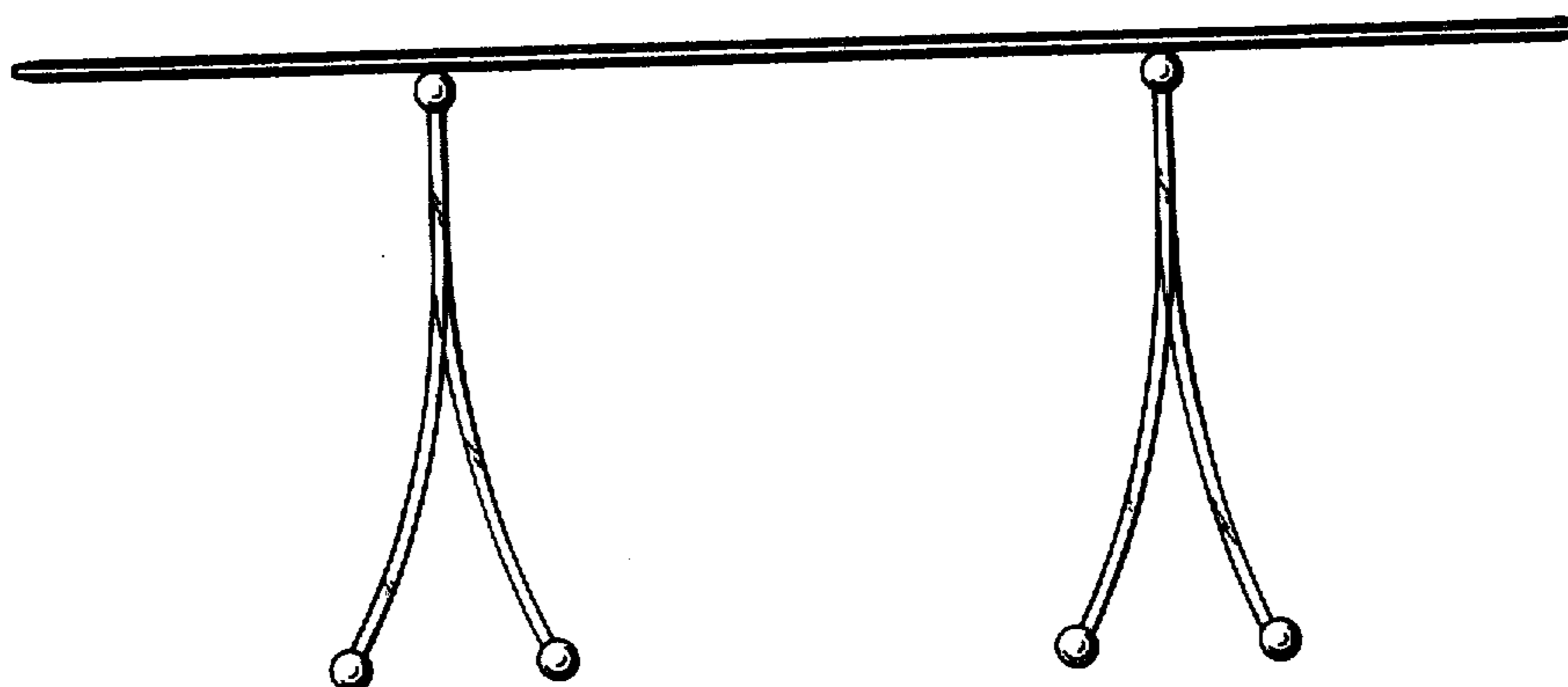


FIG. 4

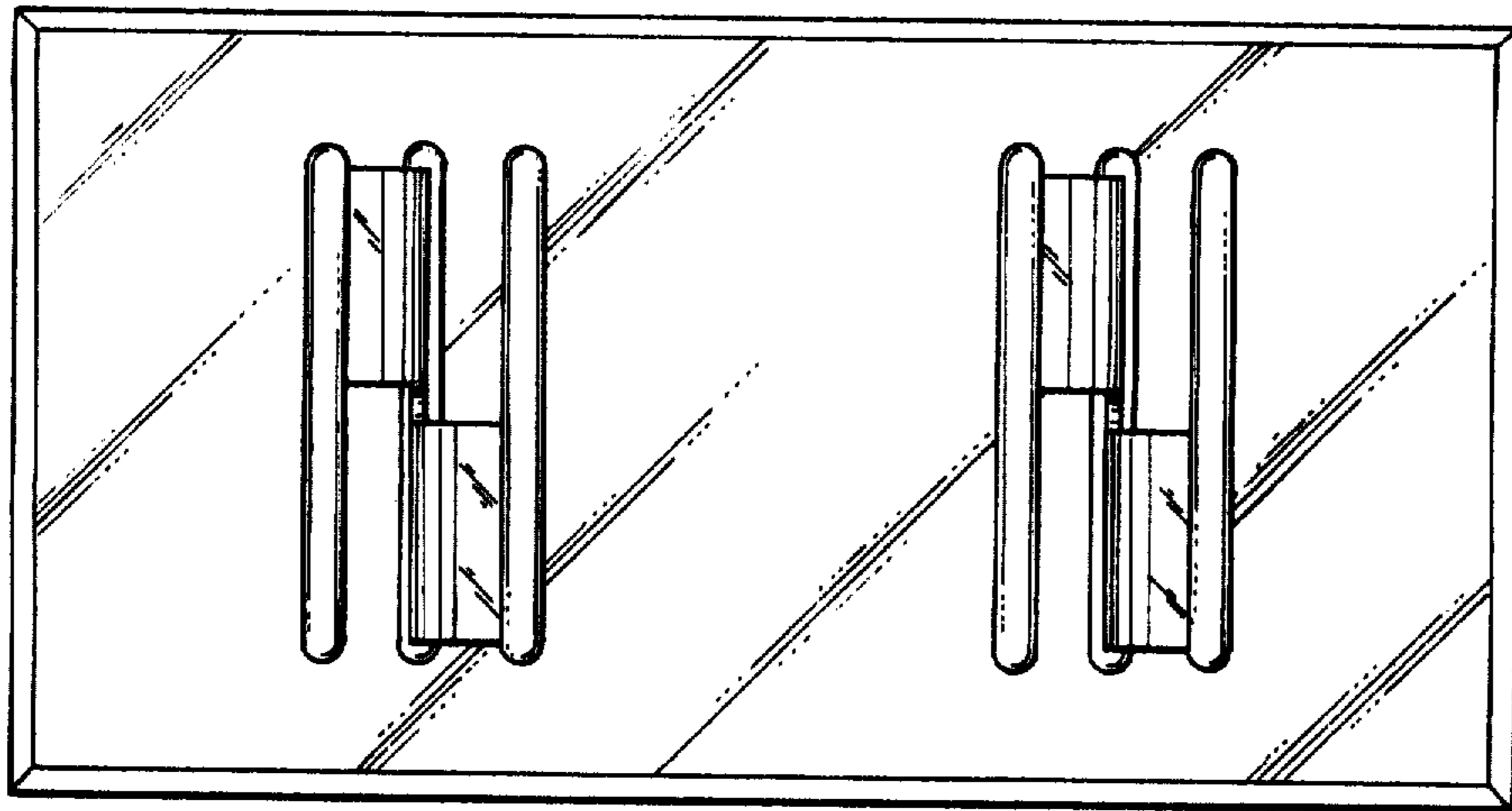


FIG. 5

