

[54] SEWING THREAD ORGANIZER

[75] Inventor: Ellen D. McCarn, Birmingham, Ala.

[73] Assignee: McCarn Industries, Inc., Birmingham, Ala.

[*] Notice: The portion of the term of this patent subsequent to Aug. 24, 1996 has been disclaimed.

[**] Term: 14 Years

[21] Appl. No.: 262,218

[22] Filed: May 11, 1981

[51] Int. Cl. D03-99

[52] U.S. Cl. D3/23

[58] Field of Search D3/18, 20, 23; 223/106-109; 206/63.3, 388

[56] References Cited

U.S. PATENT DOCUMENTS

- D. 251,059 2/1979 Montell D3/18 X
- D. 265,863 8/1982 McCarn D3/23

875,725	1/1908	Murphy	D3/18 X
1,388,561	8/1921	Grote	206/388
3,133,636	5/1964	Wiley	206/388
4,258,843	3/1981	Wymer	206/63.3

Primary Examiner—Joel Stearman

Assistant Examiner—Carmen H. Vales

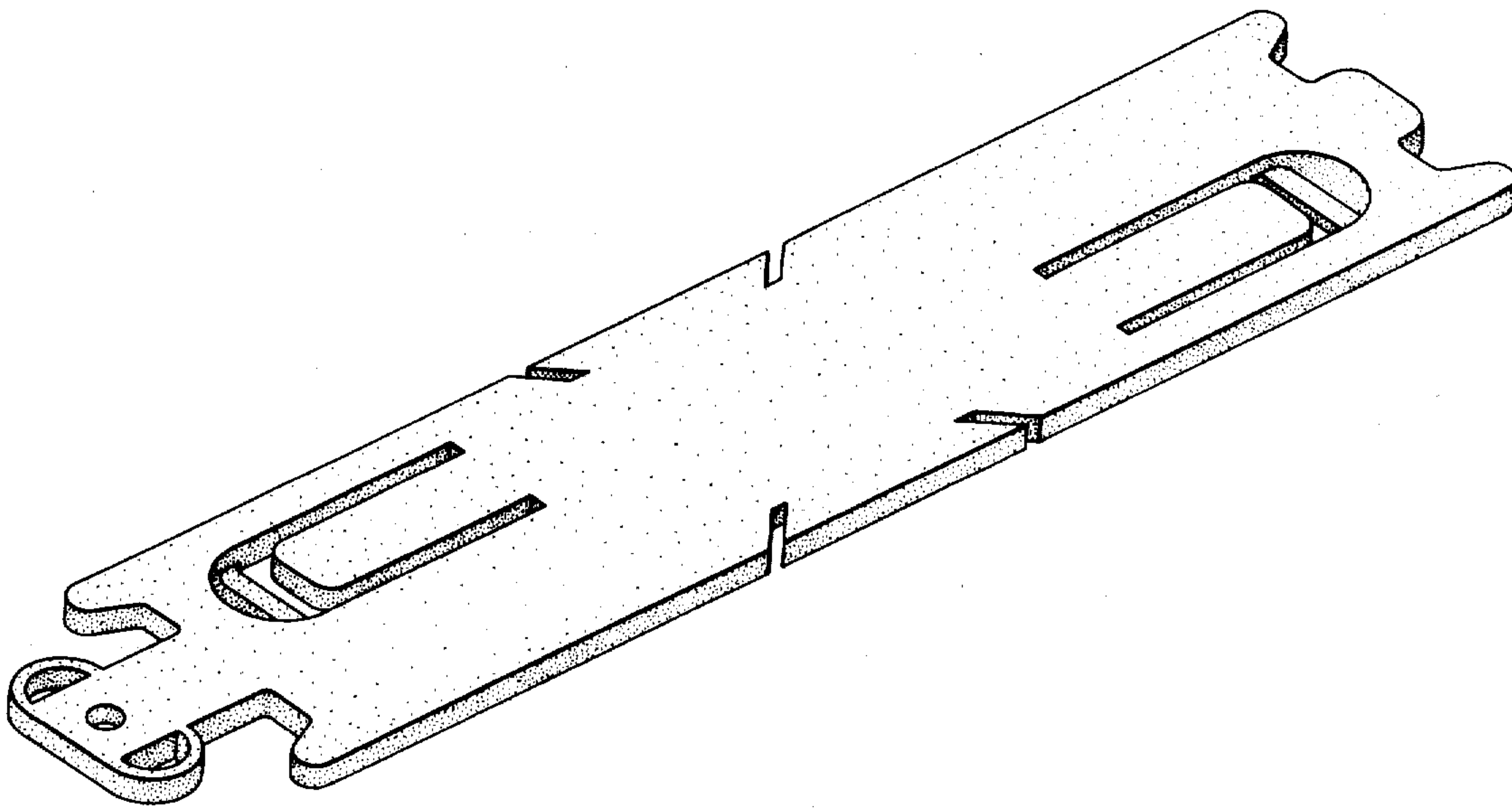
Attorney, Agent, or Firm—Woodford R. Thompson, Jr.

[57] CLAIM

The ornamental design for a sewing thread organizer, as shown and described.

DESCRIPTION

FIG. 1 is a perspective view of a sewing thread organizer showing my new design;
 FIG. 2 is a top plan view thereof;
 FIG. 3 is a bottom plan view thereof;
 FIG. 4 is a side elevational view, the opposite side being a mirror image thereof;
 FIG. 5 is a sectional view taken along the line 5—5 of FIG. 2;
 FIG. 6 is a left end elevational view thereof; and
 FIG. 7 is a right end elevational view thereof.



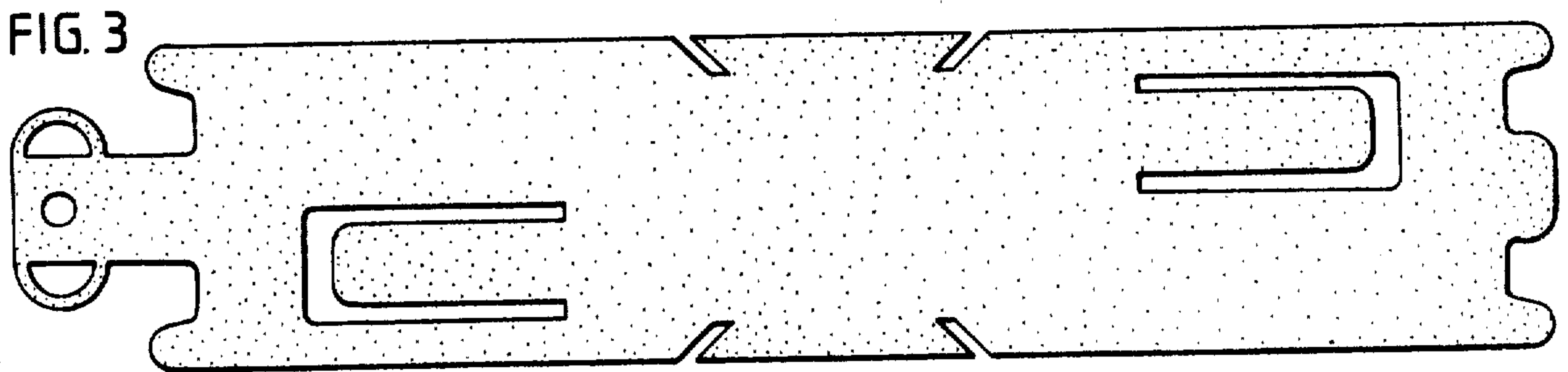
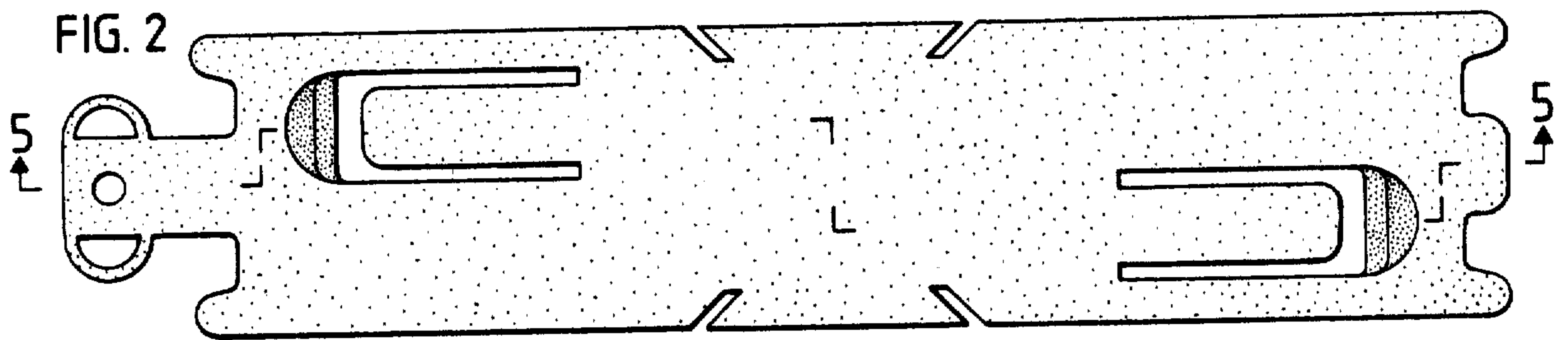
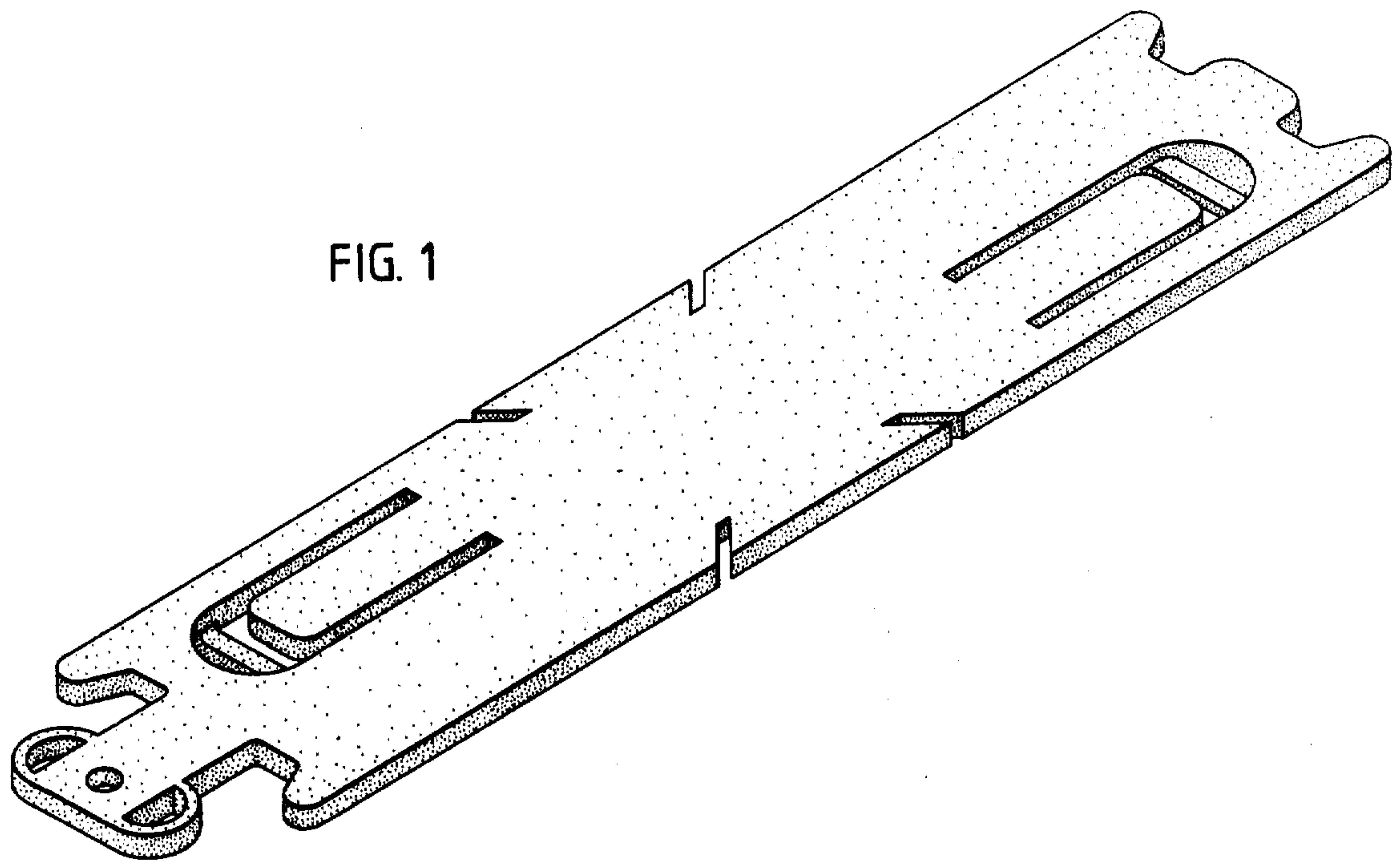


FIG. 4



FIG. 5



FIG. 6



FIG. 7