

[54] FAN

[76] Inventor: Arthur Scotto, 619 Shore Rd., N. Palm Beach, Fla. 33408

[\*\*] Term: 14 Years

[21] Appl. No.: 411,614

[22] Filed: Aug. 26, 1982

[51] Int. Cl. .... D23-04

[52] U.S. Cl. .... D23/155

[58] Field of Search ..... D23/151-165; 415/125, 126, 146; 416/244; 417/234

[56] References Cited

U.S. PATENT DOCUMENTS

D. 164,114	7/1951	Jones	.....	D23/155
D. 165,832	2/1952	Franklin	.....	D23/156
D. 167,093	6/1952	Moore	.....	D23/156
D. 240,231	6/1976	Patton	.....	D23/155 X
2,667,301	1/1954	Lautner	.....	415/126
3,173,478	3/1965	Maycen	.....	416/244 X
3,481,534	12/1969	Price	.....	415/146

OTHER PUBLICATIONS

Masters 1958 Catalog, p. 31; items H & Q.  
Electrical Merchandising, Jul. 1, 1947, p. 30.  
Electrical Merchandising, Mar. 1, 1948, p. 156, "Astor Heater" item.

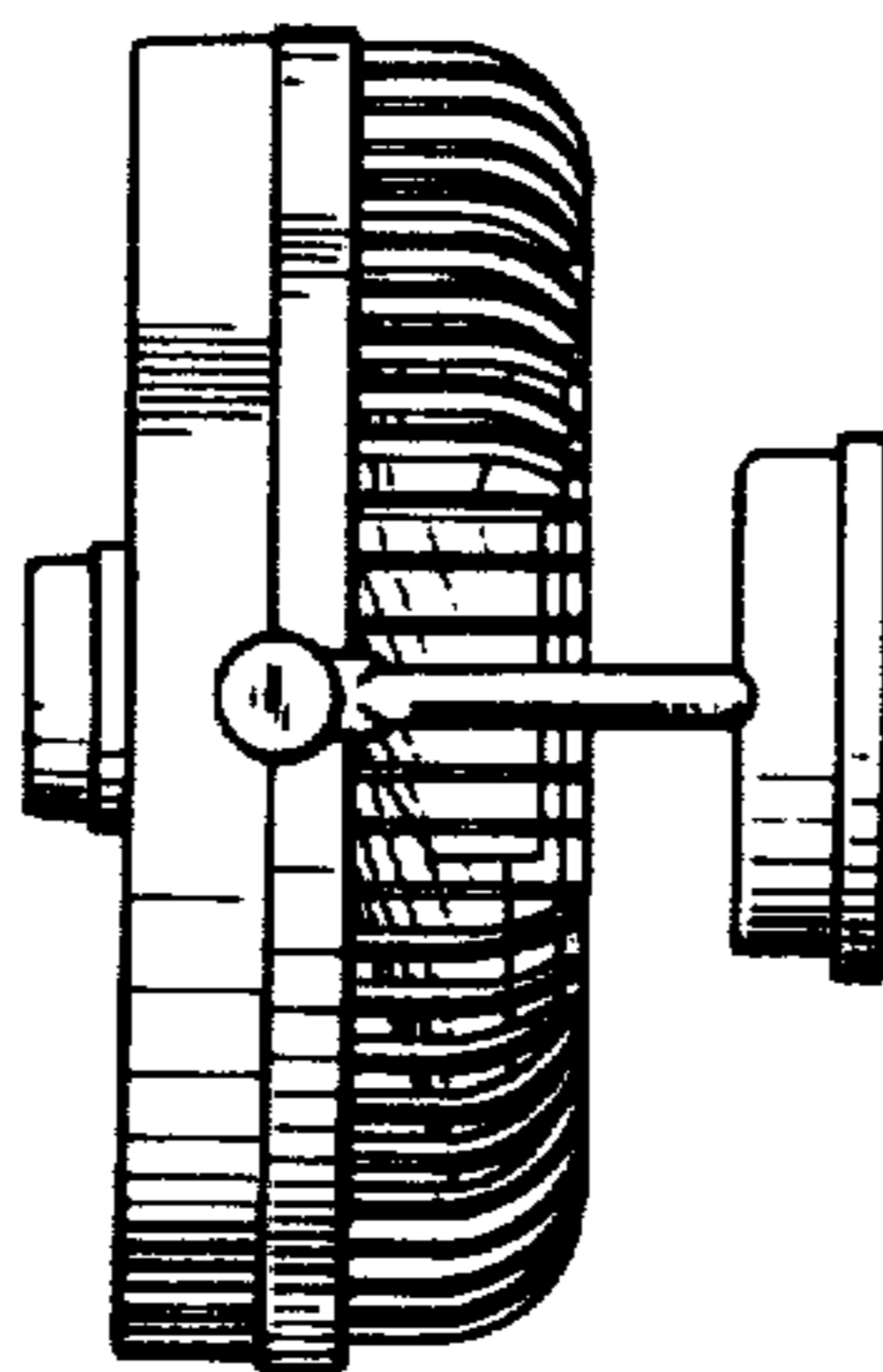
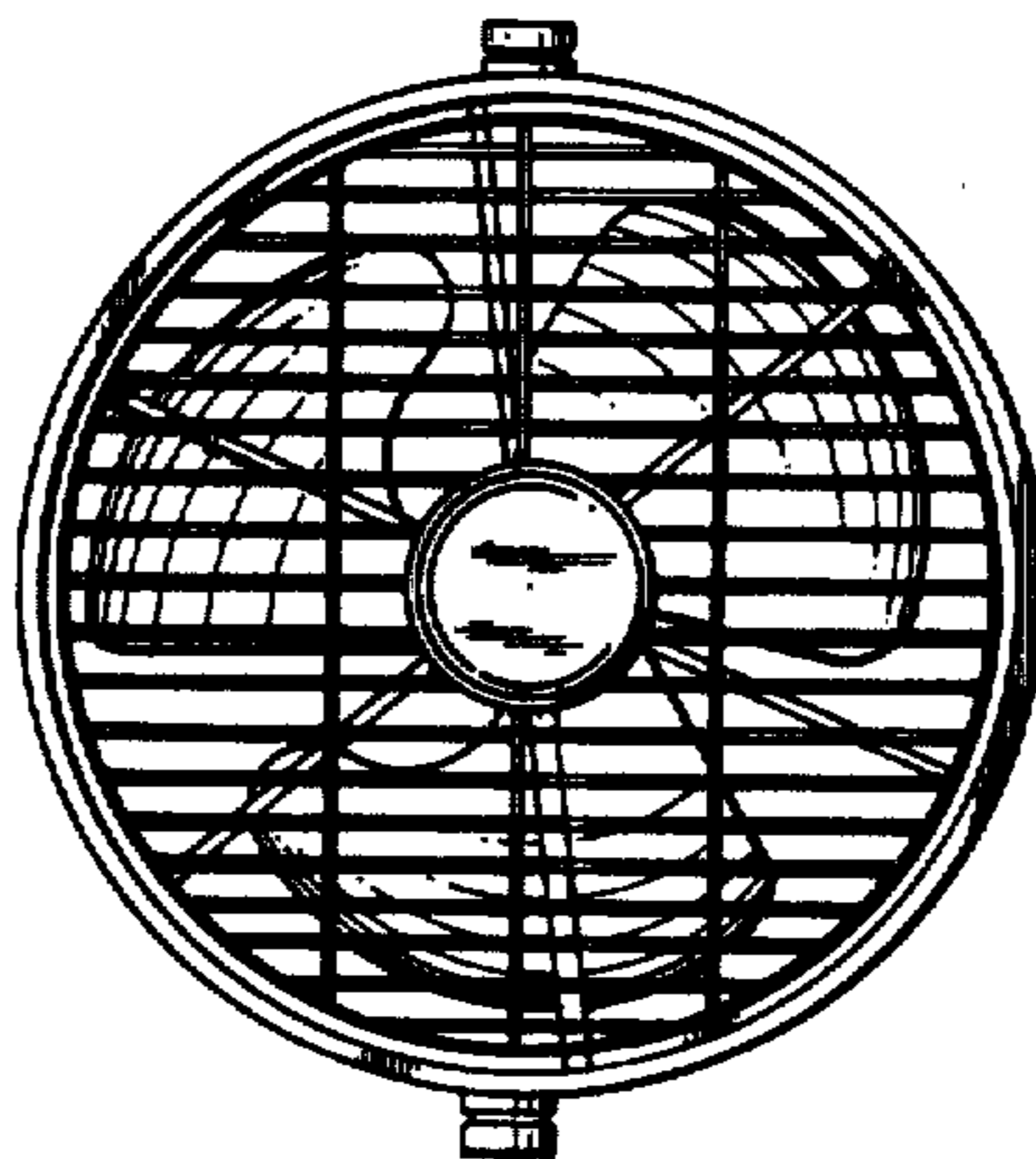
Primary Examiner—James R. Largen  
Attorney, Agent, or Firm—Eugene F. Malin

[57] CLAIM

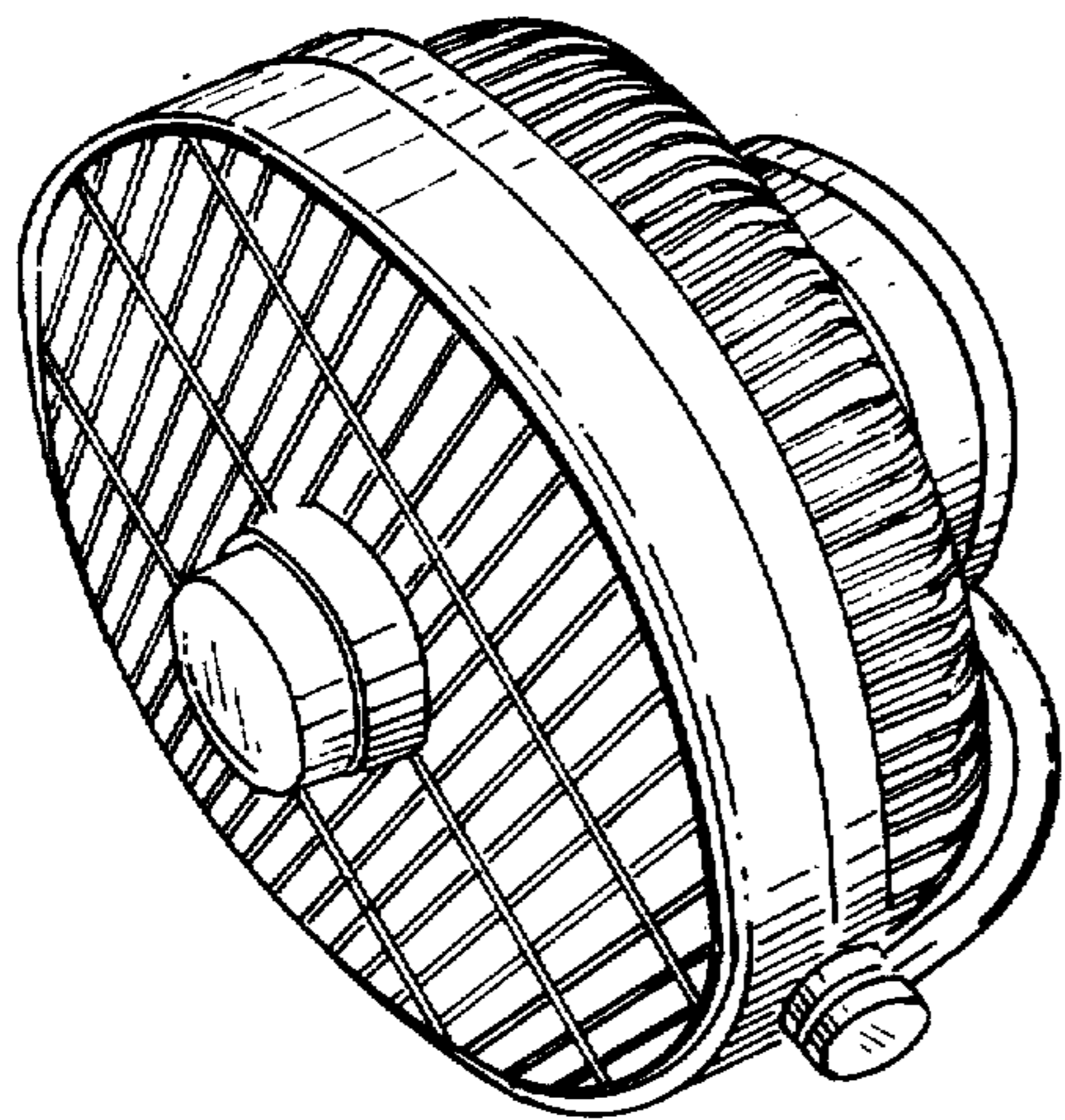
The ornamental design for a fan, as shown and described.

DESCRIPTION

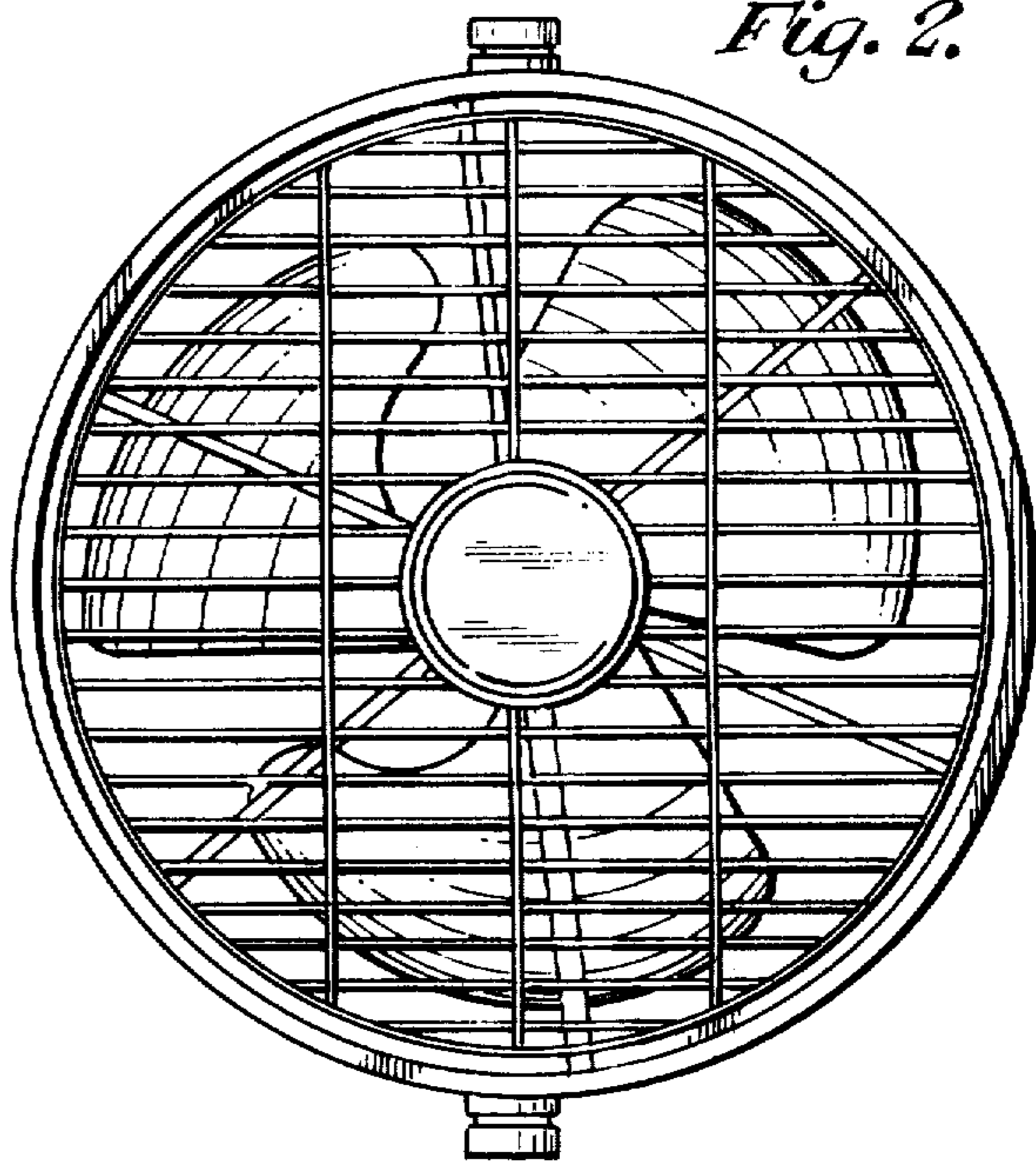
FIG. 1 is a perspective view taken from the top, front and right side of a fan showing my new design; FIG. 2 is a front elevational view thereof; FIG. 3 is an elevational view taken from one side thereof, the opposite side being the same as the side shown; FIG. 4 is a rear elevational view thereof; and FIG. 5 is another side elevational view taken 90 degrees from the side shown in FIG. 3, the opposite side being the same as the side shown.



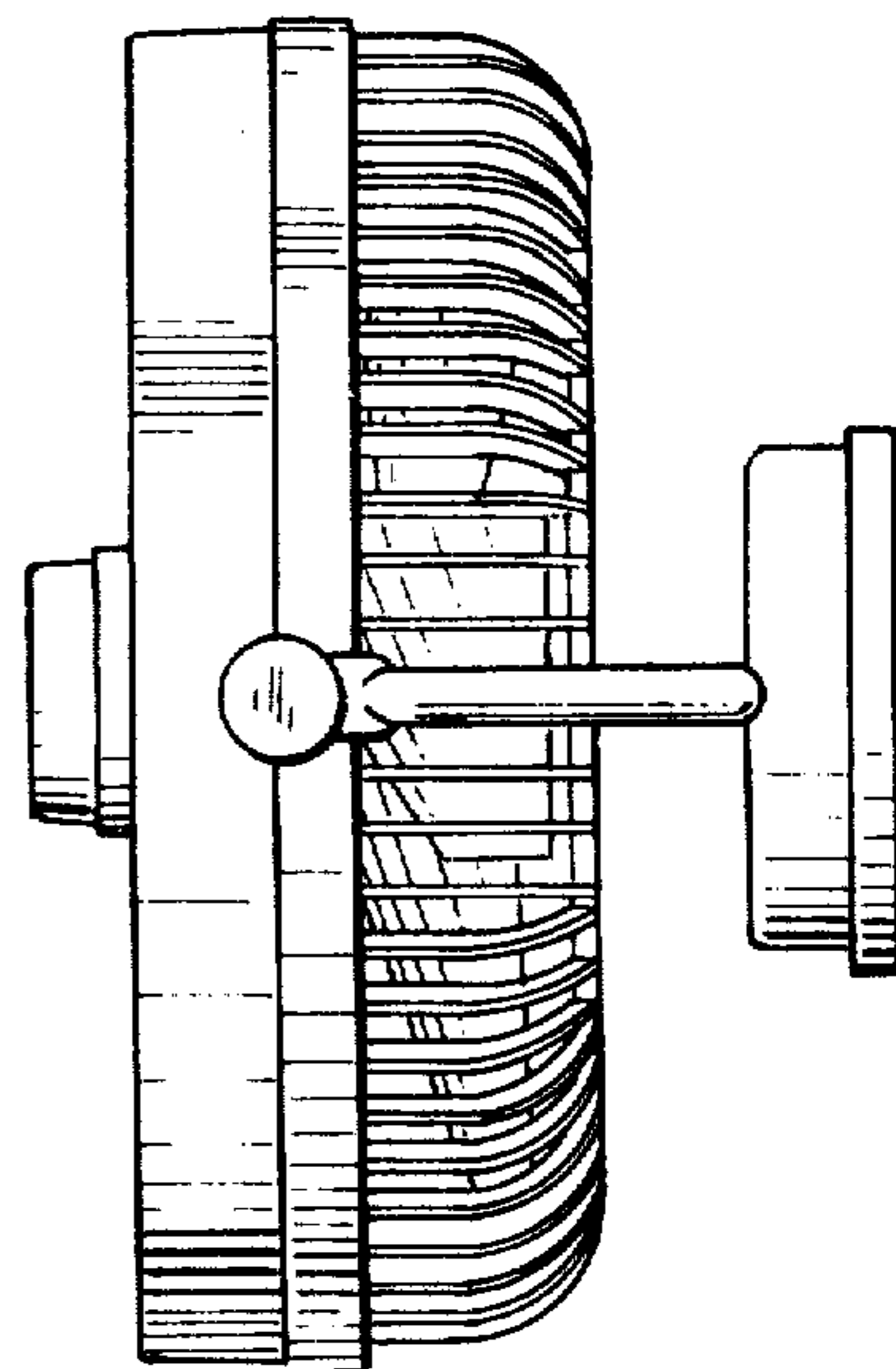
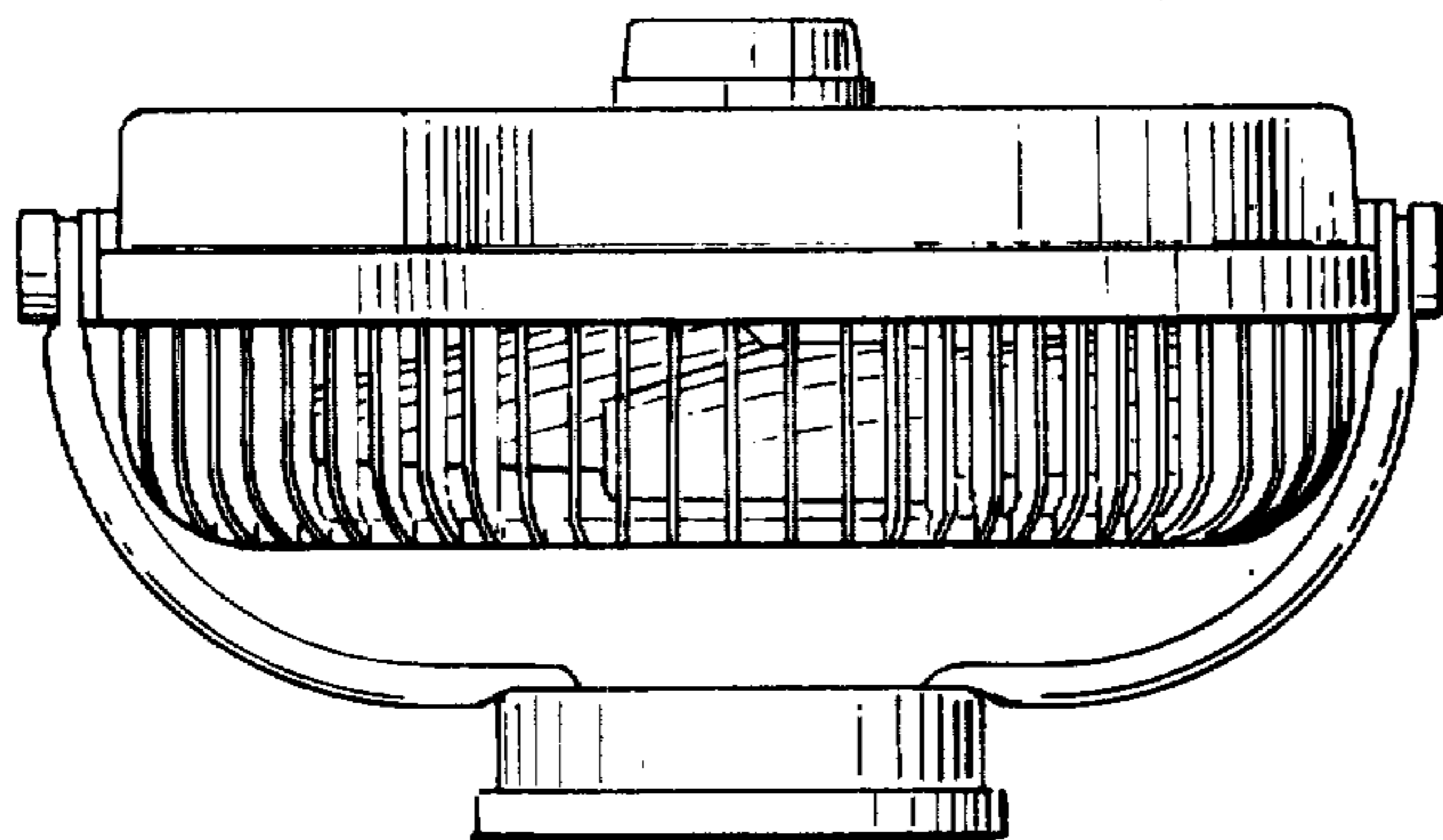
*Fig. 1.*



*Fig. 2.*



*Fig. 3.*



*Fig. 5.*

*Fig. 4.*

