

[54] EVAPORATIVE COOLER

[76] Inventor: Julian K. Pettengill, 4243 W. Ironwood, Phoenix, Ariz. 85021

[**] Term: 14 Years

[21] Appl. No.: 250,832

[22] Filed: Apr. 3, 1981

[51] Int. Cl. D23-04

[52] U.S. Cl. D23/139

[58] Field of Search D23/139-154; 62/310, DIG. 16; 261/29, 106

[56] References Cited

U.S. PATENT DOCUMENTS

D. 213,695	4/1969	Soroos	D23/139
D. 227,986	7/1973	Schaffer	D23/139
D. 244,294	5/1977	Glasoe	D23/153
D. 256,388	8/1980	Harrell	D23/139
D. 258,757	3/1981	Jordan	D23/139

D. 259,206	5/1981	Parren	D23/139
3,742,659	7/1973	Drew	62/DIG. 16 X
4,026,971	5/1977	Glasoe	261/29
4,043,777	8/1977	Parren	62/DIG. 16 X
4,132,087	1/1979	Goettl	62/DIG. 16 X

Primary Examiner—James R. Largen
Attorney, Agent, or Firm—Don J. Flickinger

[57] CLAIM

The ornamental design for an evaporative cooler, as shown and described.

DESCRIPTION

FIG. 1 is a top perspective view of an evaporative cooler showing my new design therefor;
FIG. 2 is a left side elevational view thereof, the right side being a mirror image of the left side shown;
FIG. 3 is a bottom plan view thereof;
FIG. 4 is a top plan view thereof;
FIG. 5 is a front elevational view thereof; and
FIG. 6 is a rear elevational view thereof.

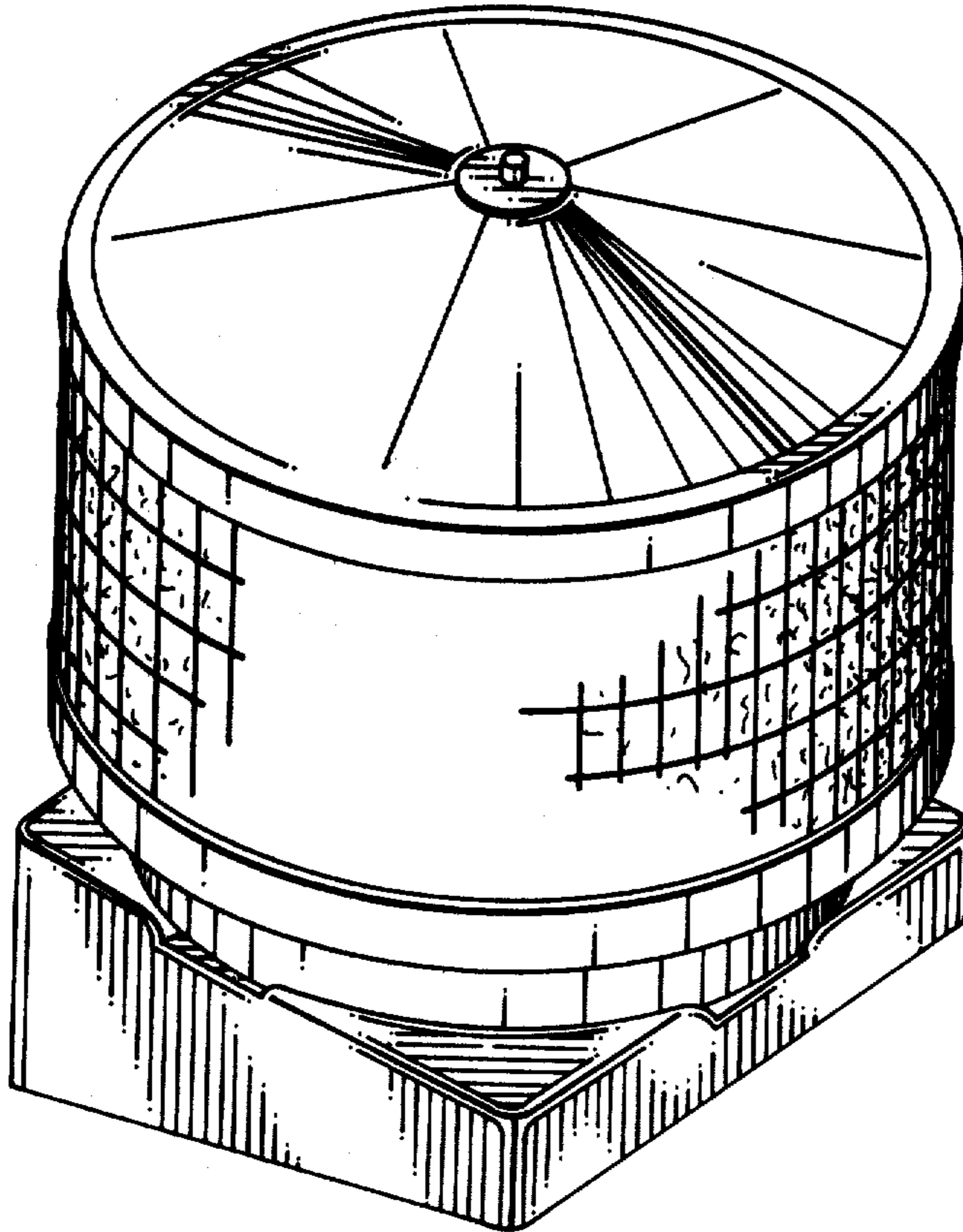


FIG. 1

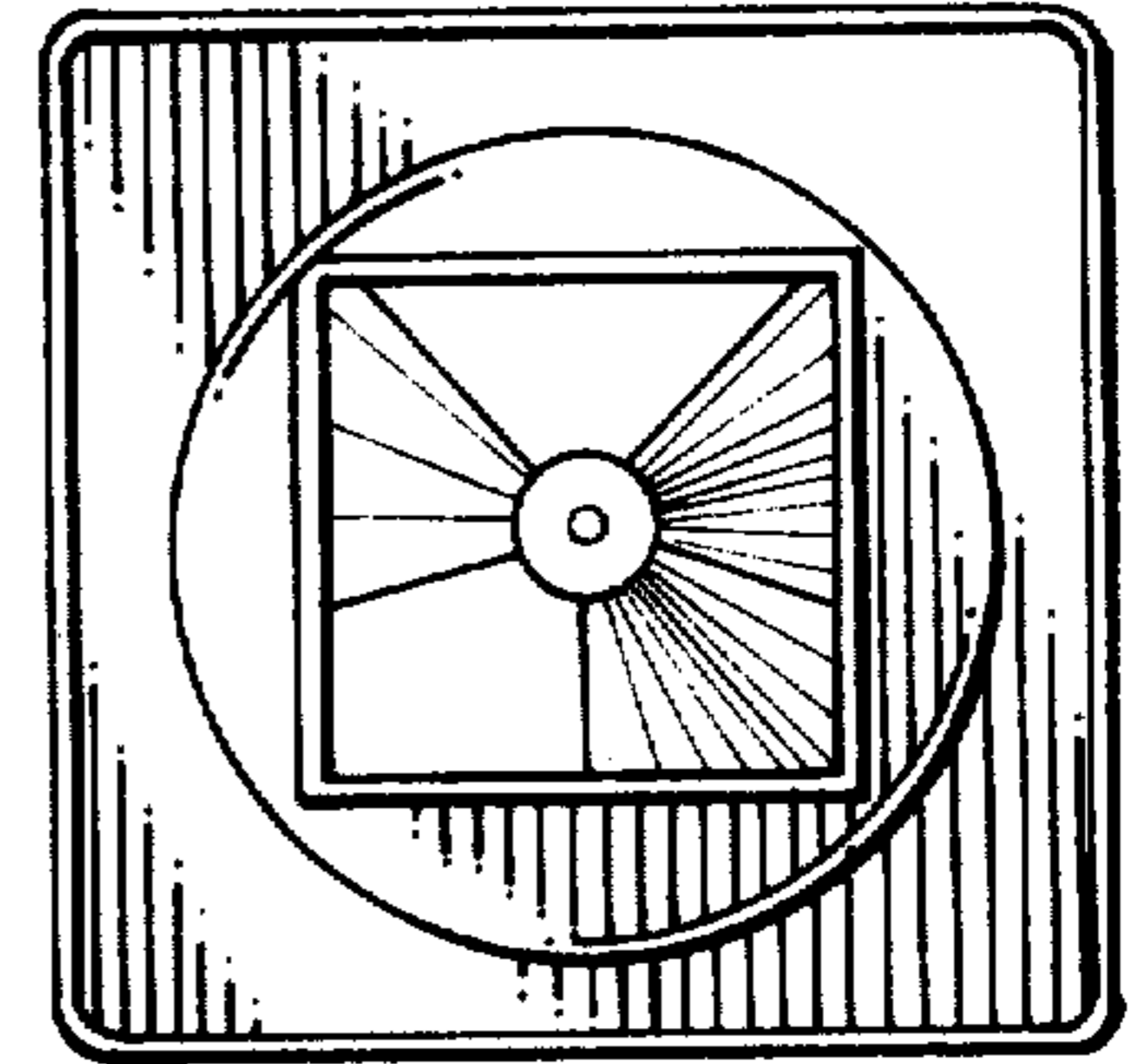
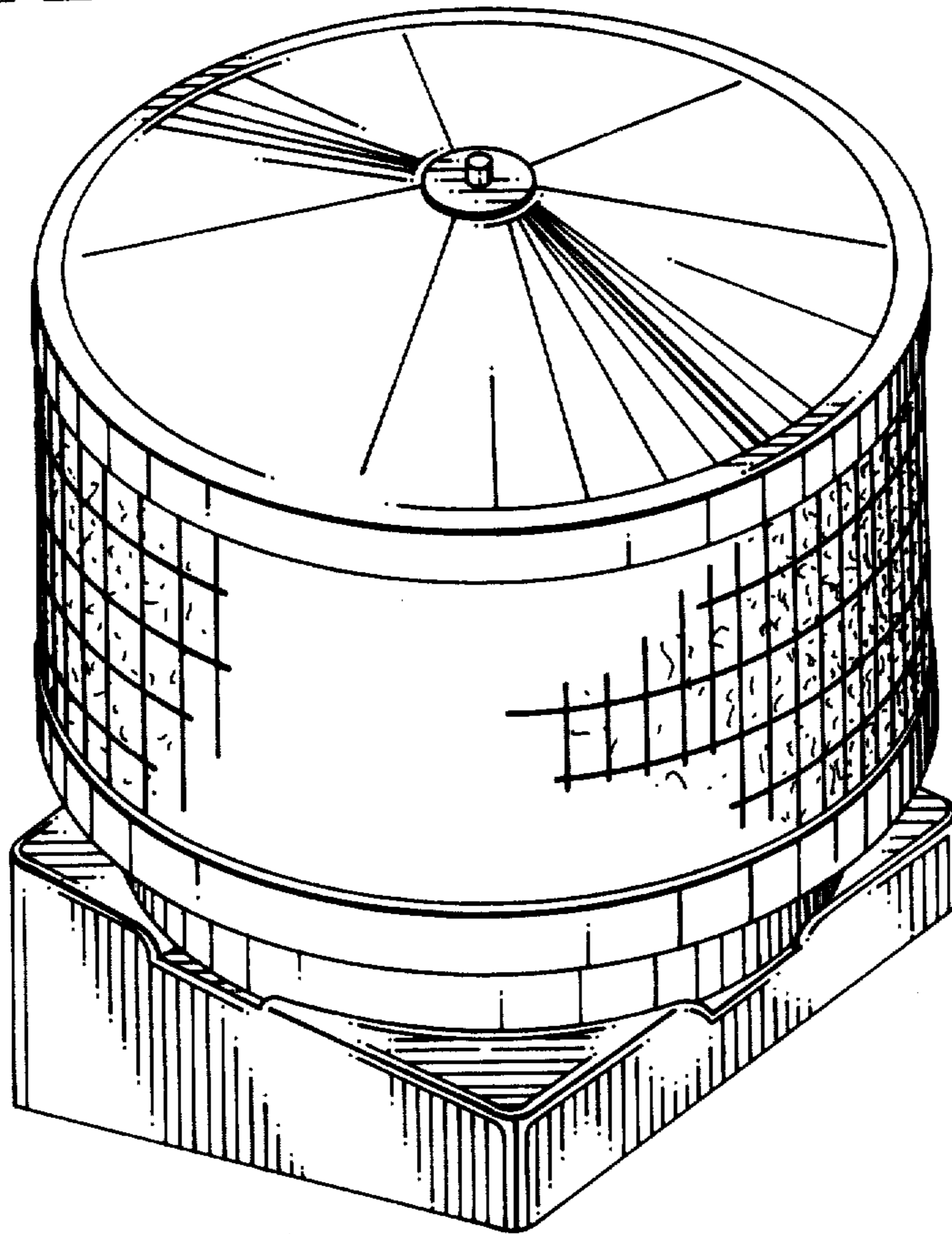


FIG. 3

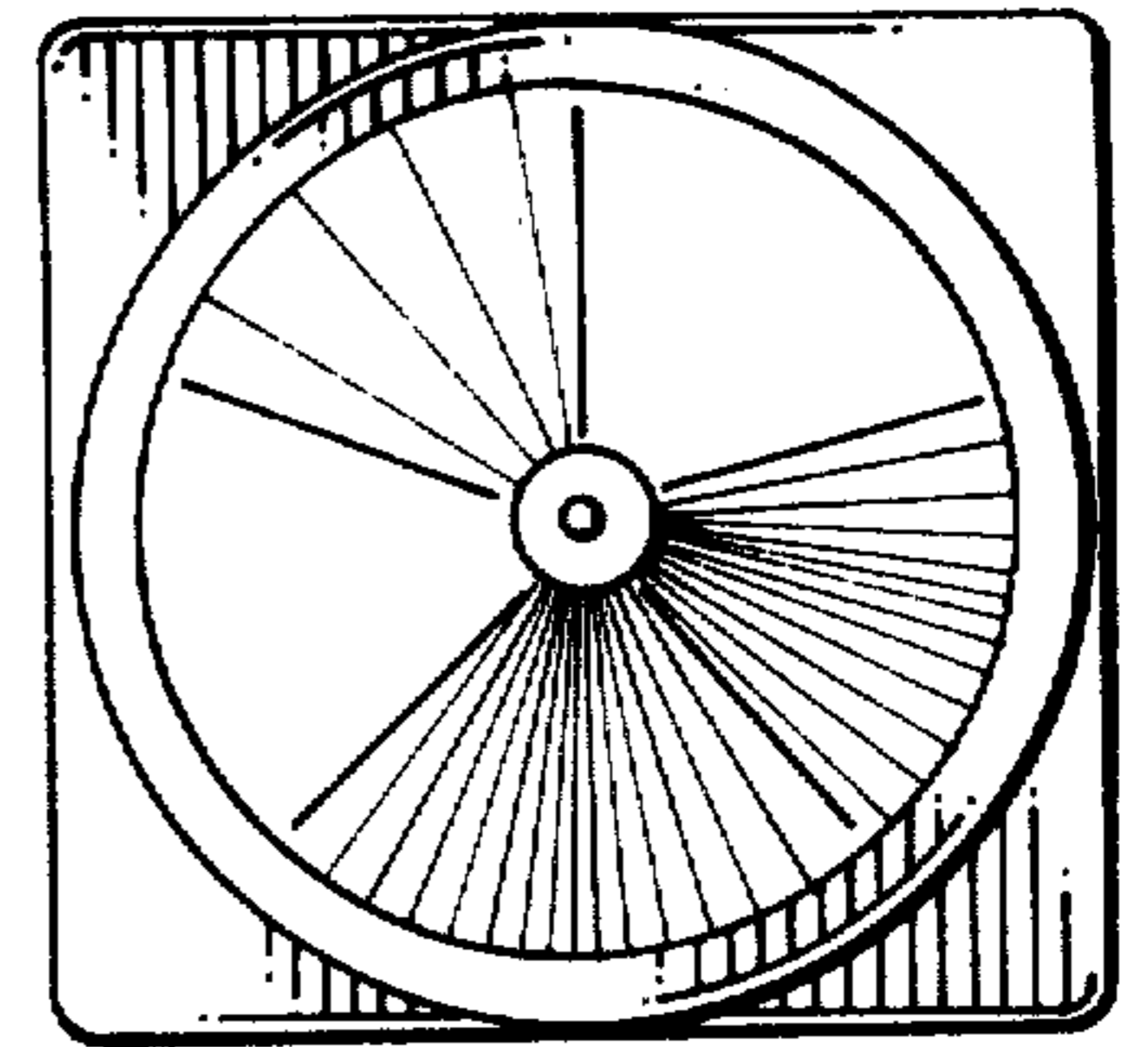


FIG. 4

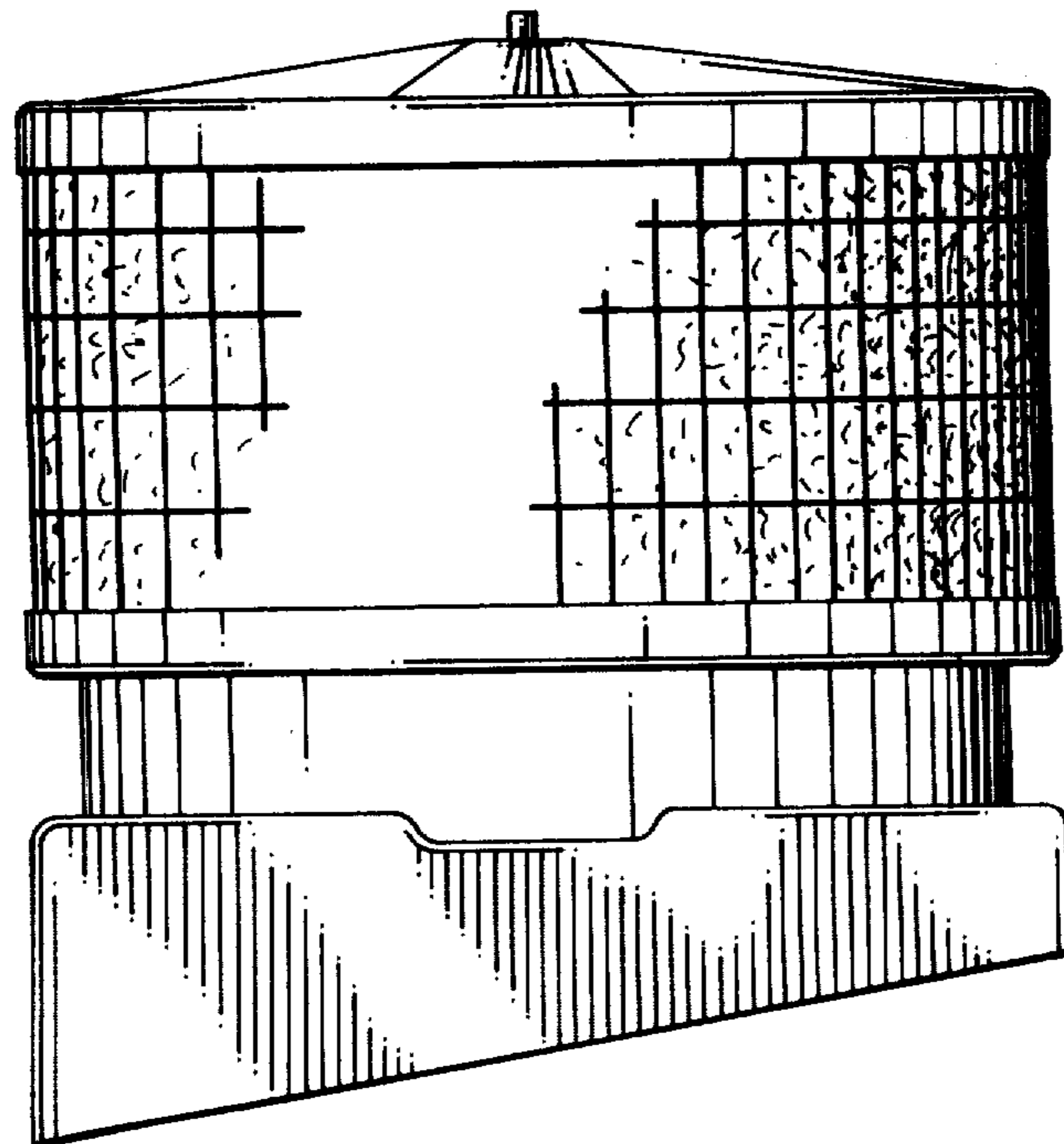


FIG. 2

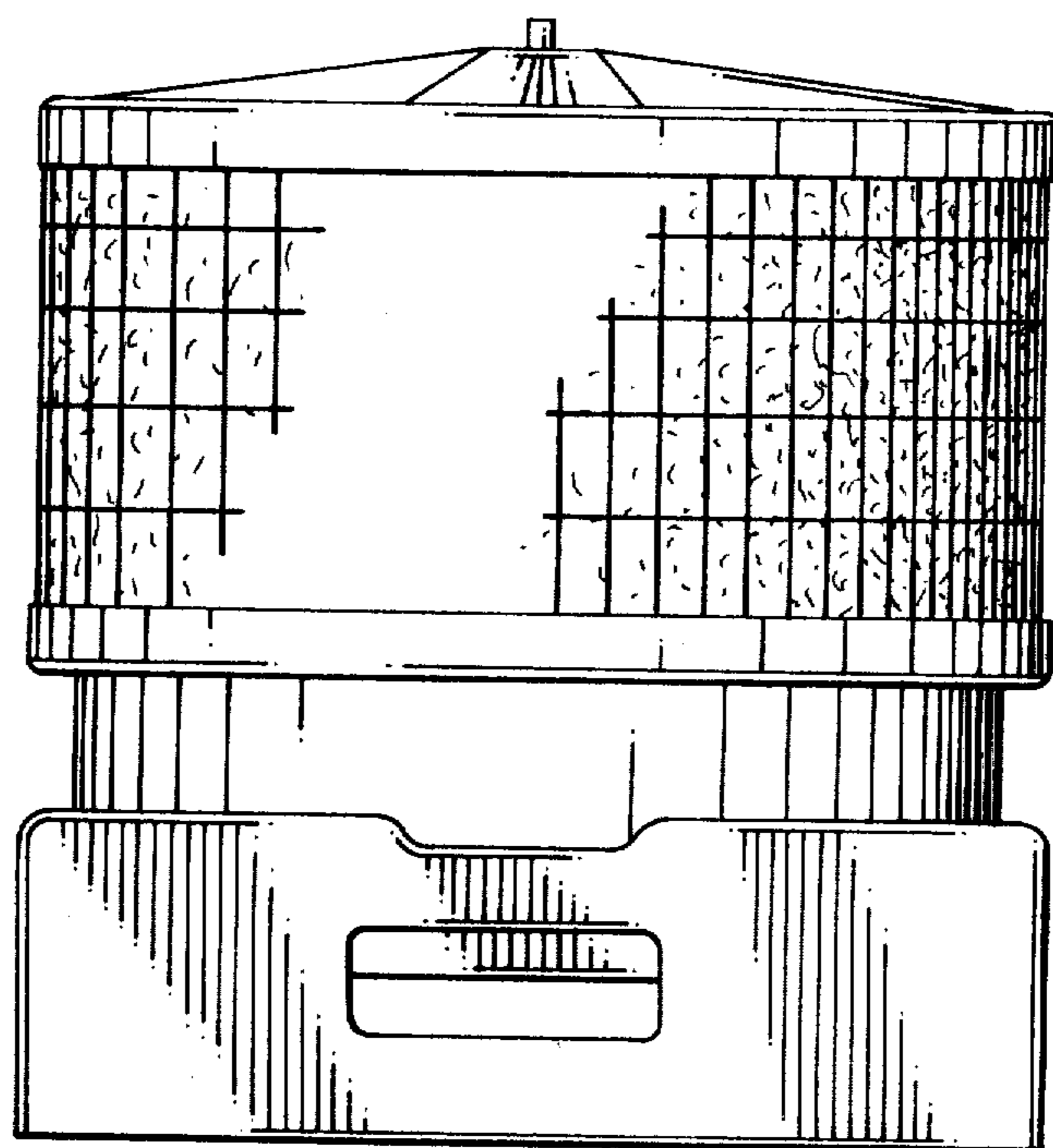


FIG. 5

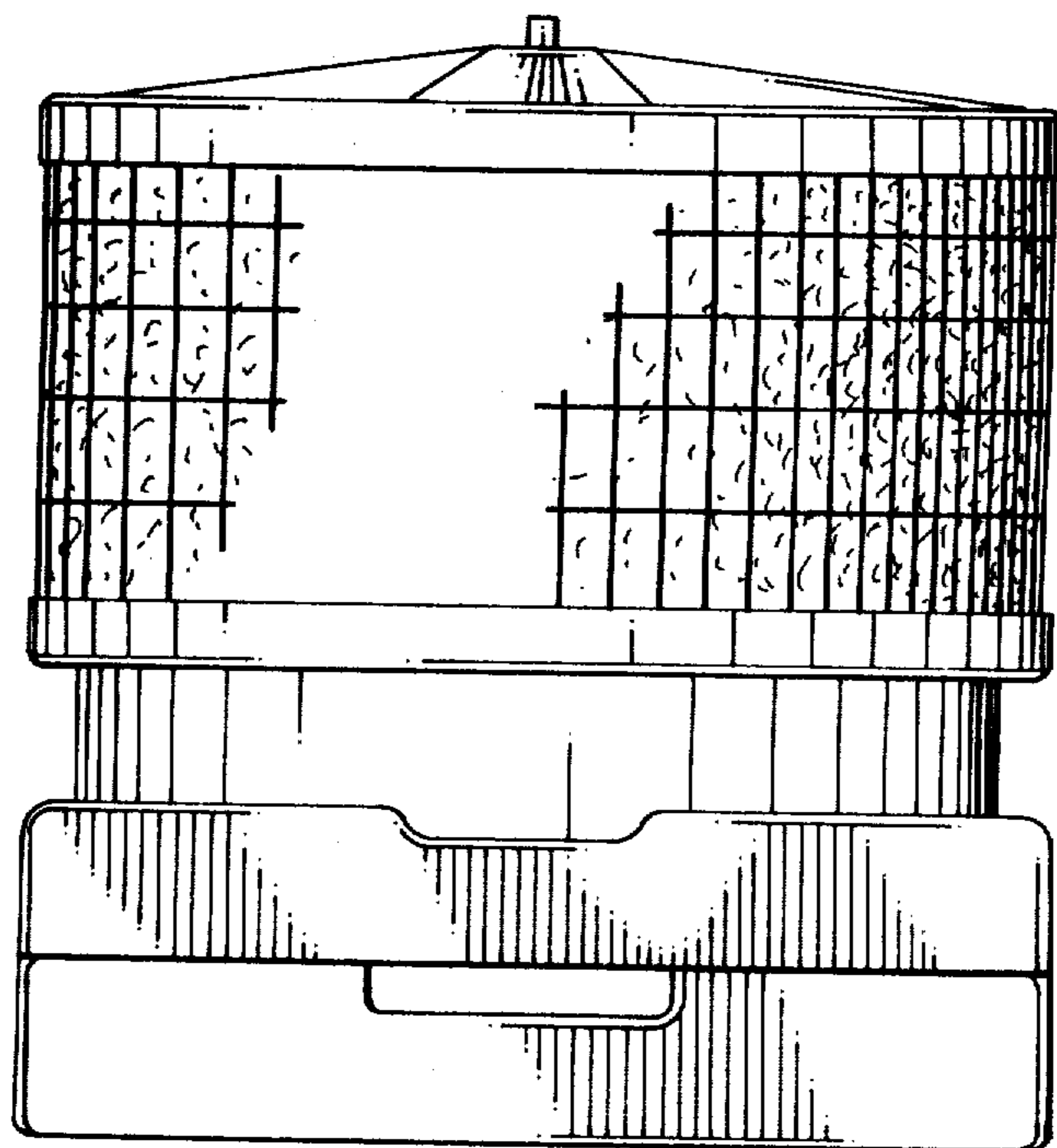


FIG. 6