

[54] COMBINATION KNIFE AND UTILITY TOOL WITH PIVOTAL BLADE COVER

[75] Inventor: Walter W. Collins, Rock Hill, S.C.

[73] Assignee: Jenkins Metal Corporation, Gastonia, N.C.

[**] Term: 14 Years

[21] Appl. No.: 288,911

[22] Filed: Jul. 30, 1981

[51] Int. Cl. D8-03; D22-05

[52] U.S. Cl. D22/1; D8/26; D8/99; D8/105; D22/31

[58] Field of Search 7/142, 165; 30/153, 30/161, 155; D8/99, 17, 20, 105, 26; D22/1, 31

[56] References Cited

U.S. PATENT DOCUMENTS

- D. 156,070 11/1949 Brooks D22/1
- D. 173,036 9/1954 Morton D8/17
- D. 175,853 10/1955 Polk D8/99
- D. 197,915 4/1964 Ayars D8/26
- D. 236,321 8/1975 Cromoga D8/20

3,364,508 1/1968 Garrett 7/165 X

Primary Examiner—A. Hugo Word
Attorney, Agent, or Firm—Clifton T. Hunt

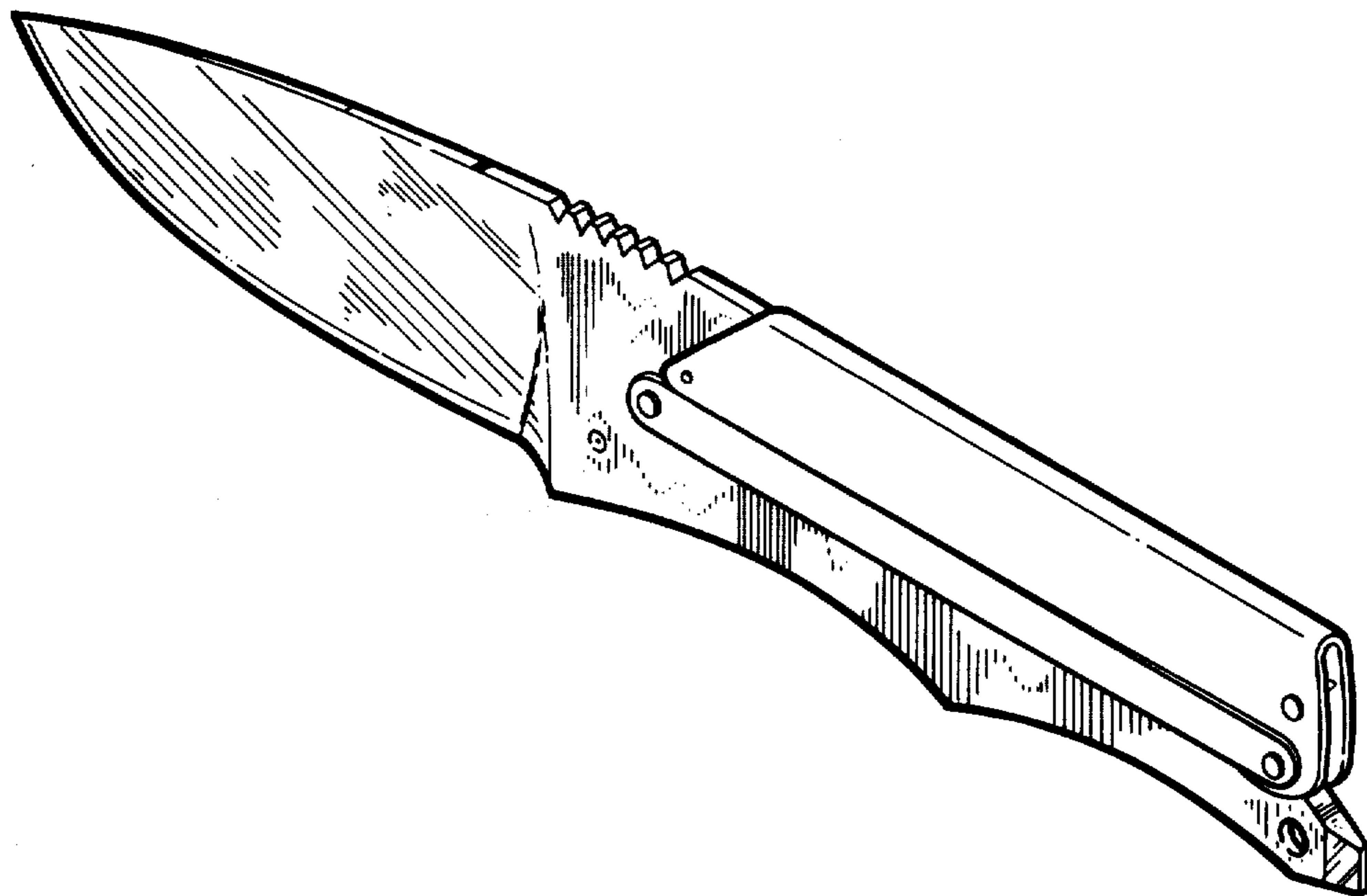
[57] CLAIM

The ornamental design for a combination knife and utility tool with pivotal blade cover, as shown and described in the drawings.

DESCRIPTION

FIG. 1 is a perspective view looking at the top and one side of the combination knife and utility tool with pivotal blade cover, showing the blade cover seated in a first operative position exposing the blade of the knife; FIG. 2 is a side elevation of the combination knife and utility tool with pivotal blade cover illustrating movement of the pivotal hand grip between the first operative position of FIG. 1 and a second operative position of FIG. 3; and

FIG. 3 is a perspective view of the combination knife and utility tool with pivotal blade cover looking at the top and side opposite that shown in FIG. 1 and illustrating the pivotal blade cover seated in its second operative position about the sharpened edge of the knife blade.



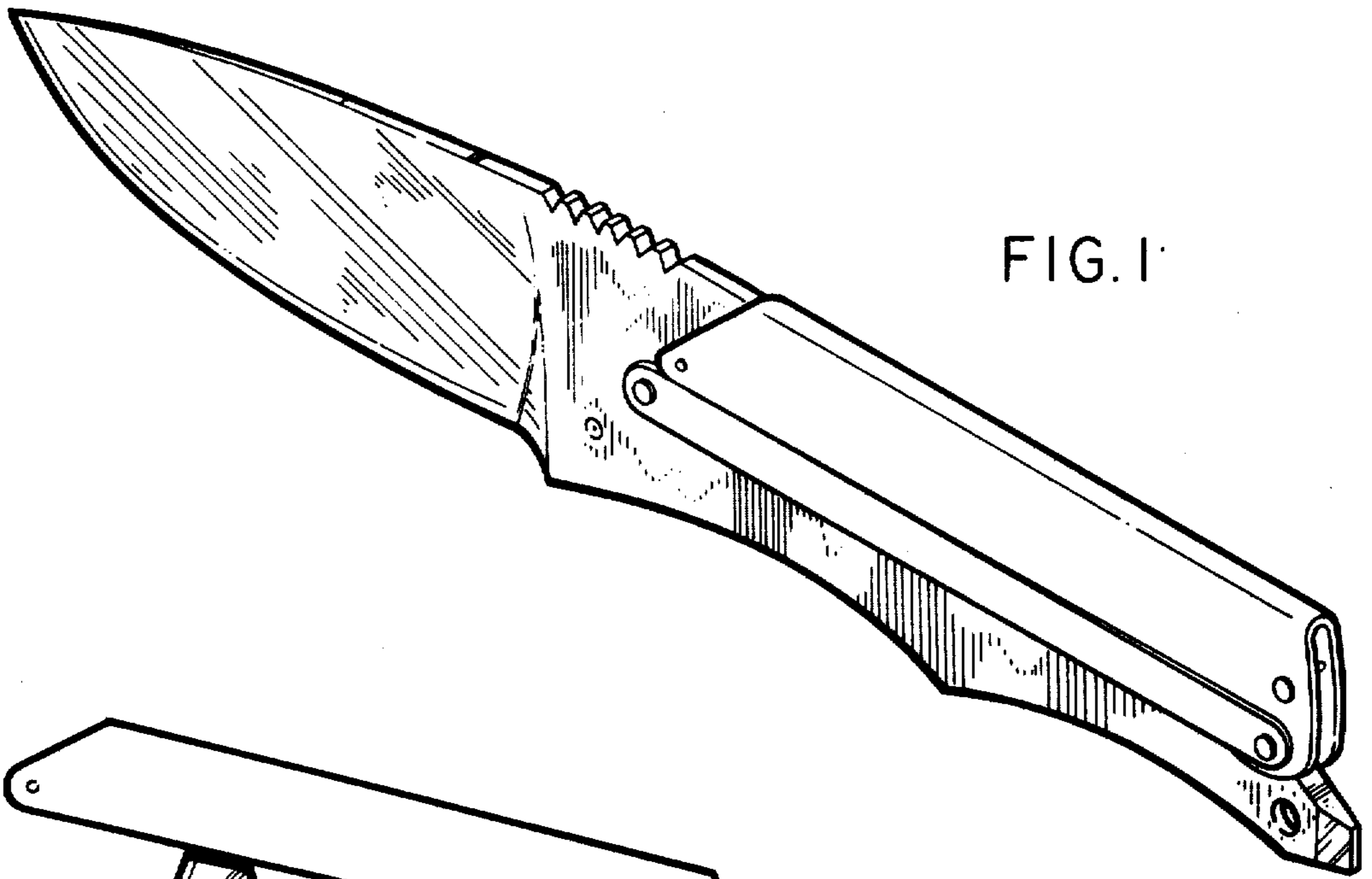


FIG. 1

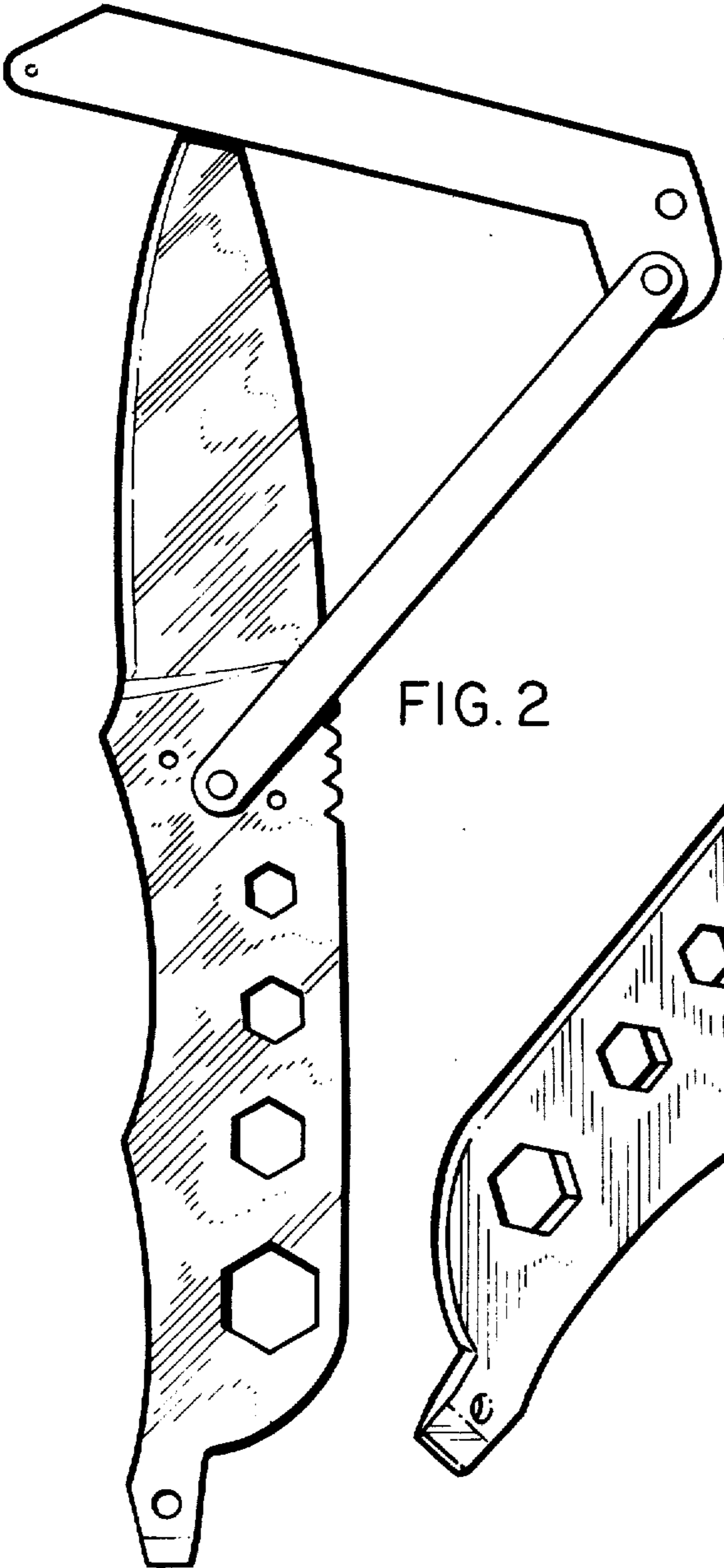


FIG. 2

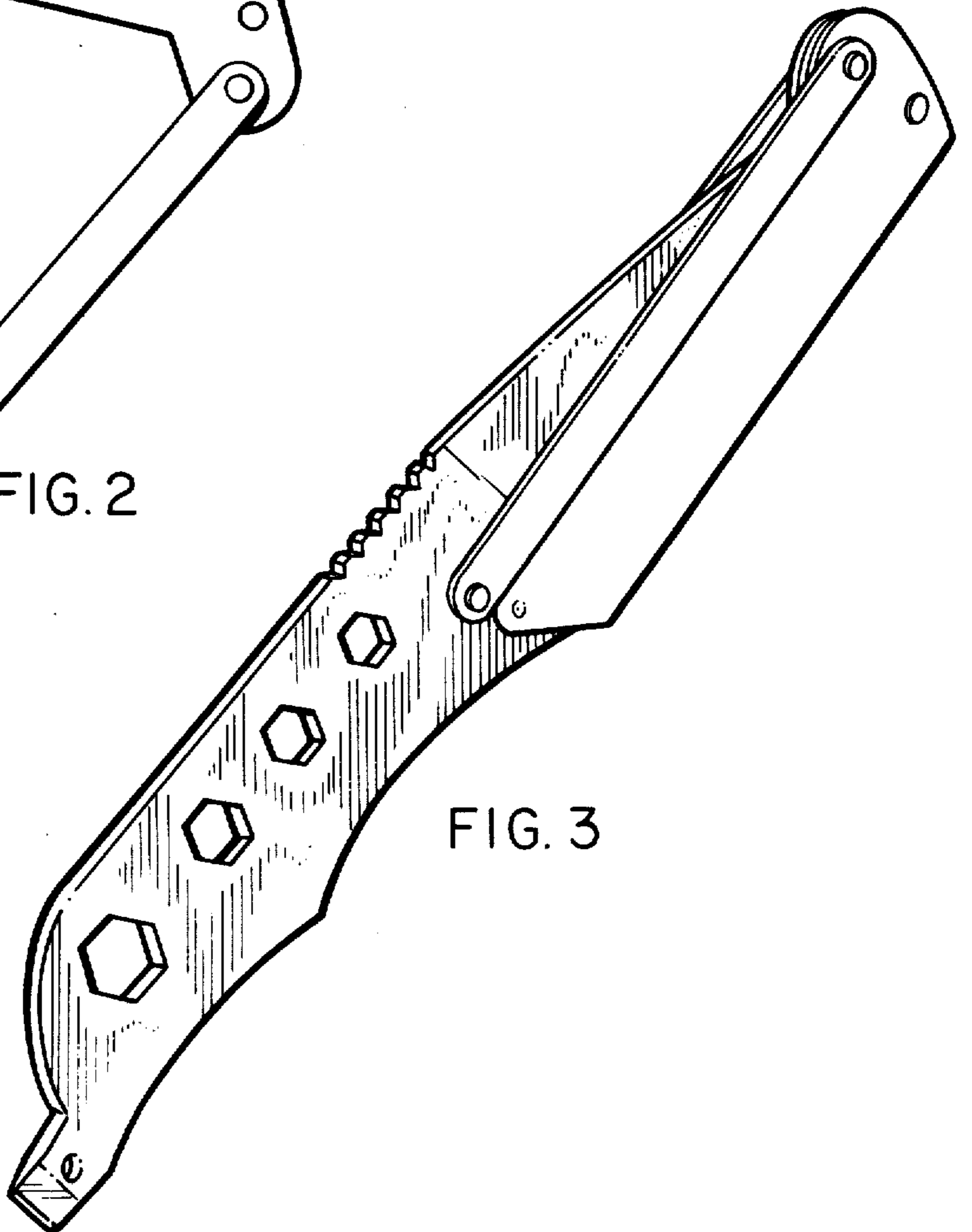


FIG. 3