

[54] PHOTOGRAPHIC CAMERA OR SIMILAR ARTICLE

[75] Inventors: Enrique Alie, Brooklyn, N.Y.; Donald R. Bishop, Westwood, Mass.; James M. Ryan, New York, N.Y.

[73] Assignee: Polaroid Corporation, Cambridge, Mass.

[**] Term: 14 Years

[21] Appl. No.: 244,642

[22] Filed: Mar. 17, 1981

Related U.S. Application Data

[63] Continuation-in-part of Ser. No. 199,853, Oct. 23, 1980, Pat. No. Des. 268,267.

[51] Int. Cl. D16-01

[52] U.S. Cl. D16/1; D16/3; D16/2

[58] Field of Search D16/1, 3 R, 2; 354/62, 354/79, 288, 83; 352/104, 242

[56] References Cited

U.S. PATENT DOCUMENTS

D. 228,680	10/1973	Conner	D16/4
D. 244,089	4/1977	Augustin	D16/10
3,017,804	1/1962	Bonisch	354/288
3,440,941	4/1969	Linder	354/288
3,958,257	5/1976	Johnson	354/83
4,157,216	6/1979	Plummer	354/62
4,323,304	4/1982	Ishii	354/62

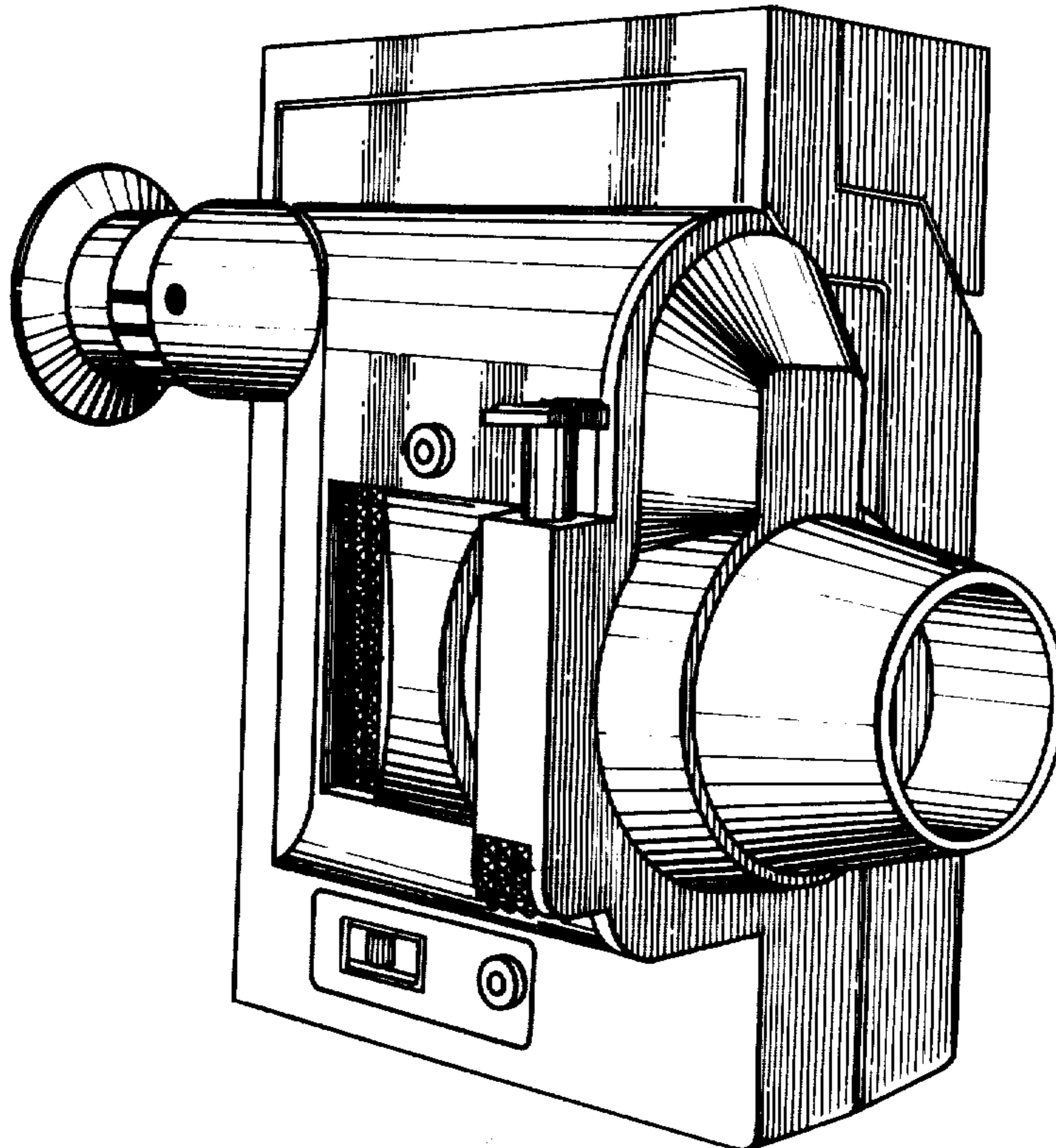
Primary Examiner—Nelson C. Holtje
Attorney, Agent, or Firm—Francis J. Caufield

[57] CLAIM

The ornamental design for a photographic camera or similar article, as shown and described.

DESCRIPTION

FIG. 1 is a left side elevational view of a photographic camera or similar article showing our new design; FIG. 2 is a left front perspective view thereof; FIG. 3 is a front elevational view thereof; FIG. 4 is a top plan view thereof; FIG. 5 is a bottom plan view thereof; FIG. 6 is a right side elevational view thereof; FIG. 7 is a rear elevational view thereof.



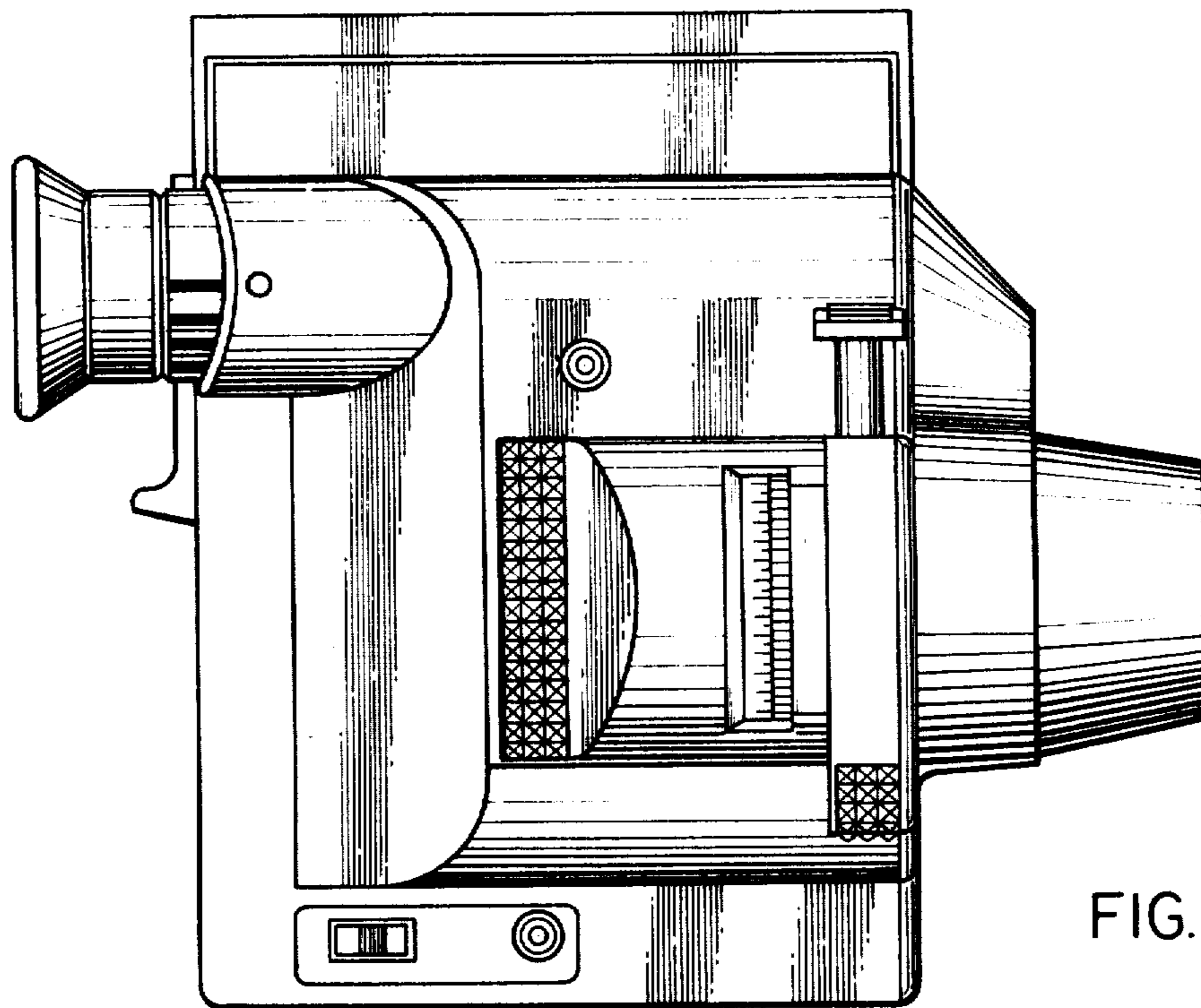


FIG. 1

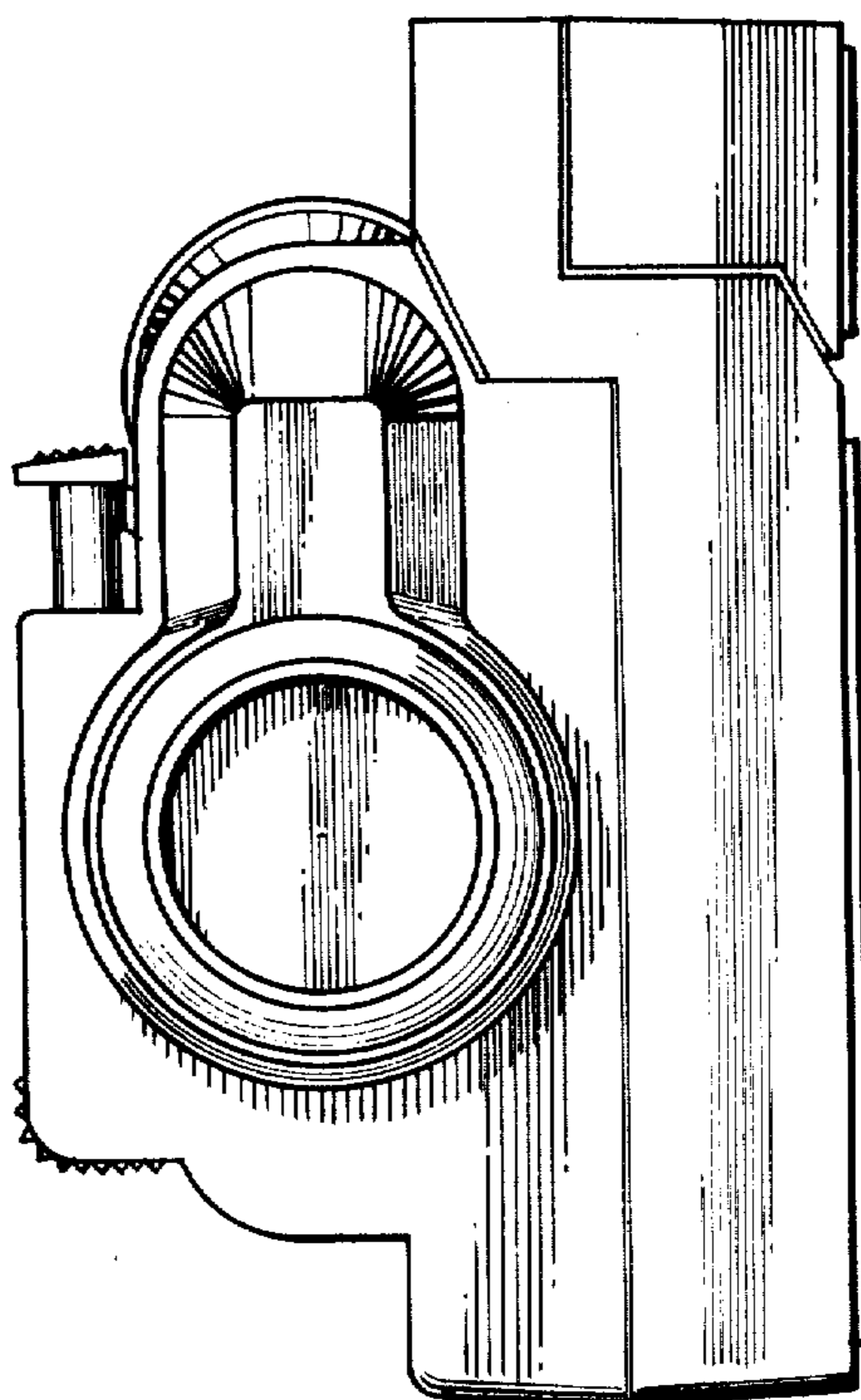


FIG. 3

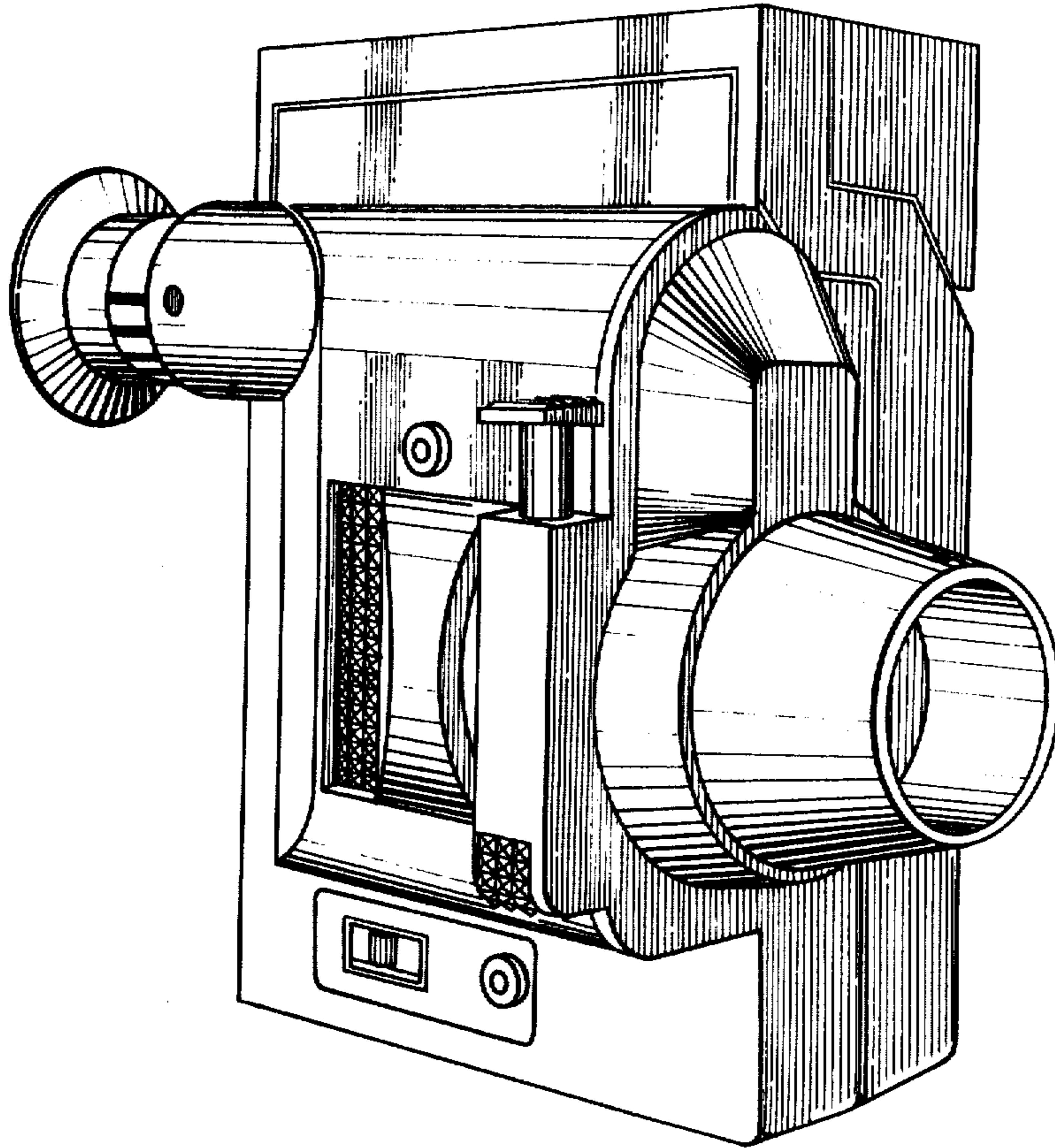


FIG. 2

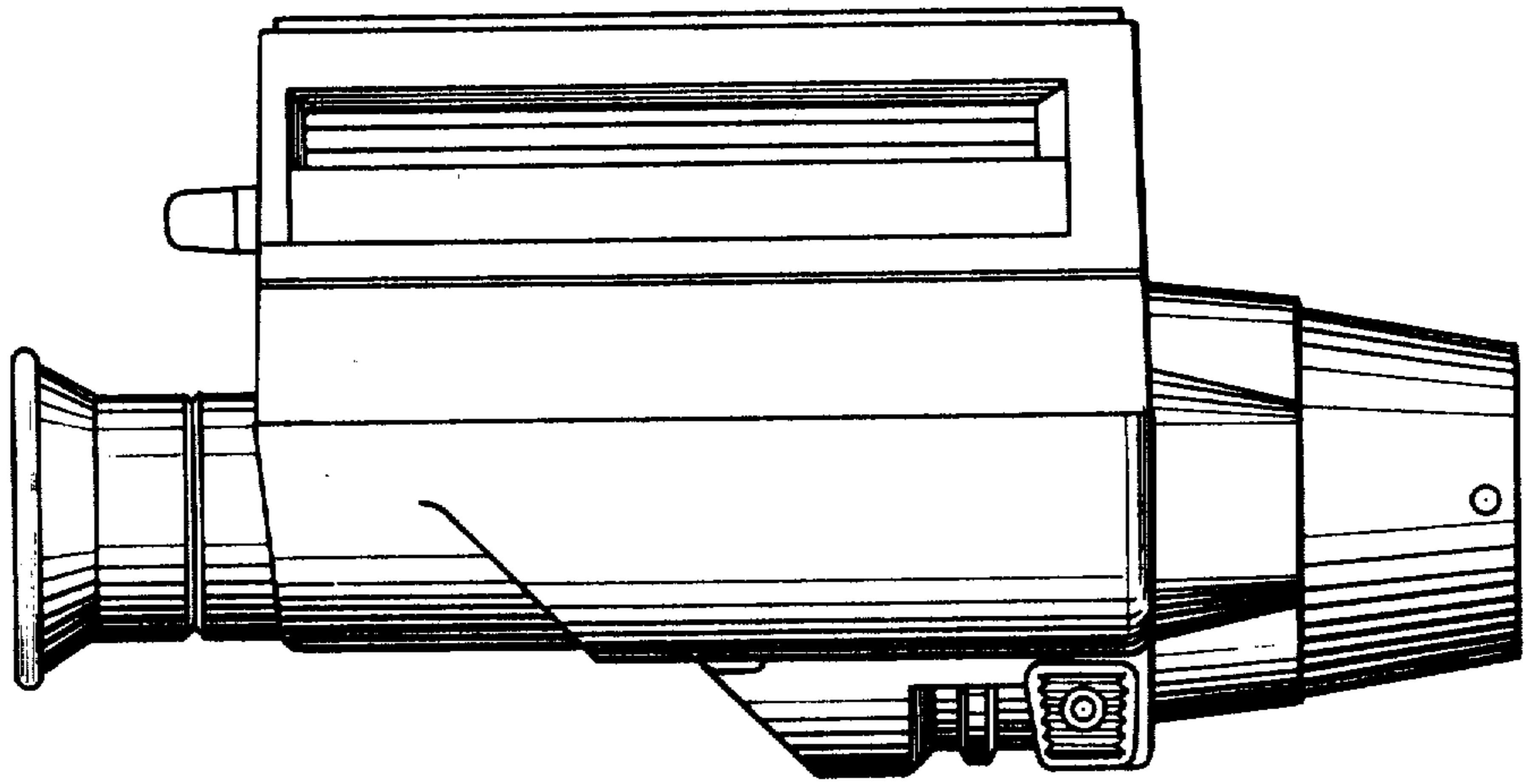


FIG. 4

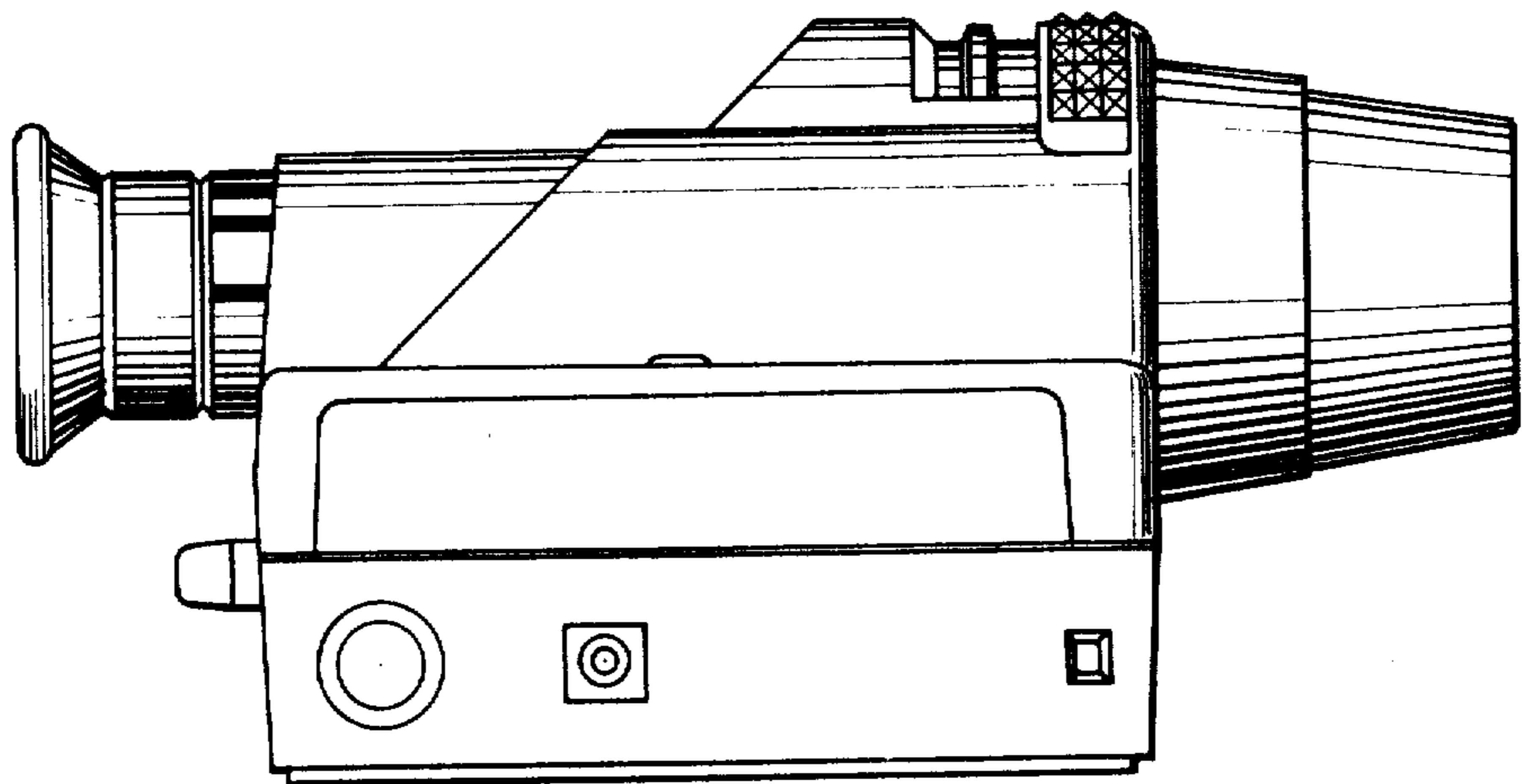


FIG. 5

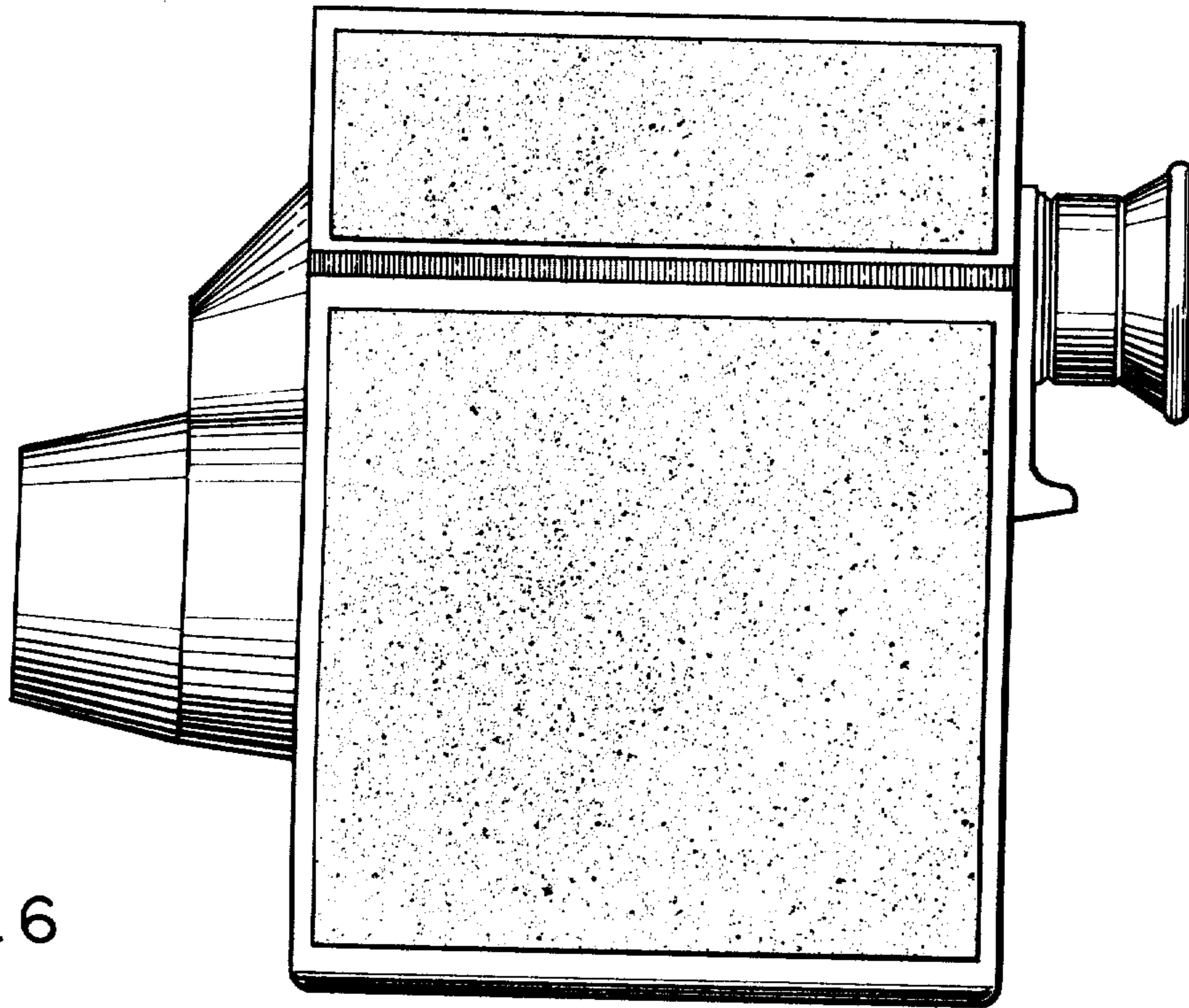


FIG. 6

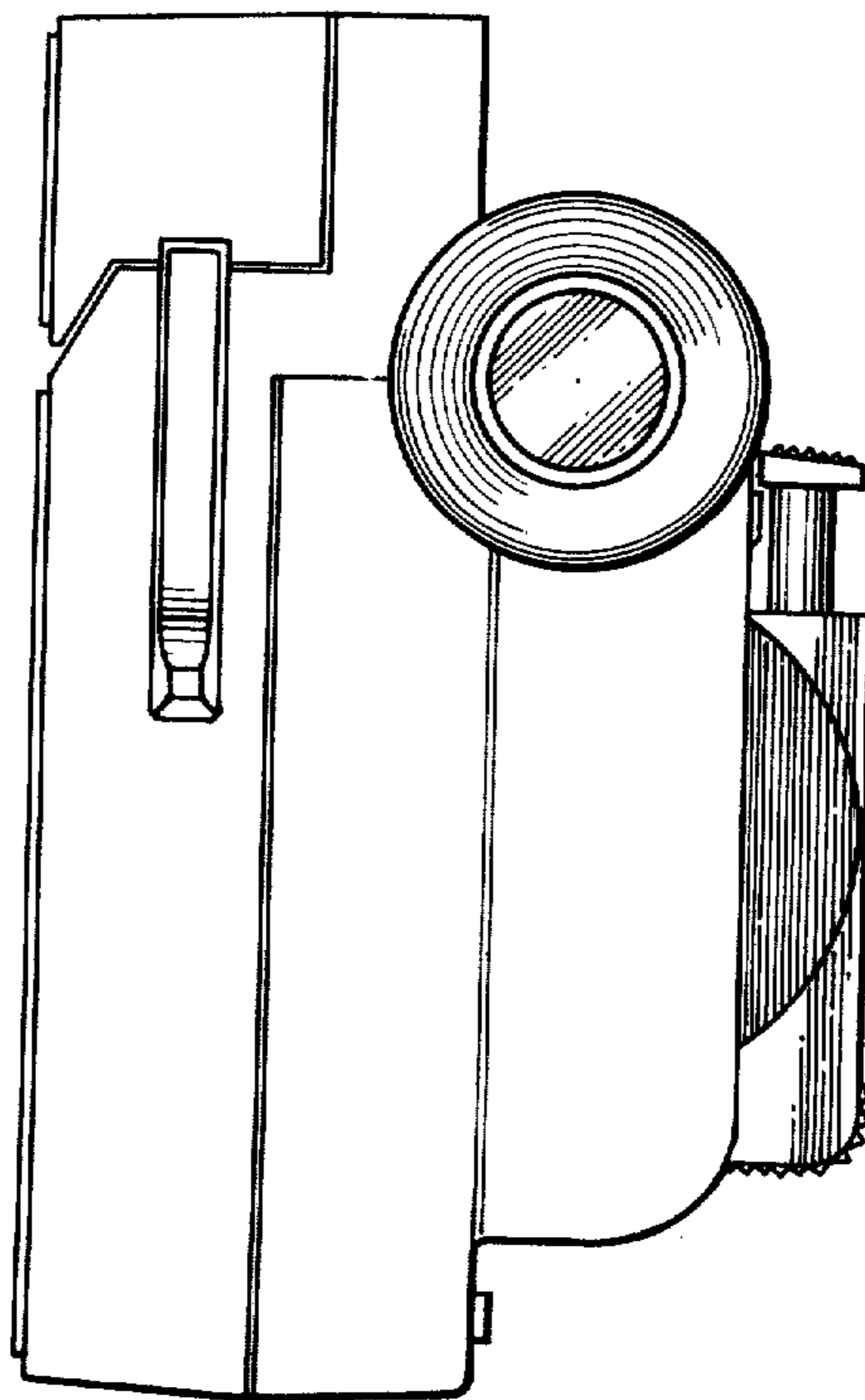


FIG. 7