

- [54] **LIQUID MANURE PUMP**
- [75] **Inventor: Ernest C. Hollander, Boyden, Iowa**
- [73] **Assignee: Dethmers Manufacturing Company, Boyden, Iowa**
- [\*\*] **Term: 14 Years**
- [21] **Appl. No.: 275,358**
- [22] **Filed: Jun. 19, 1981**
- [51] **Int. Cl. .... D15-02**
- [52] **U.S. Cl. .... D15/7**
- [58] **Field of Search ..... D15/7, 8, 9; 417/403, 417/489, 900**

- [56] **References Cited**  
**U.S. PATENT DOCUMENTS**  
D. 190,052 4/1961 Bartholomew ..... D15/7

D. 264,085 4/1982 Clay ..... D15/7  
4,028,017 6/1977 Kobiske ..... 417/489

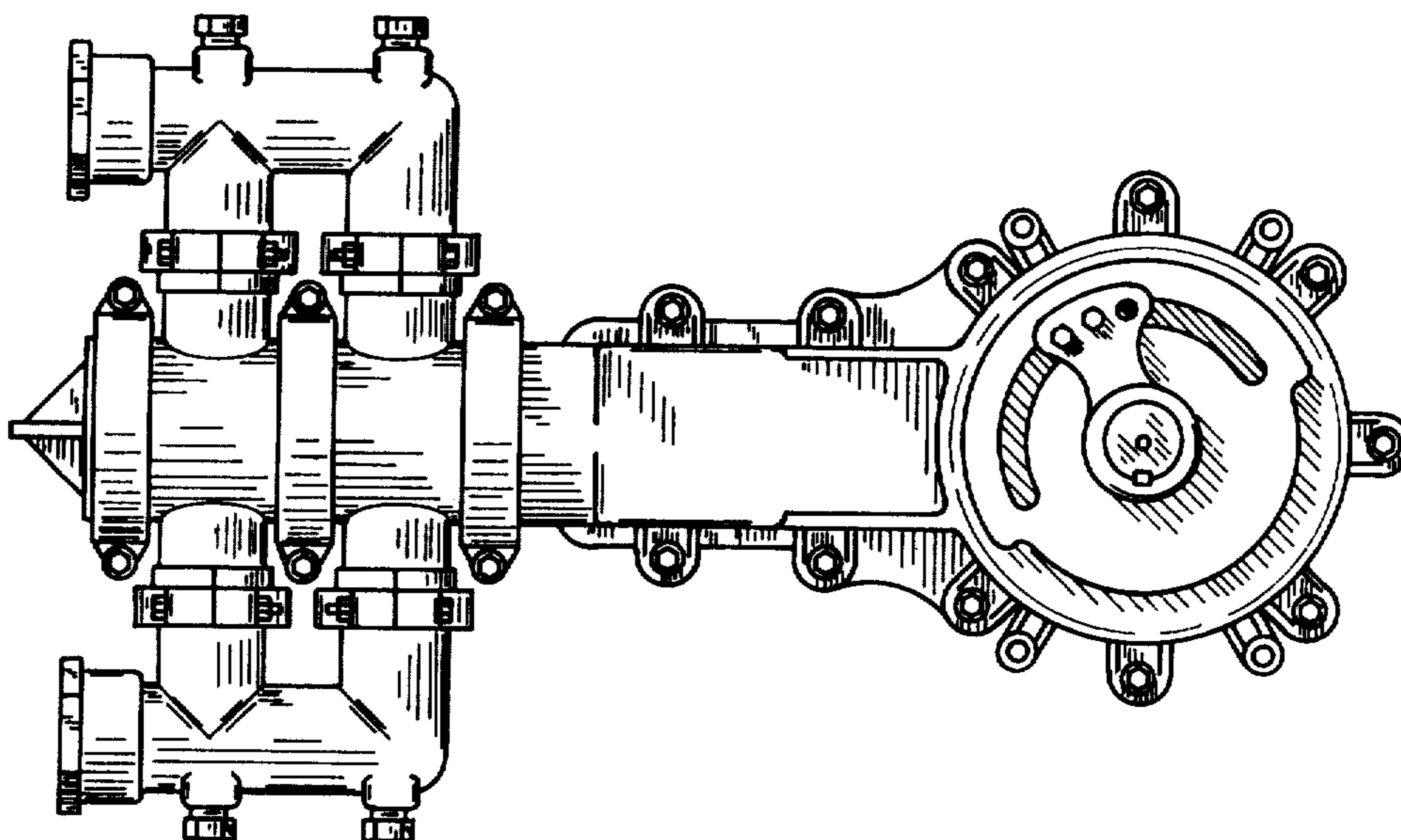
*Primary Examiner—Wallace R. Burke*  
*Assistant Examiner—Lynn Wilder*  
*Attorney, Agent, or Firm—Rudolph L. Lowell*

[57] **CLAIM**

The ornamental design for a liquid manure pump, substantially as shown and described.

**DESCRIPTION**

FIG. 1 is a side elevational view of a liquid manure pump showing my new design;  
FIG. 2 is a top view thereof;  
FIG. 3 is a front elevational view thereof;  
FIG. 4 is an elevational view of the side opposite the one shown in FIG. 1;  
FIG. 5 is a rear elevational view thereof; and  
FIG. 6 is a bottom view thereof.



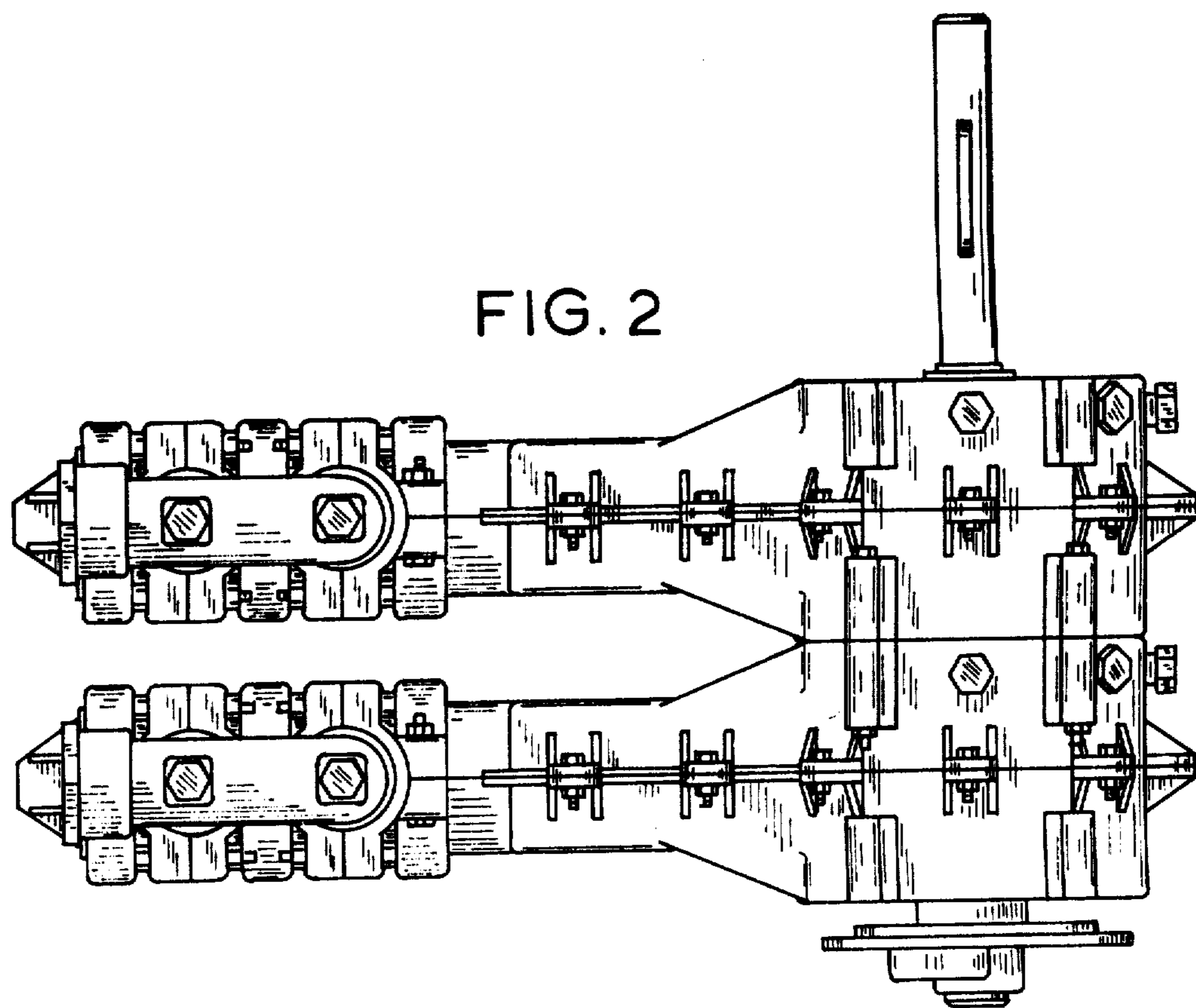
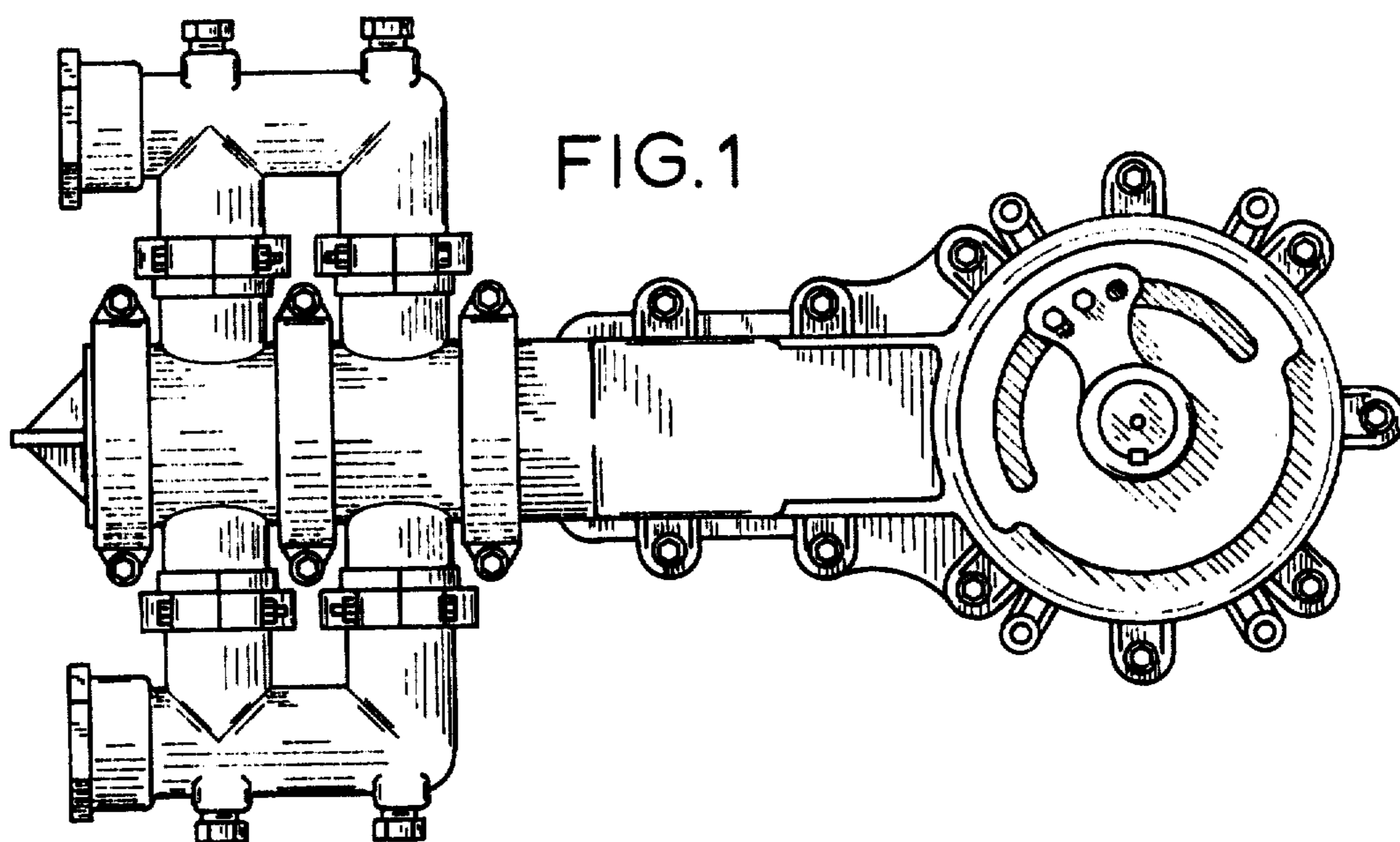


FIG. 3

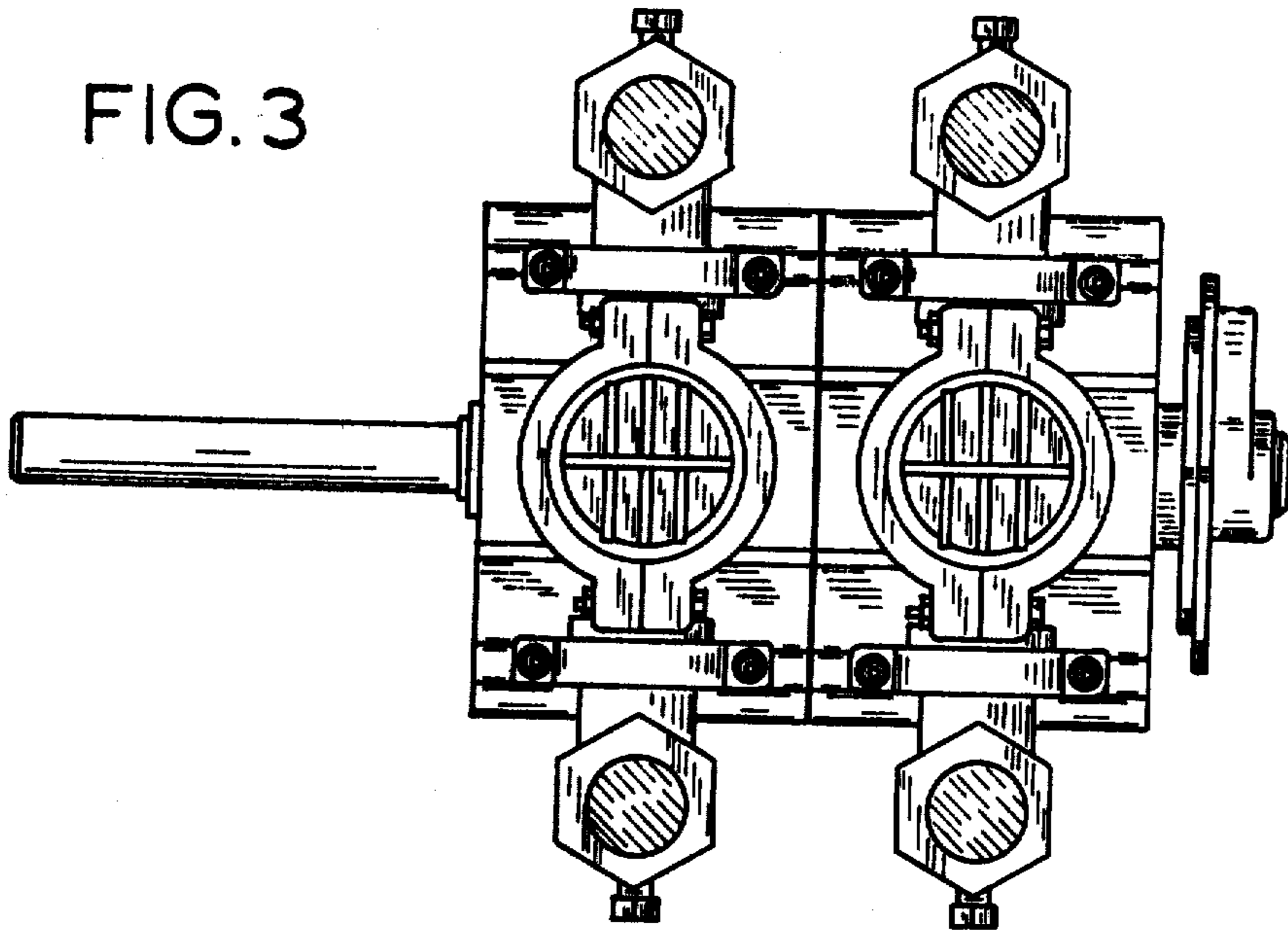


FIG. 4

