

[54] EASEL FOR ATTACHING TO A TELEPHONE TO SUPPORT A BOOK OR THE LIKE

657,544 9/1900 Jaeger 248/441 R
3,952,989 4/1976 Hatcher 248/441 A

[76] Inventor: Thomas V. Foreman, Sr., 17706 Carelia La., Spring, Tex. 77379

FOREIGN PATENT DOCUMENTS

1004969 3/1957 Fed. Rep. of Germany ... 248/441 C
1031012 6/1953 France 40/336

[**] Term: 14 Years

Primary Examiner—T. Tung
Attorney, Agent, or Firm—Vaden, Eickenroht, Thompson, Bednar & Jamison

[21] Appl. No.: 97,143

[22] Filed: Dec. 6, 1979

[57] CLAIM

[51] Int. Cl. D14—03

[52] U.S. Cl. D14/65; D6/184

[58] Field of Search D14/59, 65; D6/180, D6/184; 40/336; 179/90 AT; 248/441 B, 441 C, 441 R, 441 A

The ornamental design for an easel for attaching to a telephone to support a book or the like, substantially as shown and described.

DESCRIPTION

[56] References Cited

U.S. PATENT DOCUMENTS

D. 94,355 1/1935 McCoy D6/184
D. 185,453 6/1959 McCracken D14/59
D. 189,187 11/1960 Farina D14/59

FIG. 1 is a prospective view of the front and one side of the easel for attaching to a telephone to support a book or the like;

FIG. 2 is a view from one side thereof, the opposite side thereof being a mirror image of that shown;

FIG. 3 is a front view thereof; and

FIG. 4 is a back view thereof.

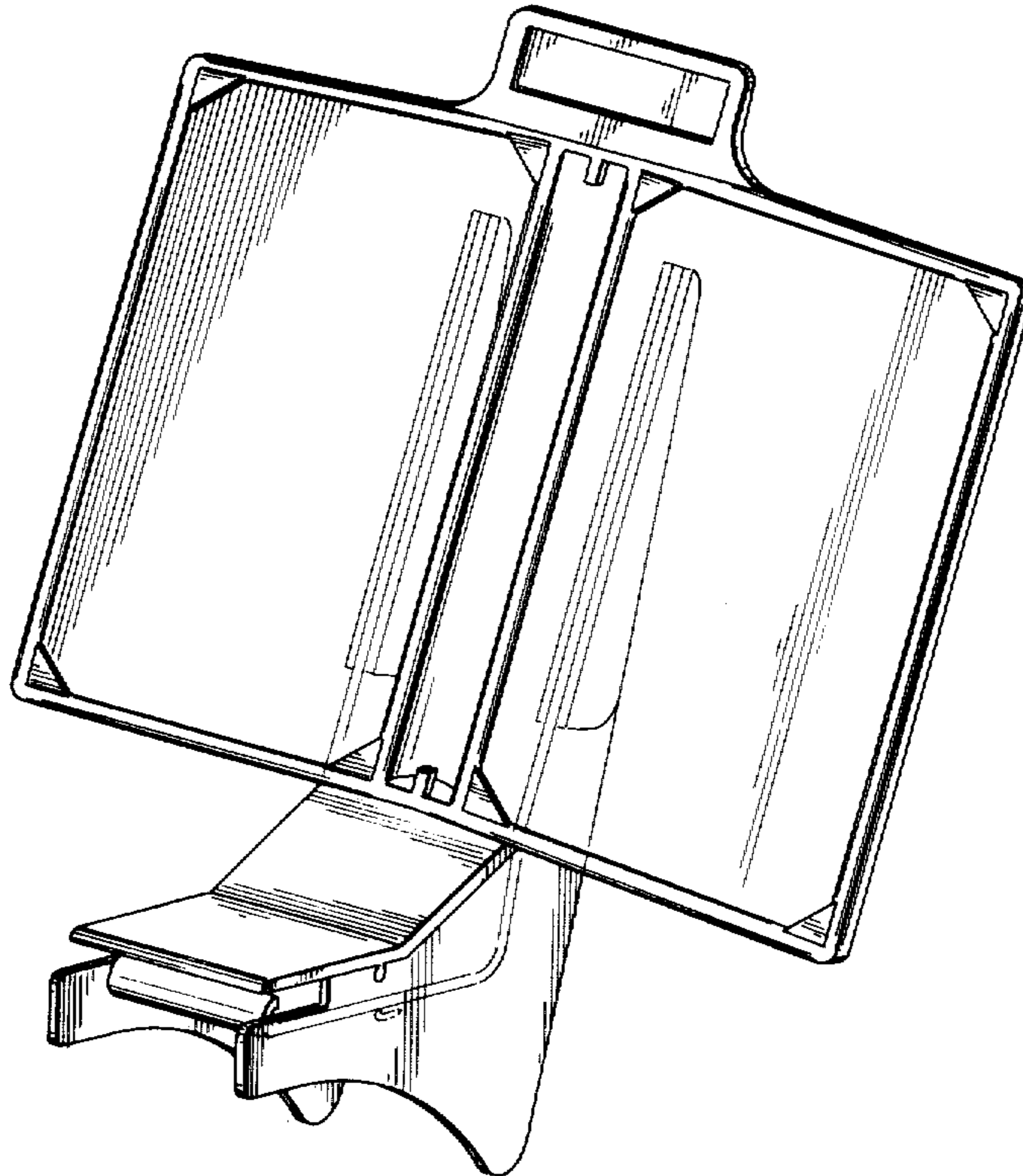


FIG. 1

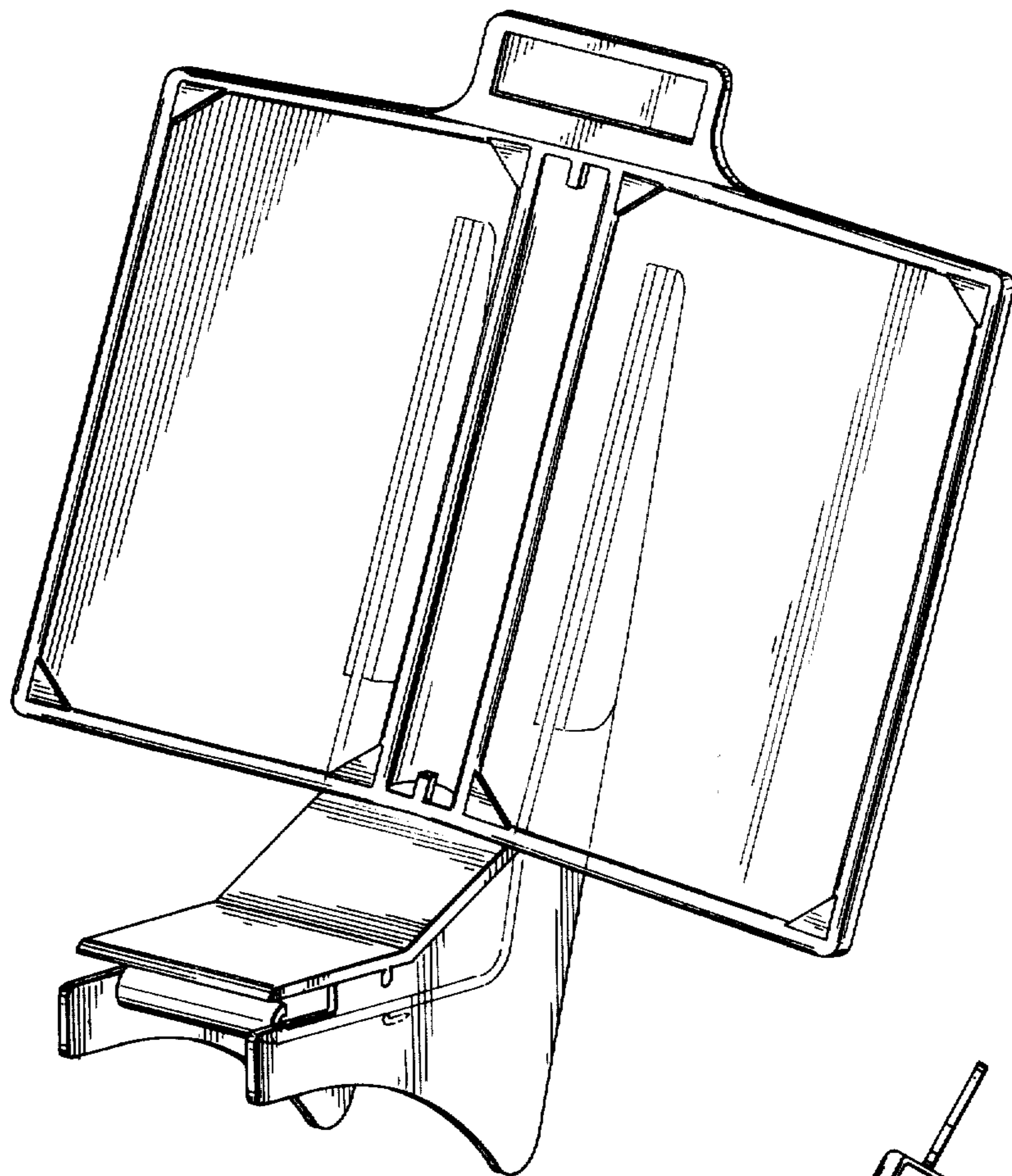
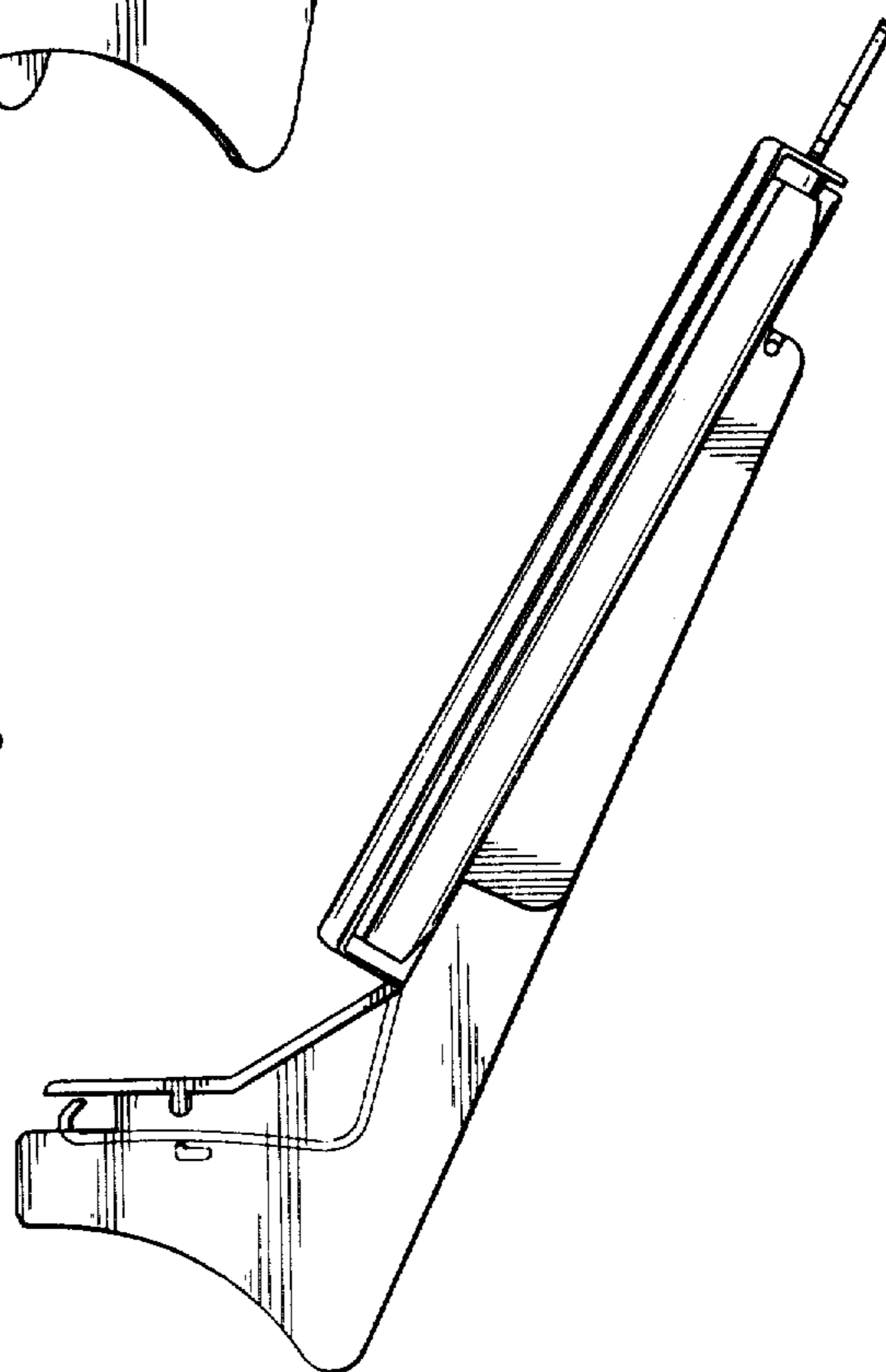


FIG. 2



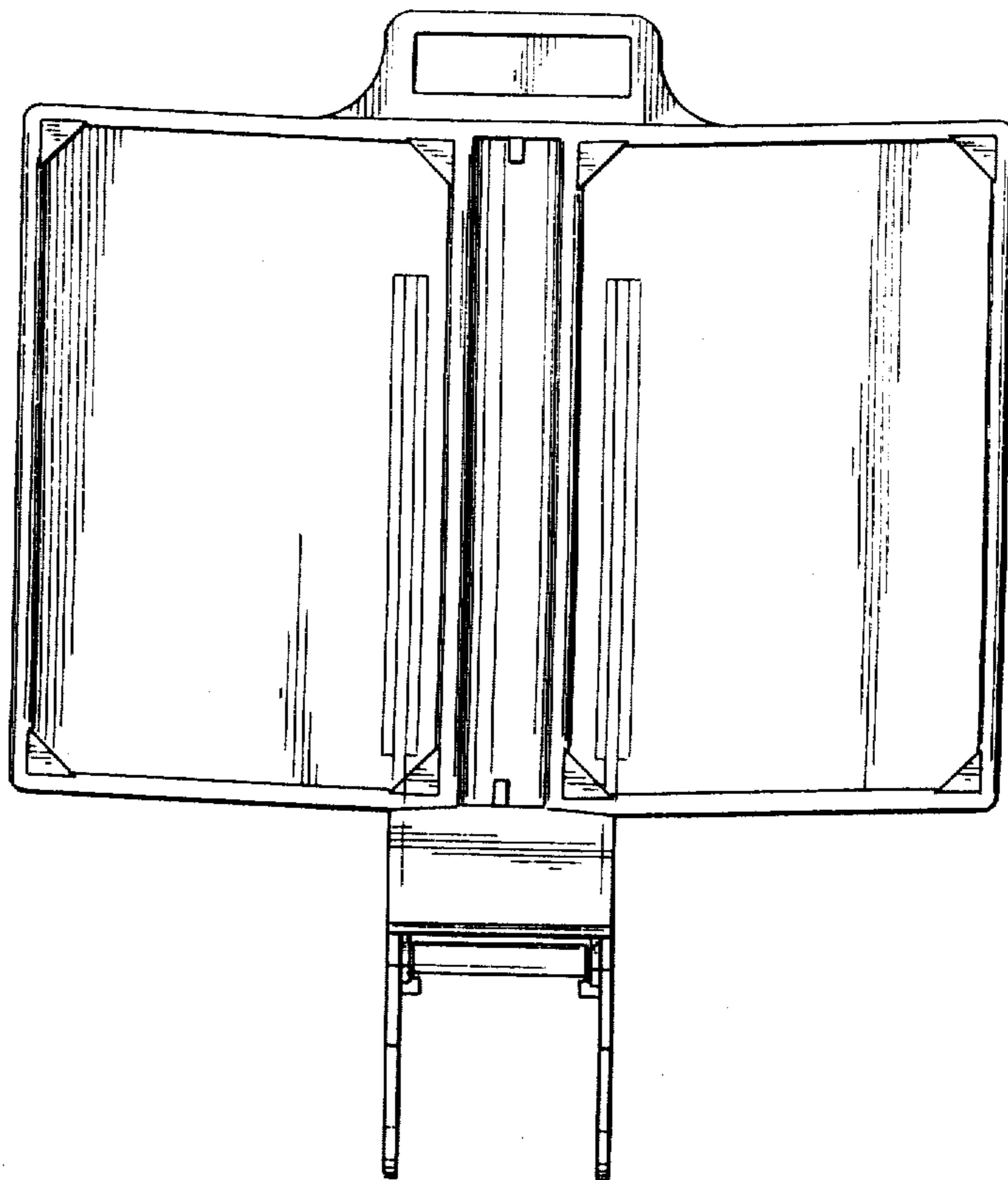


FIG. 3

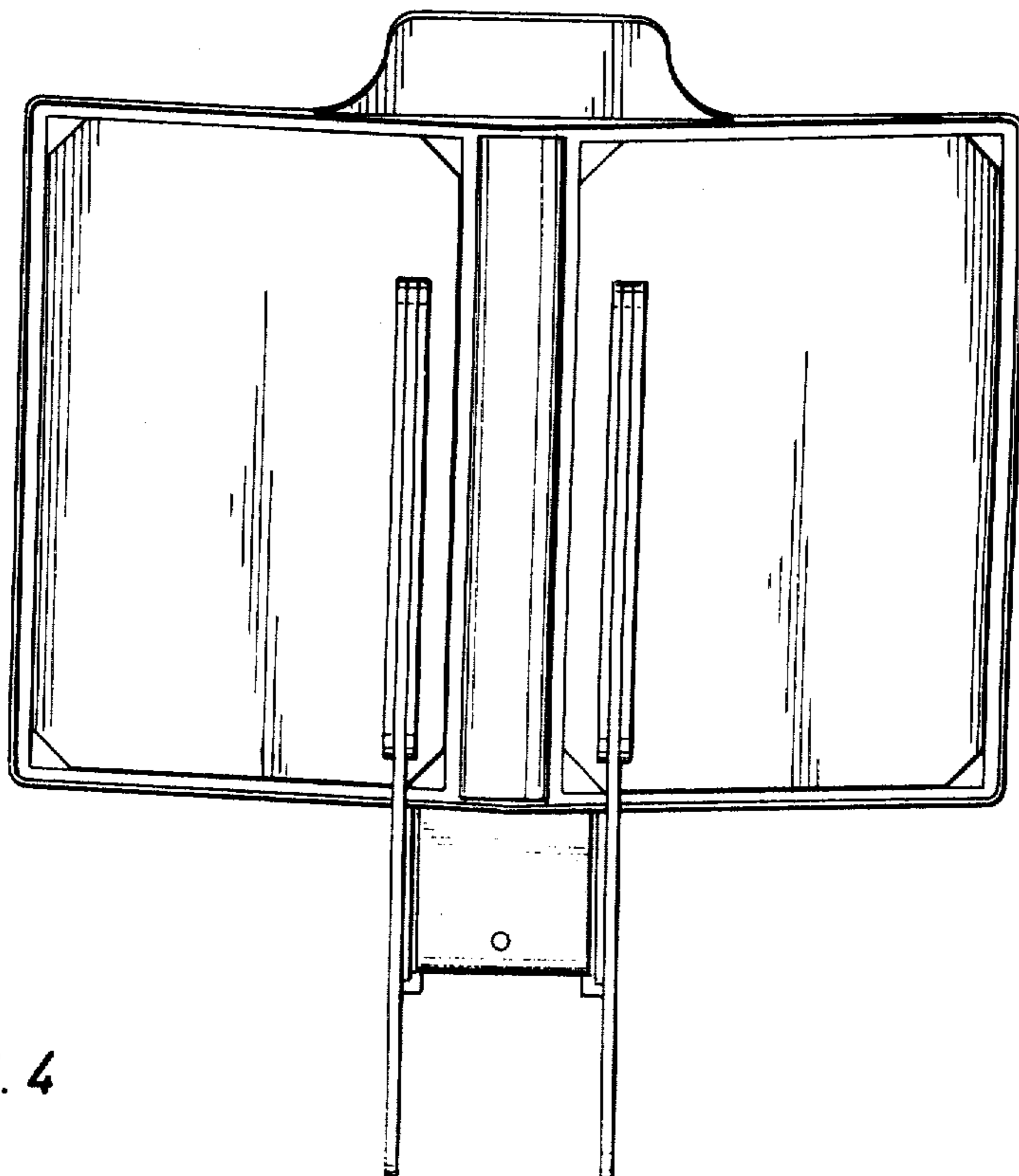


FIG. 4