

[54] COMBINED LCD-CLOCK AND HOLDER FOR A BALL POINT PEN

[76] Inventor: Walter Henkels, Holunderweg 1, D-5142 Hückelhoven, Fed. Rep. of Germany

[**] Term: 14 Years

[21] Appl. No.: 266,476

[22] Filed: May 22, 1981

[30] Foreign Application Priority Data

Feb. 13, 1981 [DE] Fed. Rep. of Germany MR134

[51] Int. Cl. D10-01

[52] U.S. Cl. D10/2; D19/77; D10/15

[58] Field of Search D10/1, 2, 53, 15; D19/81, 84, 75, 79, 82, 80, 77; 368/10, 82-84, 239-242, 285

[56] References Cited

U.S. PATENT DOCUMENTS

- D. 55,610 7/1920 Haupt D19/84 X
- D. 81,286 6/1930 Johnson D19/77

- D. 164,616 9/1951 Weiner D10/2
- D. 249,245 9/1978 Henkles D19/77 X
- D. 255,695 7/1980 Yu D19/77

Primary Examiner—Nelson C. Holtje
Attorney, Agent, or Firm—Diller, Ramik & Wight

[57] CLAIM

The ornamental design for a combined LCD-clock and holder for a ball point pen, substantially as shown and described.

DESCRIPTION

FIG. 1 is a perspective view of a combined LCD-clock and holder for a ball point pen showing my new design. FIG. 2 is a left side elevational view thereof seen in the direction of arrow II in FIG. 1, the other side being substantially a mirror image thereof. FIG. 3 is a top plan view thereof seen in the direction of arrow III in FIG. 1. FIG. 4 is a rear elevational view thereof seen in the direction of arrow IV in FIG. 1. FIG. 5 is a front elevational view thereof seen in the direction of arrow V in FIG. 1; and FIG. 6 is a bottom plan view thereof seen in the direction of arrow VI in FIG. 1.

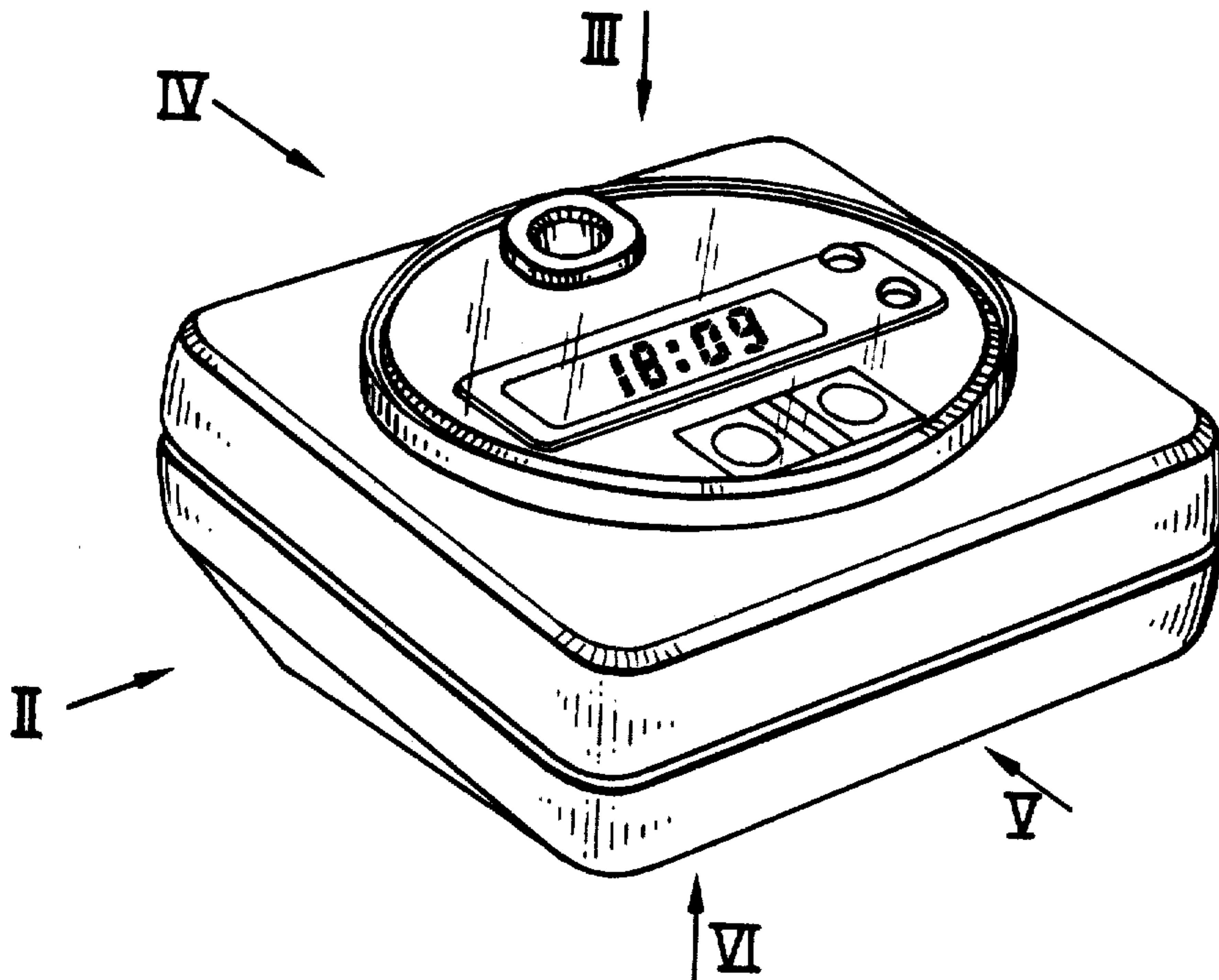


FIG.1

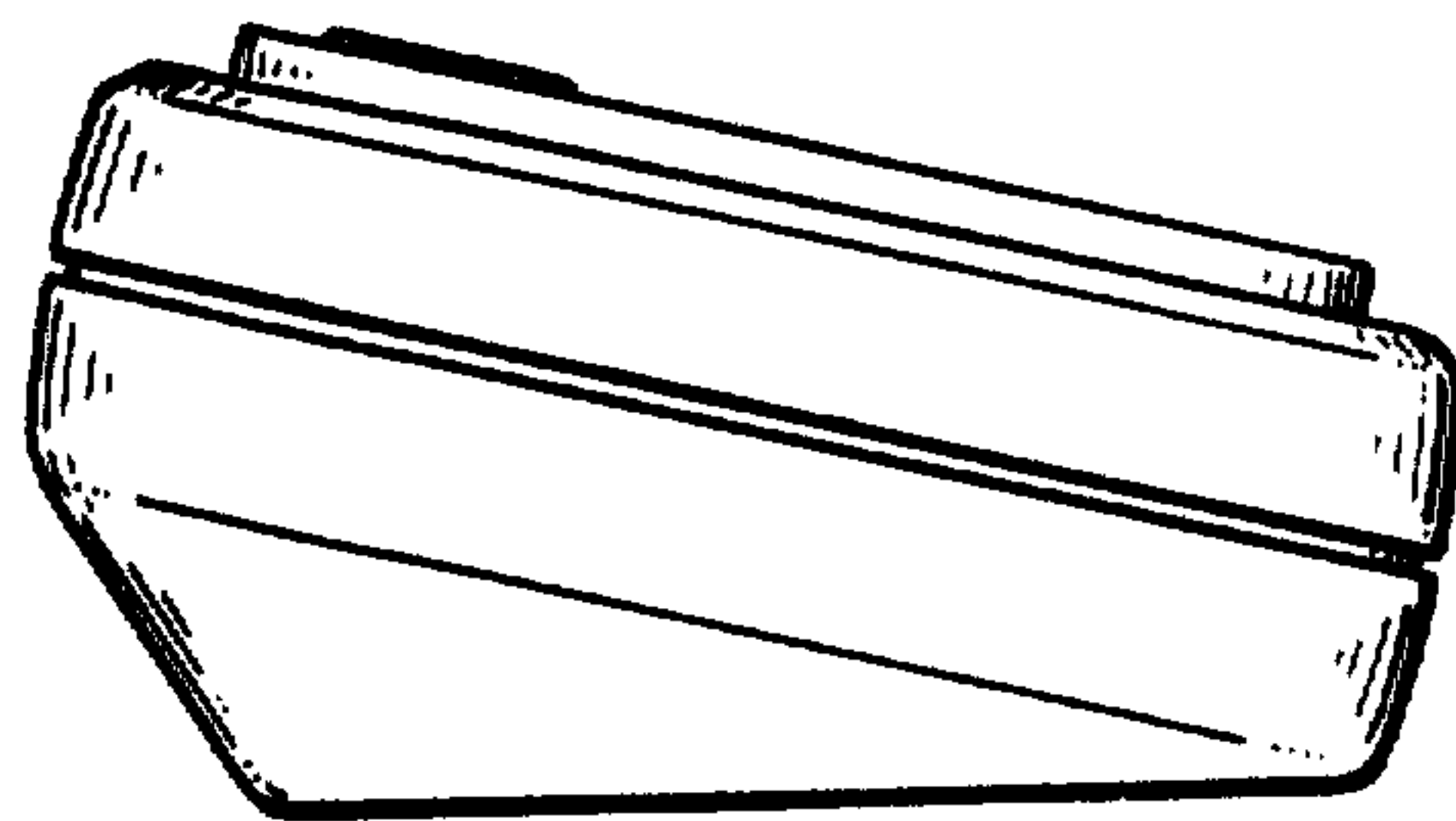
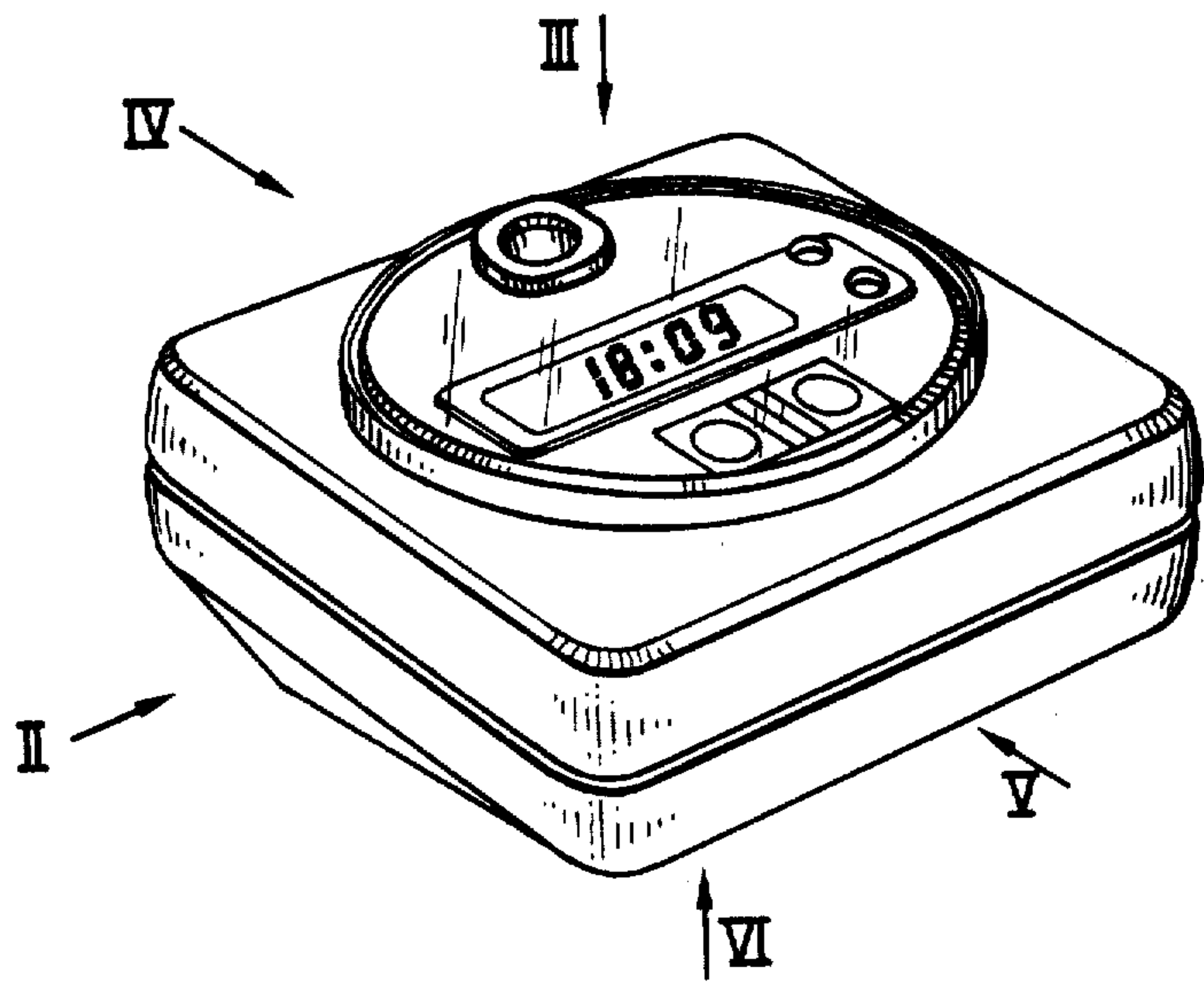


FIG.2

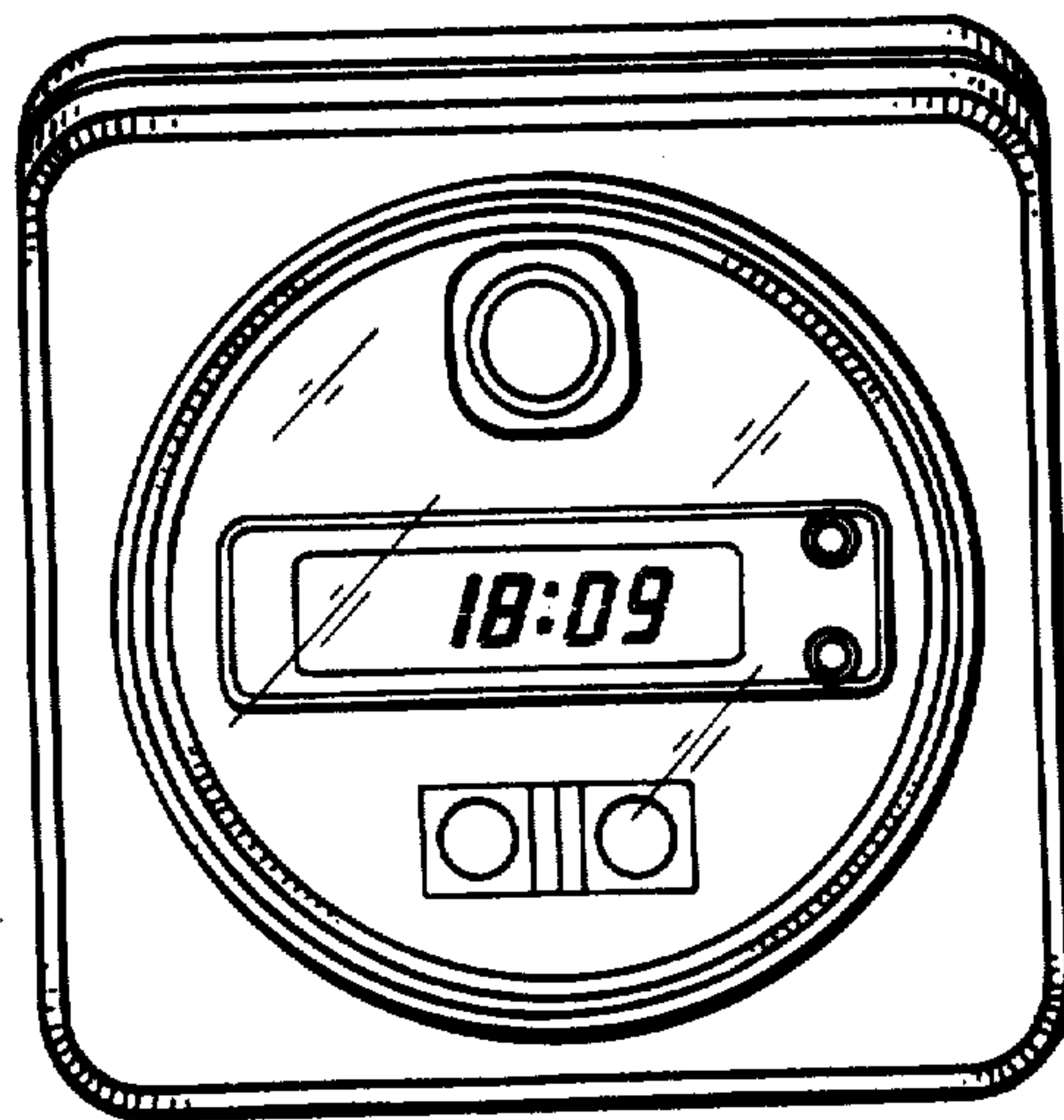


FIG.3

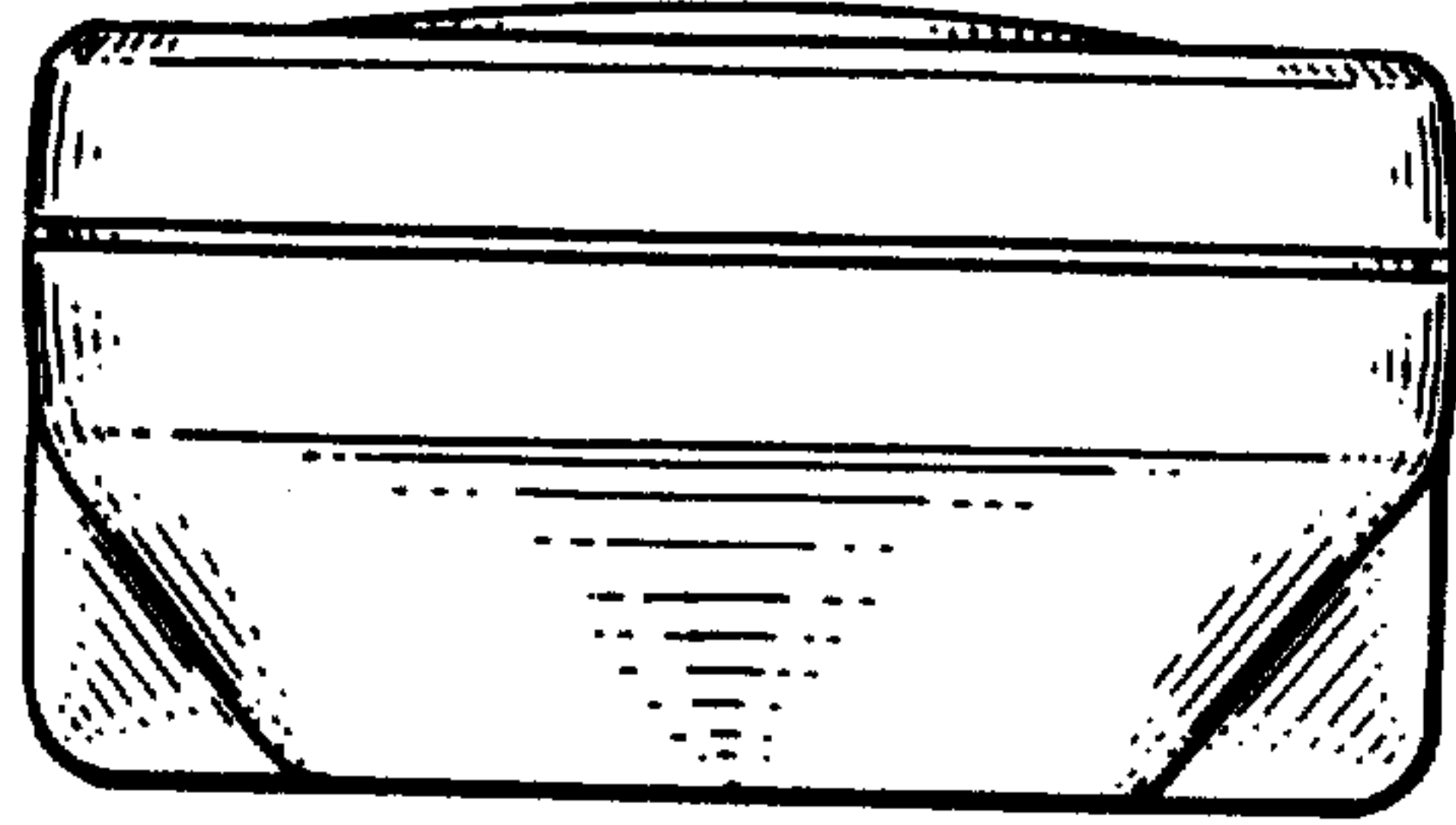


FIG. 4

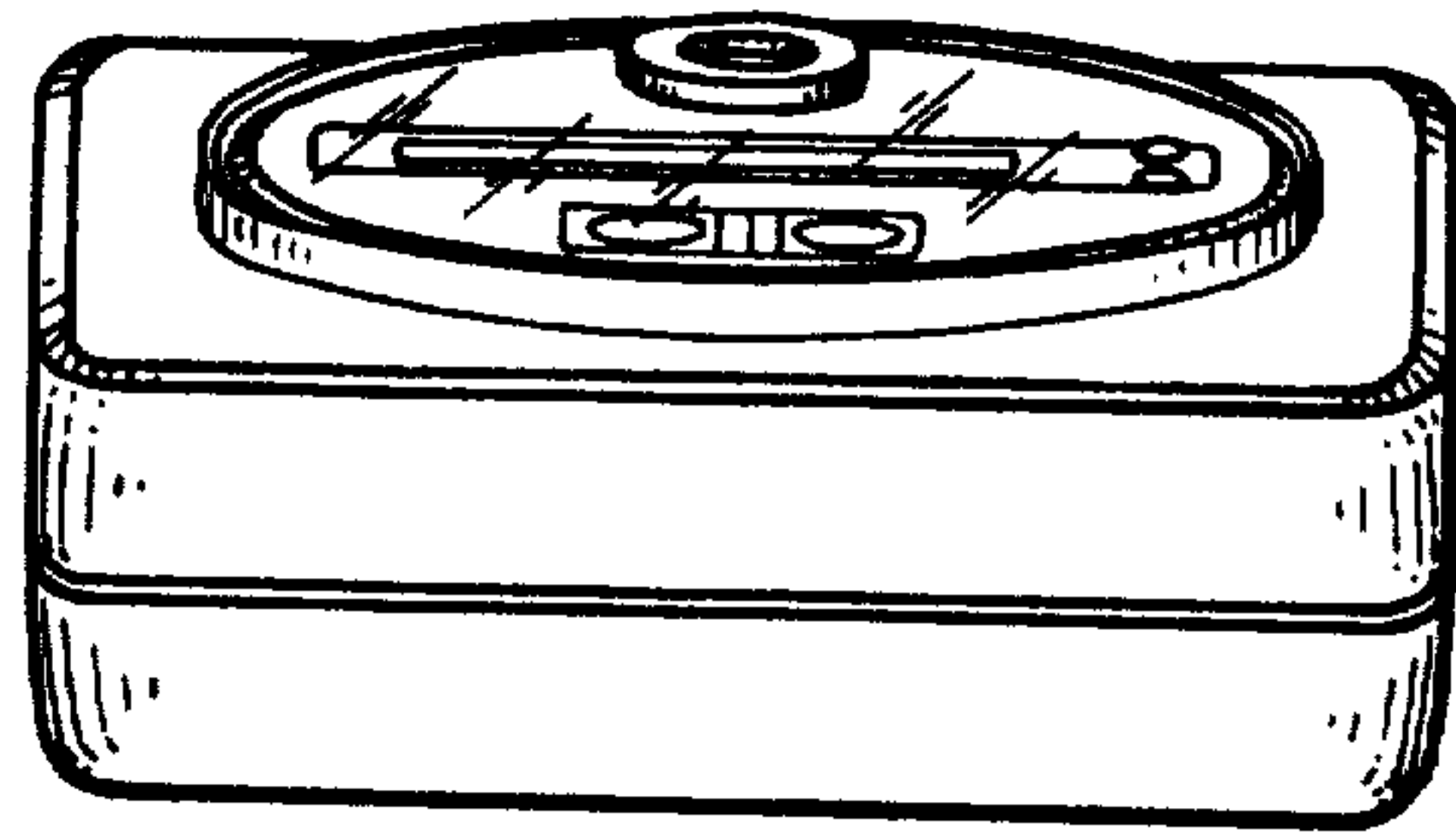


FIG. 5

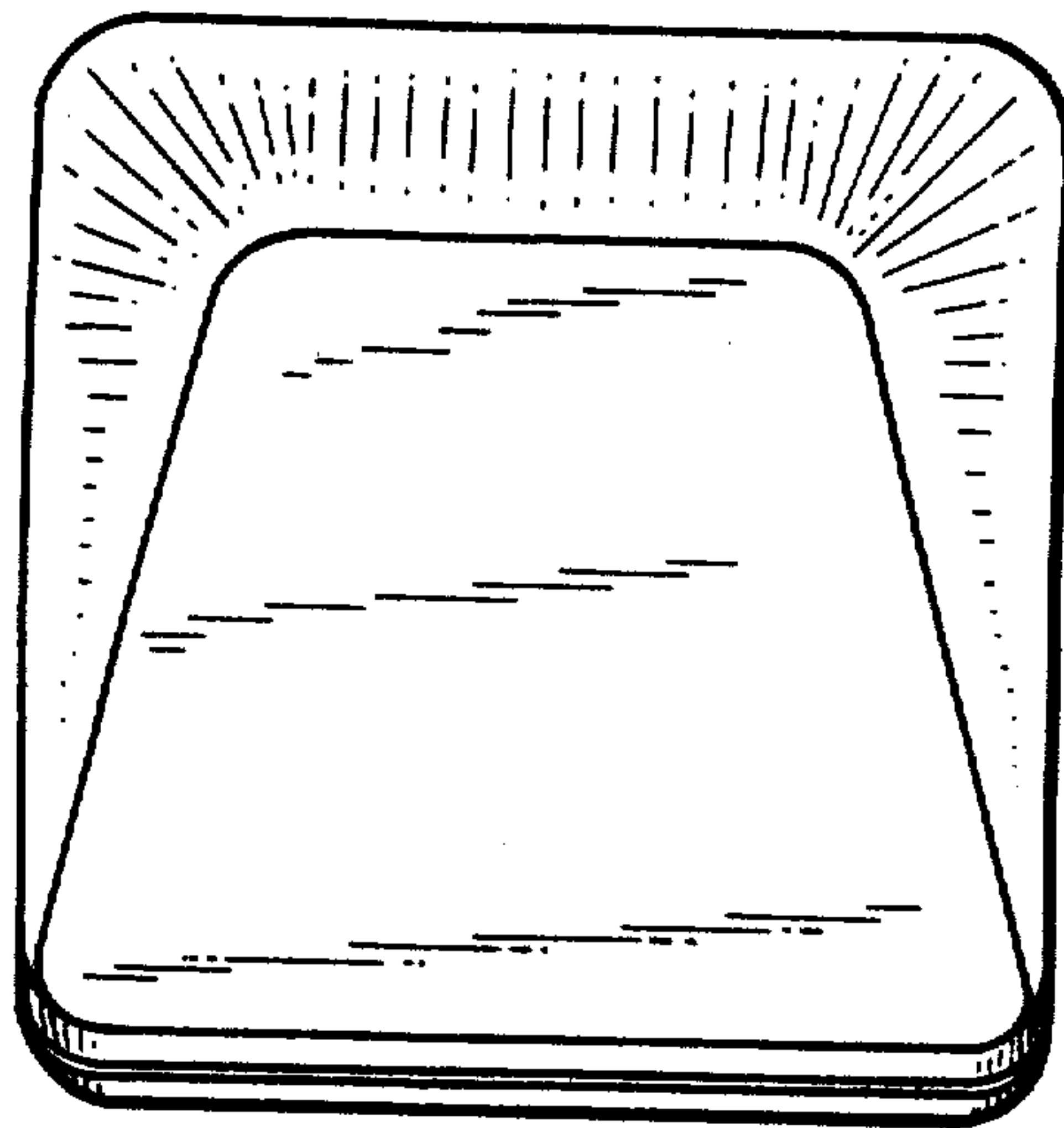


FIG. 6