

- [54] BUTTER TRAY OR THE LIKE
- [75] Inventor: Rino Conti, Stoughton, Mass.
- [73] Assignee: Dart Industries Inc., Northbrook, Ill.
- [**] Term: 14 Years
- [21] Appl. No.: 274,948
- [22] Filed: Jun. 18, 1981
- [51] Int. Cl. D07—01
- [52] U.S. Cl. D7/84; D7/21
- [58] Field of Search D7/37, 38, 84, 83, 21,
D7/19; D9/425, 424; D34/40, 43, 44

- D. 209,769 1/1968 Bateman et al. D7/38
- D. 215,958 11/1969 Daenen D7/84

Primary Examiner—Winifred E. Herrmann
Attorney, Agent, or Firm—Leigh B. Taylor

[57] CLAIM

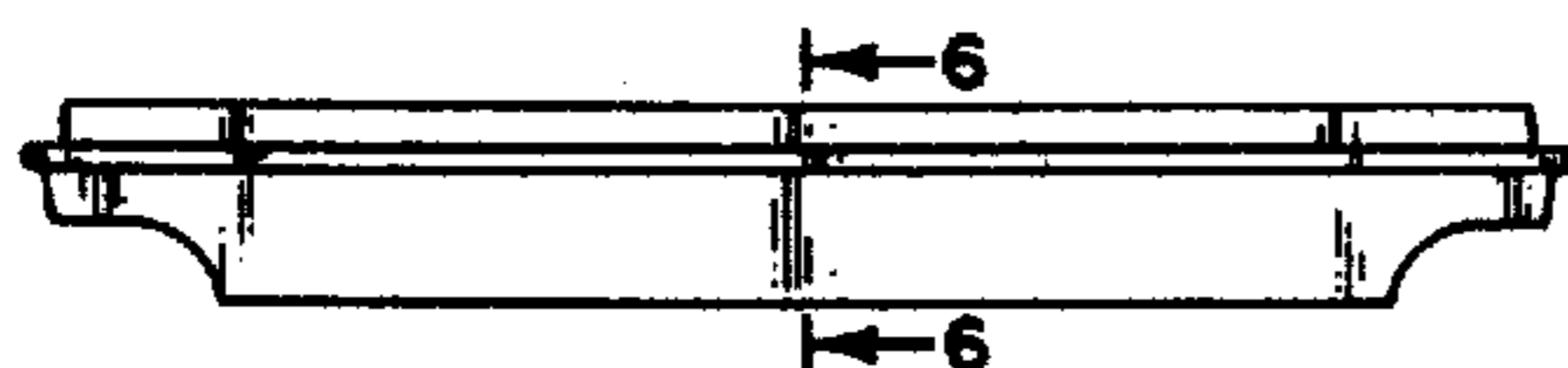
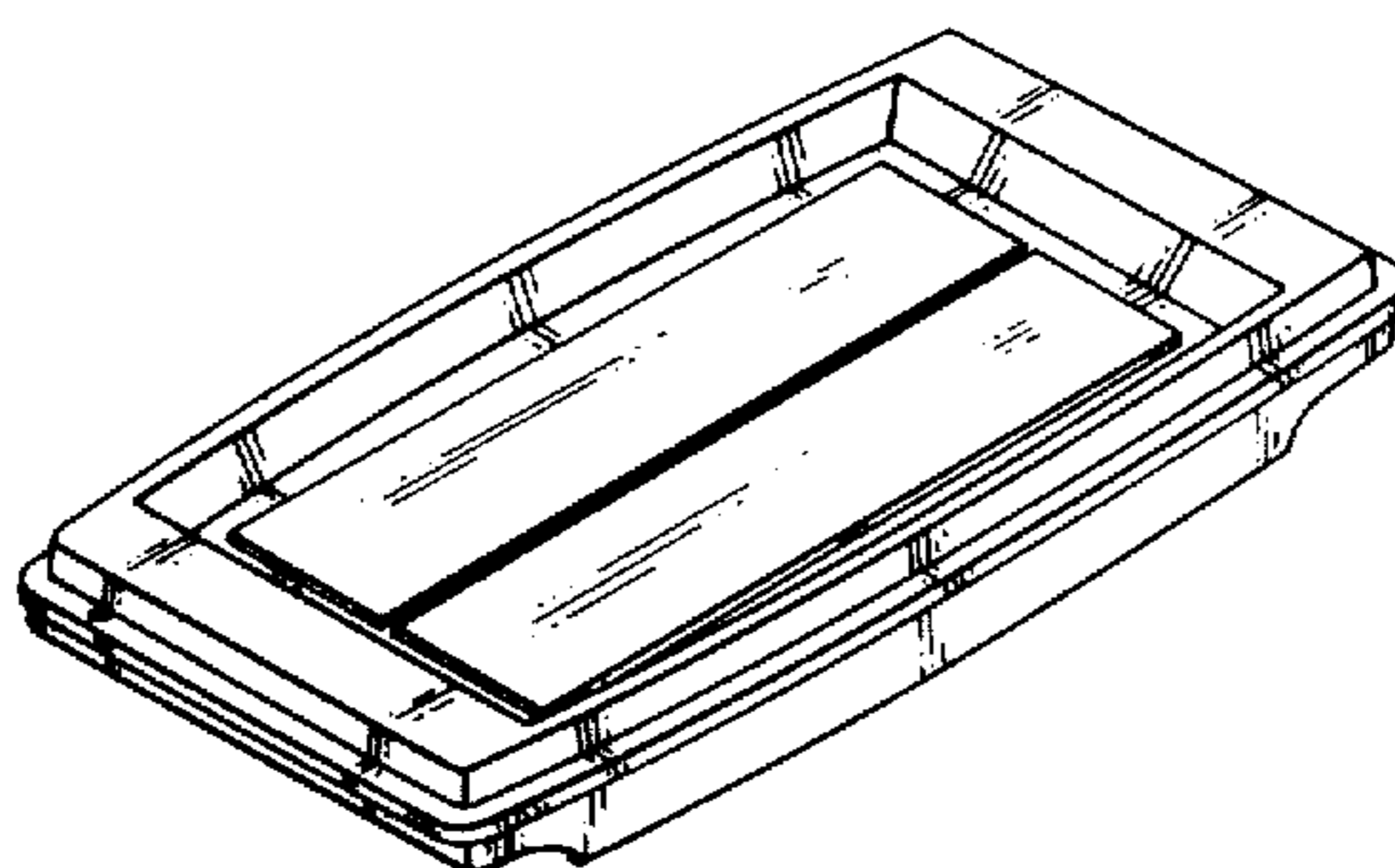
The ornamental design for a butter tray or the like, substantially as shown.

DESCRIPTION

FIG. 1 is a top perspective view of a butter tray or the like showing my new design;
 FIG. 2 is a side elevational view thereof;
 FIG. 3 is an end elevational view thereof;
 FIG. 4 is a top plan view thereof;
 FIG. 5 is a bottom plan view thereof;
 FIG. 6 is a cross-sectional view thereof taken along line 6—6 of FIG. 2; and
 FIG. 7 is a cross-sectional view thereof taken along line 7—7 of FIG. 3.

[56] References Cited
 U.S. PATENT DOCUMENTS

- D. 186,679 11/1959 Hopcraft D7/84
- D. 191,713 11/1961 Wolf et al. D7/84
- D. 204,614 5/1966 Swett D7/84
- D. 204,615 5/1966 Swett D7/84



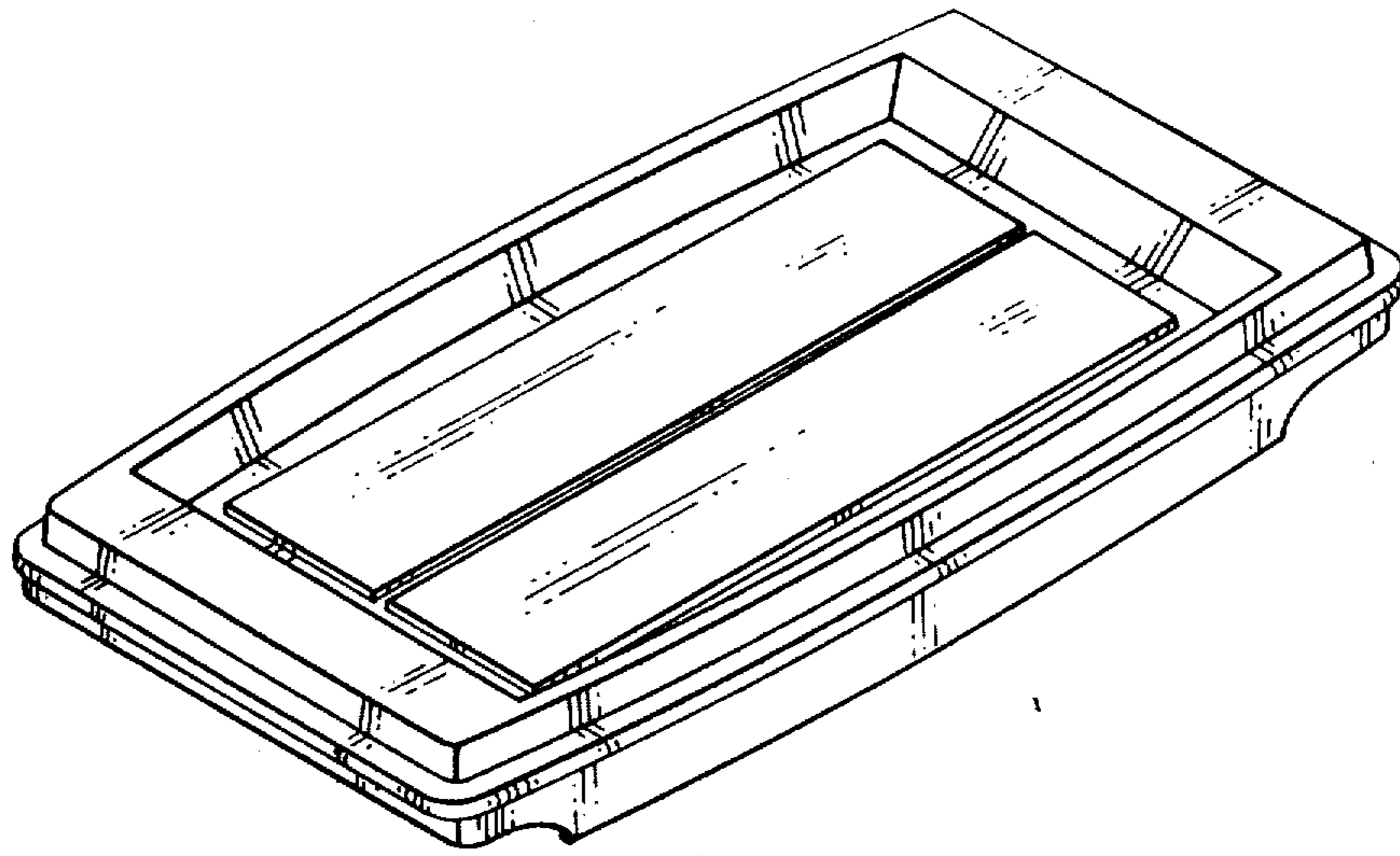


FIG. 1

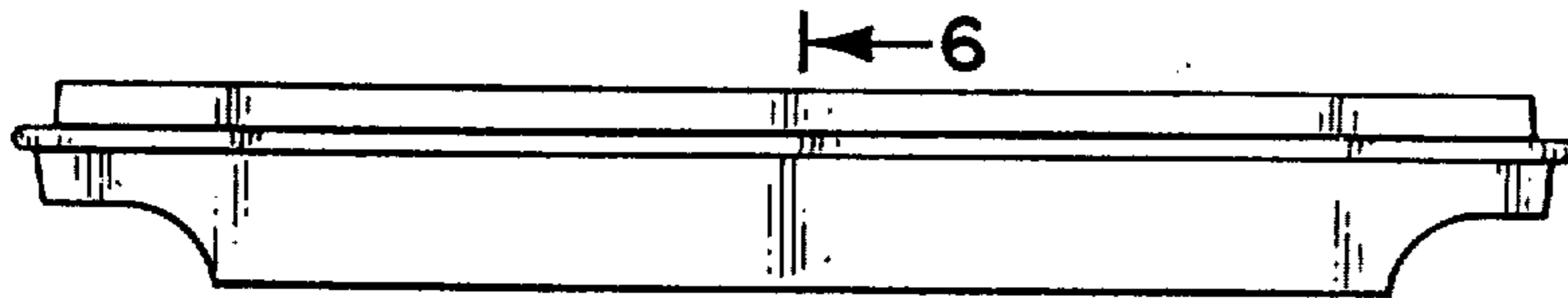


FIG. 2

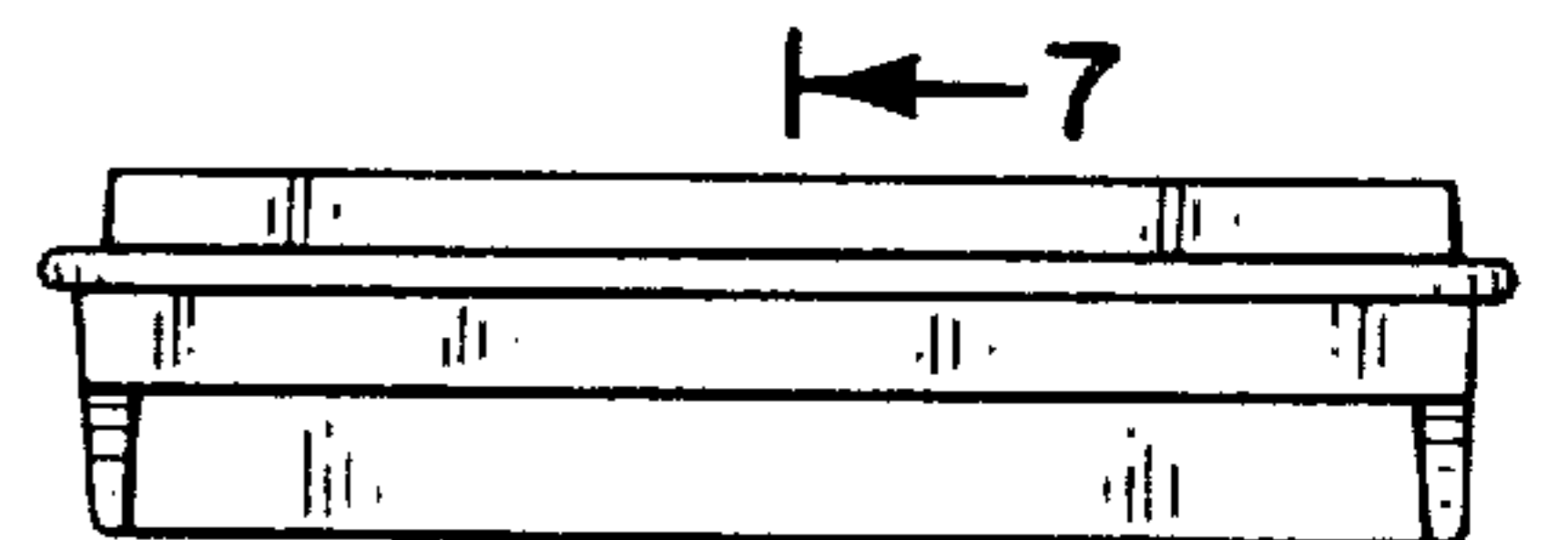


FIG. 3

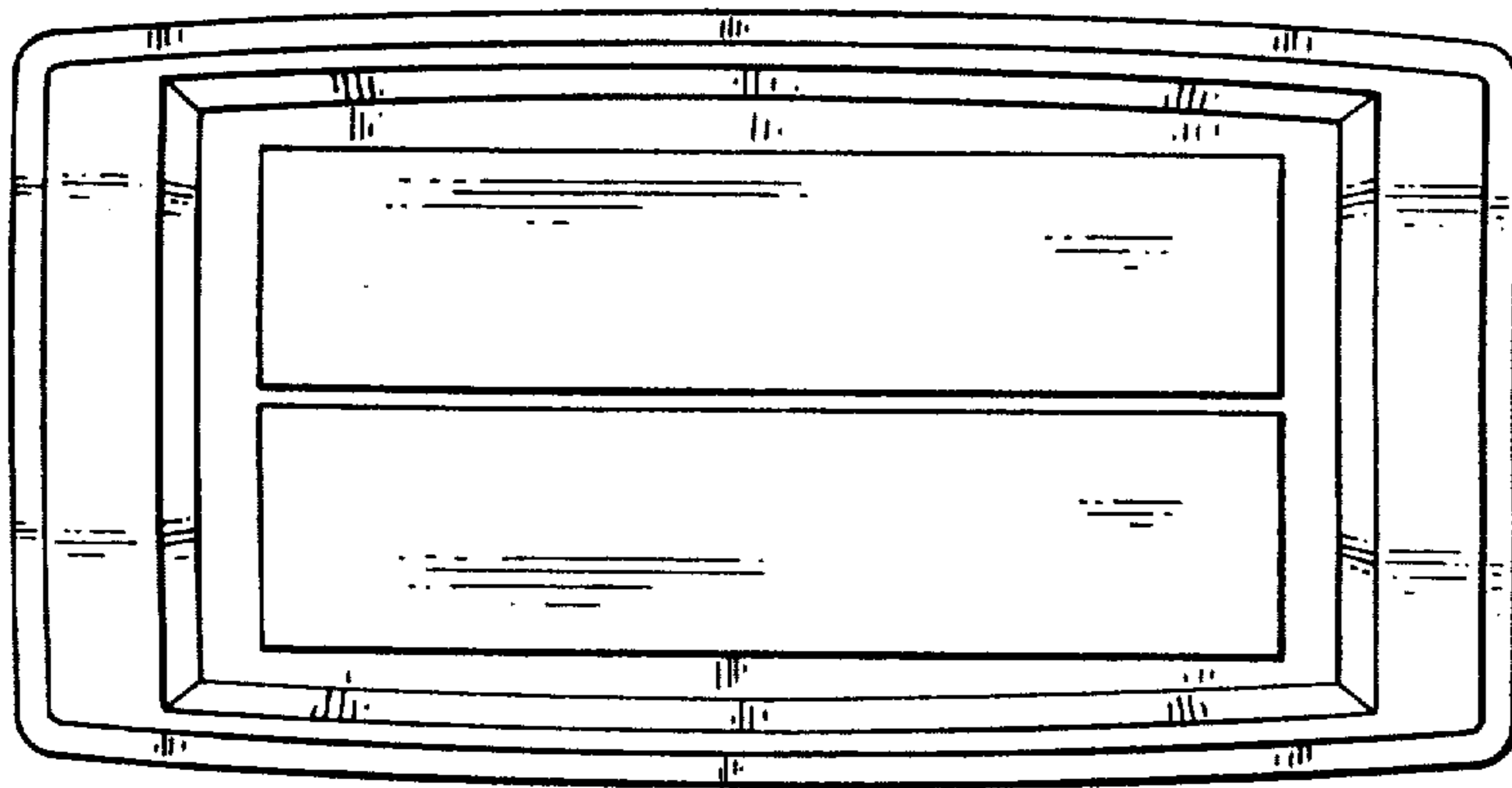


FIG. 4



FIG. 6

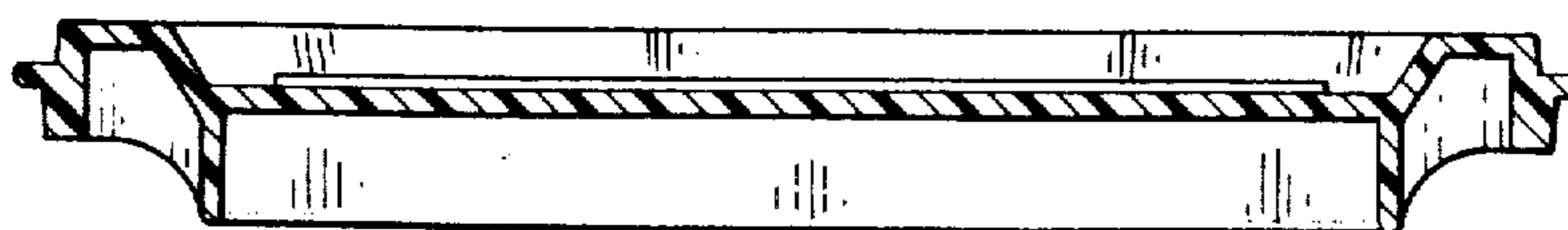


FIG. 7

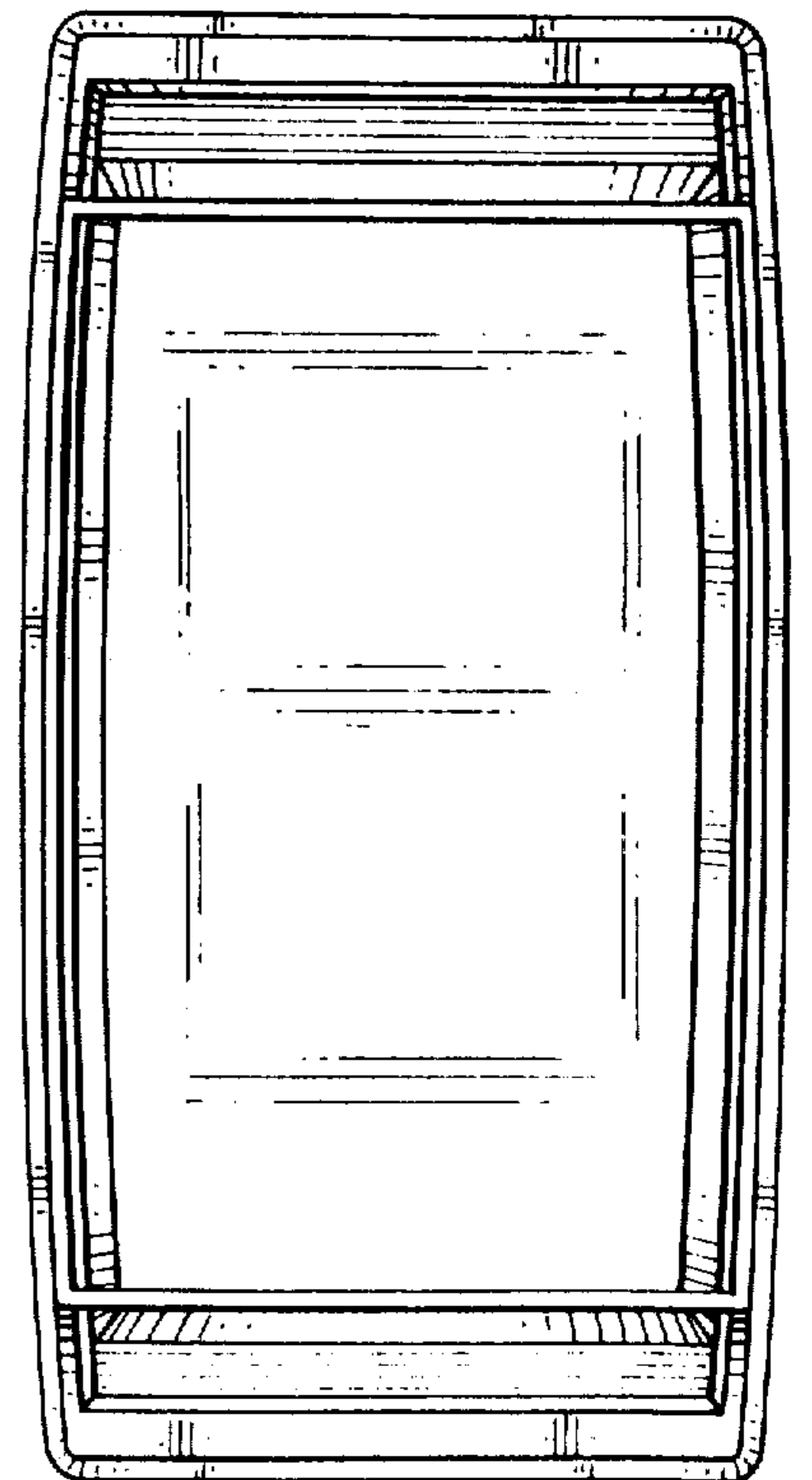


FIG. 5