

[54] CUTTING BOARD

[76] Inventor: Edwin A. Price, 16001 E. 11th Ave., Denver, Colo. 80211

[**] Term: 14 Years

[21] Appl. No.: 253,788

[22] Filed: Apr. 13, 1981

[51] Int. Cl. D7-04

[52] U.S. Cl. D7/46; D7/19

[58] Field of Search D7/46, 37, 19, 38

[56] References Cited

U.S. PATENT DOCUMENTS

| | | | | |
|------------|---------|--------------|-------|---------|
| D. 200,970 | 4/1965 | Miller | | D7/46 X |
| D. 239,688 | 4/1976 | Doman et al. | | D7/46 |
| D. 253,744 | 12/1979 | Davis | | D7/46 |
| D. 262,507 | 1/1982 | Wooldridge | | D7/37 X |

OTHER PUBLICATIONS

The Gift & Art Buyer, Sep. 1960, p. 28, Andri Woodcarvings, Inc., Handled Tray/Board at top left.
Tableware International, Jul. 1976, p. 26, Portuguese Cheese Board at far r.-middle panel.

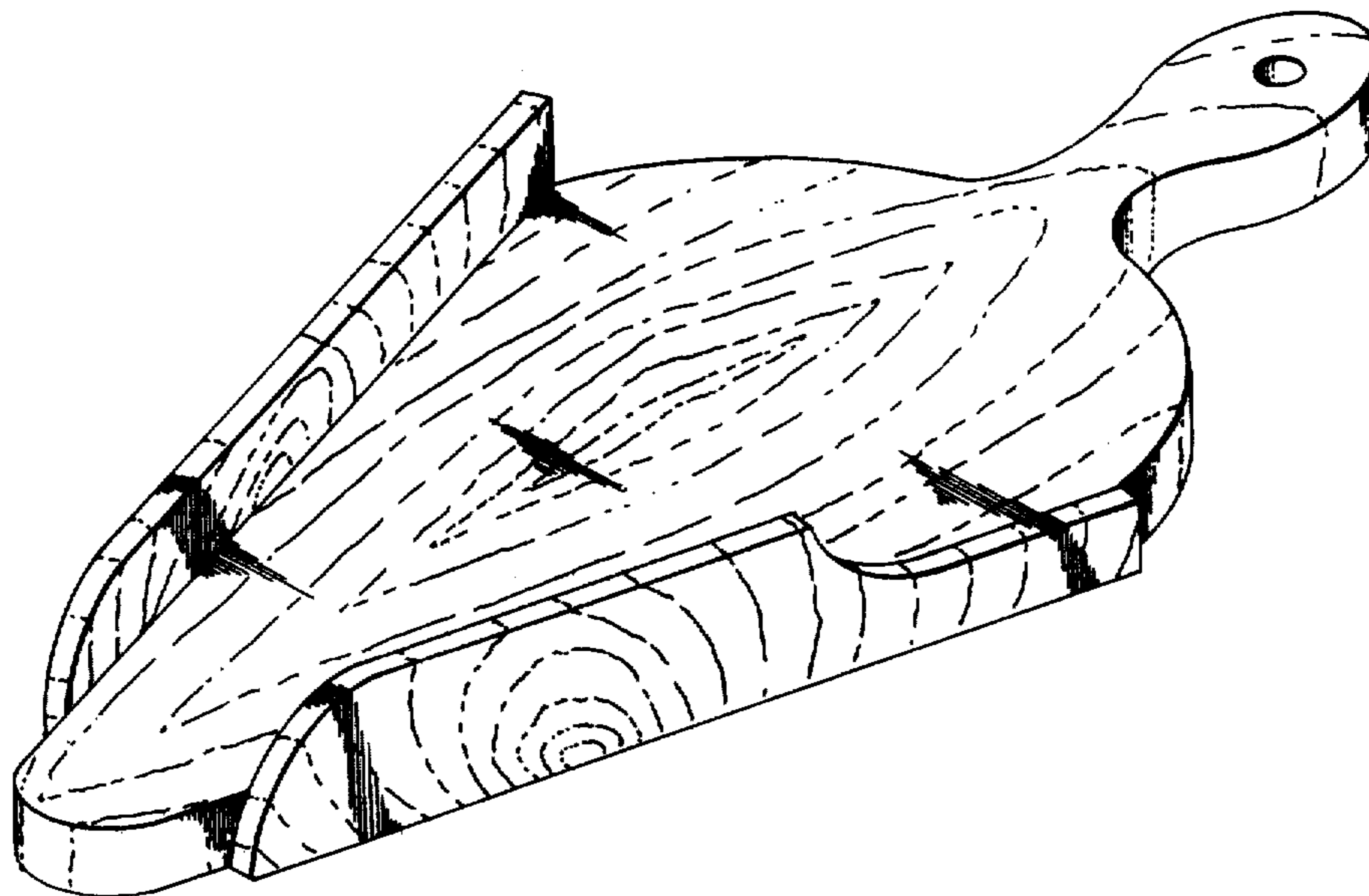
Primary Examiner—Winifred E. Herrmann

[57] CLAIM

The ornamental design for a cutting board, as shown and described.

DESCRIPTION

FIG. 1 is a top perspective view of a cutting board showing my new design;
FIG. 2 is an inverted left side elevational view thereof;
FIG. 3 is a top plan view thereof;
FIG. 4 is a right side elevational view thereof;
FIG. 5 is a front elevational view thereof;
FIG. 6 is a bottom plan view thereof; and
FIG. 7 is an inverted rear elevational view thereof.



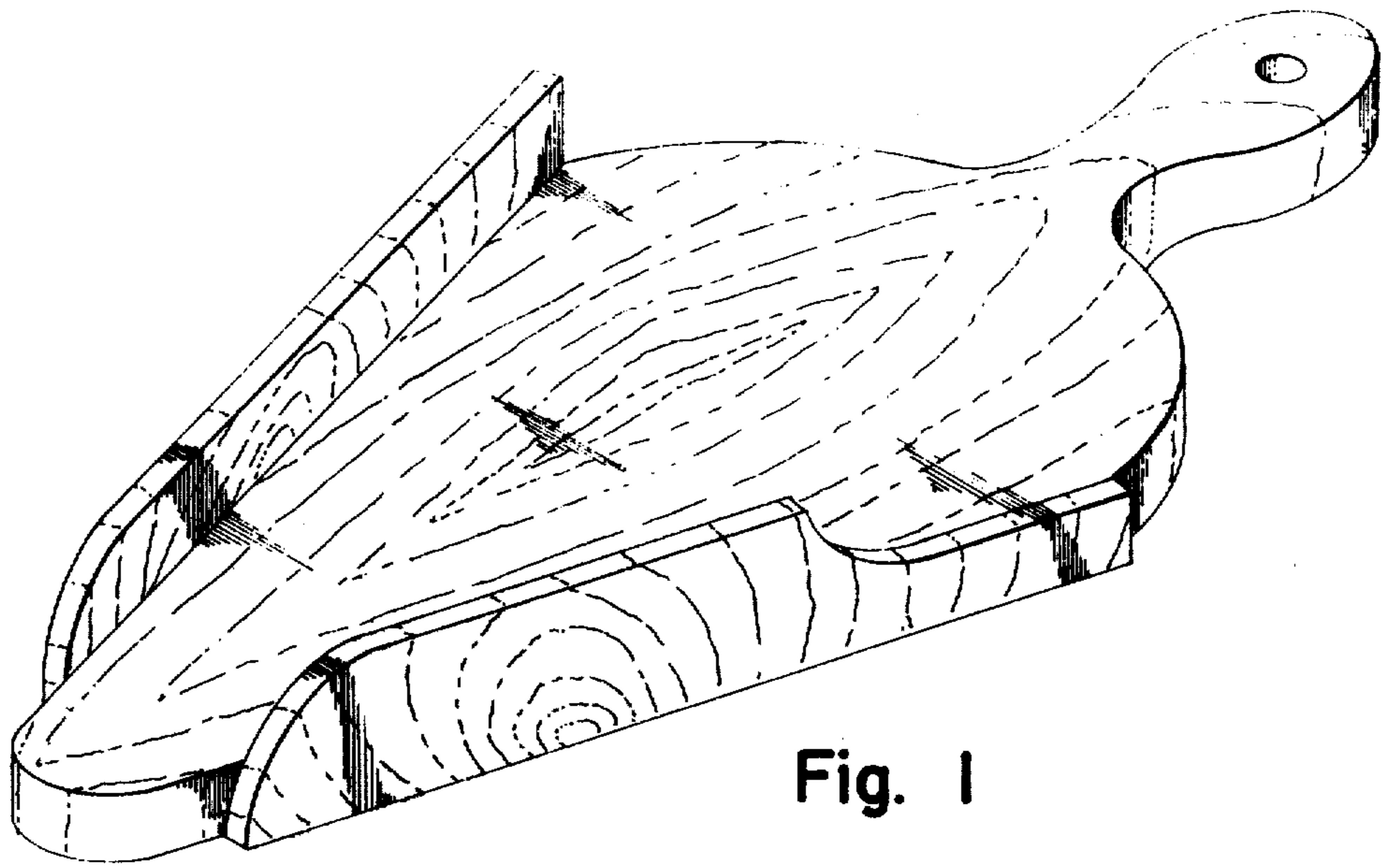


Fig. 1

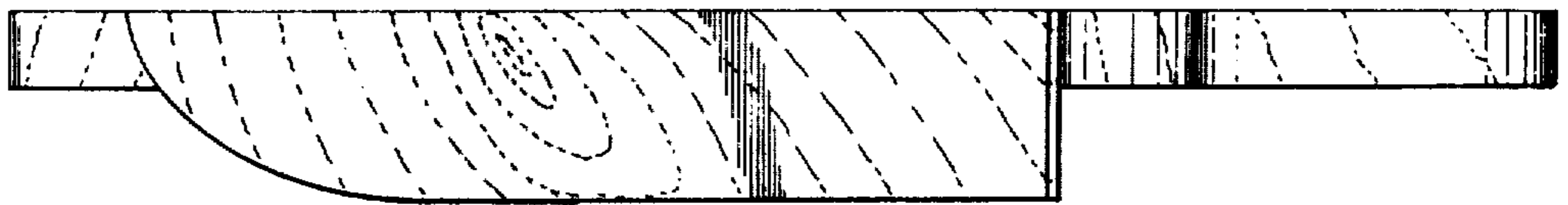


Fig. 2

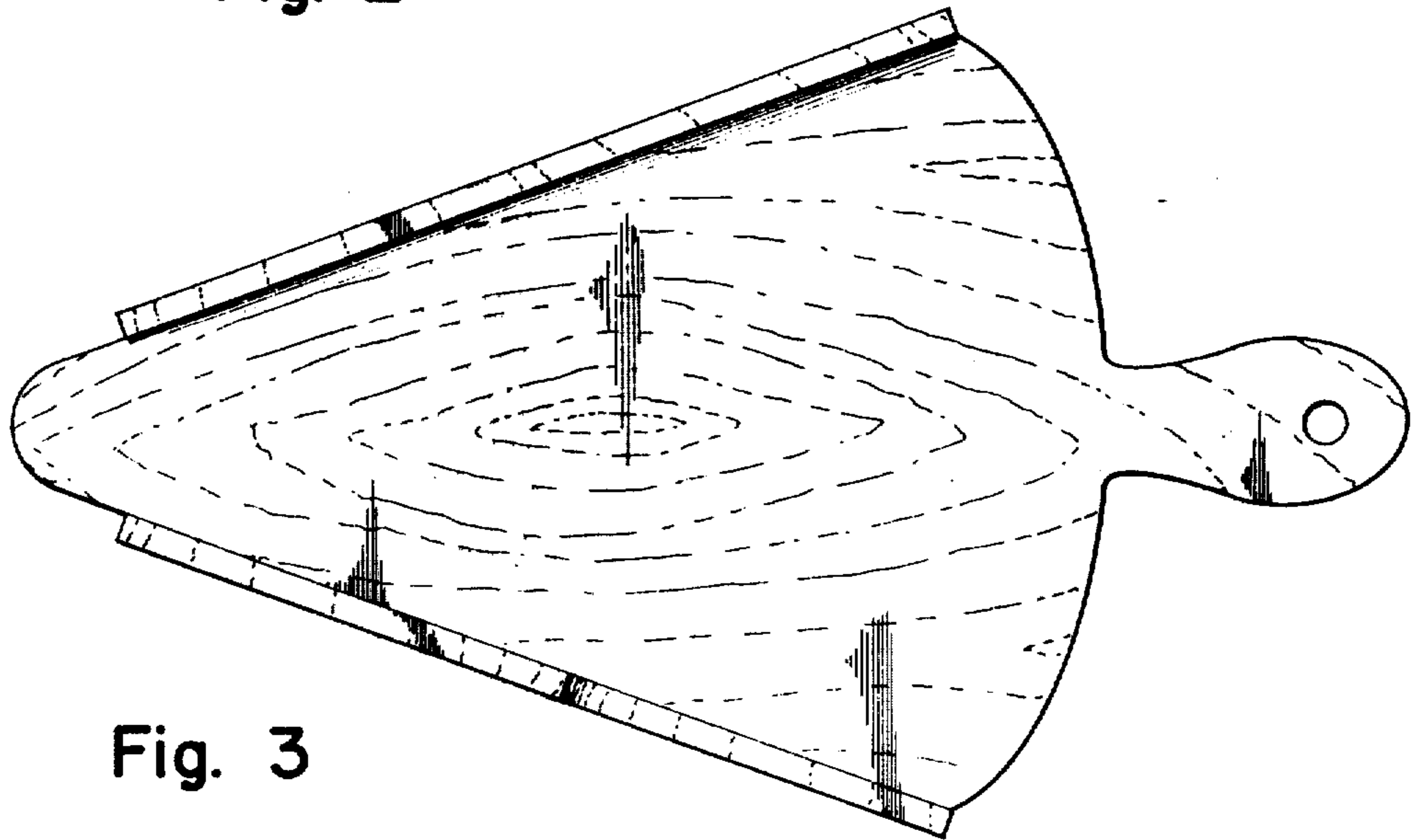


Fig. 3



Fig. 4



Fig. 5

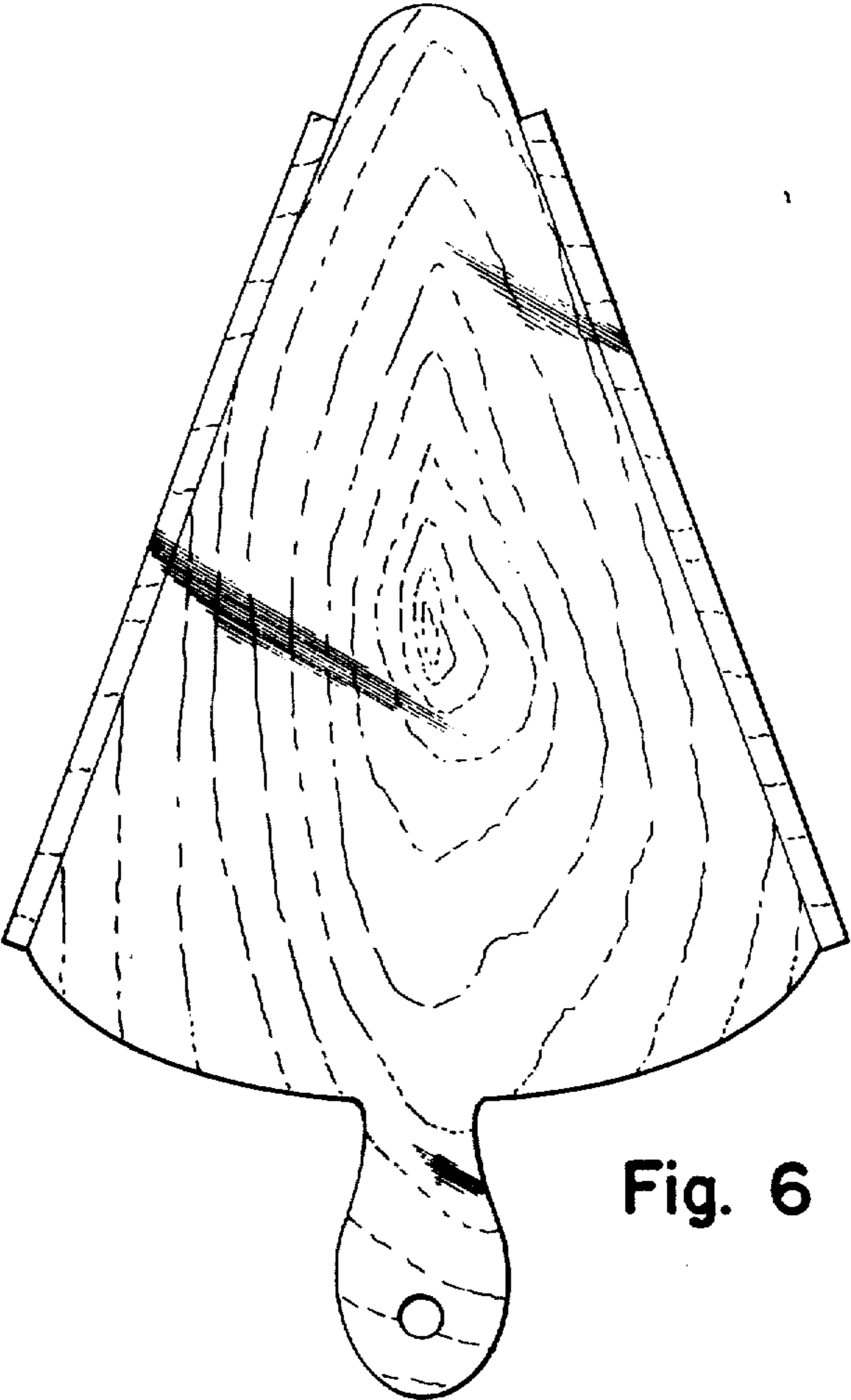


Fig. 6

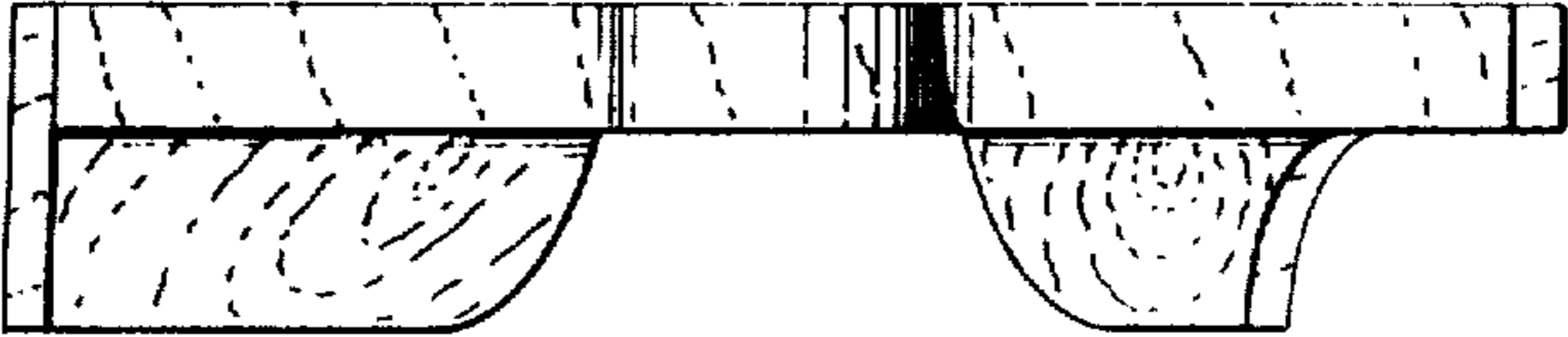


Fig. 7