

[54] BUTTER DISH COVER OR THE LIKE

3,426,935 2/1969 Swett D7/84 X

[75] Inventor: Rino Conti, Stoughton, Mass.

[73] Assignee: Dart Industries, Inc., Northbrook, Ill.

[**] Term: 14 Years

[21] Appl. No.: 274,949

[22] Filed: Jun. 18, 1981

[51] Int. Cl. D07-01

[52] U.S. Cl. D7/40; D7/391

[58] Field of Search D7/40, 76, 39, 391, D7/18, 16, 82, 83, 84; D9/435, 414, 423, 424, 430, 432; D3/30.1

[56] References Cited

U.S. PATENT DOCUMENTS

- D. 192,870 5/1962 Schwartz D7/84
- D. 235,406 6/1975 Daenen D7/84 X
- D. 261,214 10/1981 Oelzner D7/84

OTHER PUBLICATIONS

Pyrex Ware, Supplement to Home Furnishings Daily, Jan. 12, 1960, p. 2, top right, Space Saver Casserole, 2 Qt./Clear Cover.

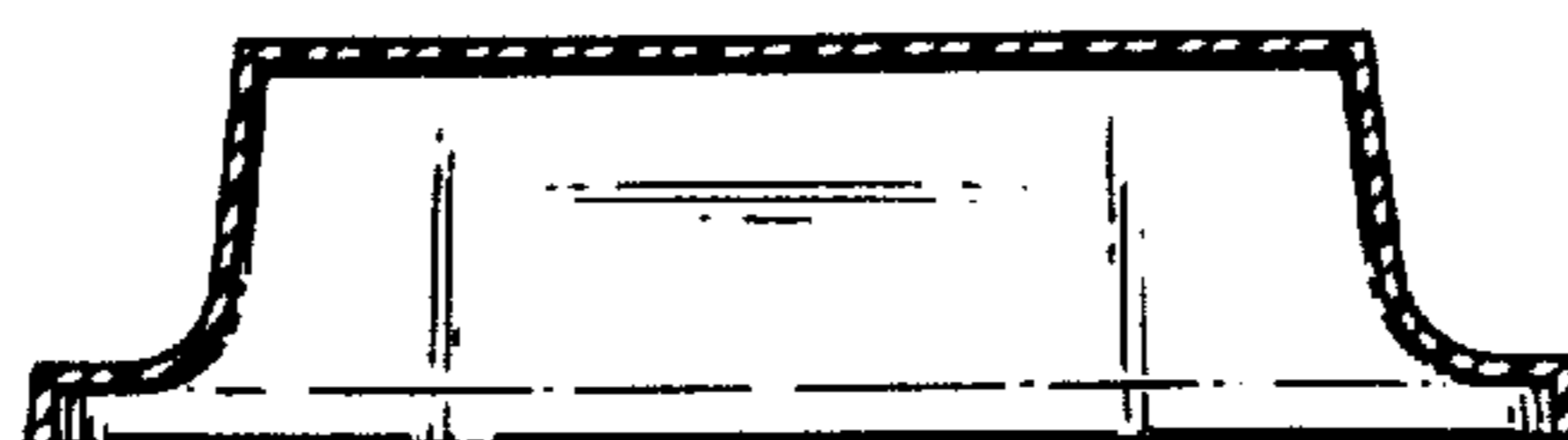
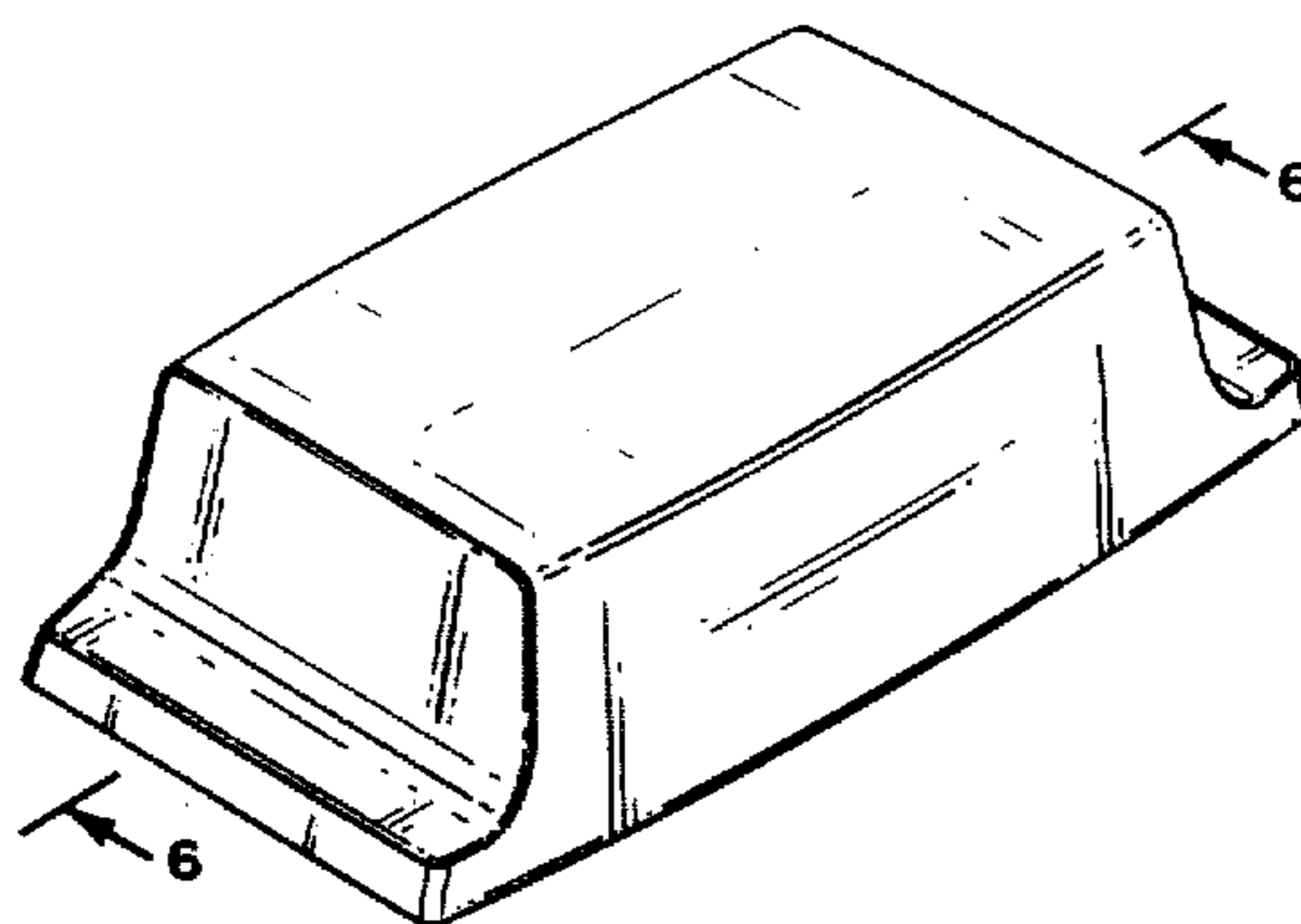
Primary Examiner—Winifred E. Herrmann
Attorney, Agent, or Firm—Leigh B. Taylor

[57] CLAIM

The ornamental design for a butter dish cover or the like, substantially as shown.

DESCRIPTION

FIG. 1 is a top perspective view of a butter dish cover or the like showing my new design; FIG. 2 is a side elevational view thereof; FIG. 3 is an end elevational view thereof; FIG. 4 is a top plan view thereof; FIG. 5 is a bottom plan view thereof; and FIG. 6 is a cross-sectional view thereof taken along line 6-6 of FIG. 1.



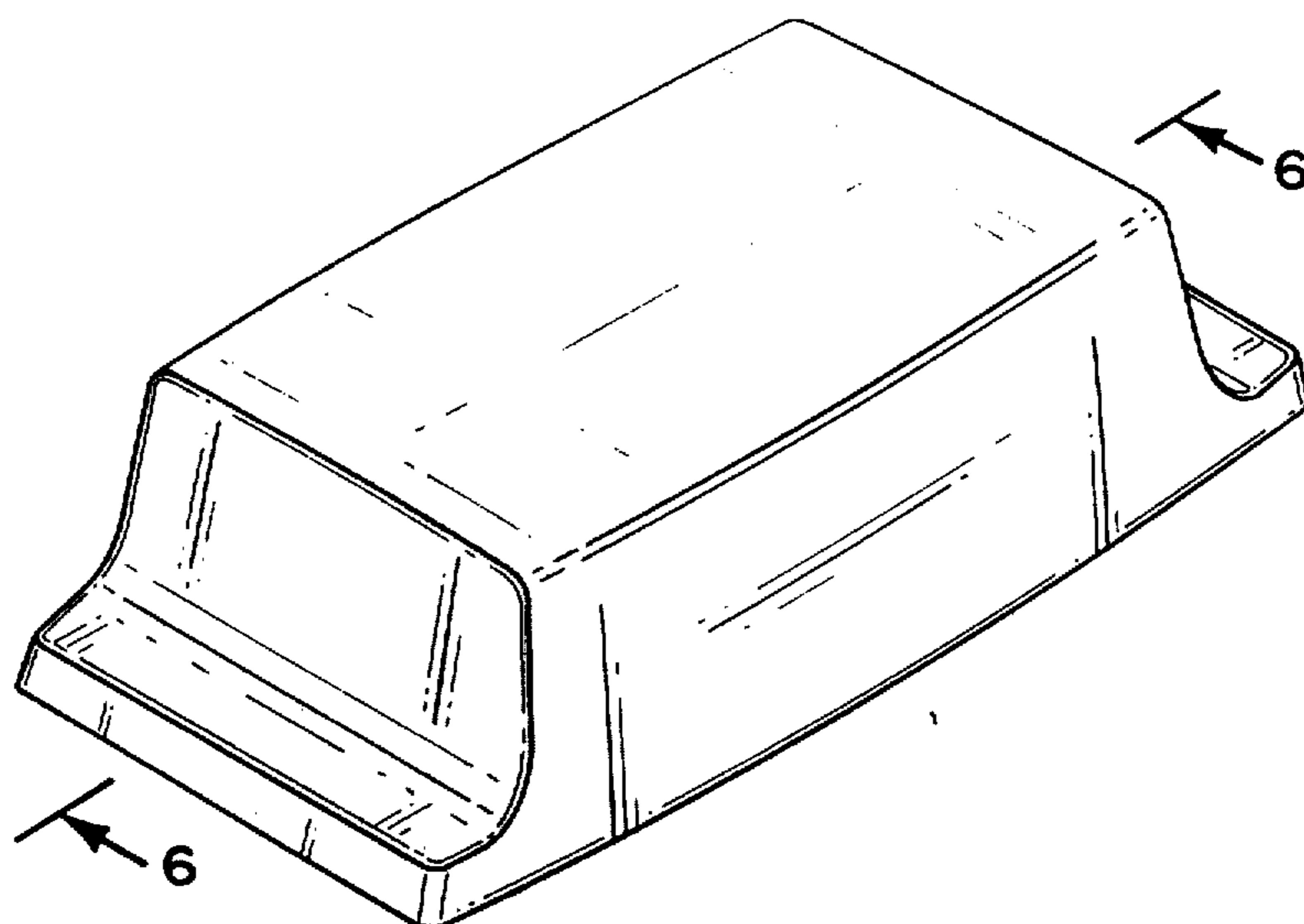


FIG. 1

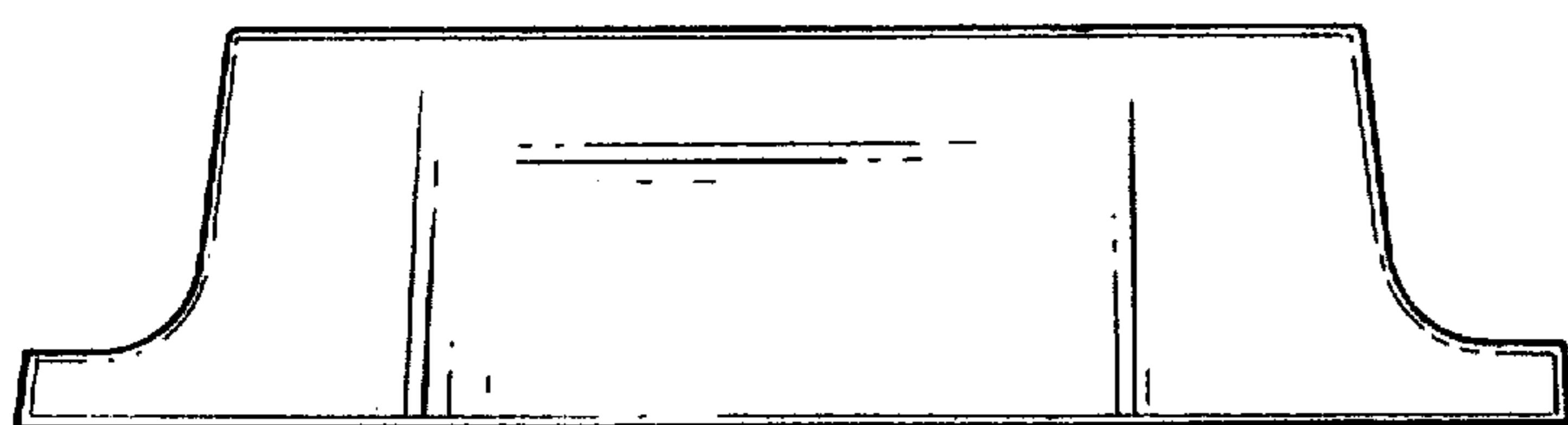


FIG. 2

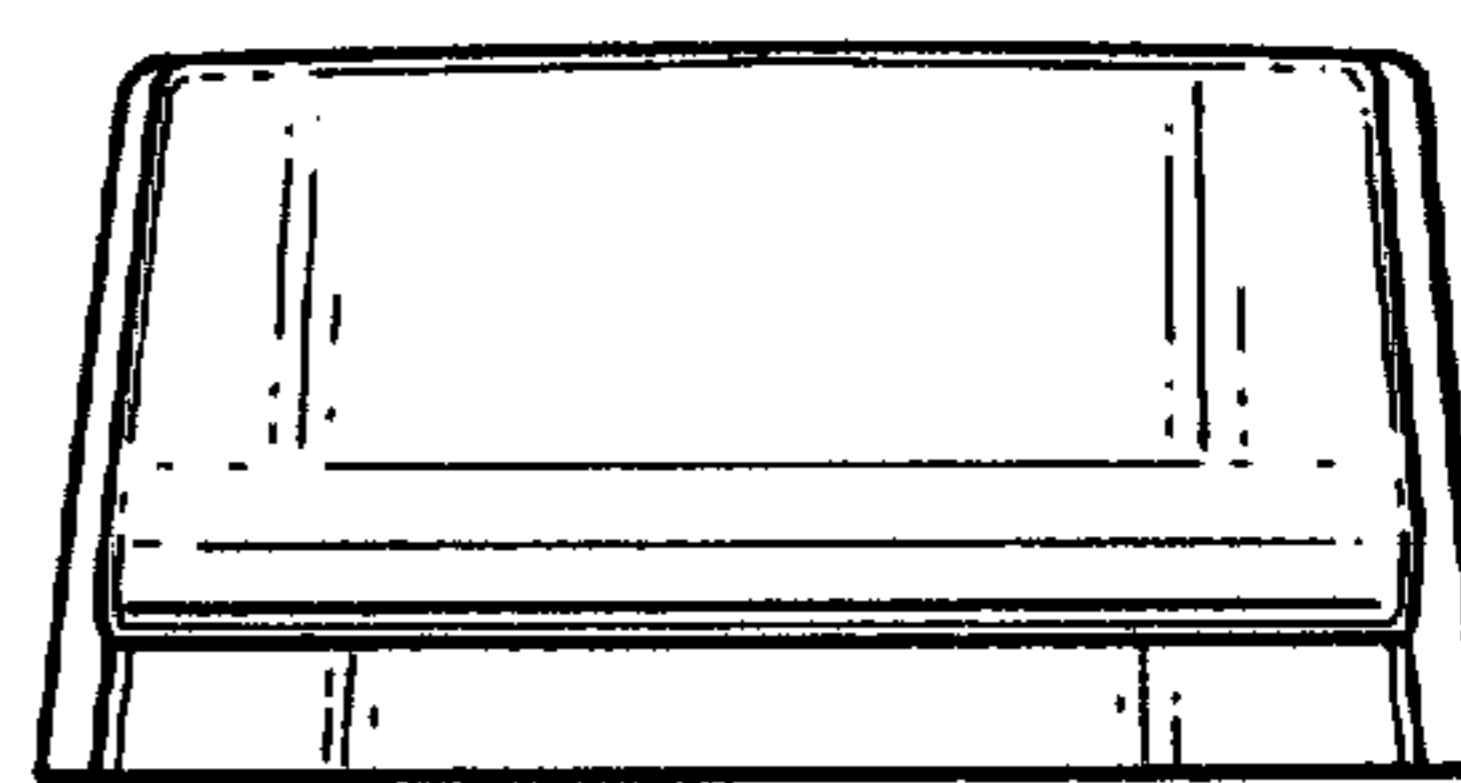


FIG. 3

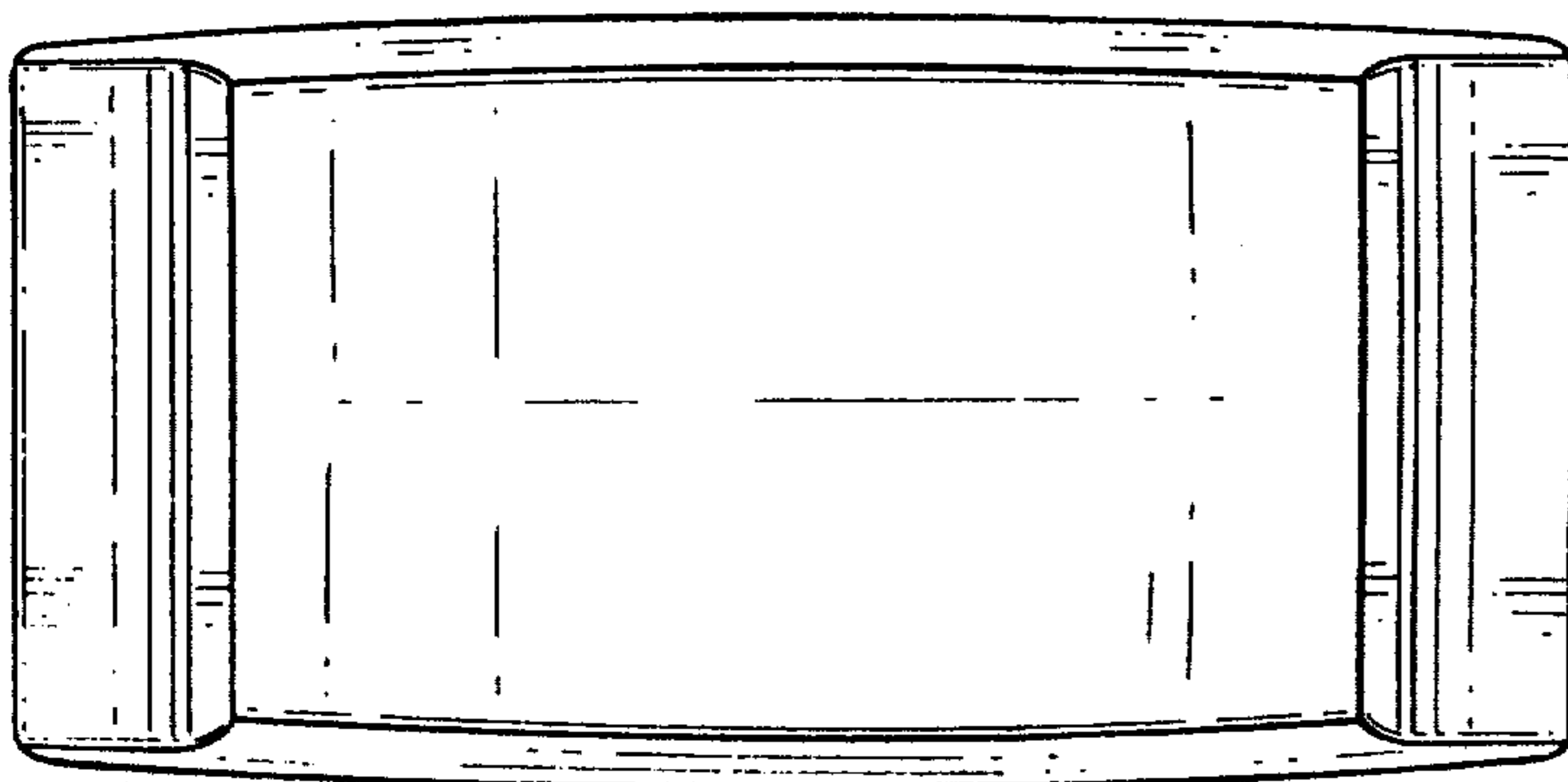


FIG. 4

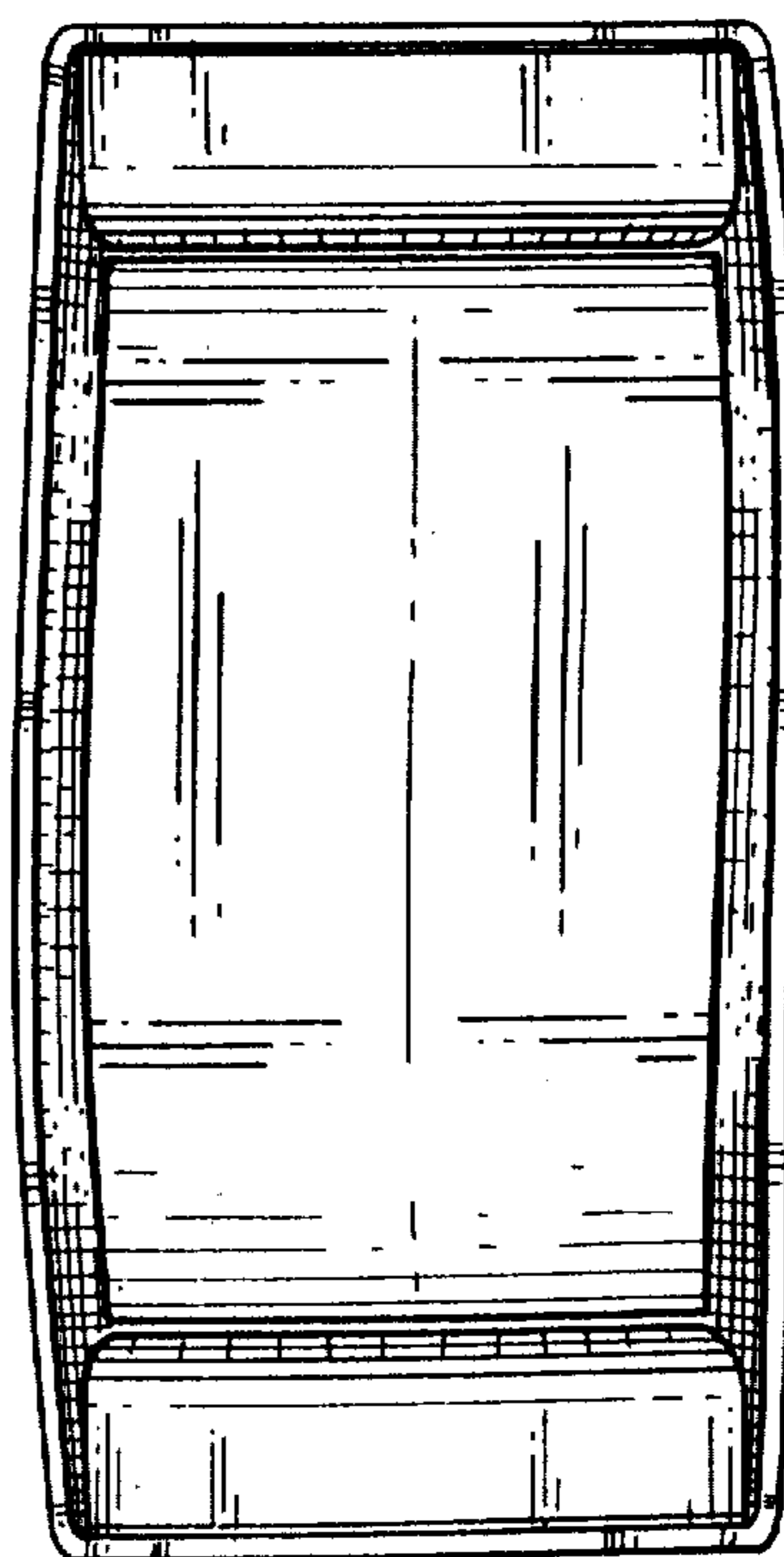


FIG. 5

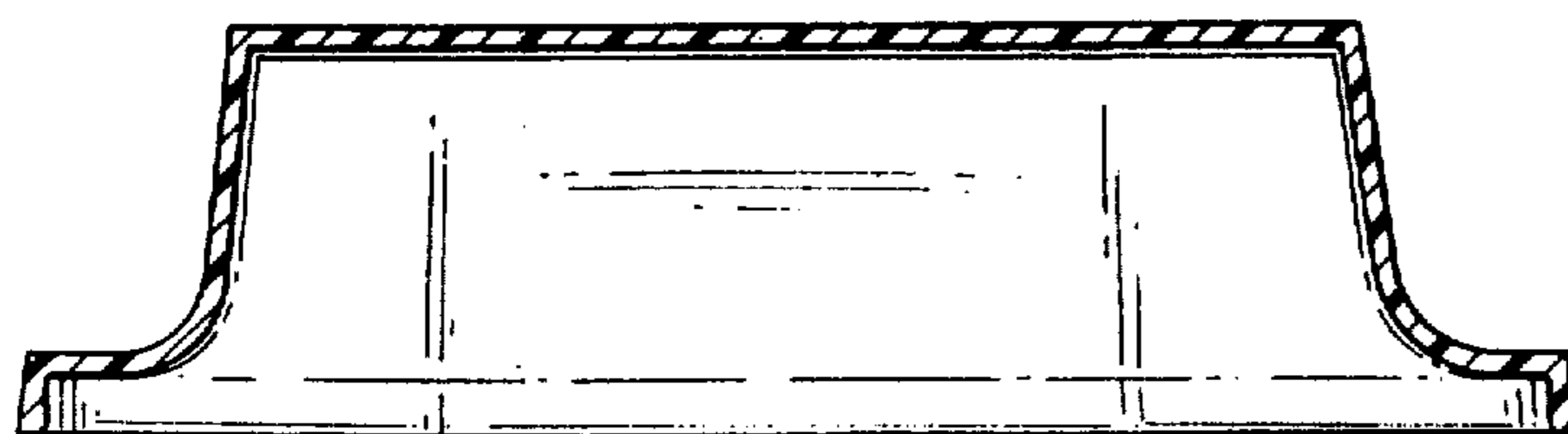


FIG. 6