

[54] COFFEE TABLE

[76] Inventor: Bruce N. Lee, 19 Columbia Ave., Trenton, N.J. 08618

[\*\*] Term: 14 Years

[21] Appl. No.: 276,314

[22] Filed: Jun. 22, 1981

[51] Int. Cl. .... D6-03

[52] U.S. Cl. .... D6/177

[58] Field of Search ..... D6/146-149, D6/175, 177-179

[56]

References Cited

U.S. PATENT DOCUMENTS

- D. 138,819 9/1944 Larson ..... D6/177
- D. 152,998 3/1949 Martin ..... D6/177
- D. 159,561 8/1950 Tanier ..... D6/177

- D. 253,260 10/1979 Avery ..... D6/177
- D. 255,075 5/1980 Adkinson ..... D6/177 X

Primary Examiner—Bruce W. Dunkins  
Attorney, Agent, or Firm—Frederick A. Zoda; John J. Kane

[57] CLAIM

The ornamental design for a coffee table, as shown.

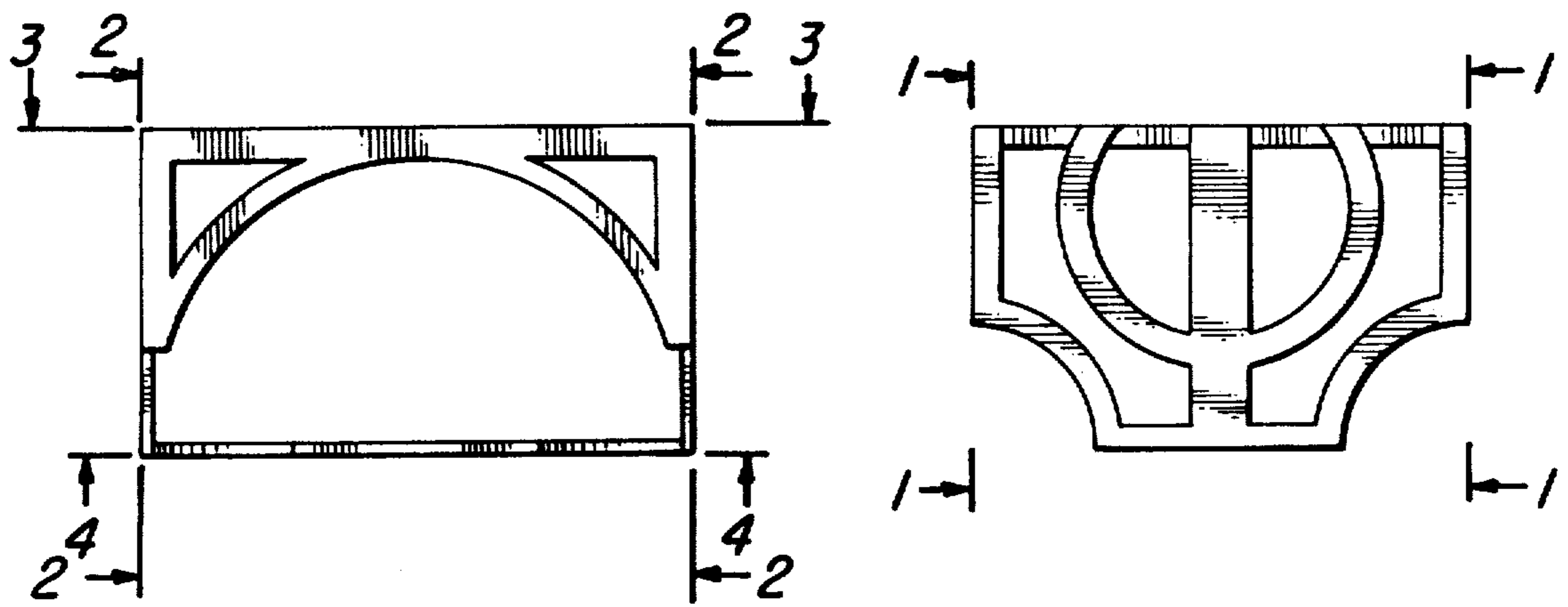
DESCRIPTION

FIG. 1 is a side elevational view of a coffee table embodying my new design, as seen from either of the lines 1—1 of FIG. 2;

FIG. 2 is a side elevational view thereof as seen from either line 2—2 of FIG. 1;

FIG. 3 is a top plan view as seen from line 3—3 of FIG. 1; and

FIG. 4 is a bottom plan view as seen from line 4—4 of FIG. 1.



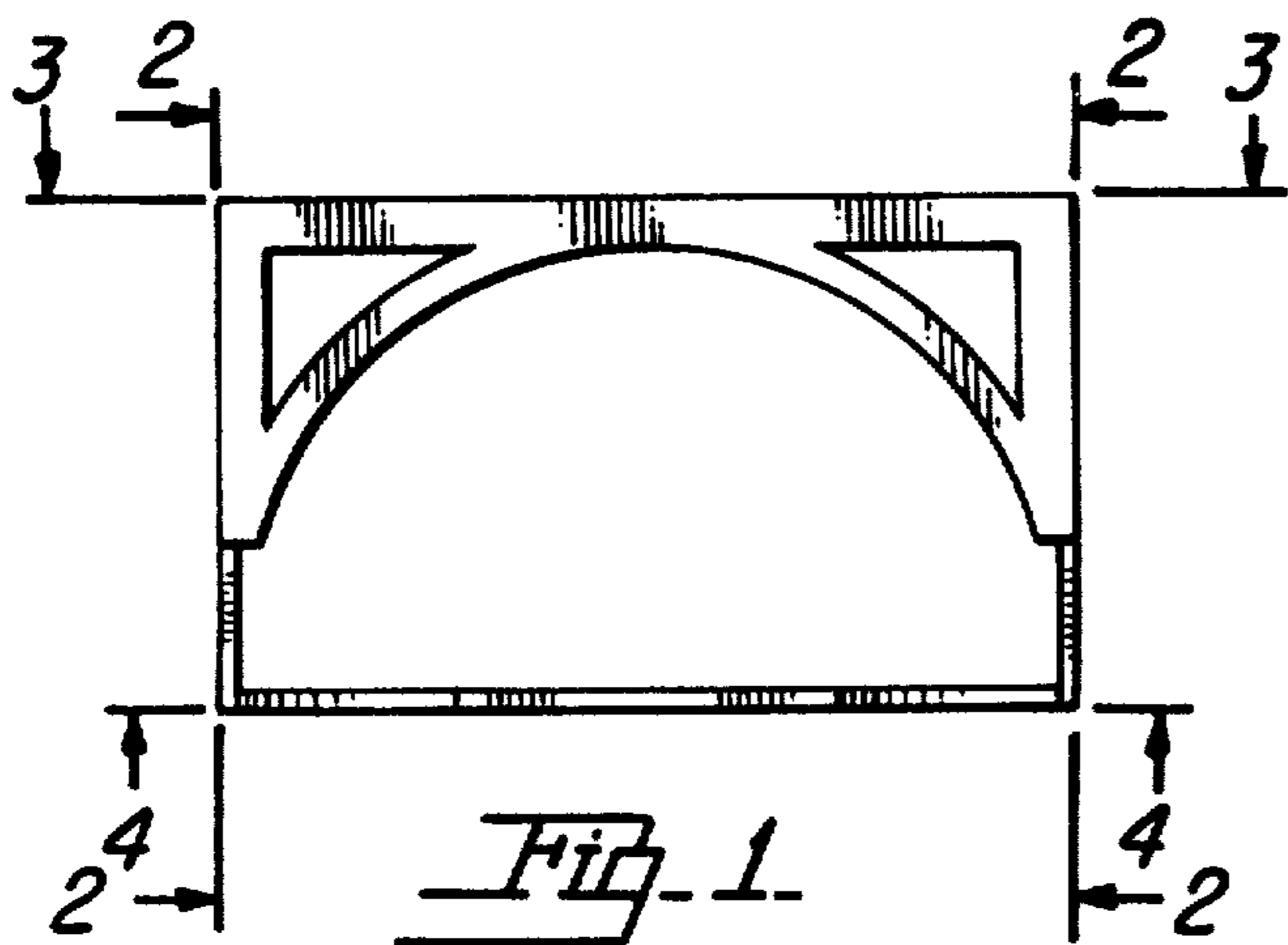


Fig. 1.

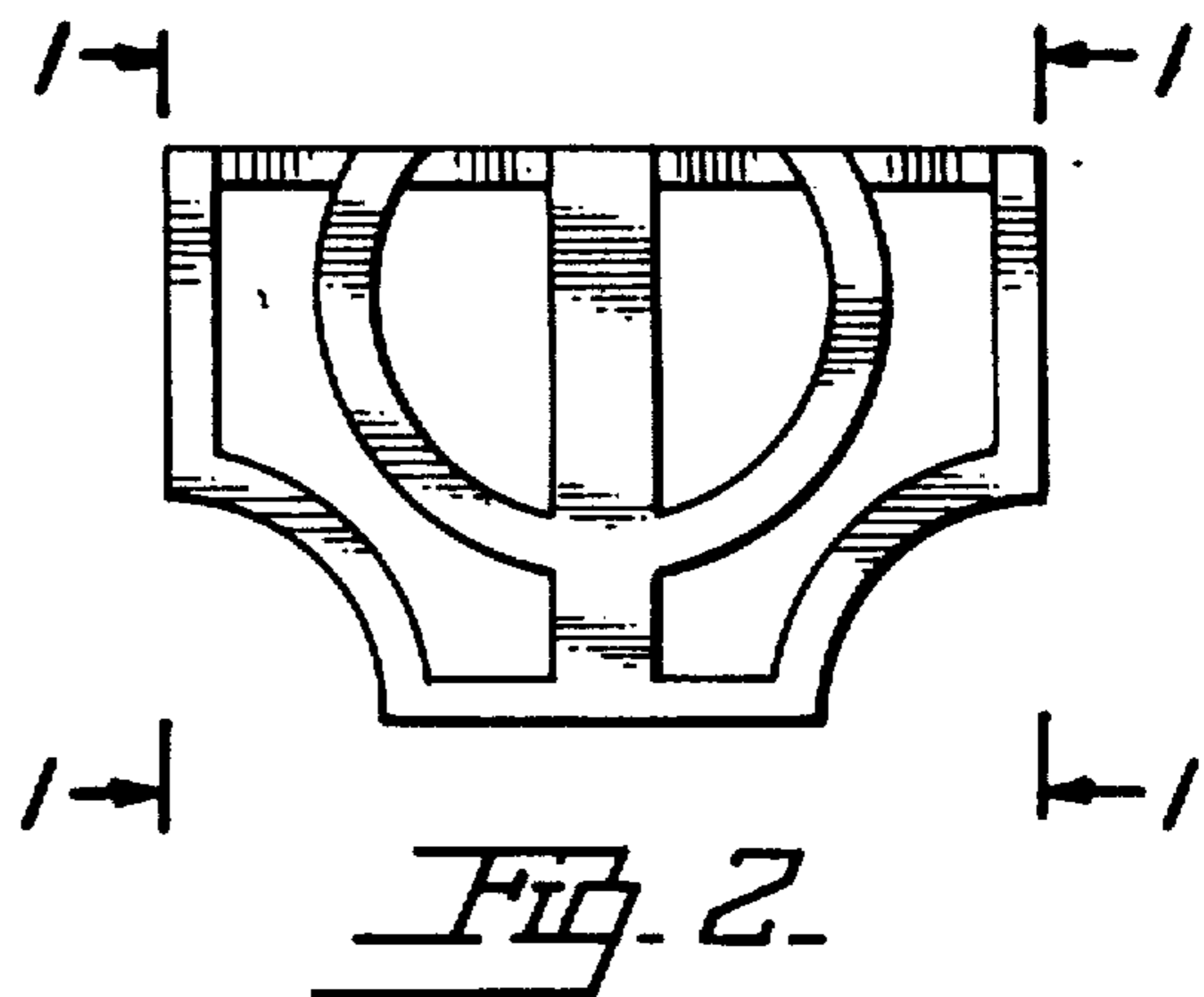


Fig. 2.

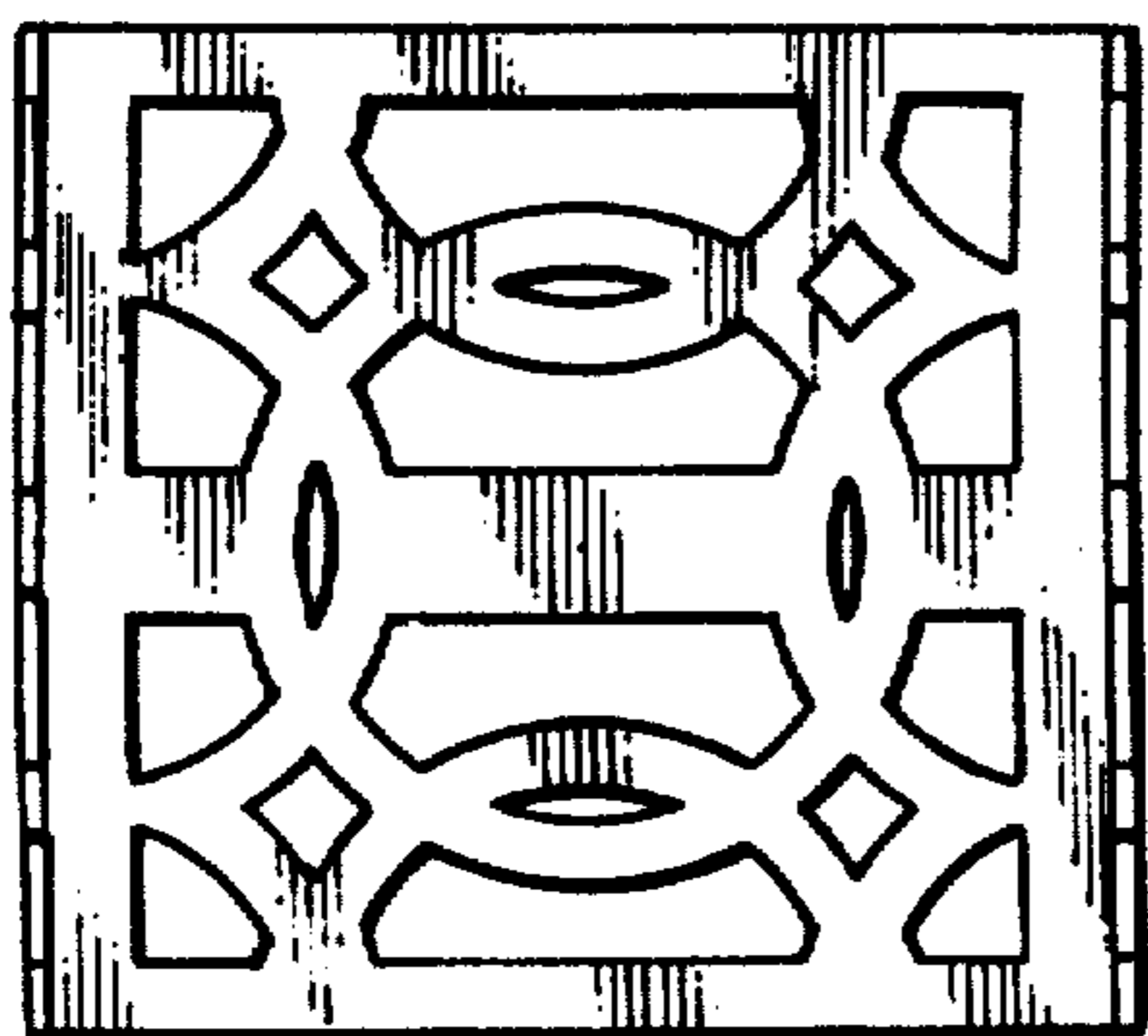


Fig. 3.

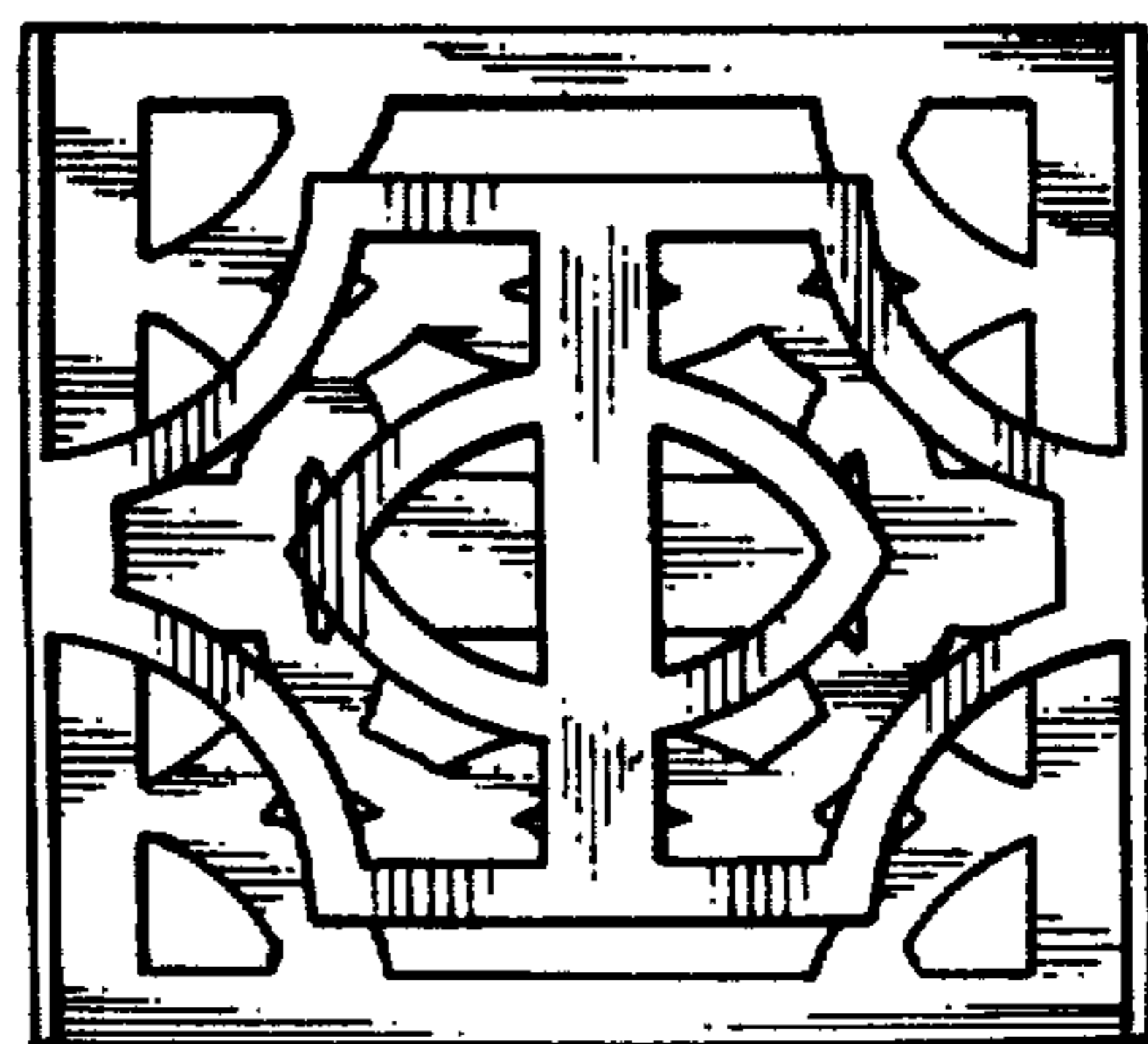


Fig. 4.