

[54] **CHAIR**

[76] Inventor: **Frank E. Bird, Jr.**, P.O. Box 345,
Loganville, Ga. 30249

[**] Term: **14 Years**

[21] Appl. No.: **243,721**

[22] Filed: **Mar. 16, 1981**

[51] Int. Cl. **D6-01**

[52] U.S. Cl. **D6/30**

[58] Field of Search **D6/20, 26, 30, 31-36,**
D6/8

[56] **References Cited**

U.S. PATENT DOCUMENTS

- D. 246,490 11/1977 DuFresne D6/31
- D. 256,967 9/1980 Hirota D6/31 X

OTHER PUBLICATIONS

Sears Roebuck & Co. S & S 1964, p. 1517, item 4, Chair.
Interiors, May 1976, p. 56, Stool No. 2200FR.

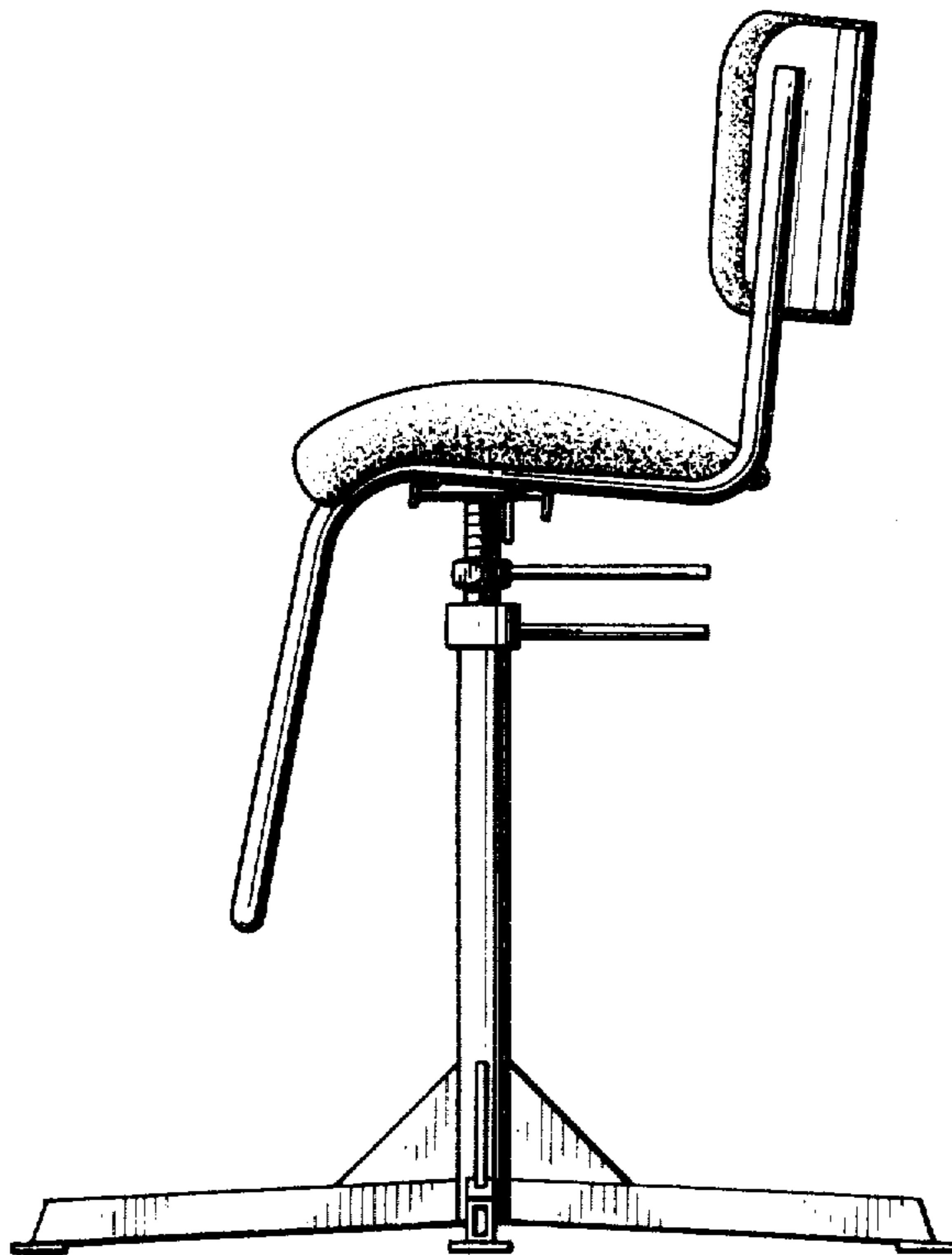
Primary Examiner—Bruce W. Dunkins
Attorney, Agent, or Firm—James A. Hinkle

[57] **CLAIM**

The ornamental design for a chair, as shown.

DESCRIPTION

FIG. 1 is a front elevational view of a chair showing my design;
FIG. 2 is a left side elevation view;
FIG. 3 is a top view;
FIG. 4 is a rear elevation view;
FIG. 5 is a right side elevation view; and,
FIG. 6 is a bottom view.



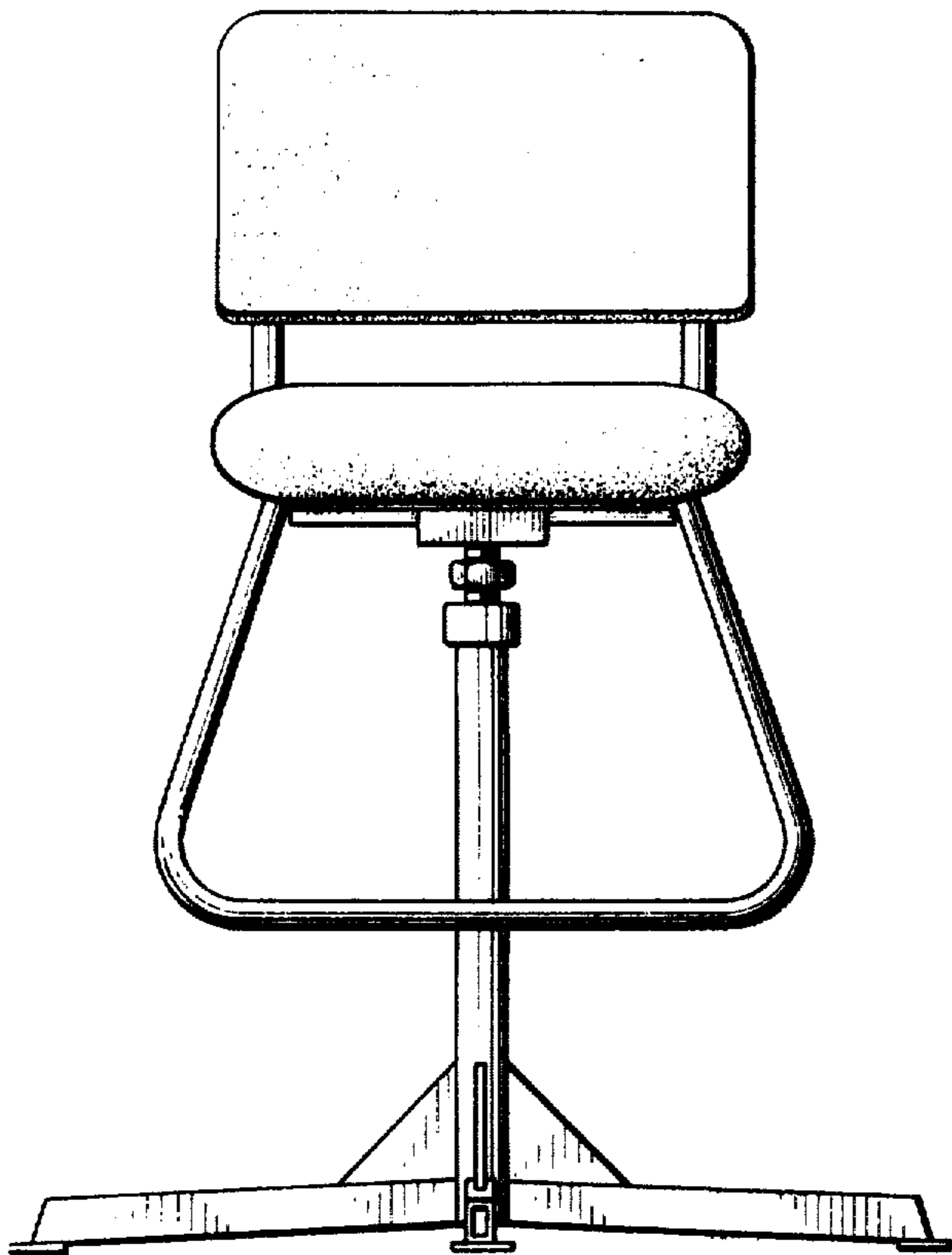


FIG. 1

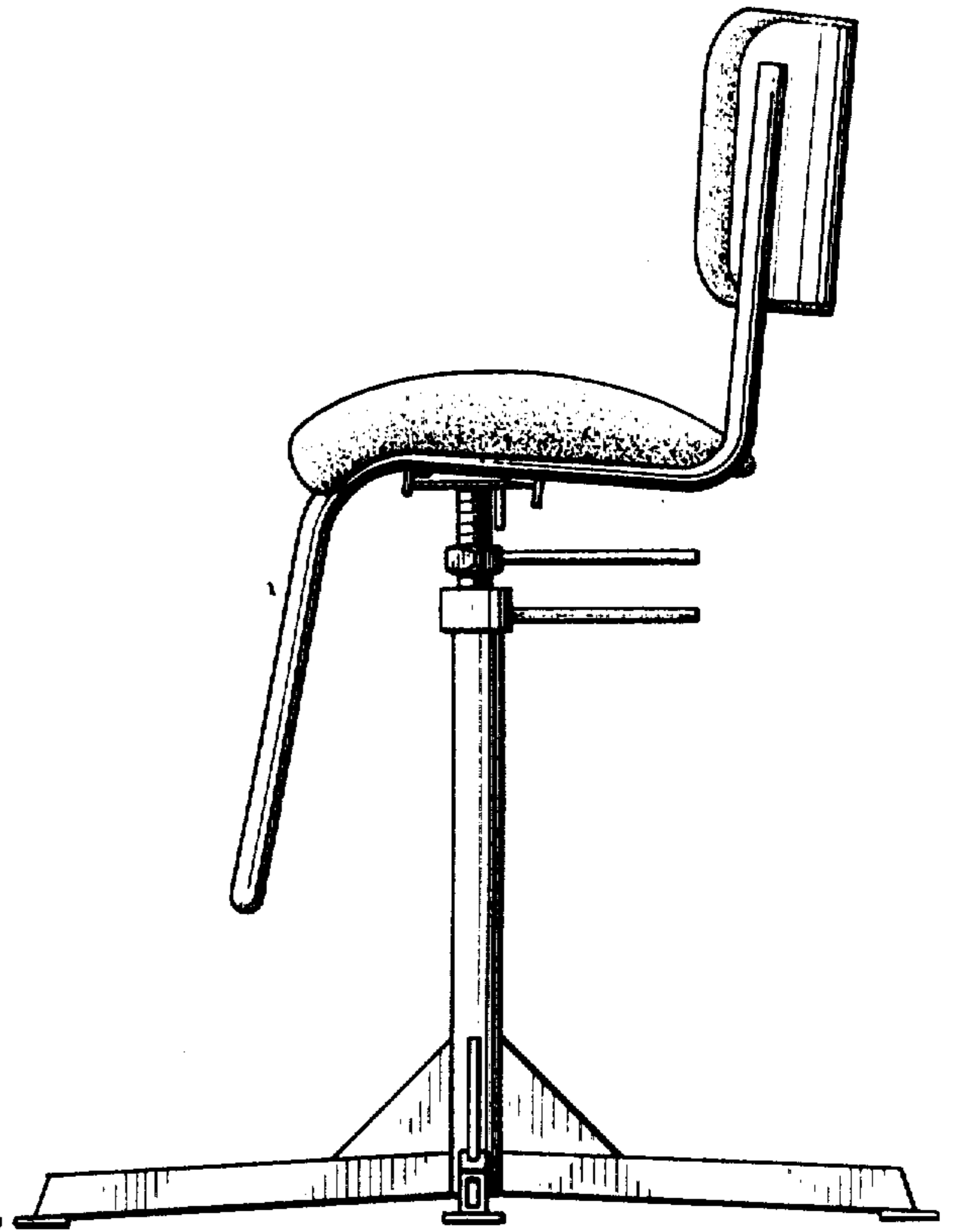
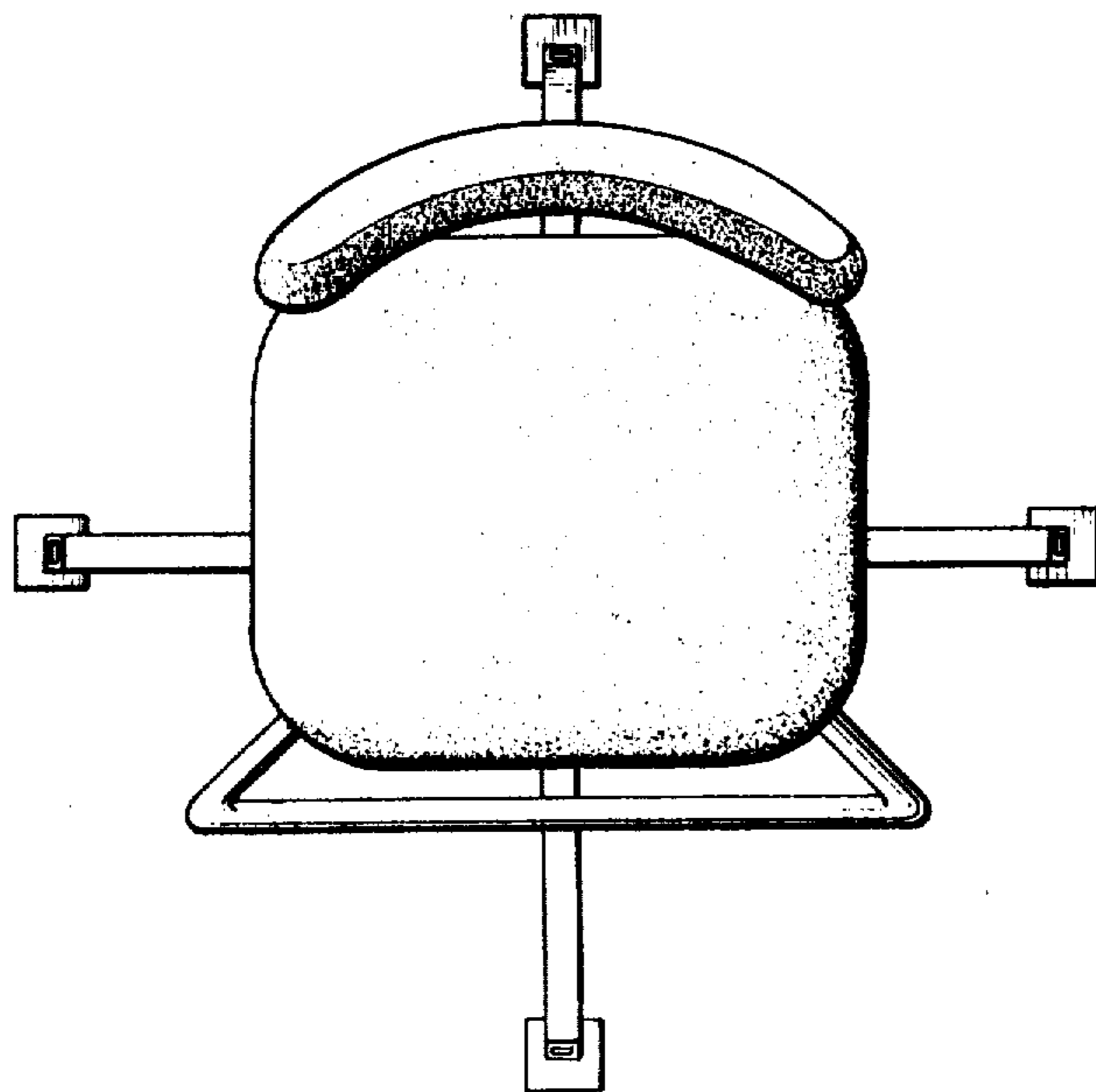


FIG. 2

FIG. 3



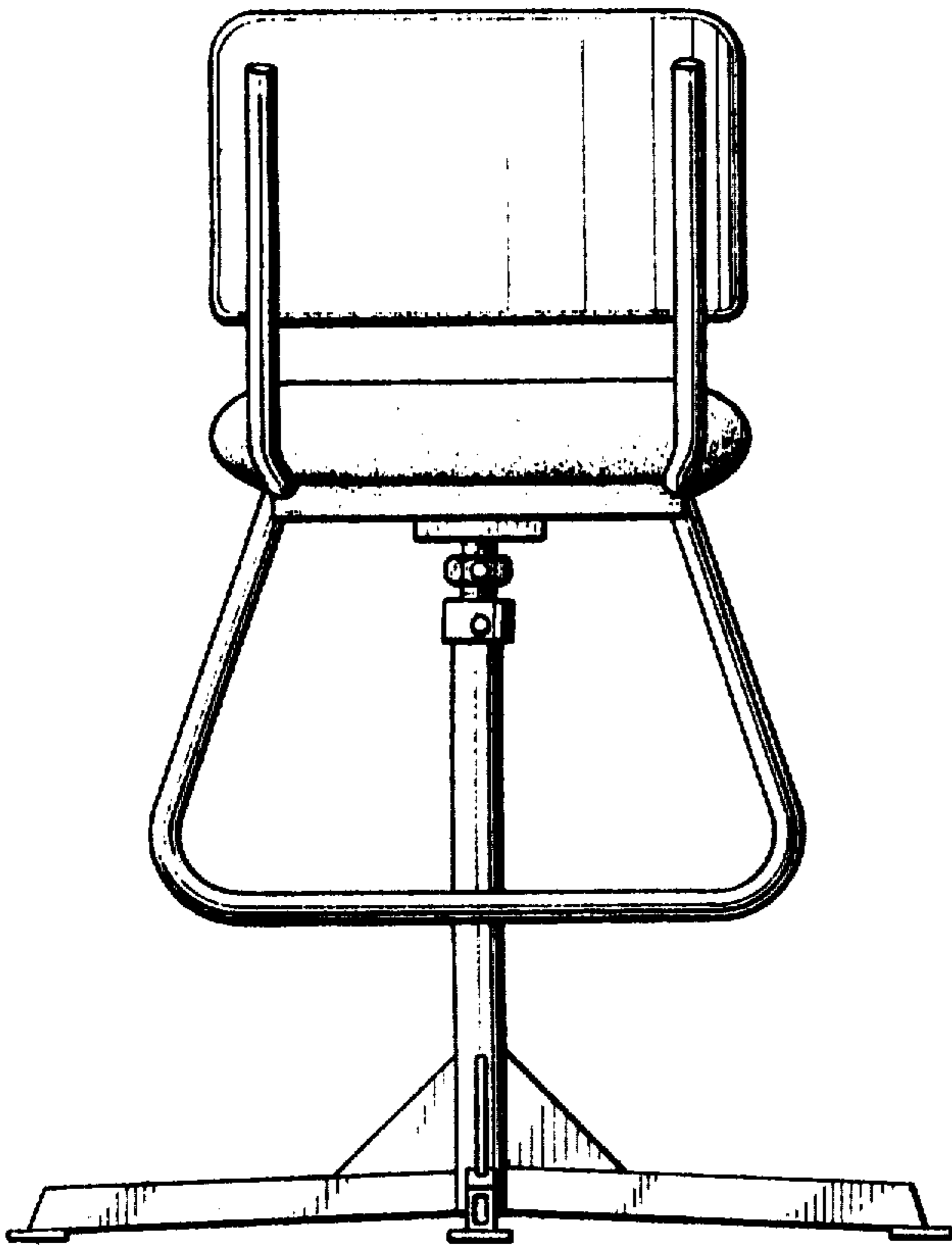


FIG. 4

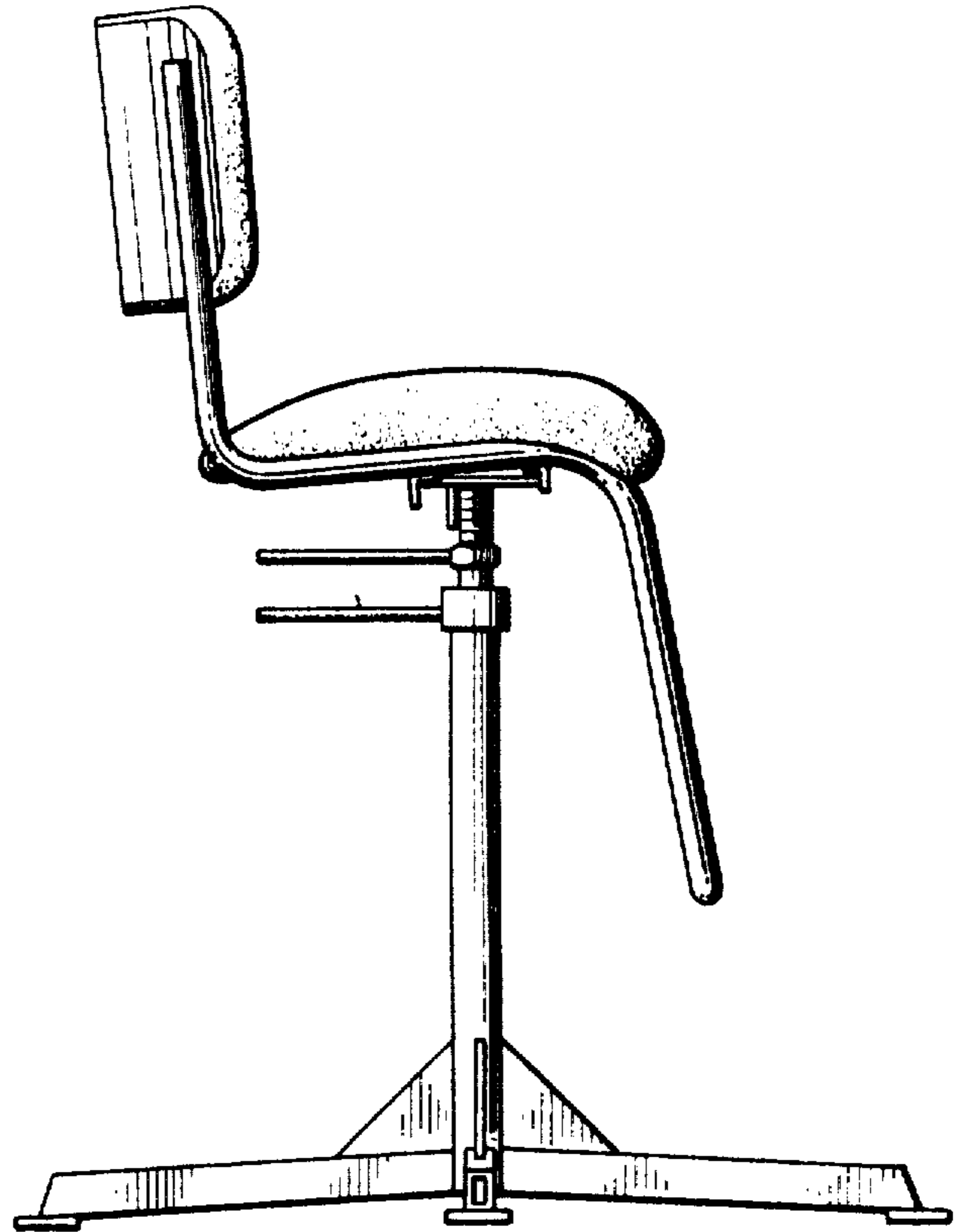


FIG. 5

FIG. 6

