

[54] SURGICAL INSTRUMENT TABLE

[75] Inventor: Samuel B. Kemple, Independence, Mo.

[73] Assignee: LJM Enterprises, Inc., Prairie Village, Kans.

[**] Term: 14 Years

[21] Appl. No.: 285,158

[22] Filed: Jul. 20, 1981

[51] Int. Cl. D6-03

[52] U.S. Cl. D6/27; D6/29; D6/138; D6/178

[58] Field of Search D6/20, 26, 27, 28, 29, D6/30, 31, 138, 175, 177, 178, 179; D7/38; 108/102, 5, 106, 144, 150; 248/188.7

[56] References Cited

U.S. PATENT DOCUMENTS

D. 162,119 2/1951 Berner D6/138 X

D. 246,880 1/1978 Miola D6/27 X
D. 261,837 11/1981 Sonder D6/138
4,077,333 3/1978 Ballas D6/27 X

OTHER PUBLICATIONS

Aloe Scientific Cat. No. 189, ©1957, p. 188, Stand No. A, top left.

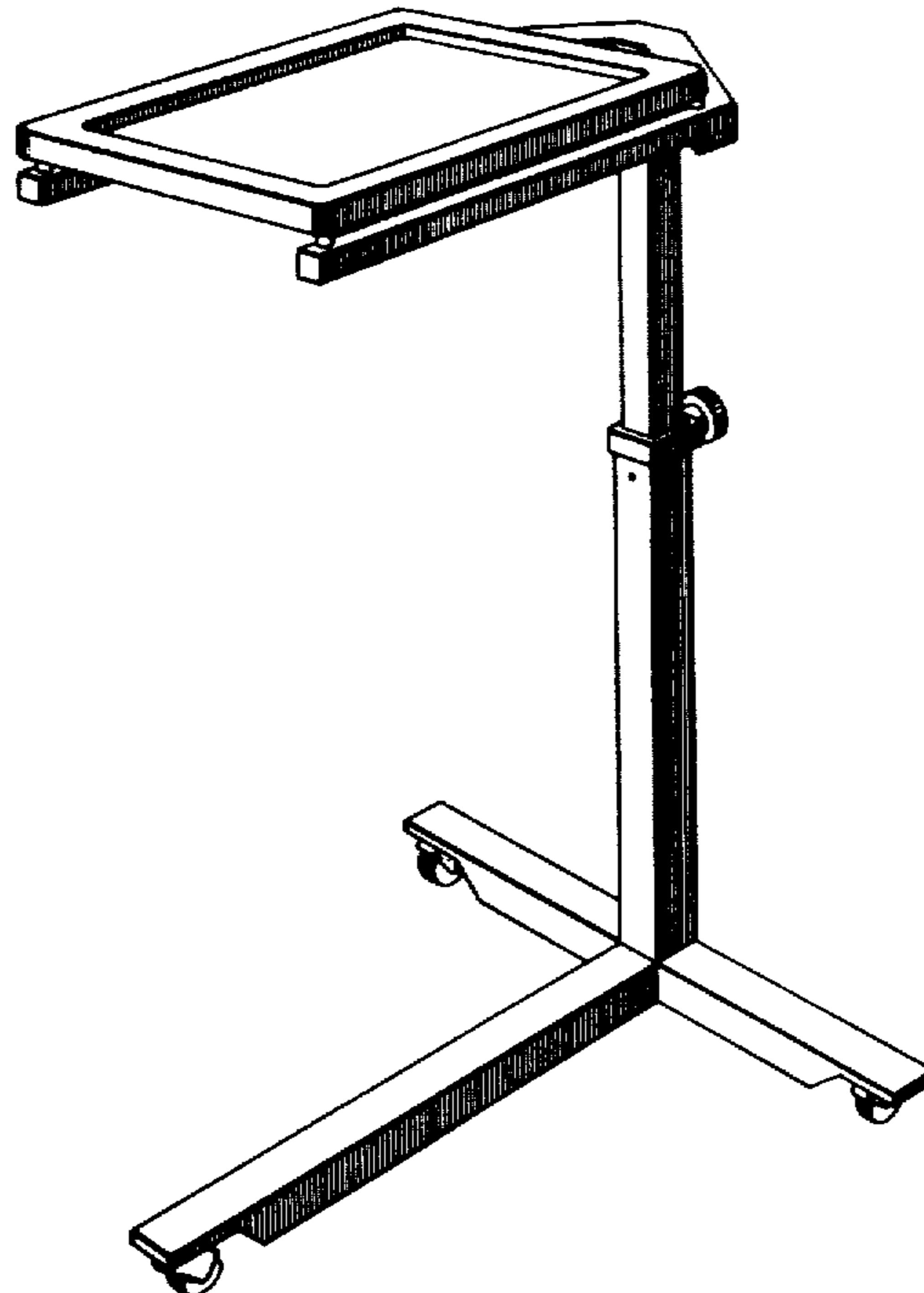
Primary Examiner—Bruce W. Dunkins
Attorney, Agent, or Firm—Litman, Day & McMahon

[57] CLAIM

The ornamental design for a surgical instrument table, as shown and described.

DESCRIPTION

FIG. 1 is a front perspective view of a surgical instrument table showing the new design; FIG. 2 is a plan view of the table of FIG. 1; FIG. 3 is a right side elevational view of same; the left side being a mirror image thereof; FIG. 4 is a front elevational view of same; FIG. 5 is a rear elevational view of the table of FIG. 1.



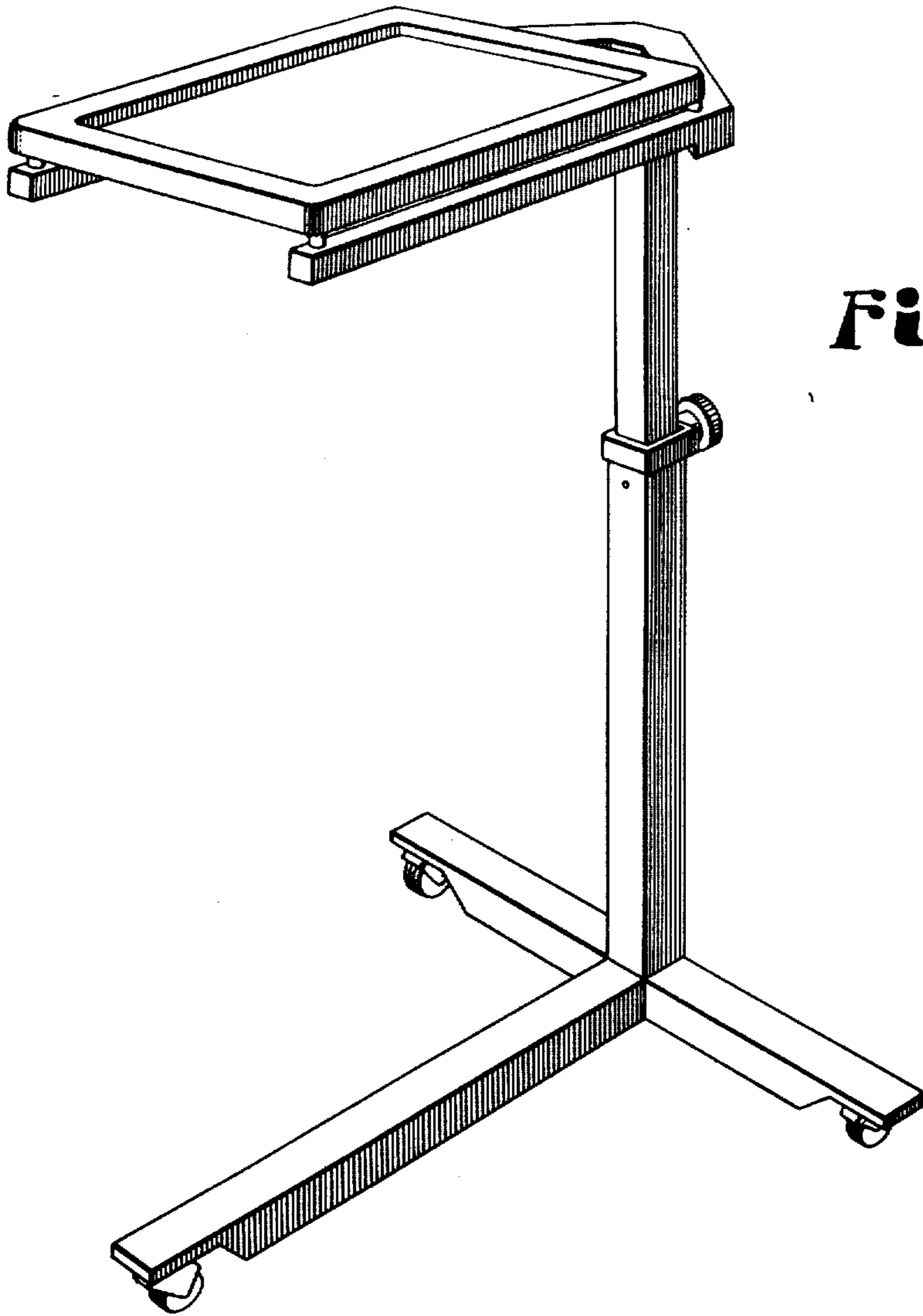


Fig. 1.

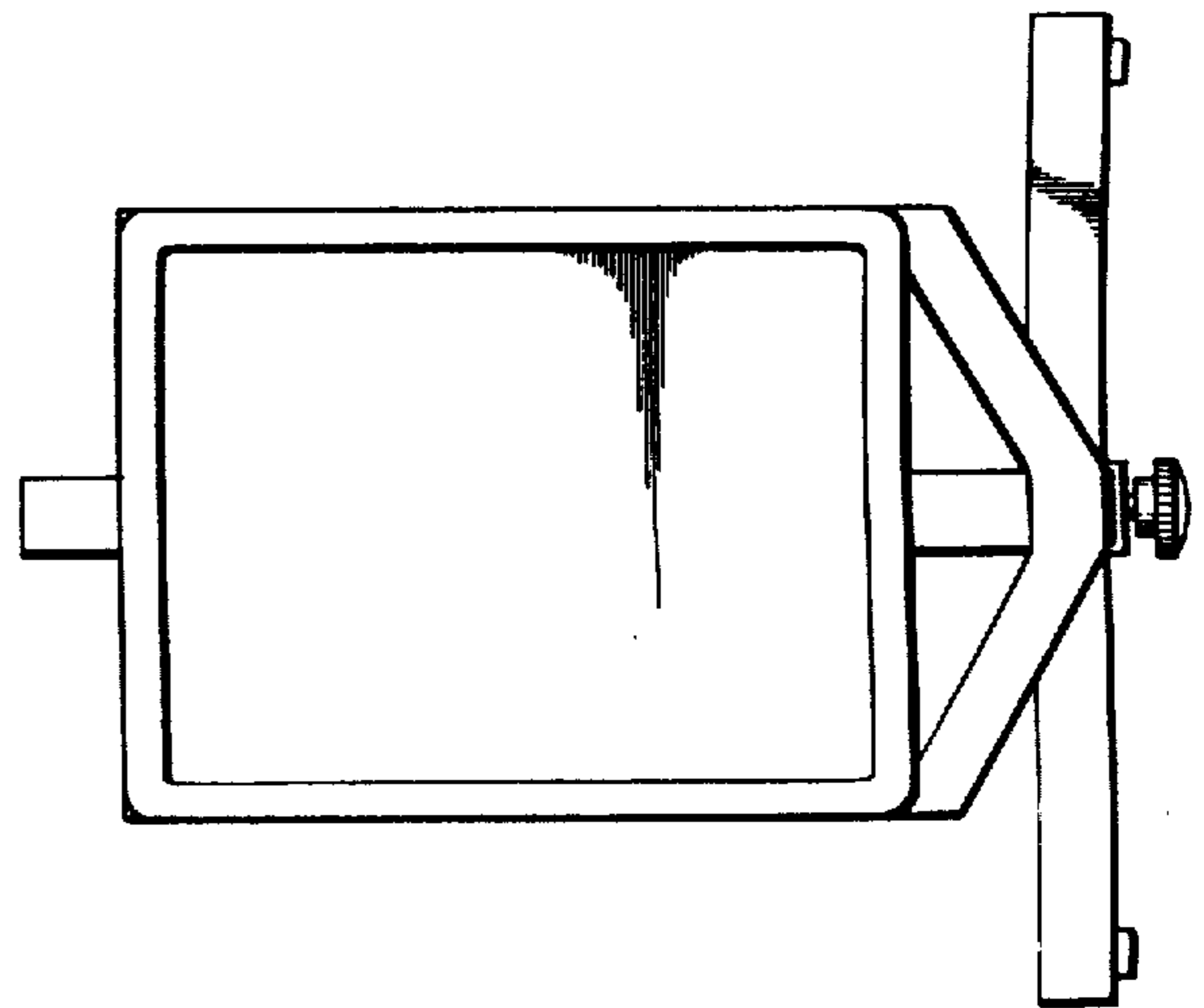


Fig. 2.

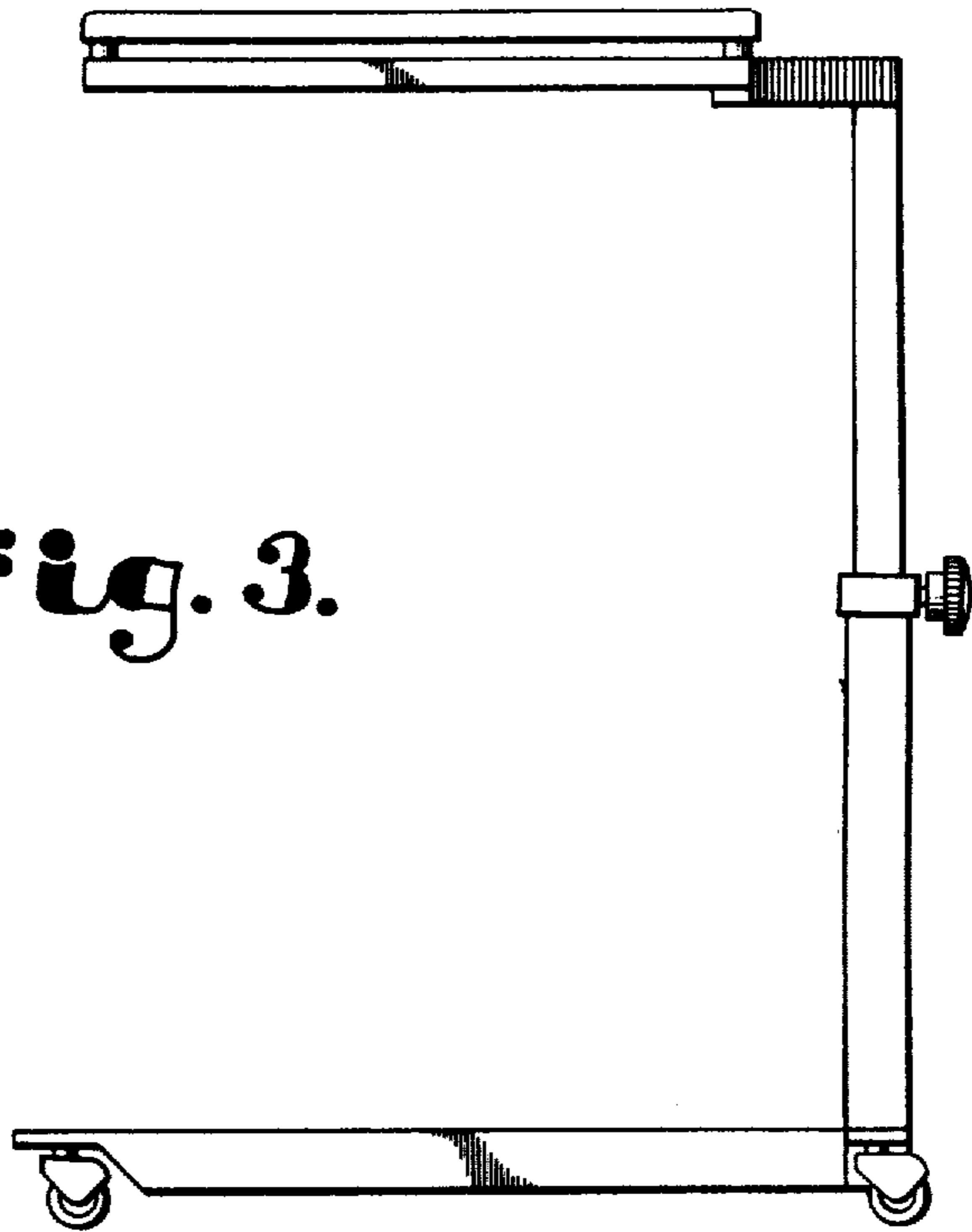


Fig. 3.

Fig. 4.

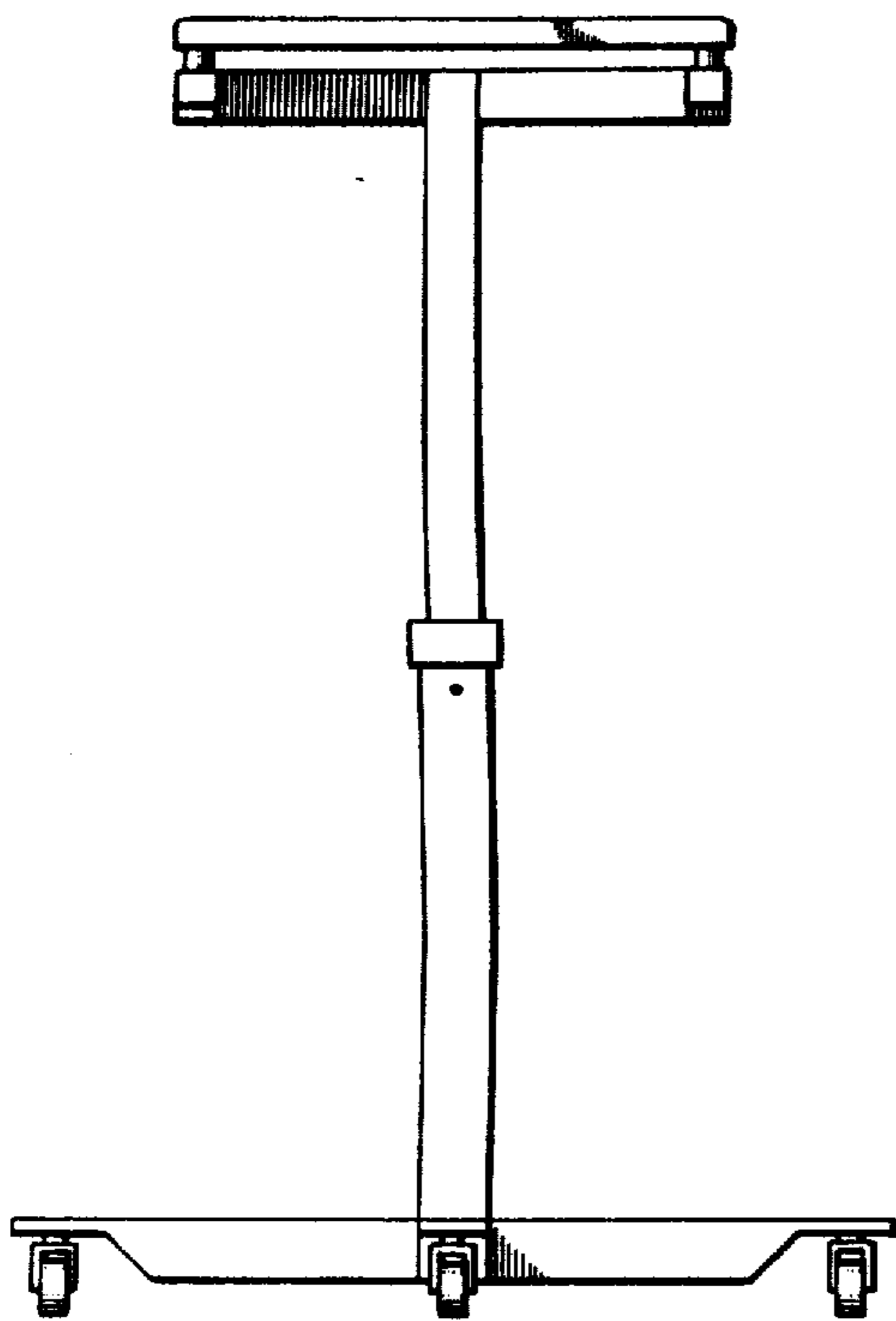


Fig. 5.

