

[54] ADAPTER FOR MAKING CONNECTION INTO A CONTAINER THROUGH A PIERCEABLE TOP

4,128,098 12/1978 Bloom et al. .... 128/272.3  
4,173,222 11/1979 Muetterties ..... 128/214 C  
4,200,095 4/1980 Reti ..... 128/214 C

[76] Inventor: Lee C. Armstrong, 2486 Baxter Rd. S.W., Atlanta, GA

Primary Examiner—Bernard Ansher  
Attorney, Agent, or Firm—Lane, Aitken & Kananen

[\*\*] Term: 14 Years

[57] CLAIM

[21] Appl. No.: 164,927

The ornamental design for a wound drainage system as shown and described.

[22] Filed: Jul. 1, 1980

DESCRIPTION

[51] Int. Cl. .... D24—02

FIG. 1 is a front view in elevation of an adapter for making connection into a container through a pierceable top;

[52] U.S. Cl. .... D24/52; D9/437

FIG. 2 is a side view in elevation of the adapter shown in FIG. 1;

[58] Field of Search ..... D9/437; 128/276, 214 C; D24/52

FIG. 3 is a top plan view of the adapter shown in FIG. 1; and

[56] References Cited

U.S. PATENT DOCUMENTS

D. 257,886 1/1981 Kersten ..... D24/52  
D. 261,619 11/1981 Borkan ..... D9/437

FIG. 4 is a bottom plan view of the adapter shown in FIG. 1.

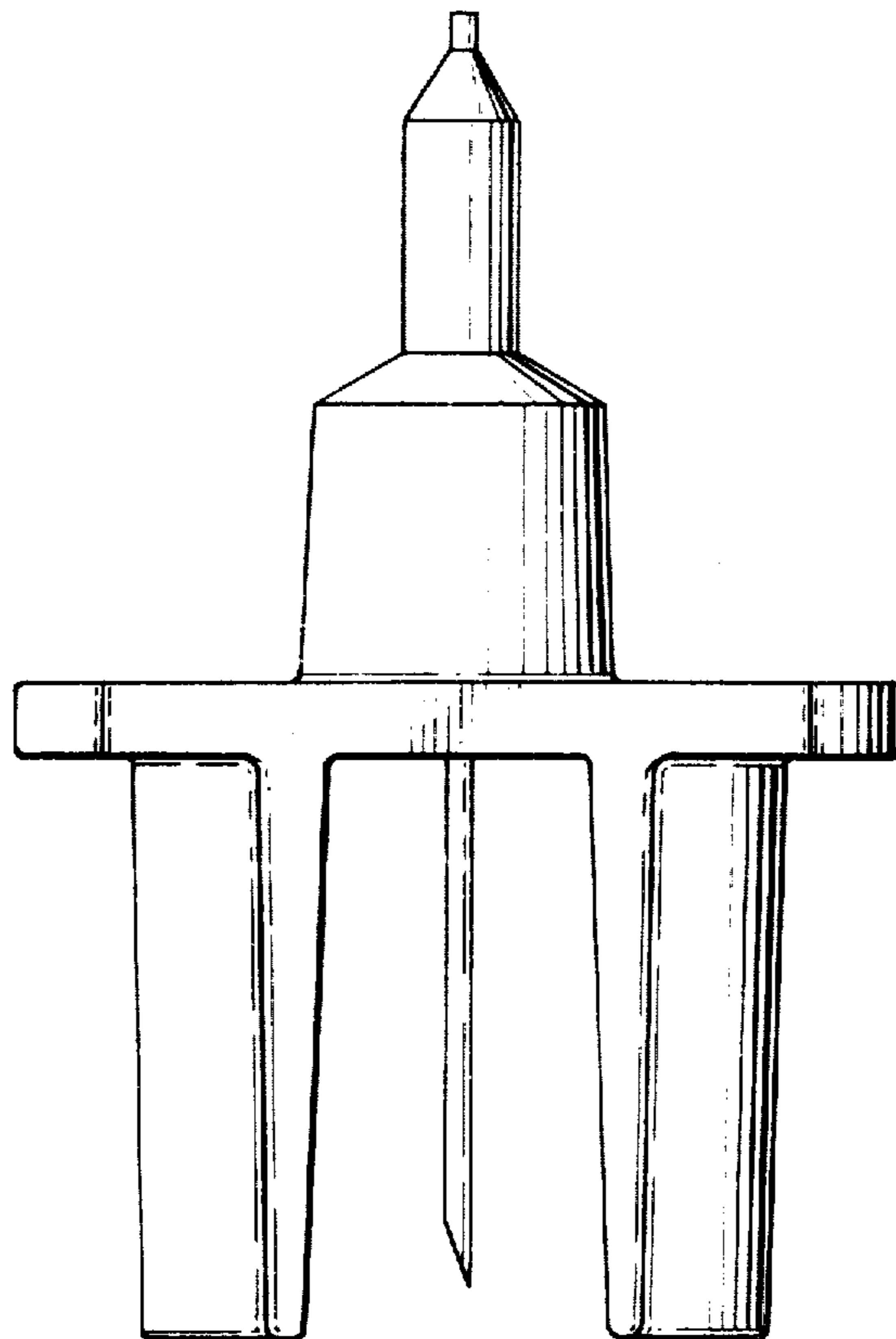


FIG. 1.

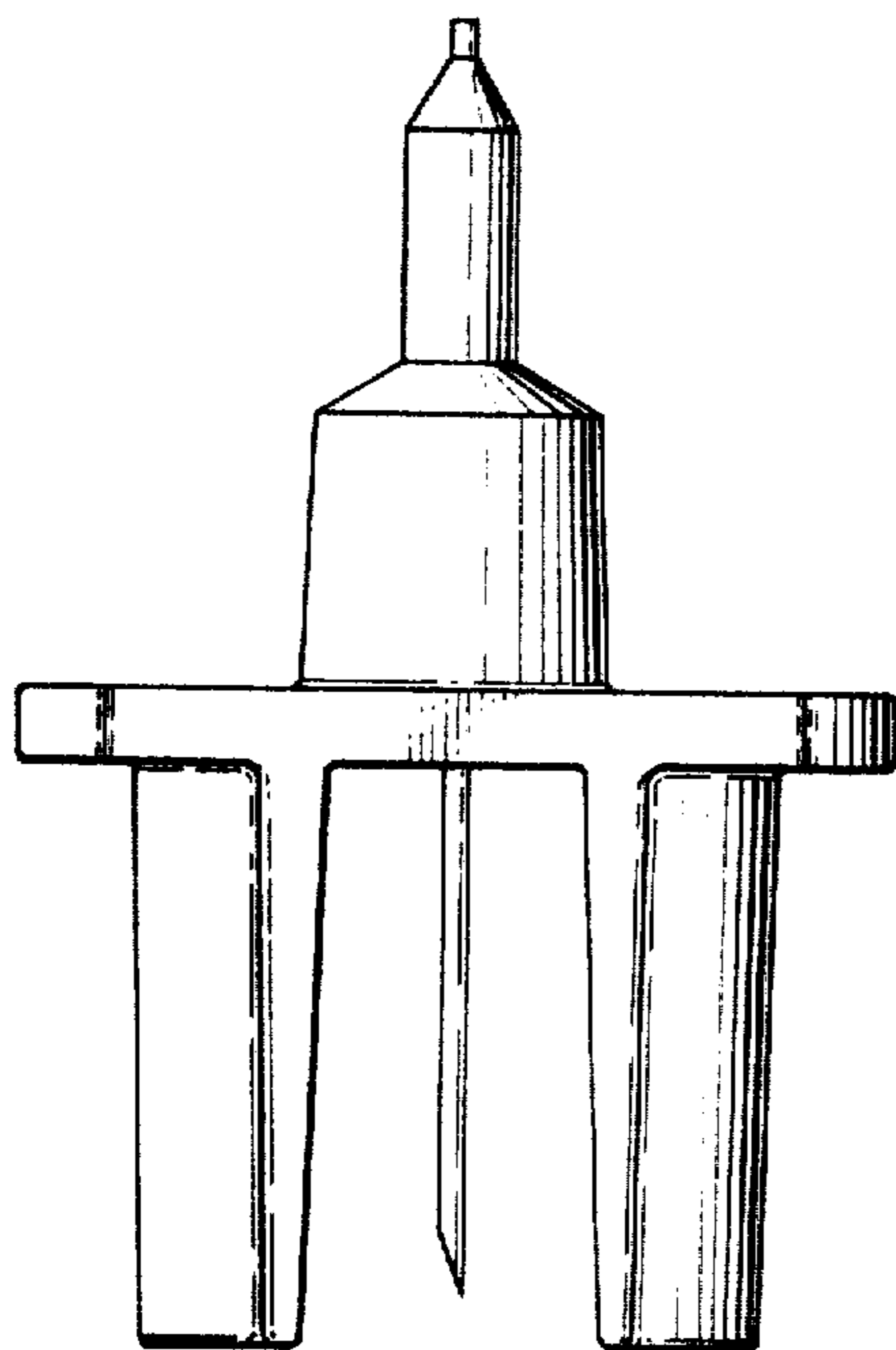


FIG. 2.

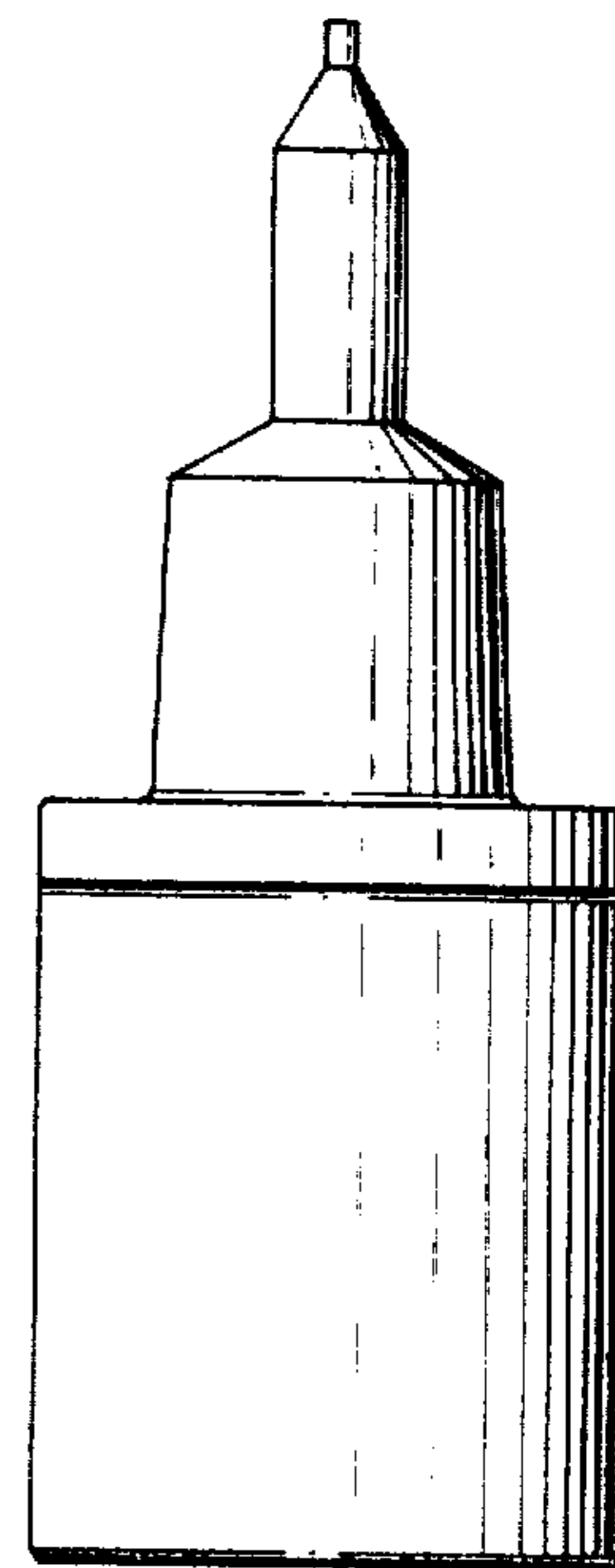


FIG. 3.

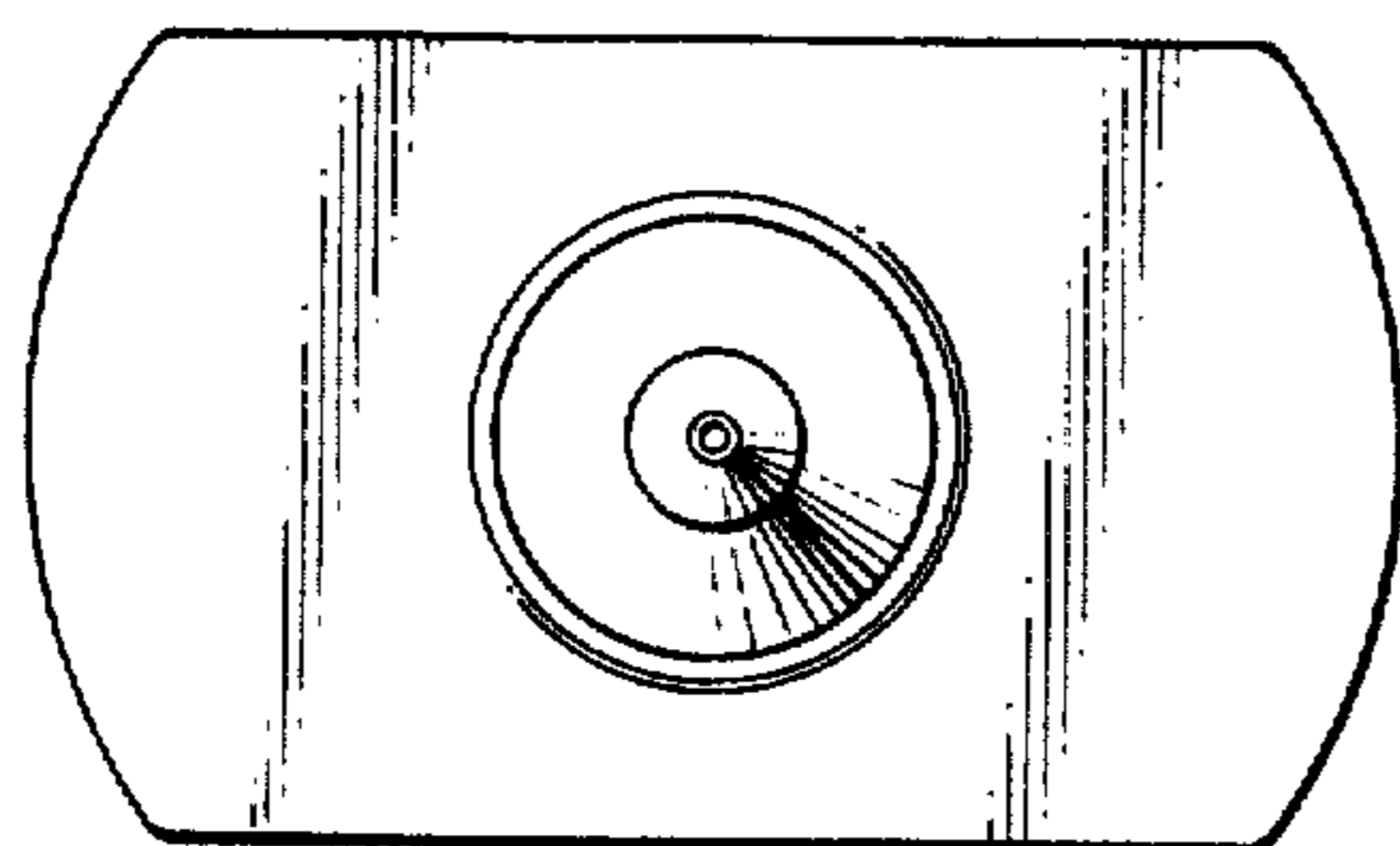


FIG. 4.

