

[54] HAEMODIALYZER OR THE LIKE

[75] Inventors: Robert Benattar, Lyons; Michel Cronenberger, Chassagny, both of France

[73] Assignee: Hospal-Sodip SA, Meyzieu, France

[**] Term: 14 Years

[21] Appl. No.: 225,859

[22] Filed: Jan. 16, 1981

[30] Foreign Application Priority Data

Jul. 21, 1980 [XB] Benelux 70.521

[51] Int. Cl. D24-01

[52] U.S. Cl. D24/21; D24/17

[58] Field of Search 210/321.2, 646, 644; D24/21, 17, 99

[56] References Cited

U.S. PATENT DOCUMENTS

D. 245,811	9/1977	Gics	D24/21
D. 257,689	12/1980	Riede	D24/21
D. 258,837	4/1981	Spranger	D24/21
D. 260,174	8/1981	Geel	D24/21
4,056,467	11/1977	Christen et al.	210/646 X
4,097,375	6/1978	Molitor	210/644
4,222,869	9/1980	Koto	210/646

Primary Examiner—Bernard Ansher

Attorney, Agent, or Firm—Gerald D. Sharkin; Robert S. Honor; Walter F. Jewell

[57] CLAIM

The ornamental design for a haemodialyzer or the like, as shown and described.

DESCRIPTION

FIG. 1 is a top plan view of a haemodialyzer, showing our new design;

FIG. 2 is a side elevation thereof;

FIG. 3 is a right end elevation thereof; and

FIG. 4 is a bottom isometric view thereof.

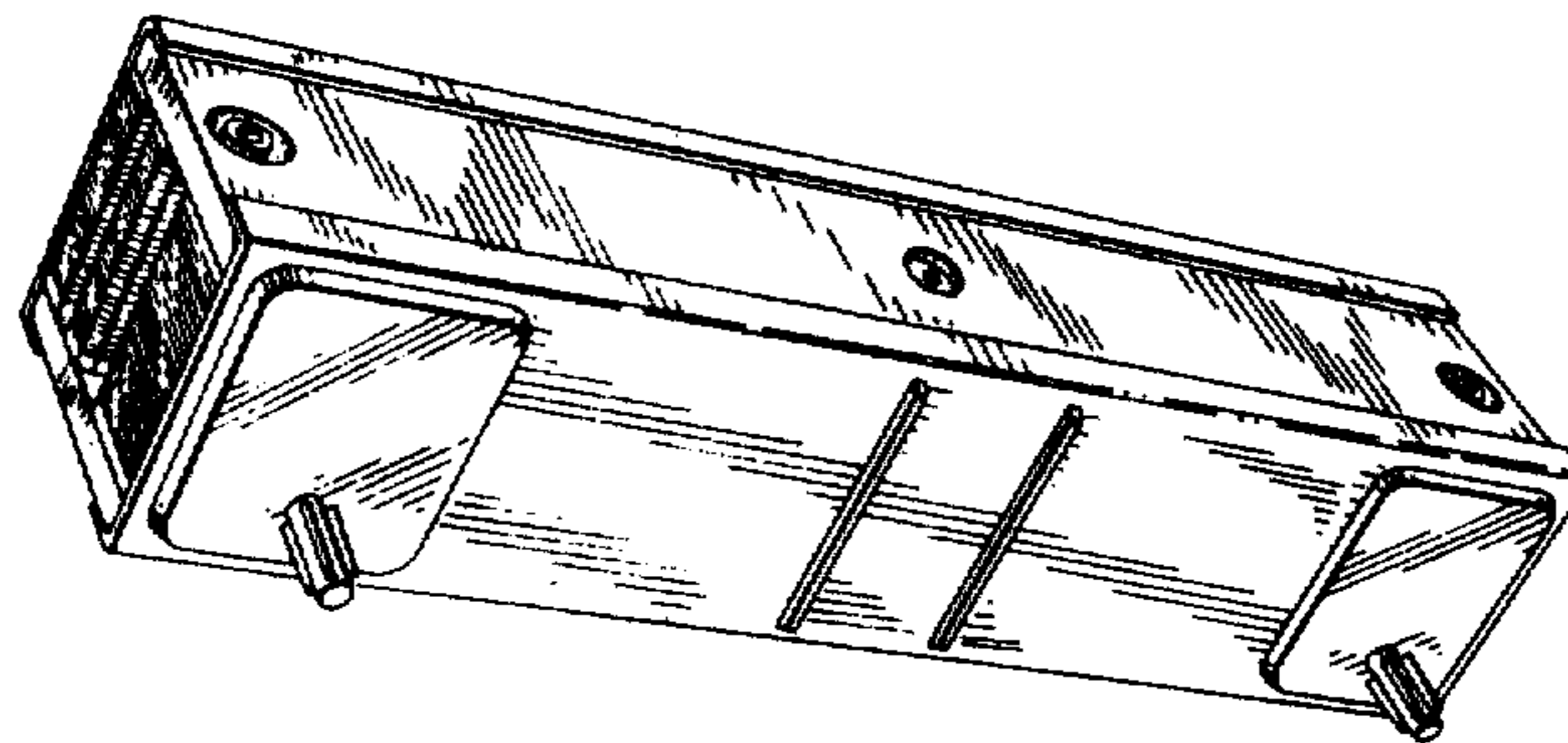
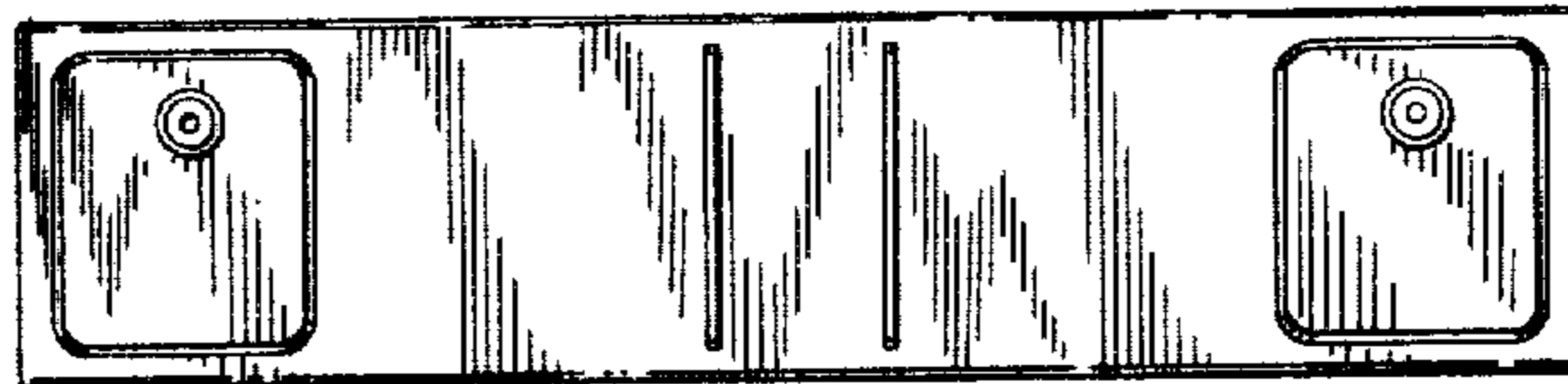


Fig. 1.

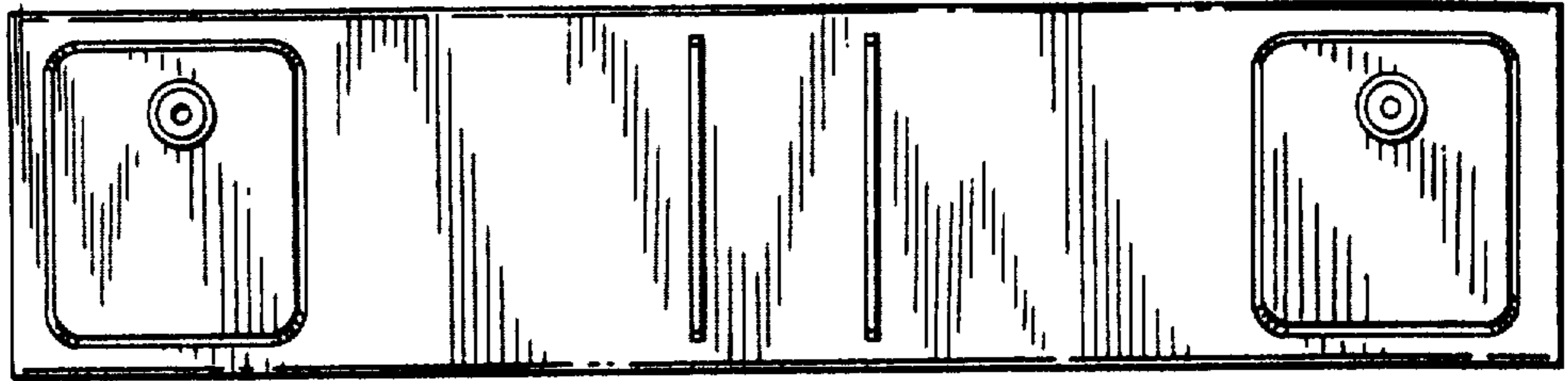


Fig. 2.

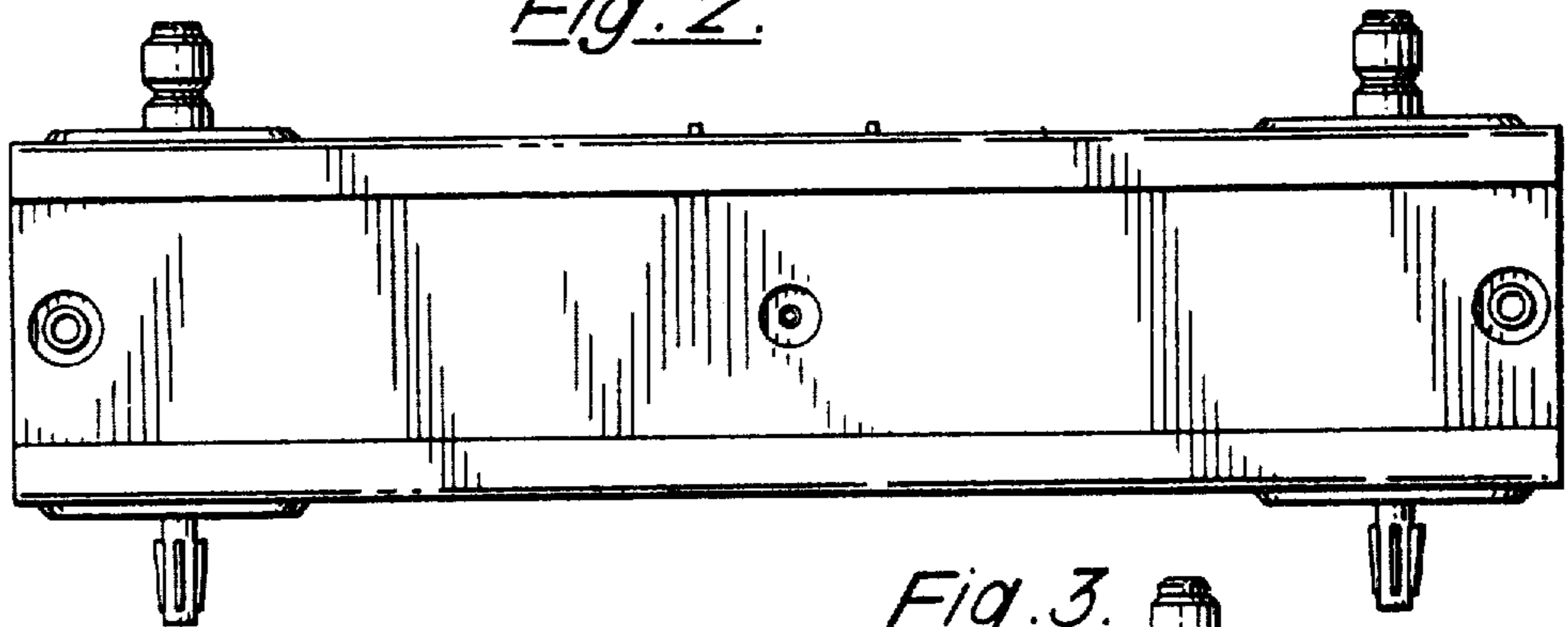


Fig. 3.

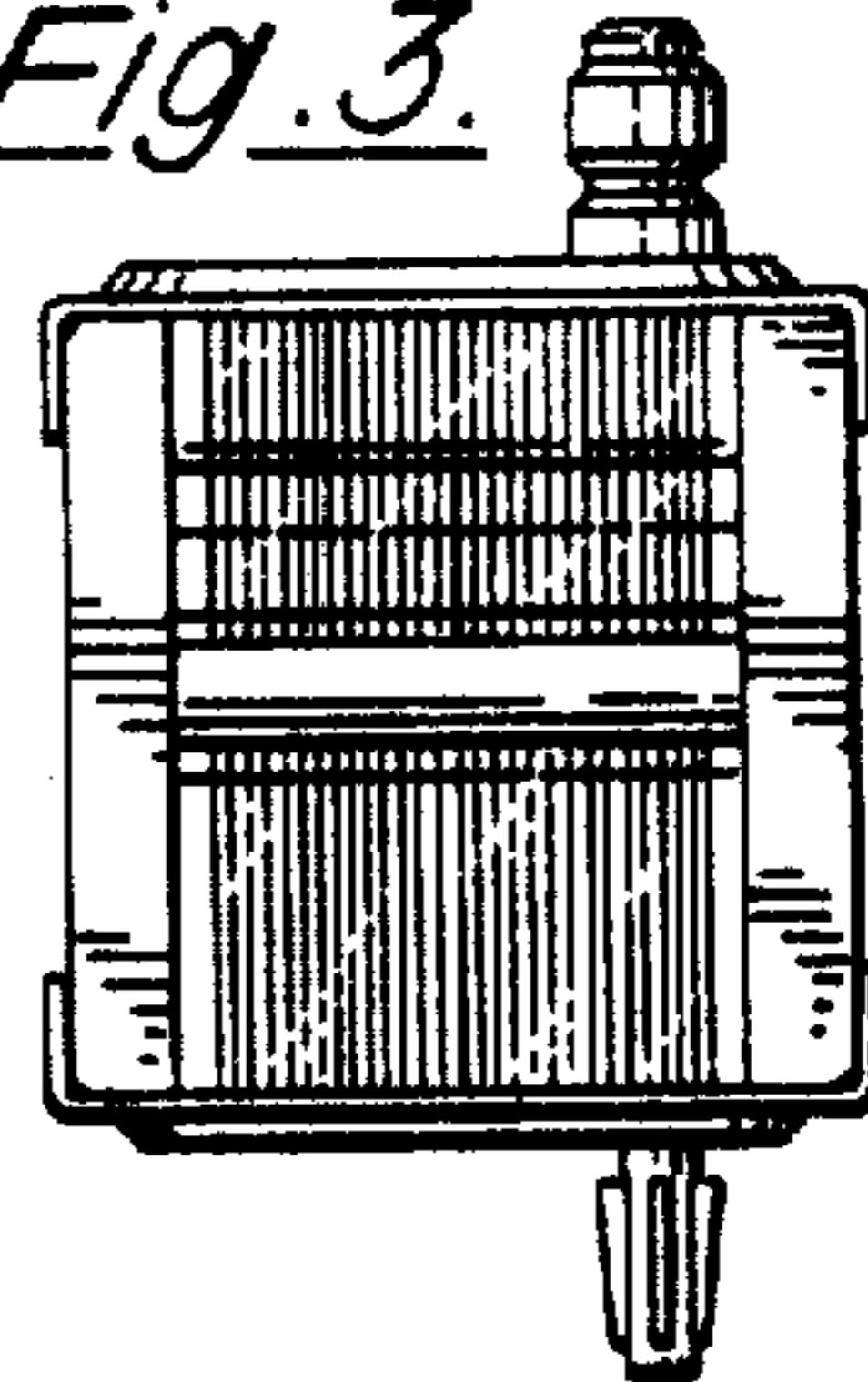


Fig. 4.

