

[54] LENS METER

[75] Inventors: Takeshi Machida, Sakado; Hiroshi Koyama, Otone, both of Japan

[73] Assignee: Asahi Kogaku Kogyo Kabushiki Kaisha, Tokyo, Japan

[**] Term: 14 Years

[21] Appl. No.: 169,247

[22] Filed: Jul. 16, 1980

[30] Foreign Application Priority Data
Apr. 30, 1980 [JP] Japan 55-17214

[51] Int. Cl. D24-01

[52] U.S. Cl. D24/1.1; D24/17

[58] Field of Search 356/124, 125, 127, 129; D10/46; D24/1.1, 17

3,861,808 1/1975 Halsey 356/124 X
4,203,666 5/1980 Ii et al. 356/124
4,213,701 7/1980 Lanzilloti 356/124

OTHER PUBLICATIONS

The Optician, Jan. 5, 1979, p. 40, Focimeter.
Primary Examiner—Bernard Ansher
Attorney, Agent, or Firm—Sughrue, Mion, Zinn, Macpeak and Seas

CLAIM

[57] The ornamental design for a lens meter, as shown and described.

DESCRIPTION

FIG. 1 is a front elevational view of a lens meter showing our new design;
FIG. 2 is a right side elevational view thereof;
FIG. 3 is a rear elevational view thereof;
FIG. 4 is a left side elevational view thereof;
FIG. 5 is a top plan view thereof;
FIG. 6 is a bottom plan view thereof;
FIG. 7 is a top, front perspective view thereof; and
FIG. 8 is a bottom rear perspective view thereof.

[56] References Cited

U.S. PATENT DOCUMENTS

D. 235,274 6/1975 Armbruster D24/1.1
3,810,698 5/1974 Alaska 356/124

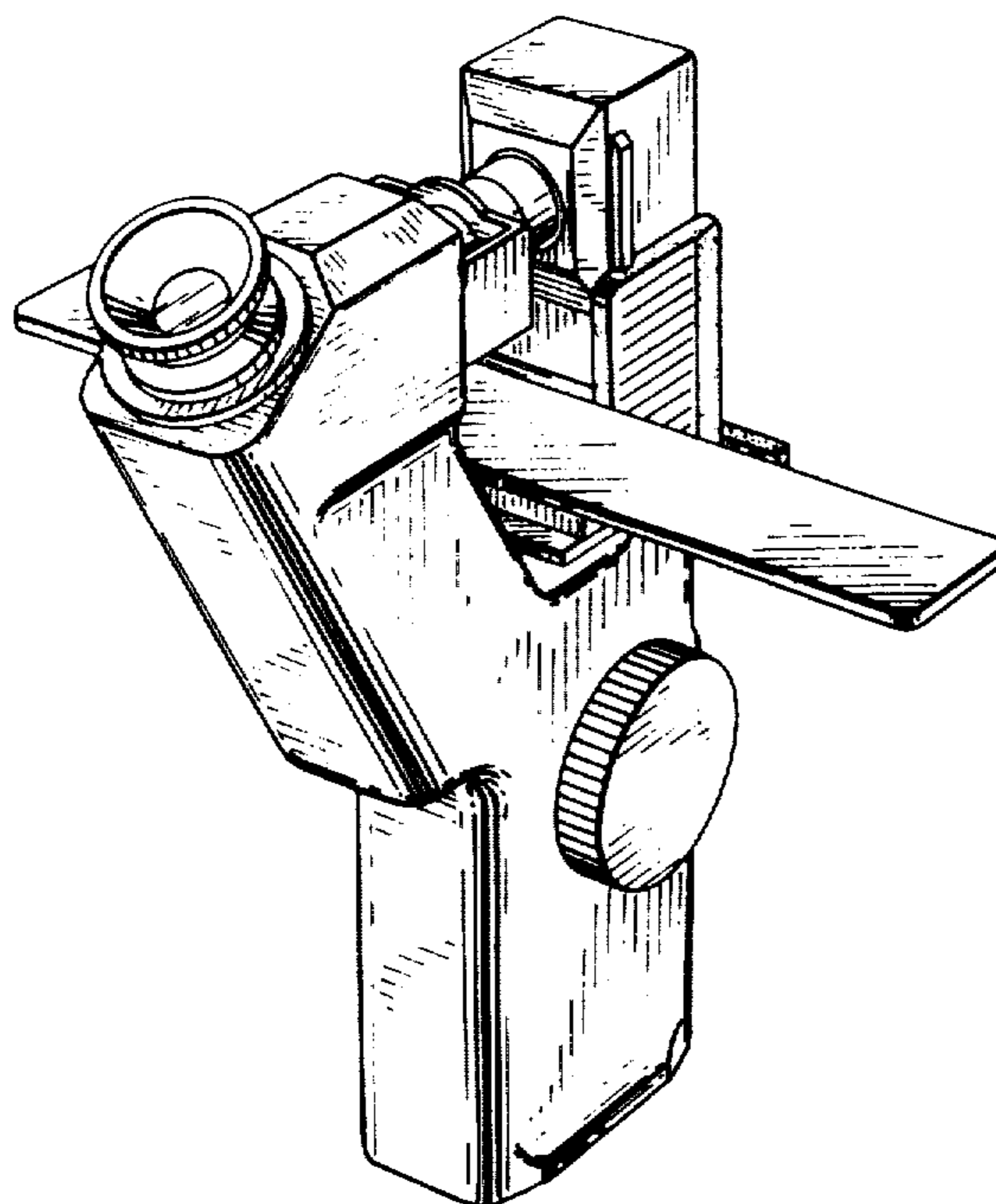


FIG. 1

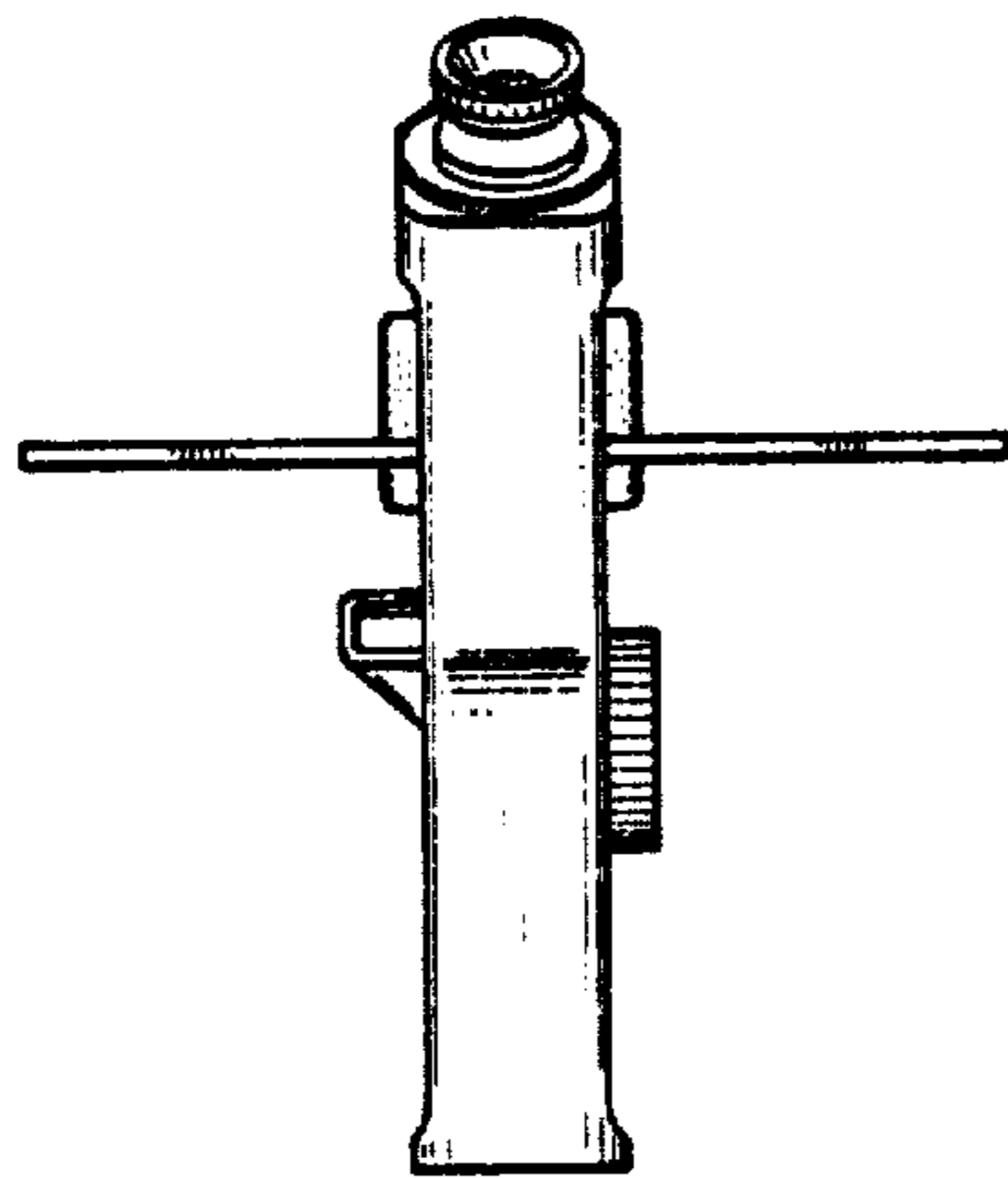


FIG. 2

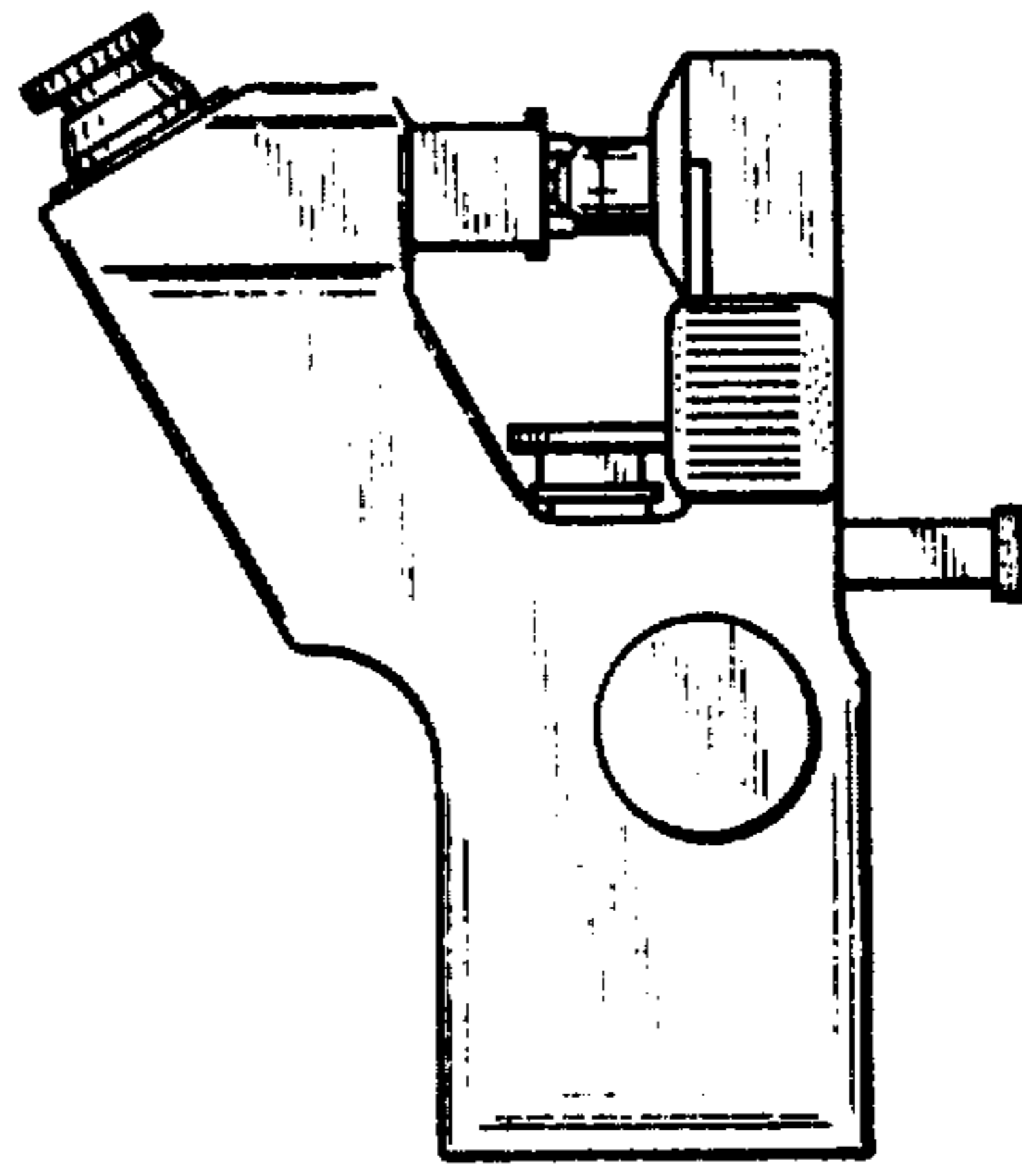


FIG. 3

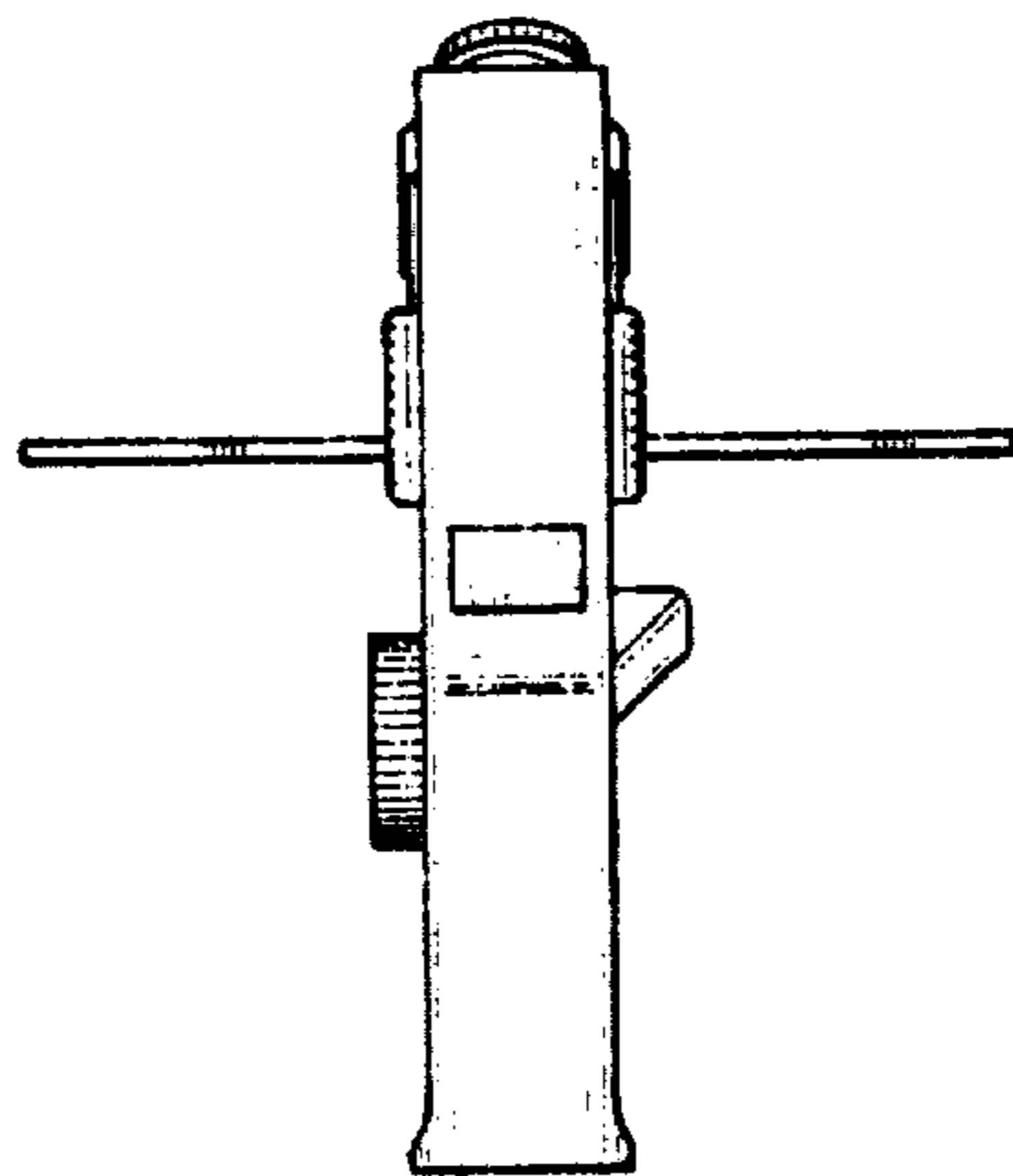


FIG. 4

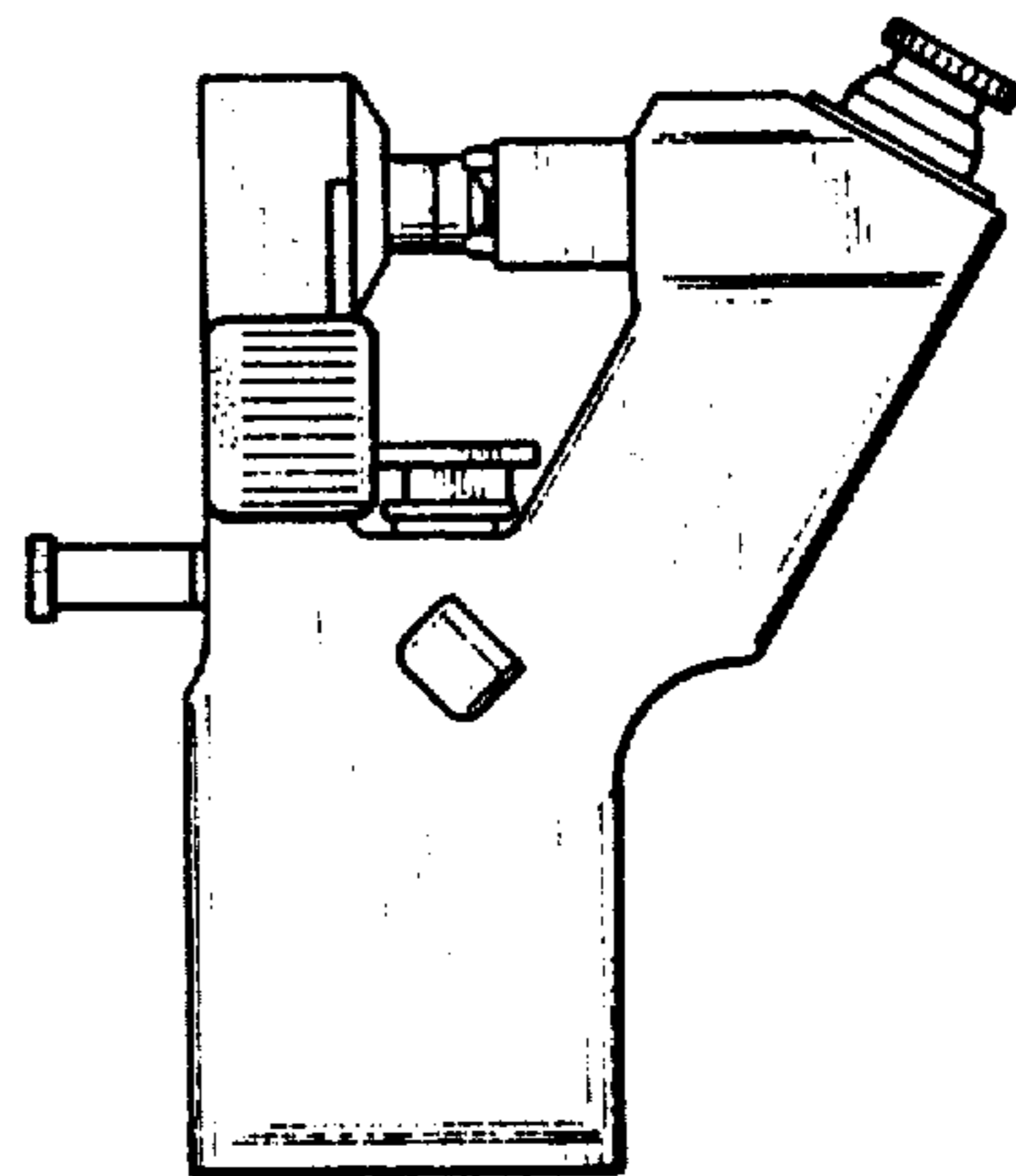


FIG. 5

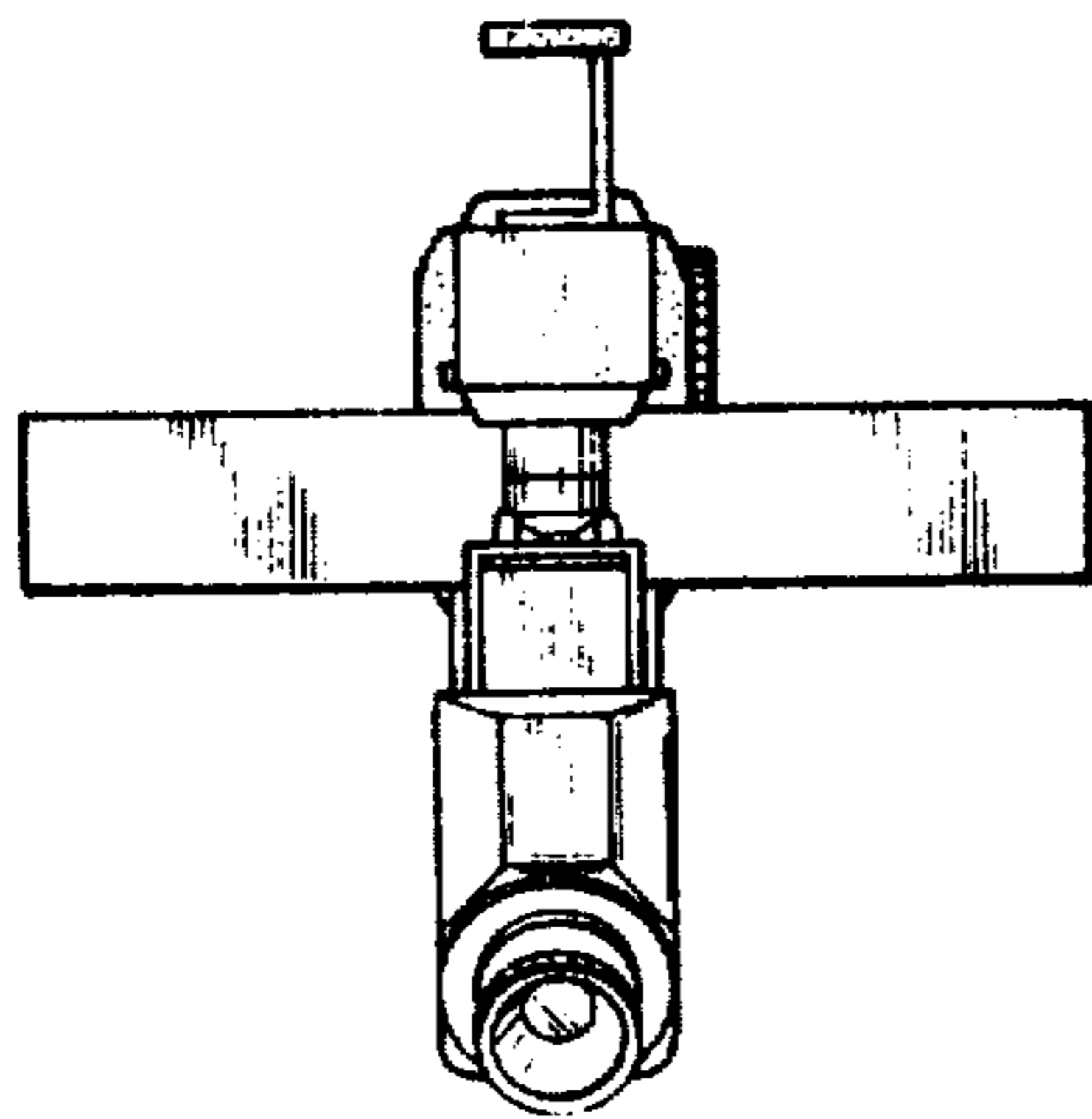
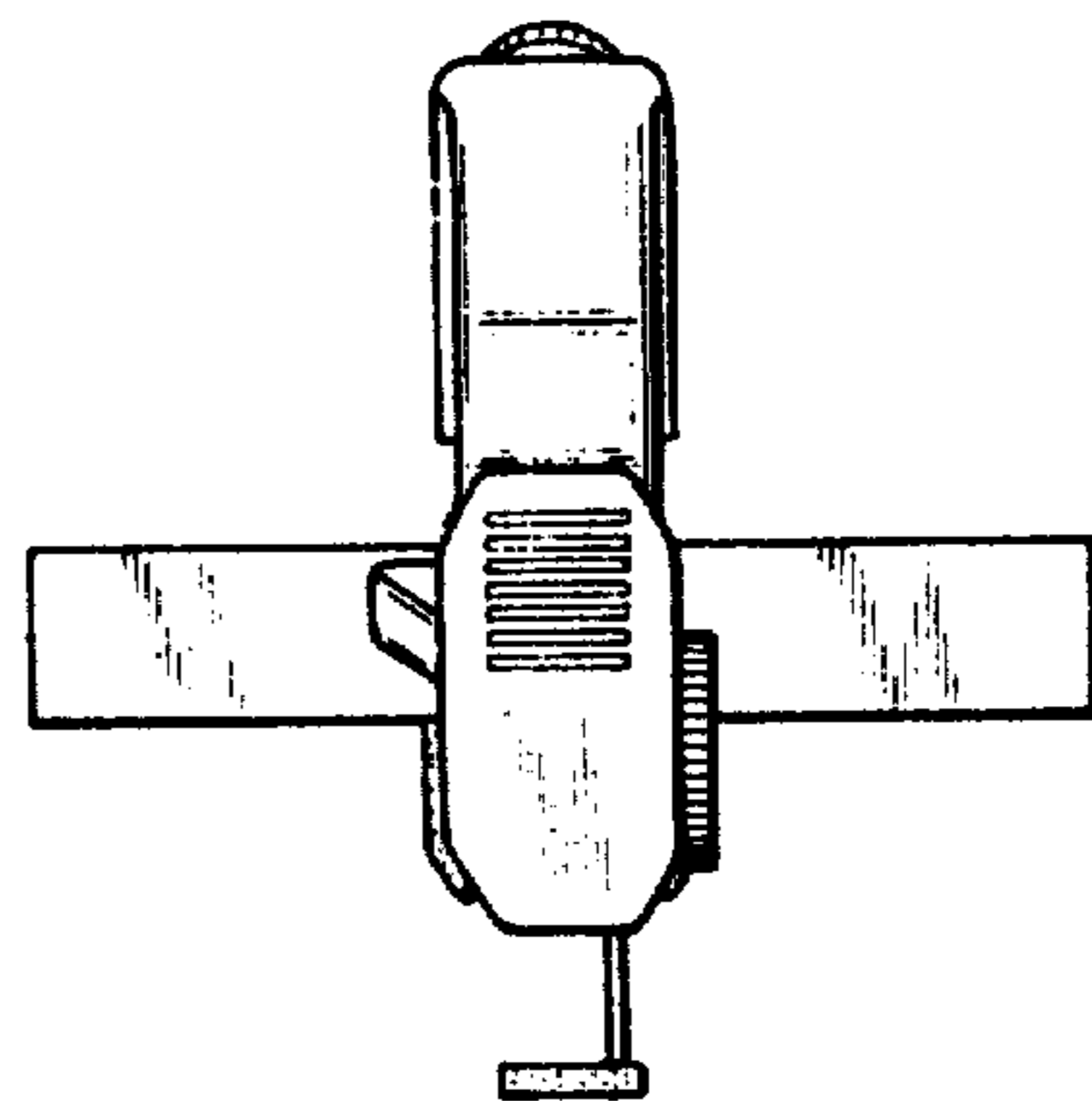


FIG. 6



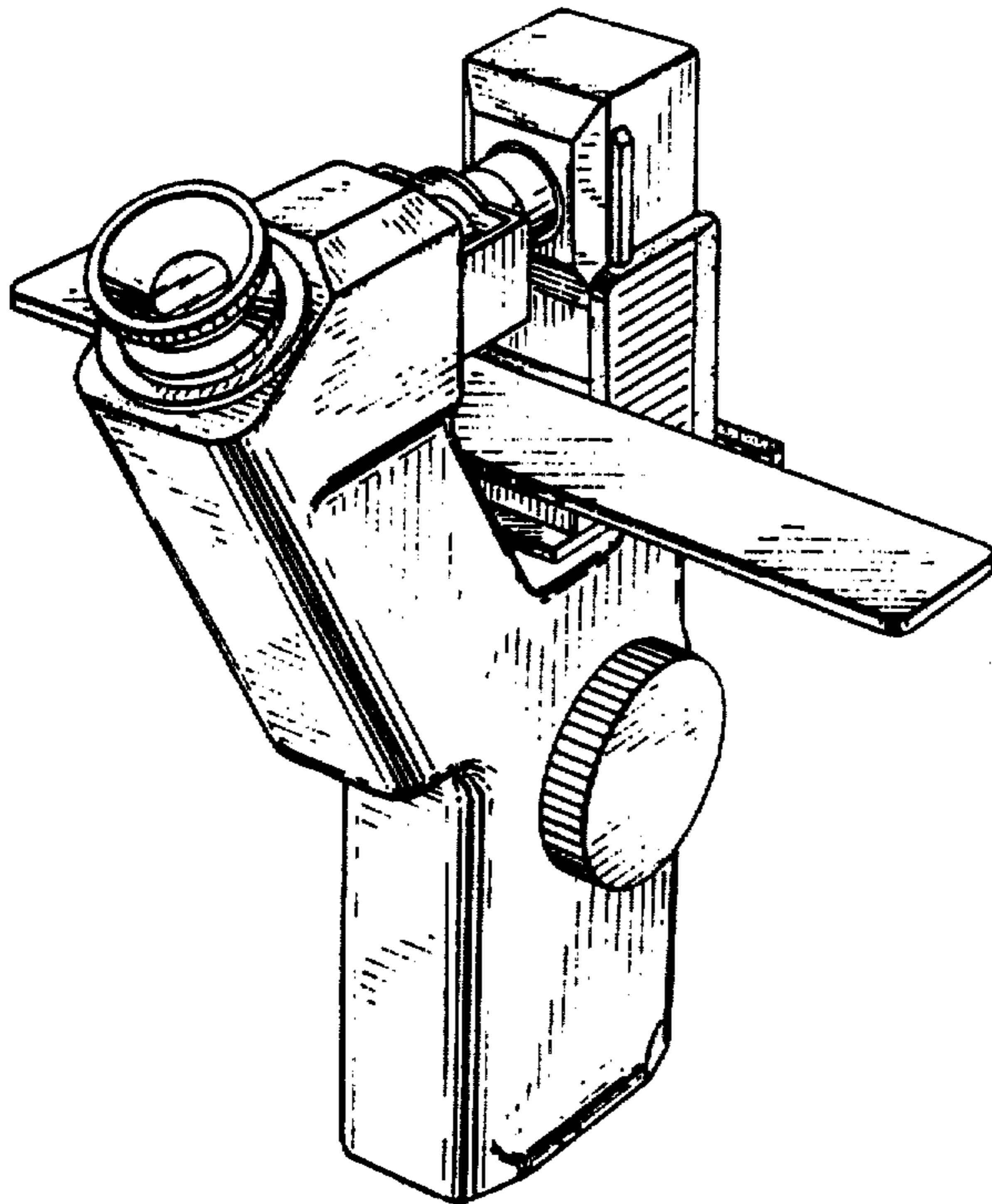


FIG. 7

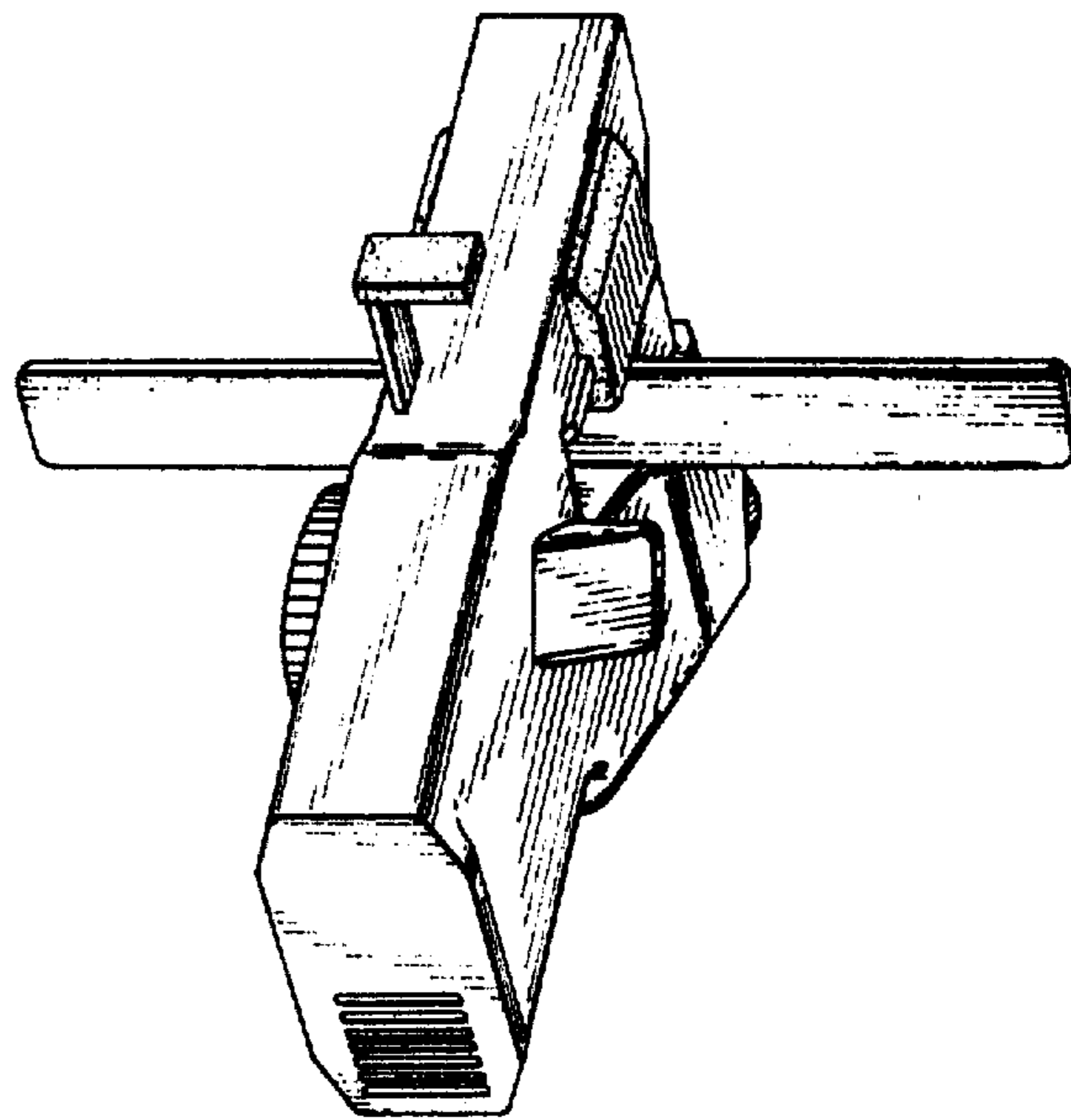


FIG. 8