

[54] BATH TUB

[76] Inventor: Jean-Michel Brossier, 3081 Motor Ave., Los Angeles, Calif. 90064

[**] Term: 14 Years

[21] Appl. No.: 192,092

[22] Filed: Sep. 29, 1980

[51] Int. Cl. D23-02

[52] U.S. Cl. D23/55; D24/38

[58] Field of Search D23/48-57; D24/38; 4/538, 546, 548, 552, 559, 560, 564-569, 571, 573-579, 584, 589, 590, 592-597, 605, 611-614, 628, 654; 128/66, 365, 369, 370

[56] References Cited

U.S. PATENT DOCUMENTS

- D. 135,283 3/1943 Hunting D23/55
- D. 237,616 11/1975 Gordon D23/55
- D. 244,711 6/1977 Armbruster D24/38
- D. 246,728 12/1977 Wormser D23/55 X

- D. 254,206 2/1980 Ogden D24/38
- D. 255,932 7/1980 D'Innocente et al. D23/55 X
- 746,389 12/1903 Schmidt 4/574 X
- 1,200,036 10/1916 Sharp, Jr. D23/55 X
- 3,477,069 11/1969 Stiger 4/566
- 3,559,634 2/1971 Lillywhite 4/579 X
- 4,028,751 6/1977 Moran 4/565

Primary Examiner—James R. Largen
Attorney, Agent, or Firm—Fulwider, Patton, Rieber, Lee & Utecht

[57] CLAIM

The ornamental design for a bath tub, substantially as shown and described.

DESCRIPTION

FIG. 1 is a perspective view taken from the top, front and right end of a bathtub showing my design; FIG. 2 is a left end elevation thereof; FIG. 3 is a rear elevation thereof, the center being broken away to illustrate the contour of the tub; FIG. 4 is a bottom view thereof; and FIG. 5 is a top plan view thereof.

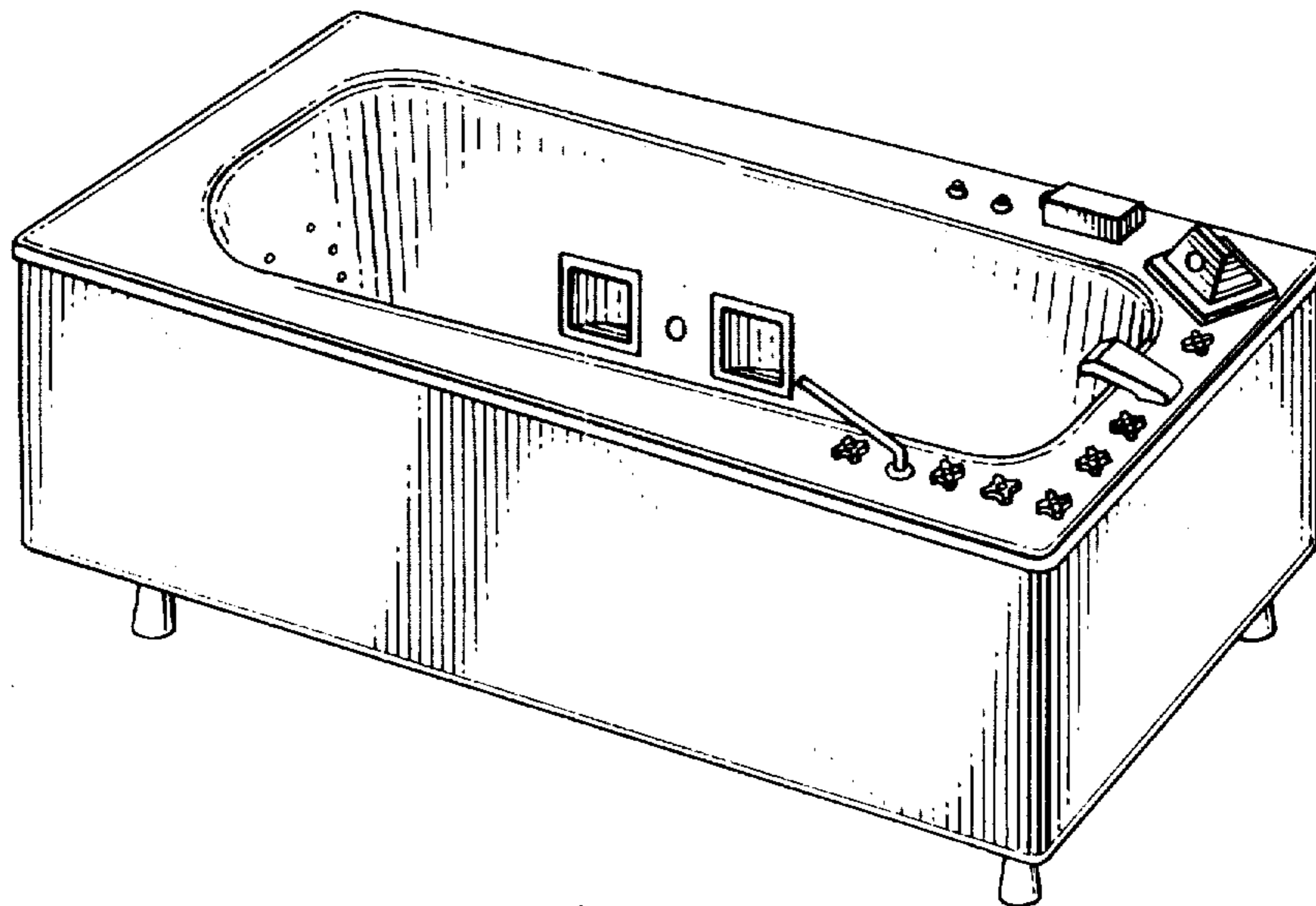


Fig. 1

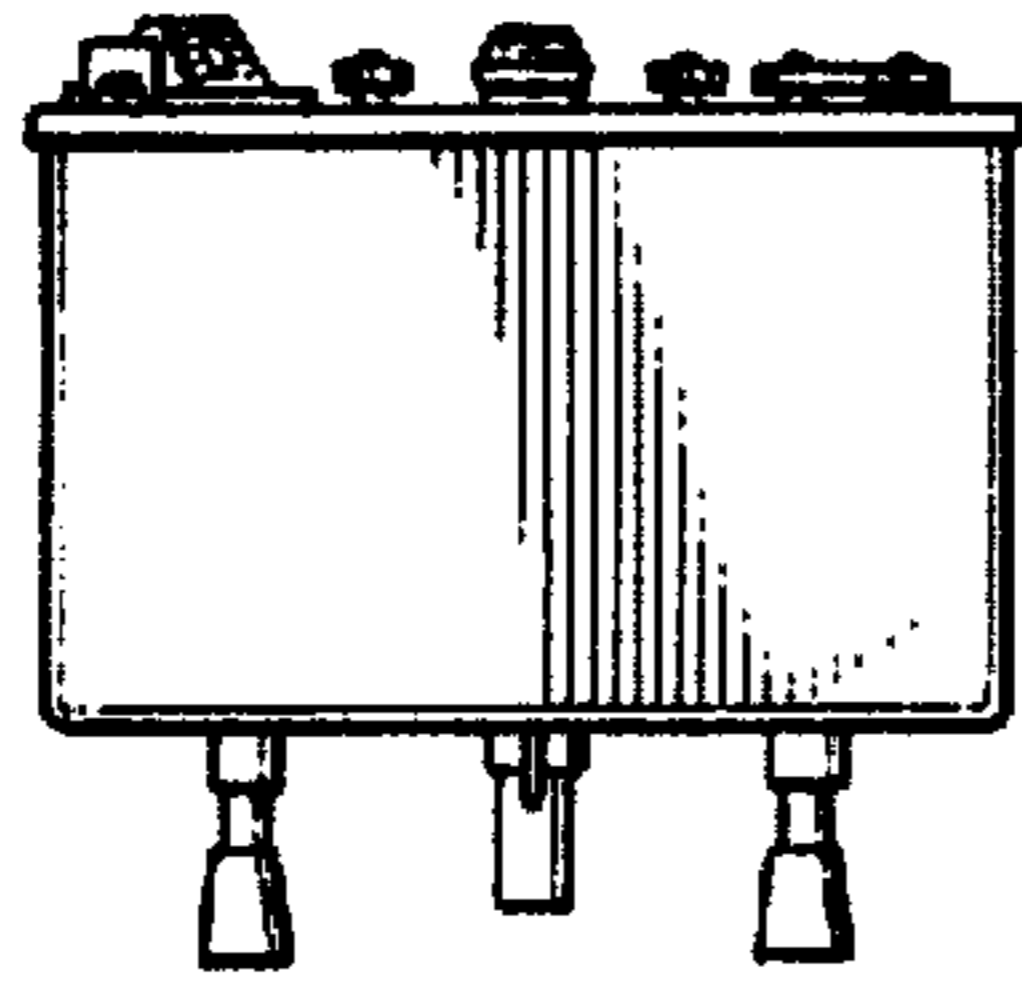
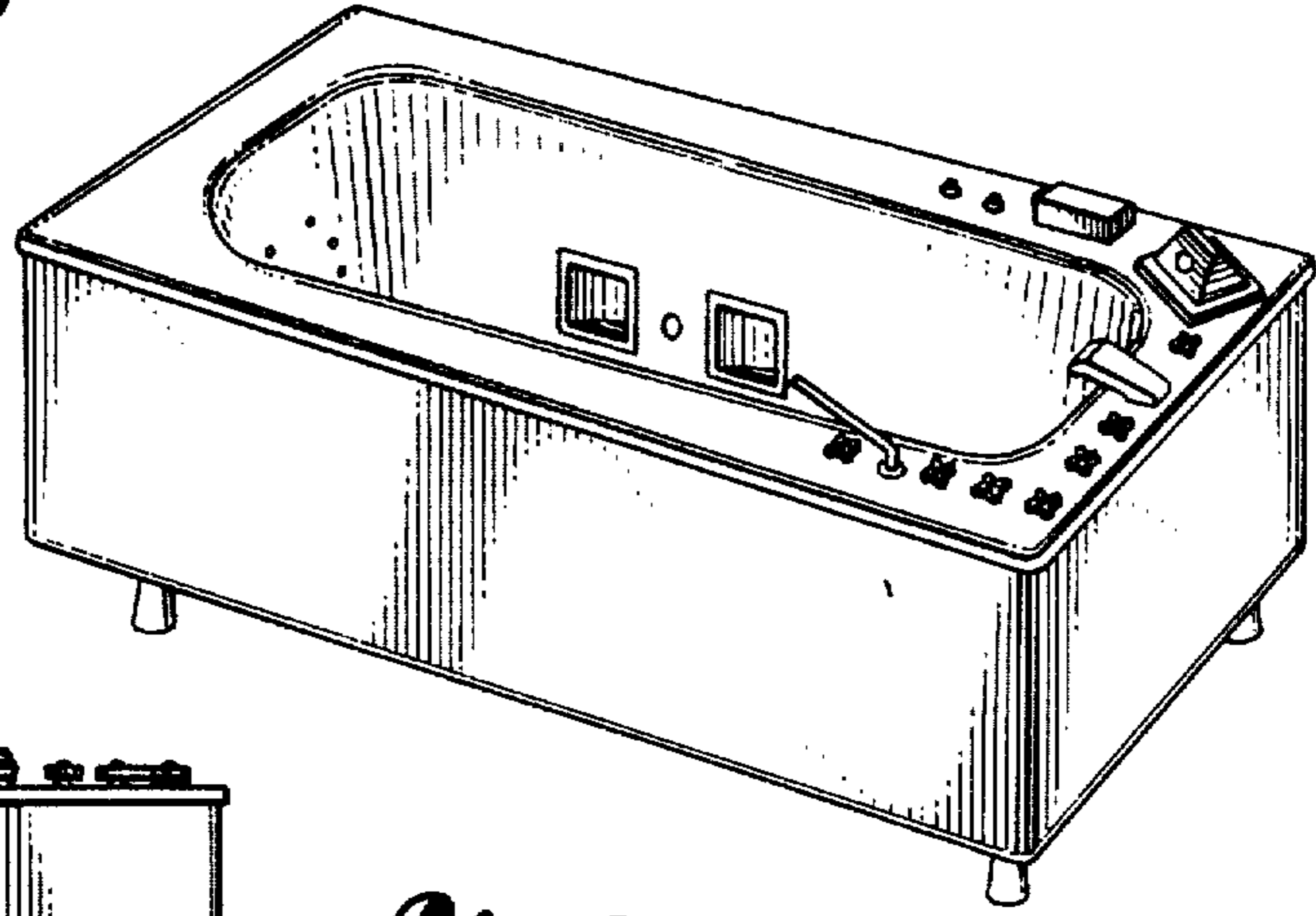


Fig. 2

Fig. 3

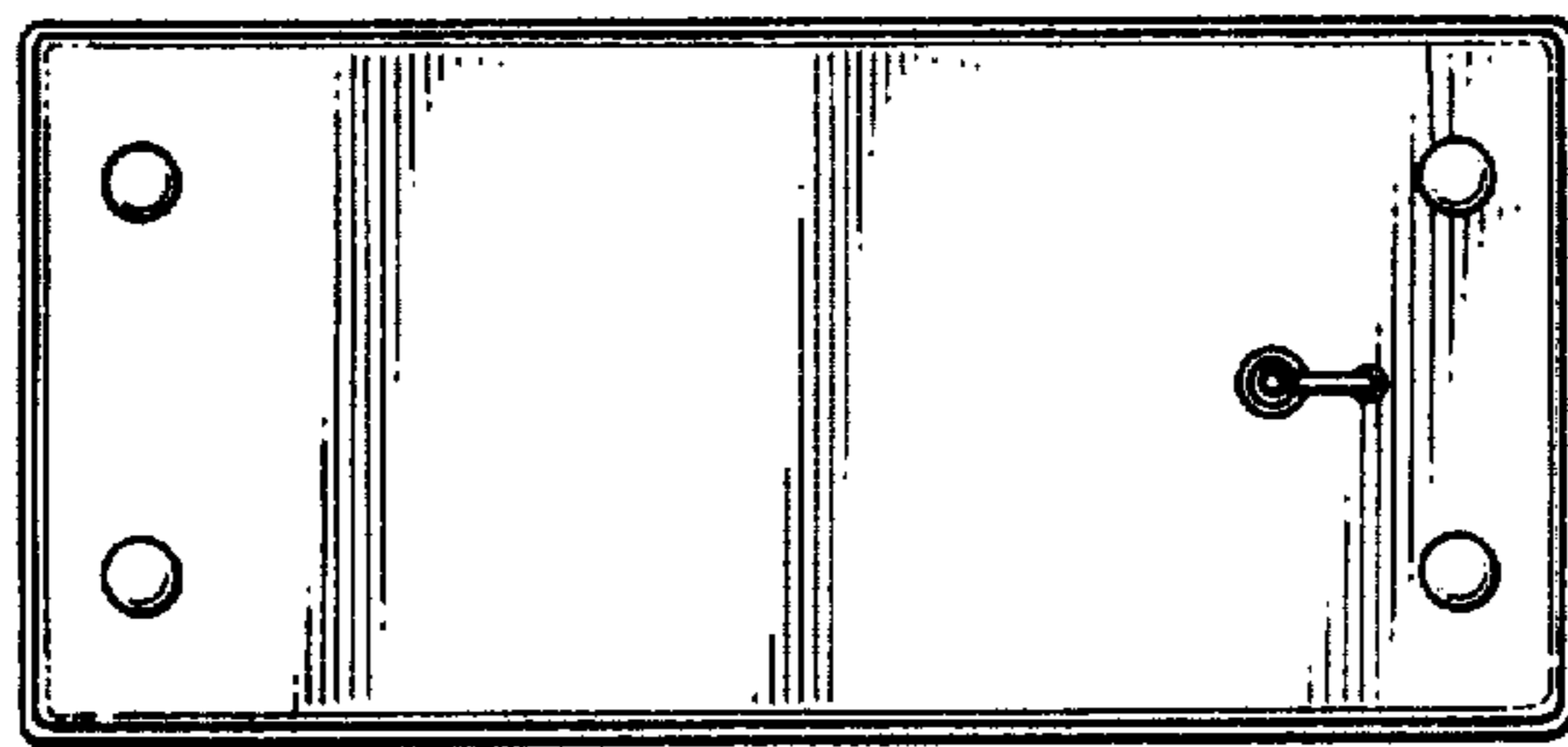
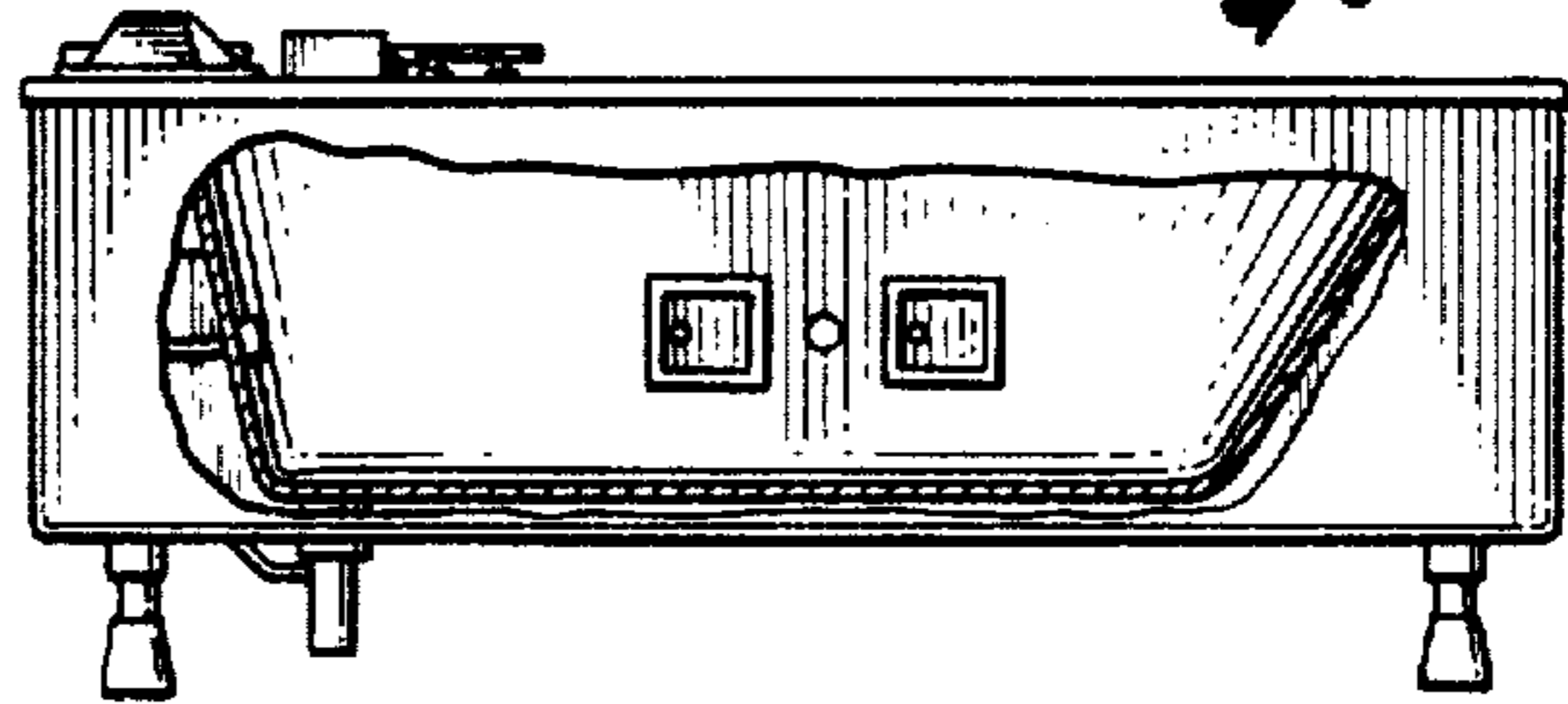


Fig. 4

Fig. 5

