

[54] TEETER-TOTTER

[76] Inventor: Stanley D. Fuller, P.O. Box 71,
Shiocton, Wis. 54170

[**] Term: 14 Years

[21] Appl. No.: 305,021

[22] Filed: Oct. 5, 1981

[51] Int. Cl. D21-03

[52] U.S. Cl. D21/251

[58] Field of Search D21/251; 272/54

[56] References Cited

U.S. PATENT DOCUMENTS

- D. 54,267 12/1919 Jordan et al. D21/251
- D. 146,168 1/1947 Bvczkowski D21/251

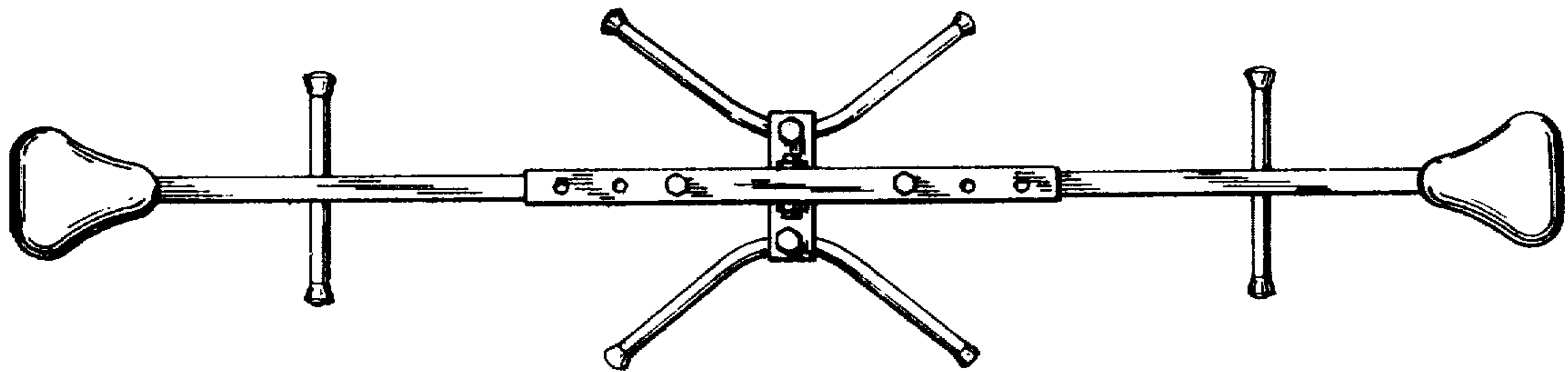
Primary Examiner—Melvin B. Feifer
Attorney, Agent, or Firm—Andrus, Scales, Starke &
Sawall

[57] CLAIM

The ornamental design for a teeter-totter, substantially
as shown.

DESCRIPTION

FIG. 1 is a side view of a teeter-totter showing my new
design;
FIG. 2 is a top plan view thereof.
FIG. 3 is a bottom plan view thereof; and
FIG. 4 is an end view thereof;



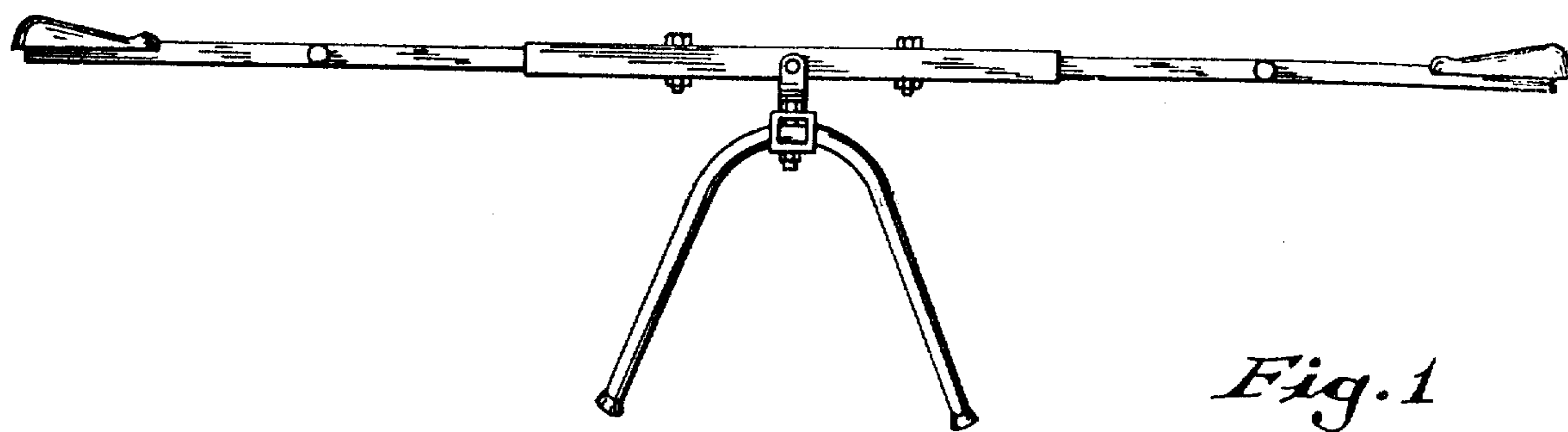


Fig. 1

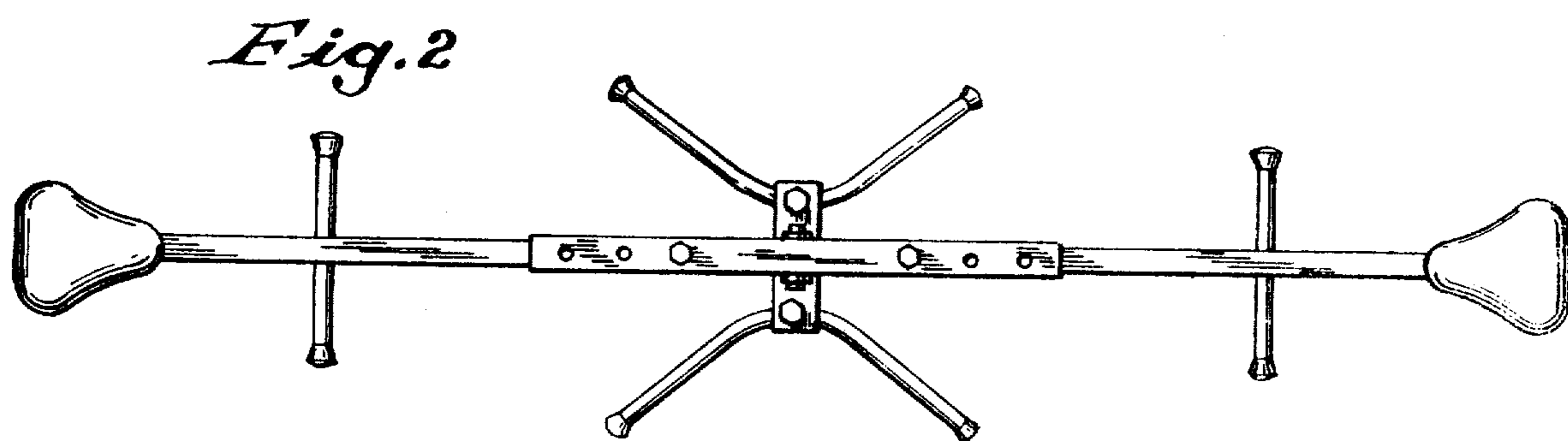


Fig. 2

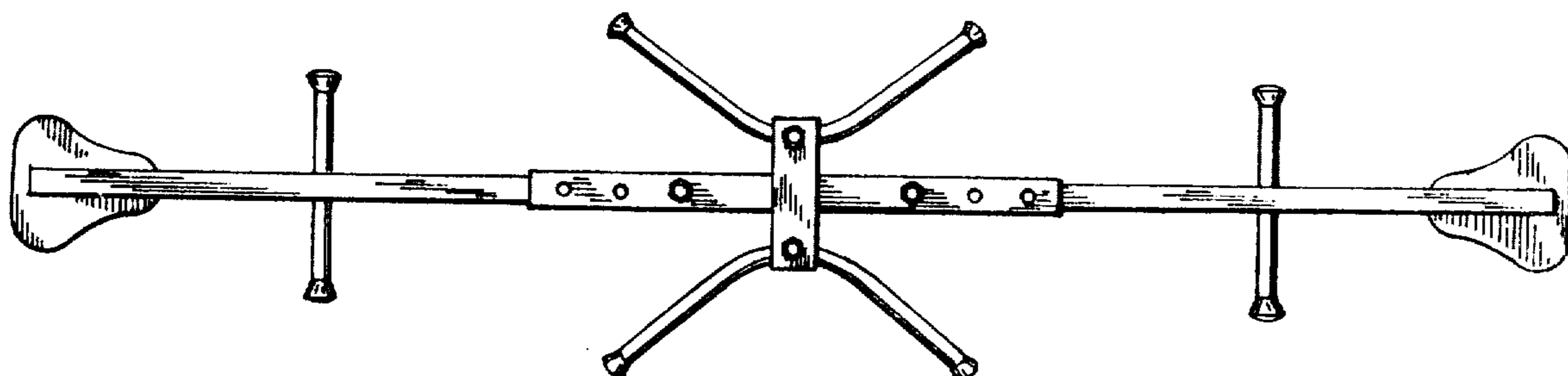


Fig. 3

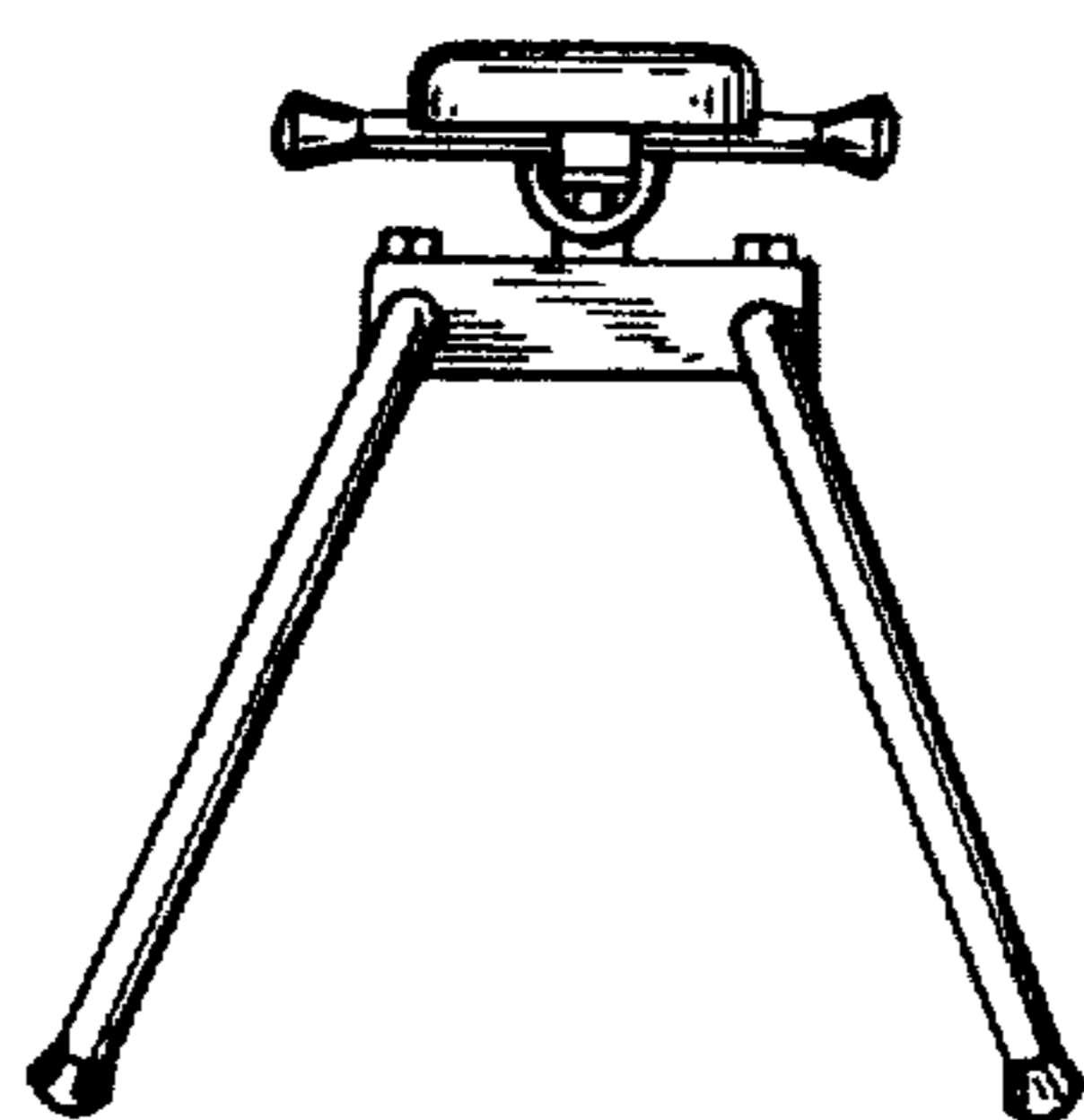


Fig. 4