

[54] **EXERCISE TREADMILL**

[76] Inventor: **Ralph Ogden**, 1304 Fisher St.,
Munster, Ind. 46321

[**] Term: **14 Years**

[21] Appl. No.: **321,466**

[22] Filed: **Nov. 16, 1981**

[51] Int. Cl. **D21-02**

[52] U.S. Cl. **D21/192**

[58] Field of Search 272/69; D21/191, 192

[56] **References Cited**

U.S. PATENT DOCUMENTS

D. 219,744 1/1971 Heslen D21/192
759,296 5/1904 Morairty 272/69

OTHER PUBLICATIONS

Popular Science, 5-1981, p. 118, Item "Treadmill".

Primary Examiner—Charles A. Rademaker
Attorney, Agent, or Firm—McWilliams, Mann, Zummer
& Sweeney

[57] **CLAIM**

The ornamental design for an exercise treadmill, substantially as shown and described.

DESCRIPTION

FIG. 1 is a front perspective view of an exercise treadmill showing my new design;
FIG. 2 is a left side elevational view thereof;
FIG. 3 is a right side elevational view thereof;
FIG. 4 is a top plan view thereof;
FIG. 5 is a bottom plan view thereof;
FIG. 6 is a front elevational view thereof;
FIG. 7 is a rear elevational view thereof;
FIG. 8 is a left side elevational view thereof showing the design in an alternate condition; and,
FIG. 9 is a right side elevational view thereof.

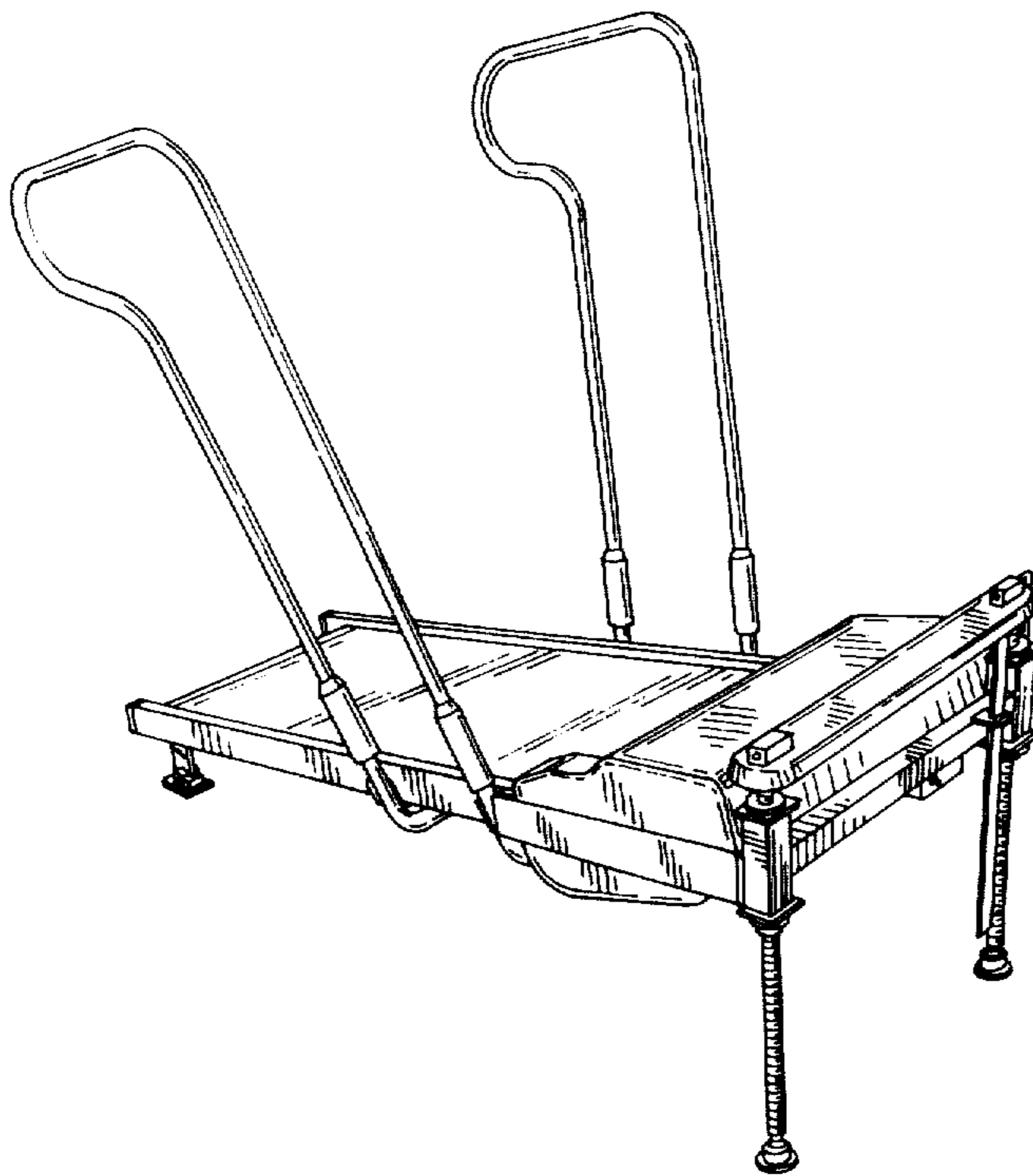


FIG. 1

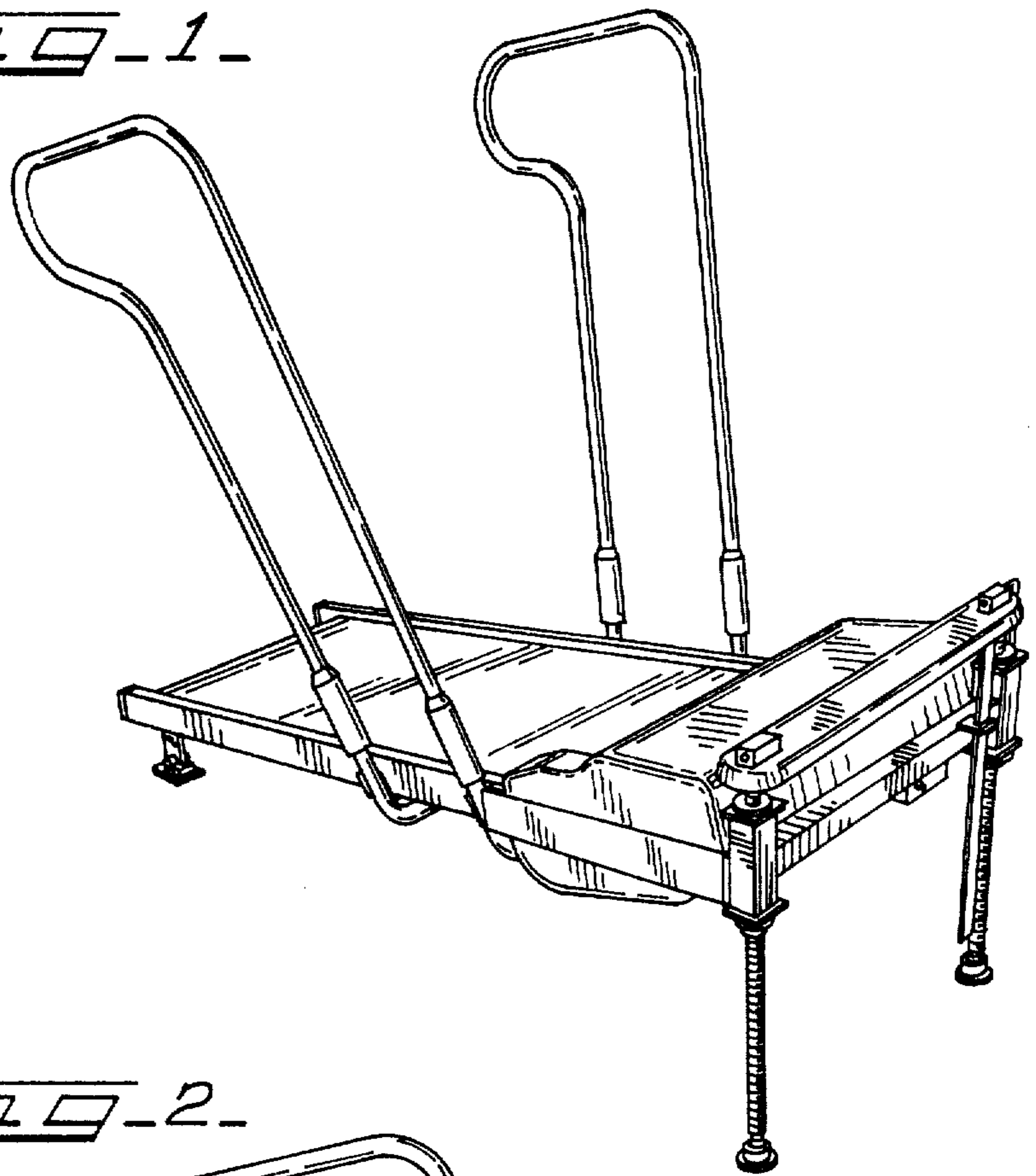
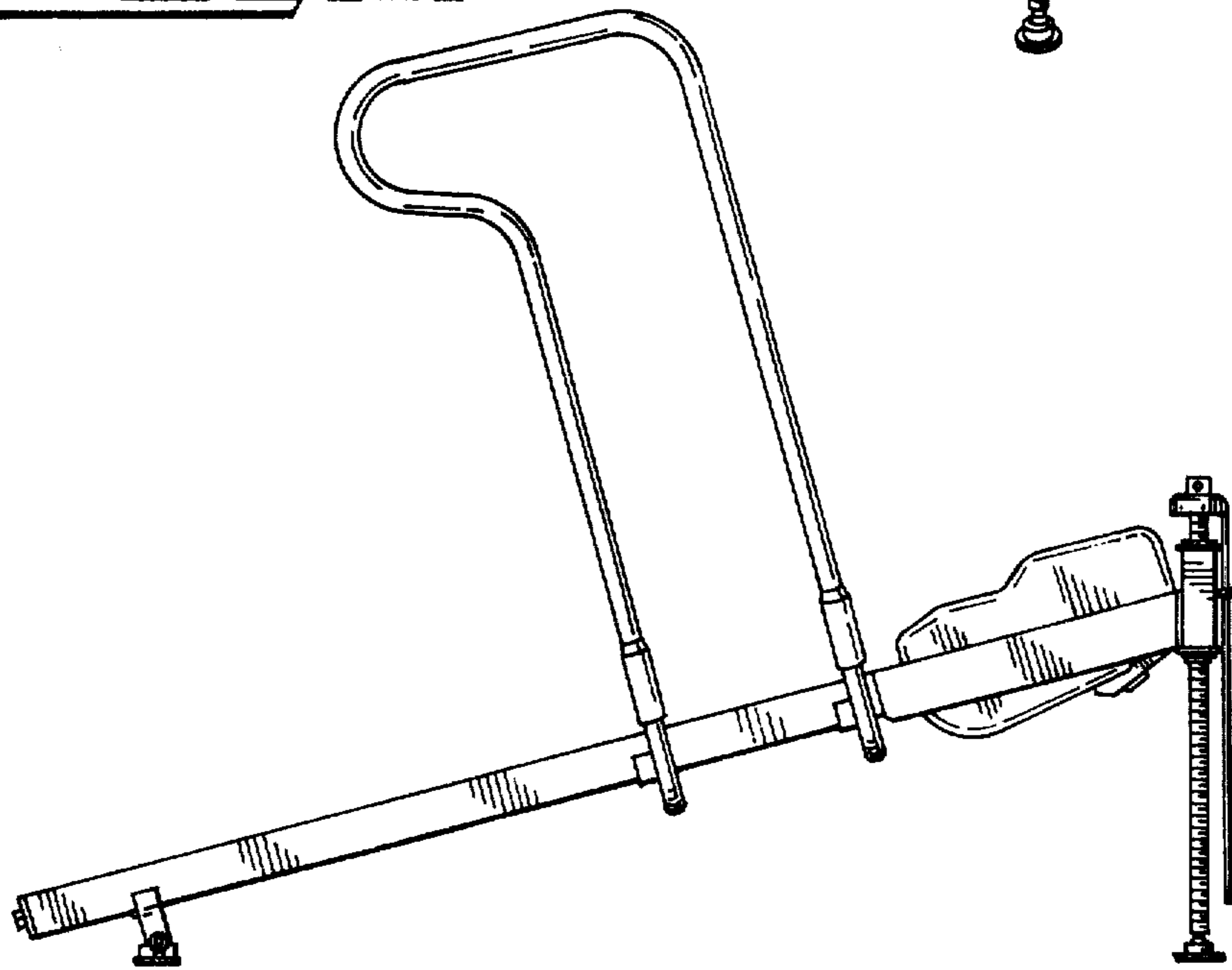


FIG. 2



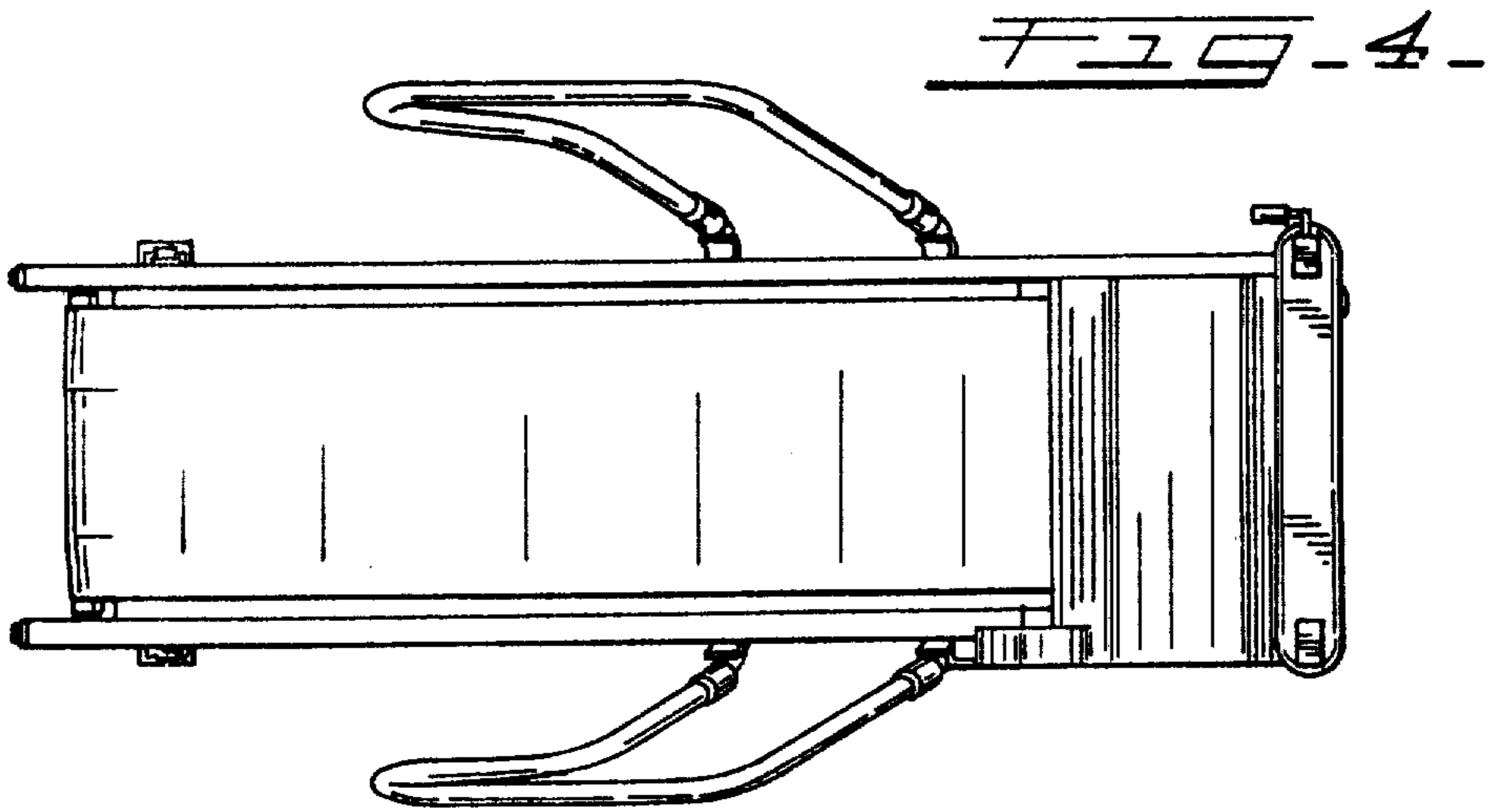
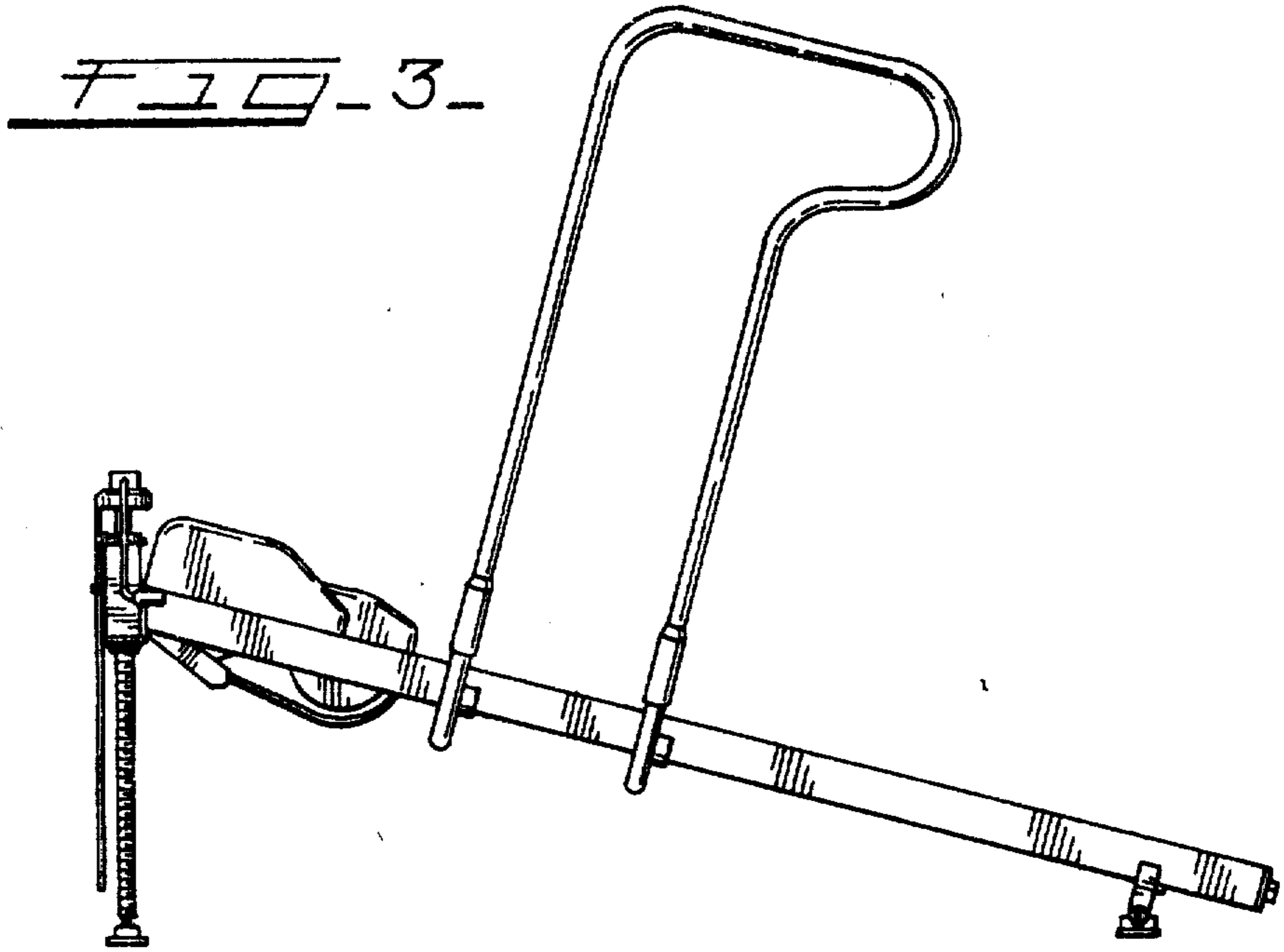


FIG. 5

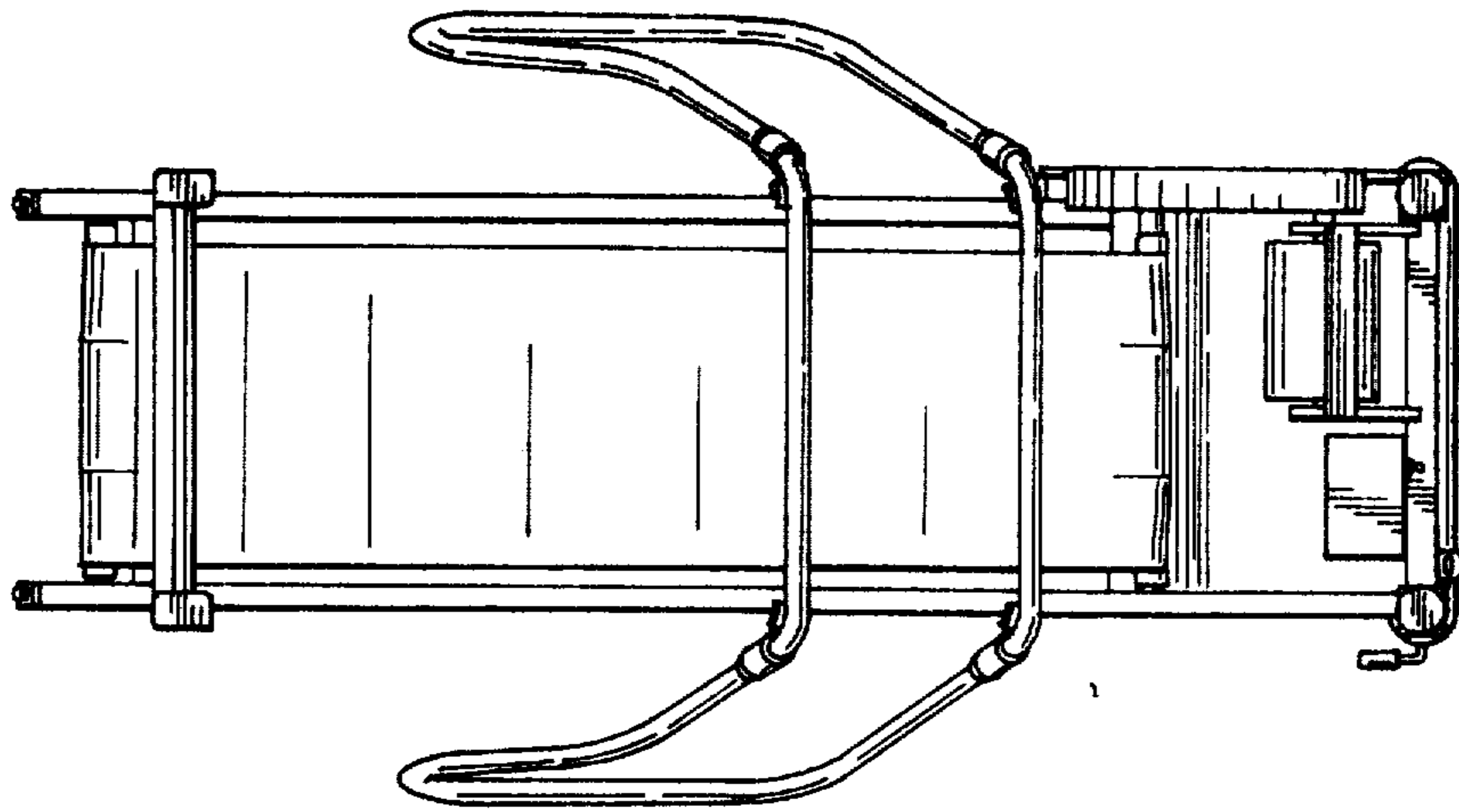


FIG. 6

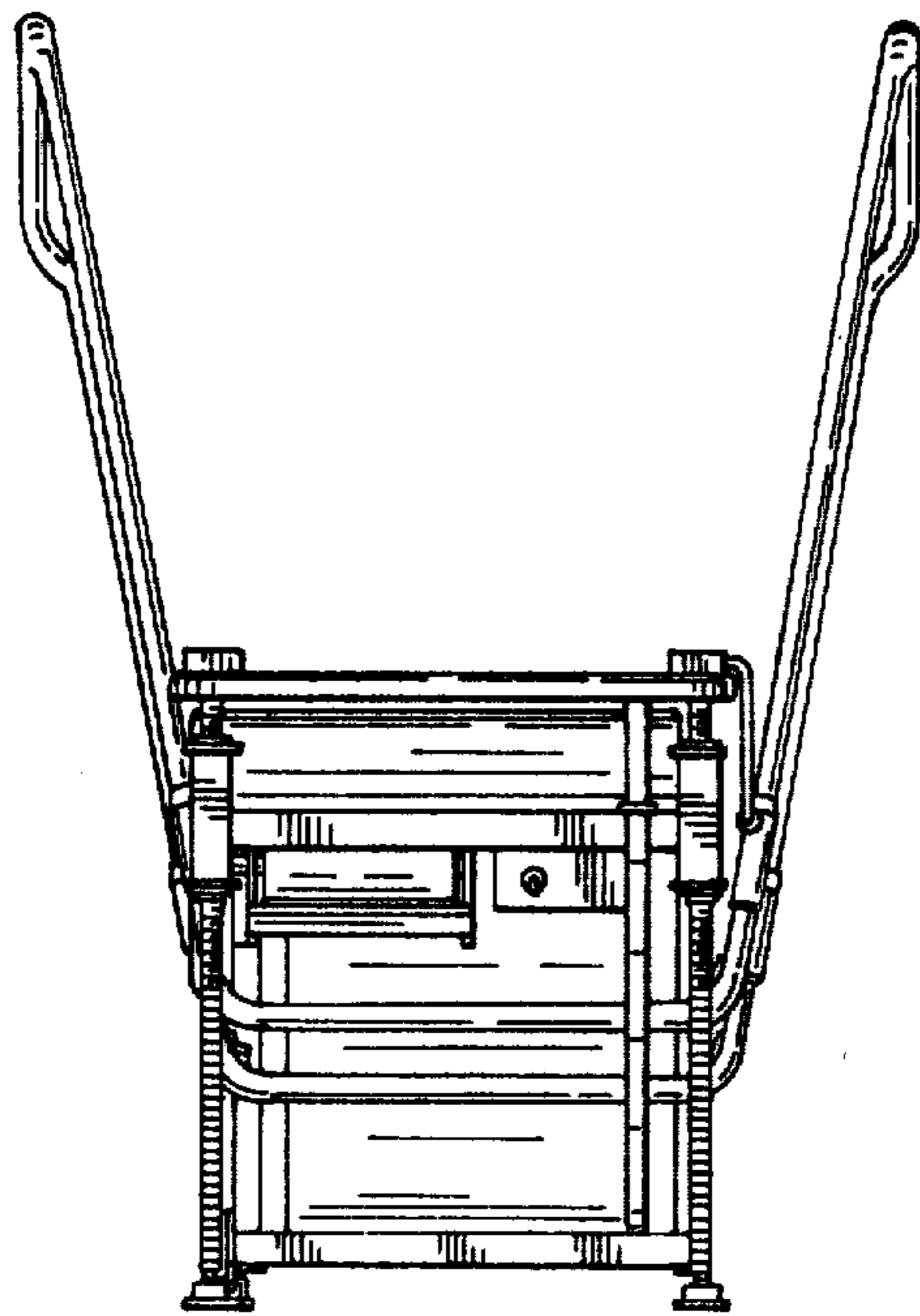


FIG. 7

