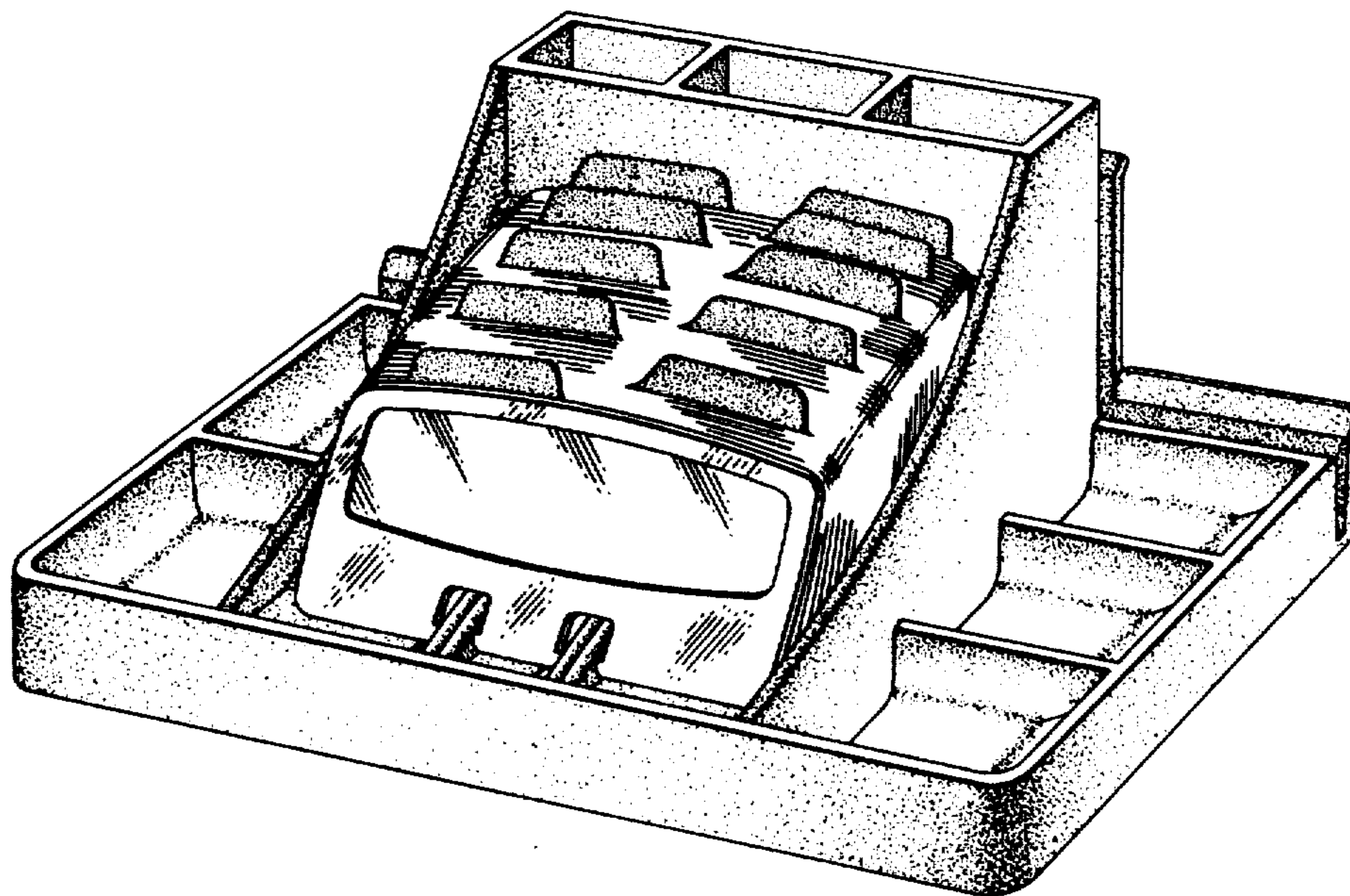


- [54] **COMBINED TELEPHONE LIST FINDER AND DESK TRAY**
- [75] Inventors: **Robert W. Burton**, Franklin Lakes;
Joseph C. Crowley, Jr., Summit;
Richard A. Davi, Glenwood, all of N.J.; **Albrecht Goertz**, New York, N.Y.
- [73] Assignee: **Rolodex Corporation**, Secaucus, N.J.
- [**] Term: **14 Years**
- [21] Appl. No.: **308,481**
- [22] Filed: **Oct. 5, 1981**
- [51] Int. Cl. **D19-02**
- [52] U.S. Cl. **D19/76; D19/75; D19/77; D19/85; D19/92**
- [58] Field of Search **D19/21, 22, 75, 79, D19/87, 90-92; 206/425; D6/140; 40/375, 381**

- [56] **References Cited**
U.S. PATENT DOCUMENTS
- D. 169,963 7/1953 Caldwell et al. D19/75
- D. 211,917 8/1968 Copeland D19/78
- D. 248,962 8/1978 Glaubinger et al. D19/76
- D. 265,659 8/1982 Glaubinger et al. D9/76
- Primary Examiner*—George P. Word
- Attorney, Agent, or Firm*—Robert E. Burns; Emmanuel J. Lobato; Bruce L. Adams

[57] **CLAIM**
The ornamental design for a combined telephone list finder and desk tray, as shown and described.

DESCRIPTION
FIG. 1 is a front perspective view of a combined telephone list finder and desk tray showing our new design. FIG. 2 is a perspective view thereof with the cards removed for convenience of illustration; FIG. 3 is an enlarged scale rear elevational view thereof; and FIG. 4 is a bottom plan view thereof.



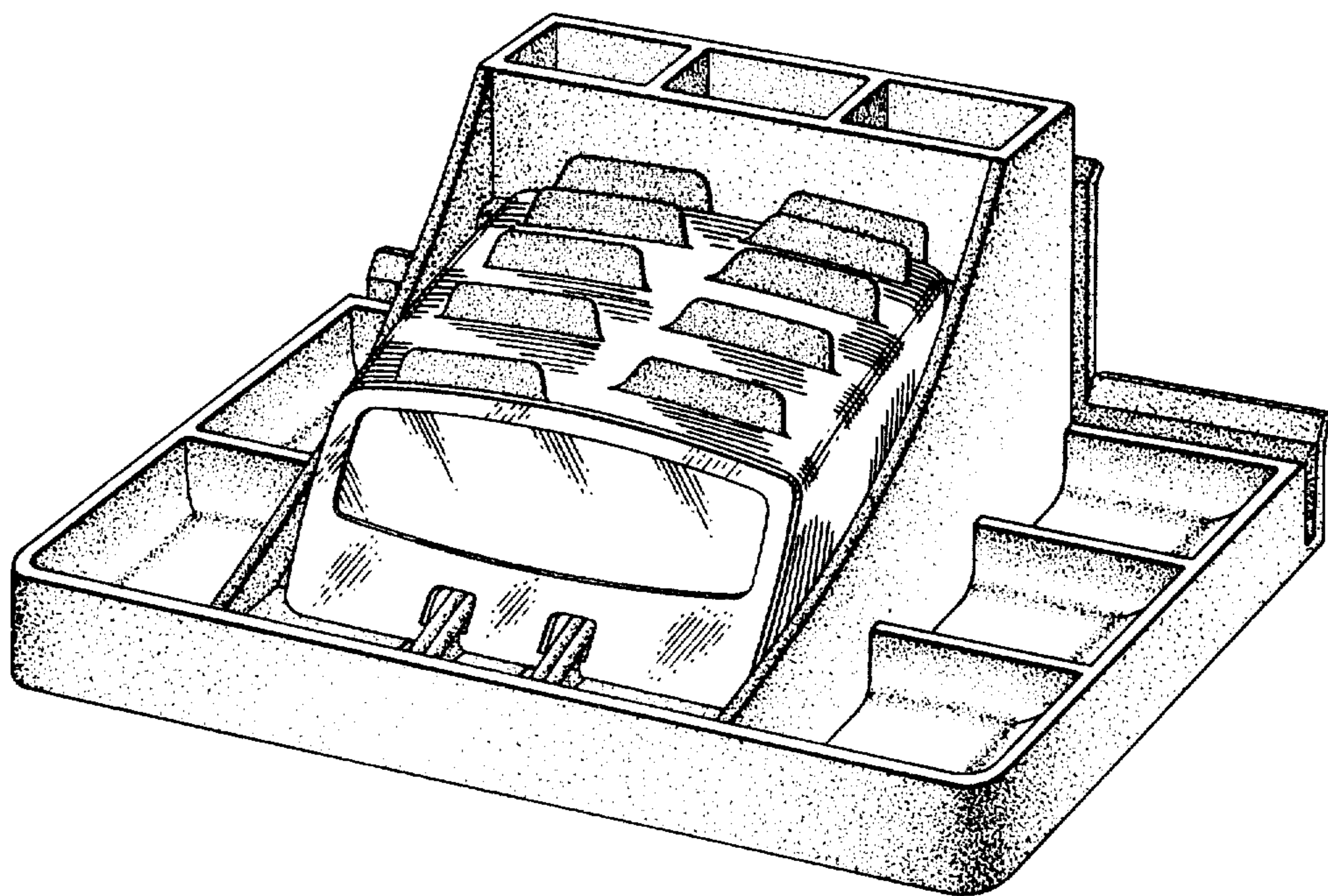


FIG. 1

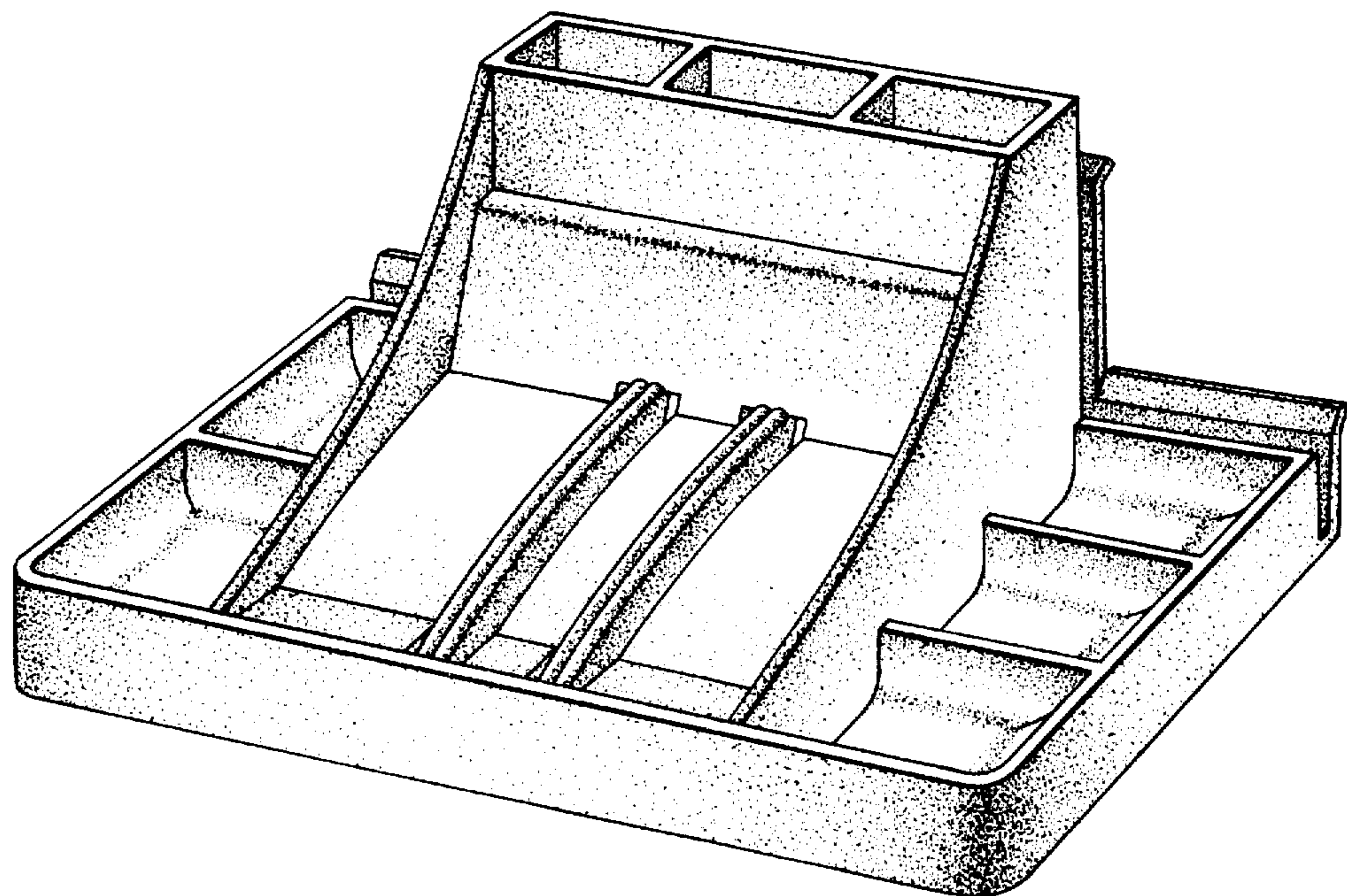


FIG. 2

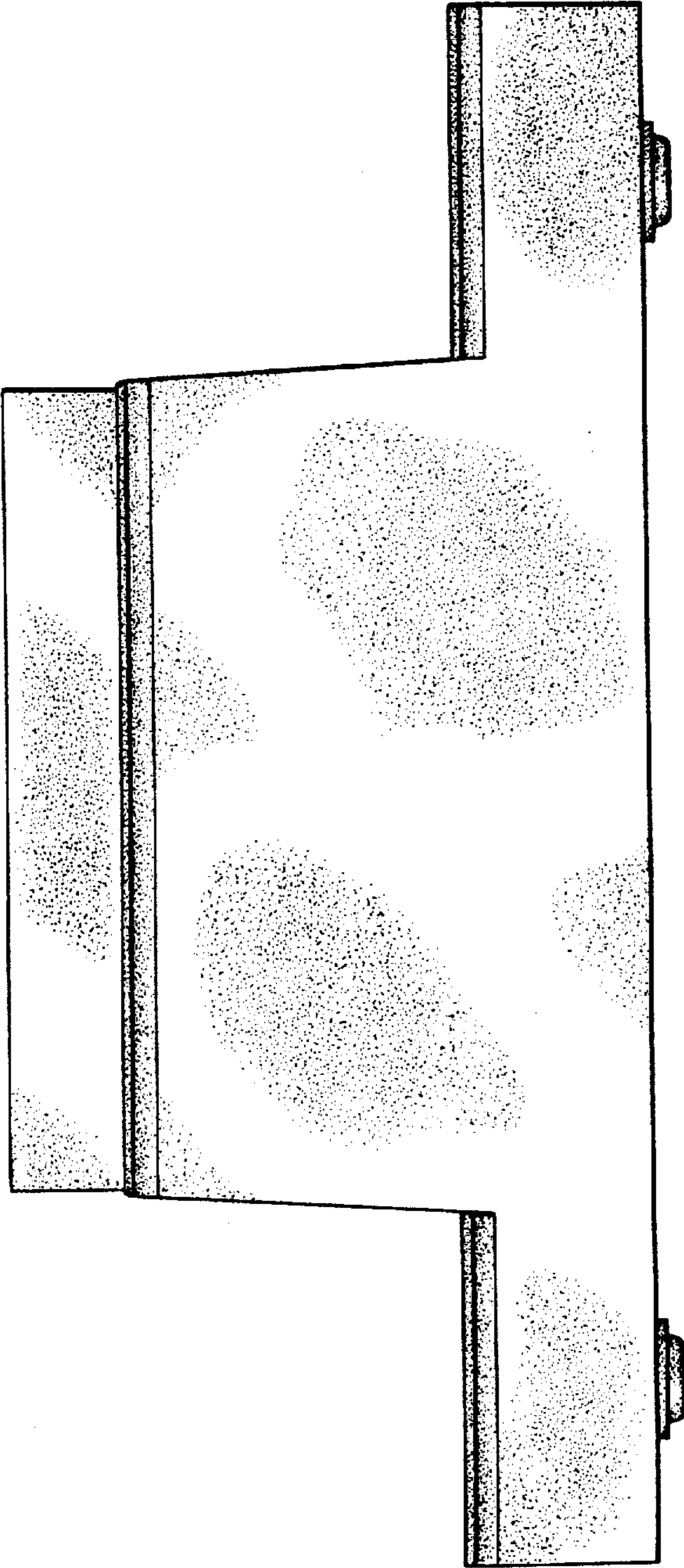


FIG. 3

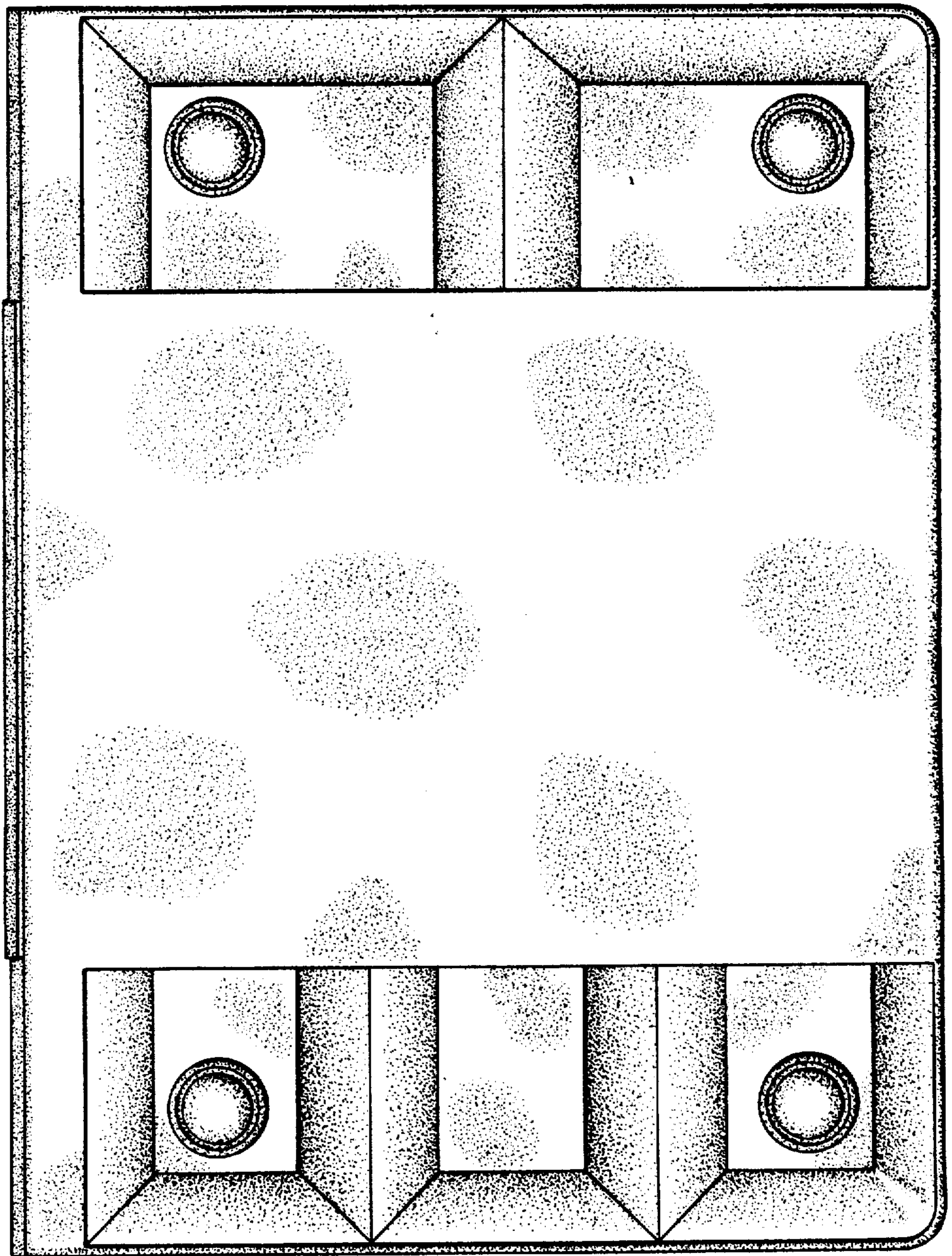


FIG. 4