

[54] **ELECTRONIC COPYING MACHINE OR THE LIKE**

[75] **Inventor:** Yozo Matsuzaka, Yokohama, Japan

[73] **Assignee:** Tokyo Shibaura Denki Kabushiki Kaisha, Japan

[**] **Term:** 14 Years

[21] **Appl. No.:** 274,078

[22] **Filed:** Jun. 16, 1981

[30] **Foreign Application Priority Data**

Dec. 16, 1980 [JP] Japan 55-52234

[51] **Int. Cl.** D16-03

[52] **U.S. Cl.** D16/31

[58] **Field of Search** D16/27-32;
 355/3 R, 5, 8-9, 11, 51

[56] **References Cited**

U.S. PATENT DOCUMENTS

D. 219,406	12/1970	Zimmerman	D16/31
D. 222,298	10/1971	Ishii	D16/31
D. 257,984	1/1981	Kurozumi	D16/31
D. 264,345	5/1982	Masaki	D16/31
D. 266,169	9/1982	Yasutani	D16/31
D. 266,254	9/1982	Horikoshi	D16/31
3,672,762	6/1972	Suzuki	355/8
4,334,761	6/1982	Saito	355/3 R

FOREIGN PATENT DOCUMENTS

54-500678	1/1979	Japan	.
55-532292	3/1980	Japan	.
55-533290	3/1980	Japan	.
56-555866	3/1981	Japan	.

OTHER PUBLICATIONS

Catalogue of Canon NP200-J Electronic Copying Machine.

Catalogue of Cybernet Copy Machine.

Primary Examiner—Nelson C. Holtje

Attorney, Agent, or Firm—Finnegan, Henderson, Farabow, Garrett & Dunner

[57] **CLAIM**

The ornamental design for an electronic copying machine or the like, substantially as shown and described.

DESCRIPTION

FIG. 1 is a perspective view of an electronic copying machine showing my new design;
 FIG. 2 is a front elevational view thereof;
 FIG. 3 is a top plan view thereof;
 FIG. 4 is a right side elevational view thereof;
 FIG. 5 is a left side elevational view thereof;
 FIG. 6 is a rear elevational view thereof;
 FIG. 7 is a bottom plan view thereof; and
 FIG. 8 is a front perspective view of FIG. 1 with the cover and paper tray in the open position.

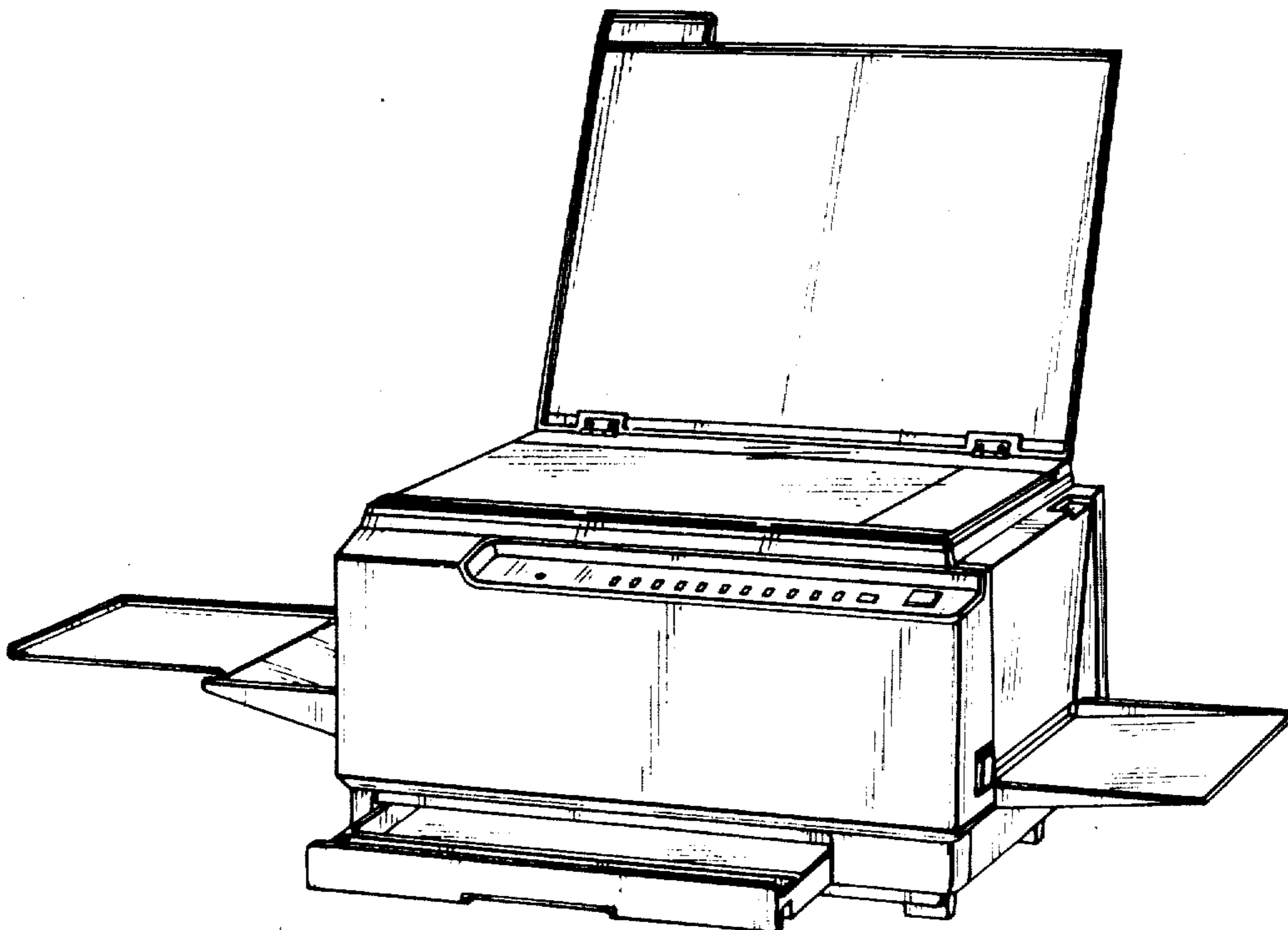


FIG. 1

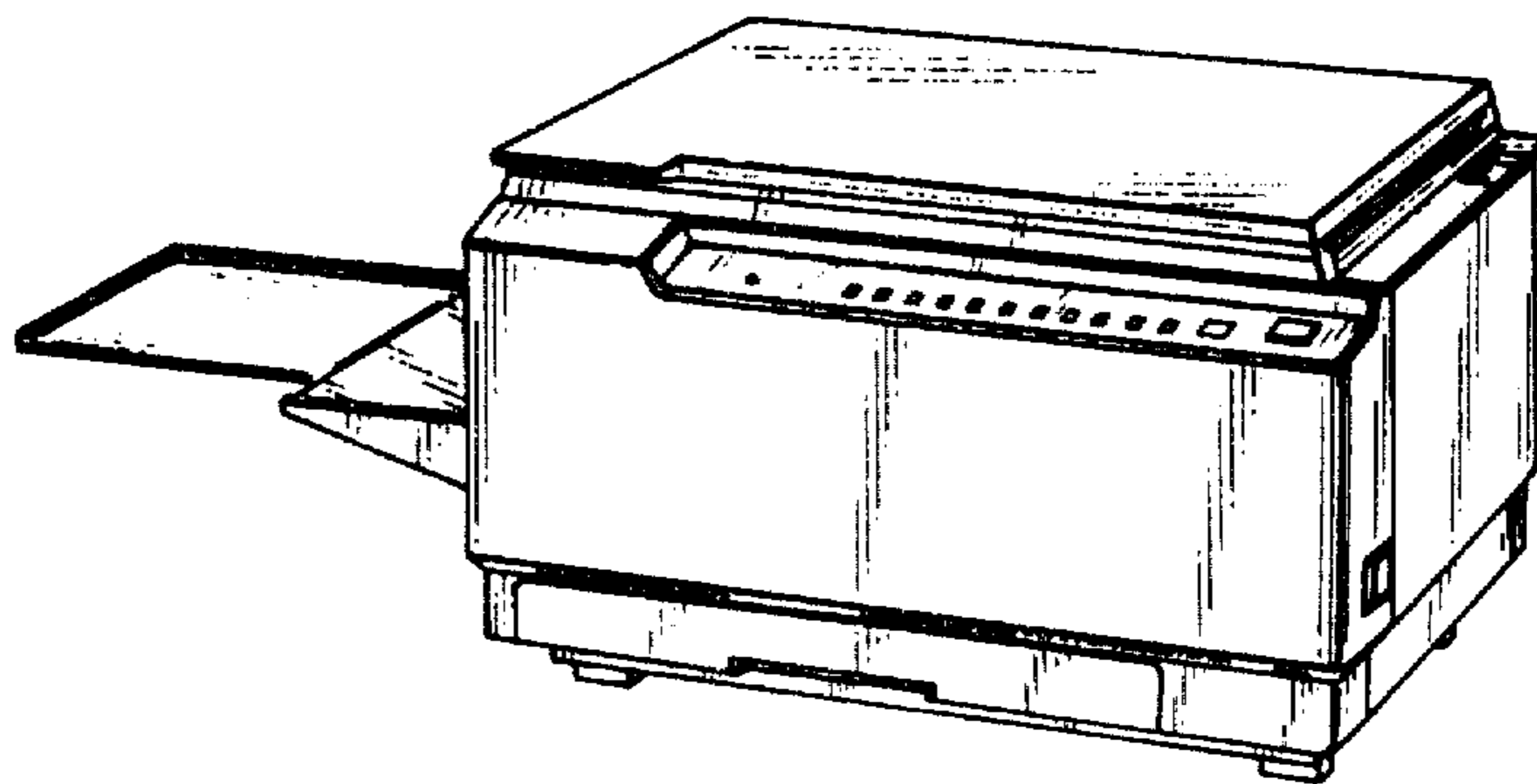


FIG. 2

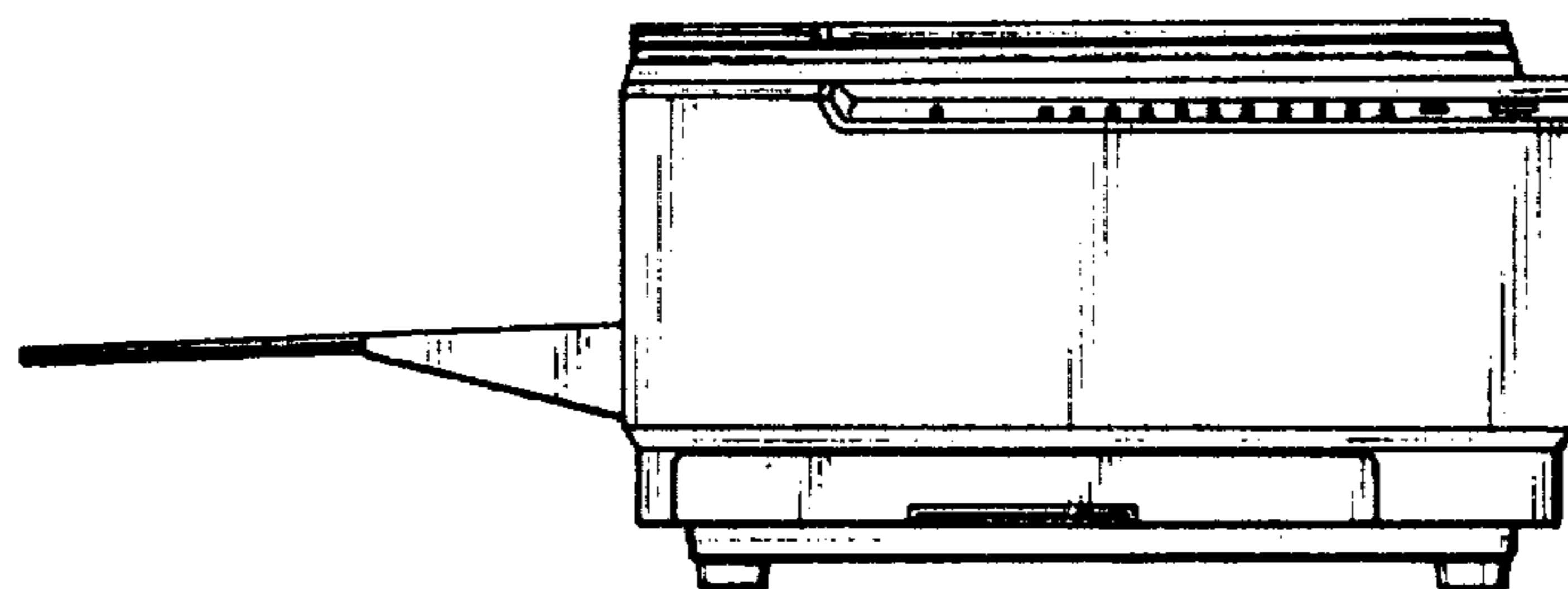


FIG. 3

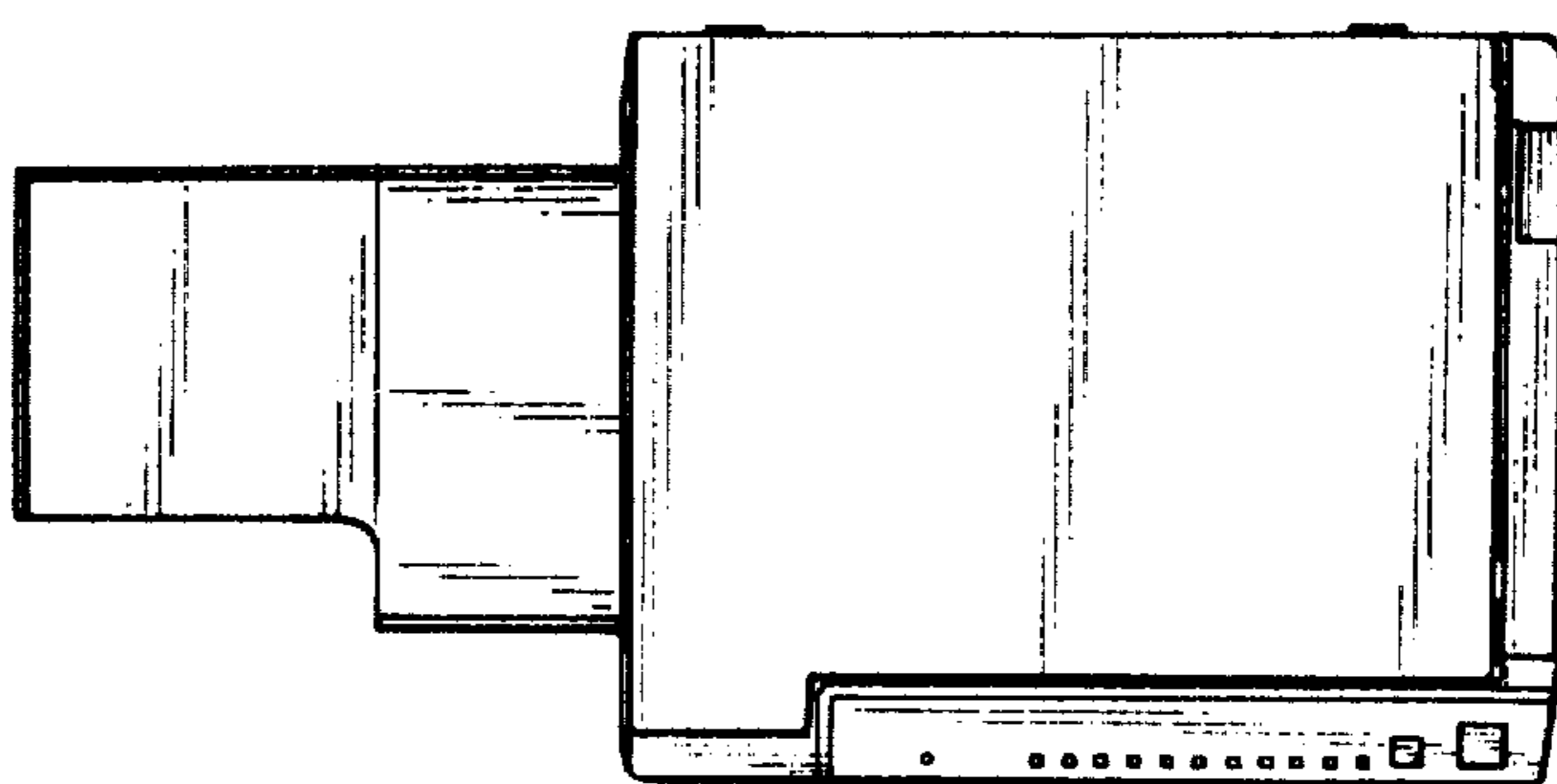


FIG. 4

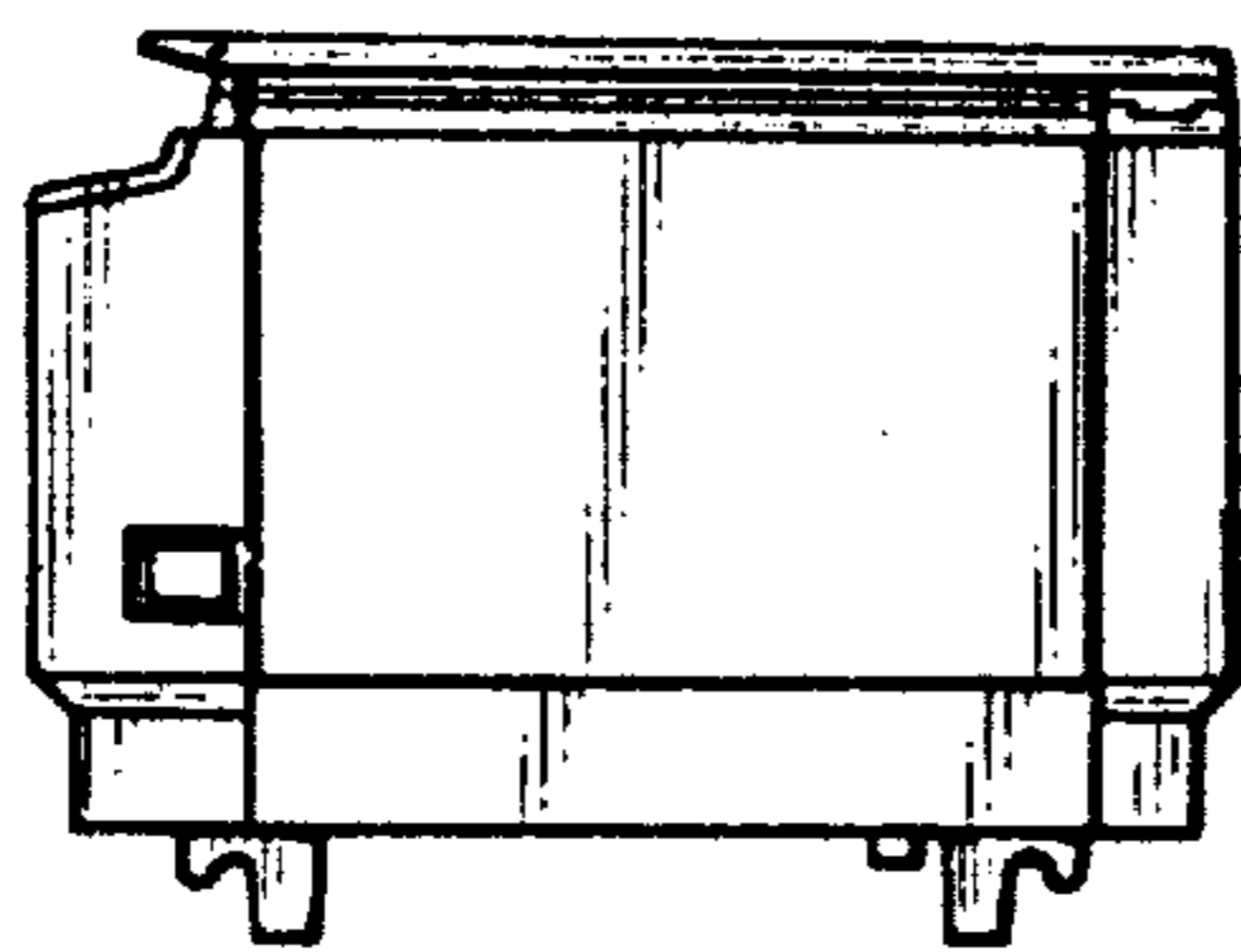


FIG. 5

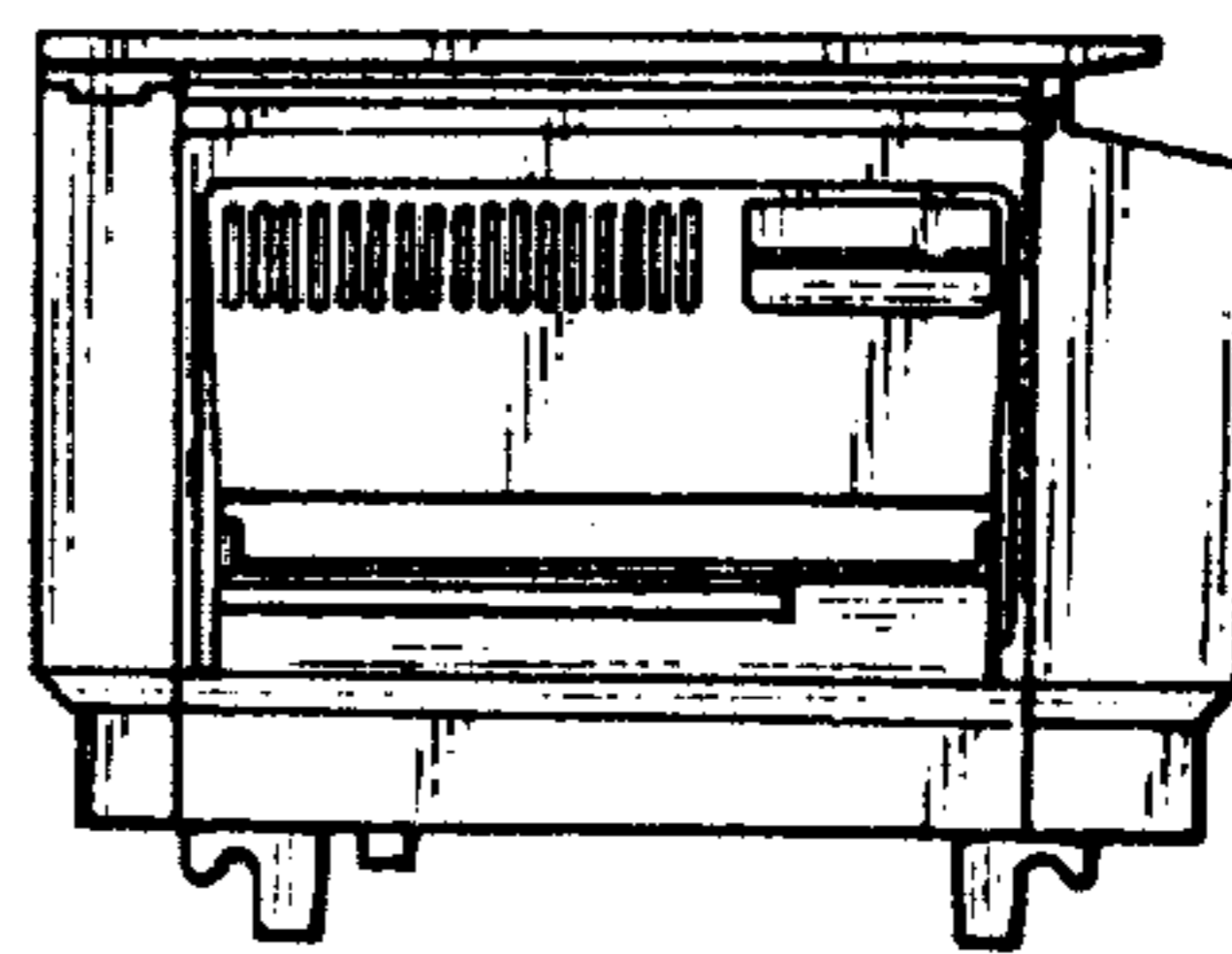


FIG. 6

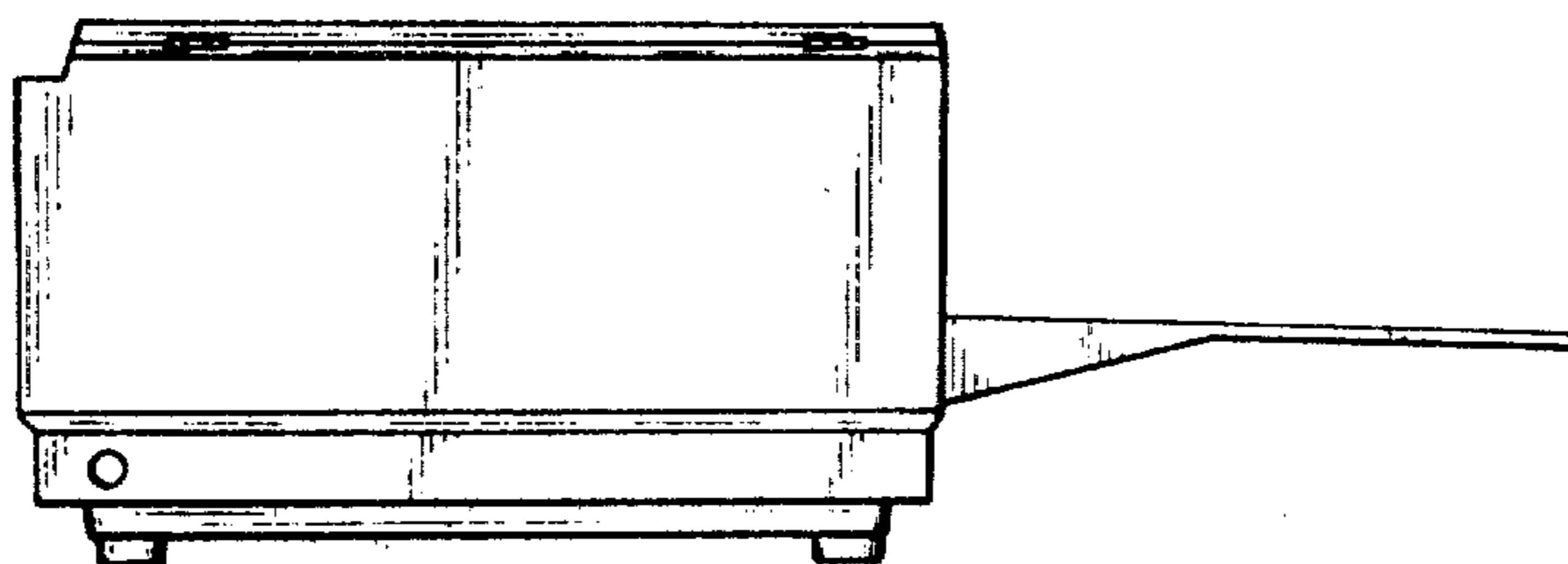


FIG. 7

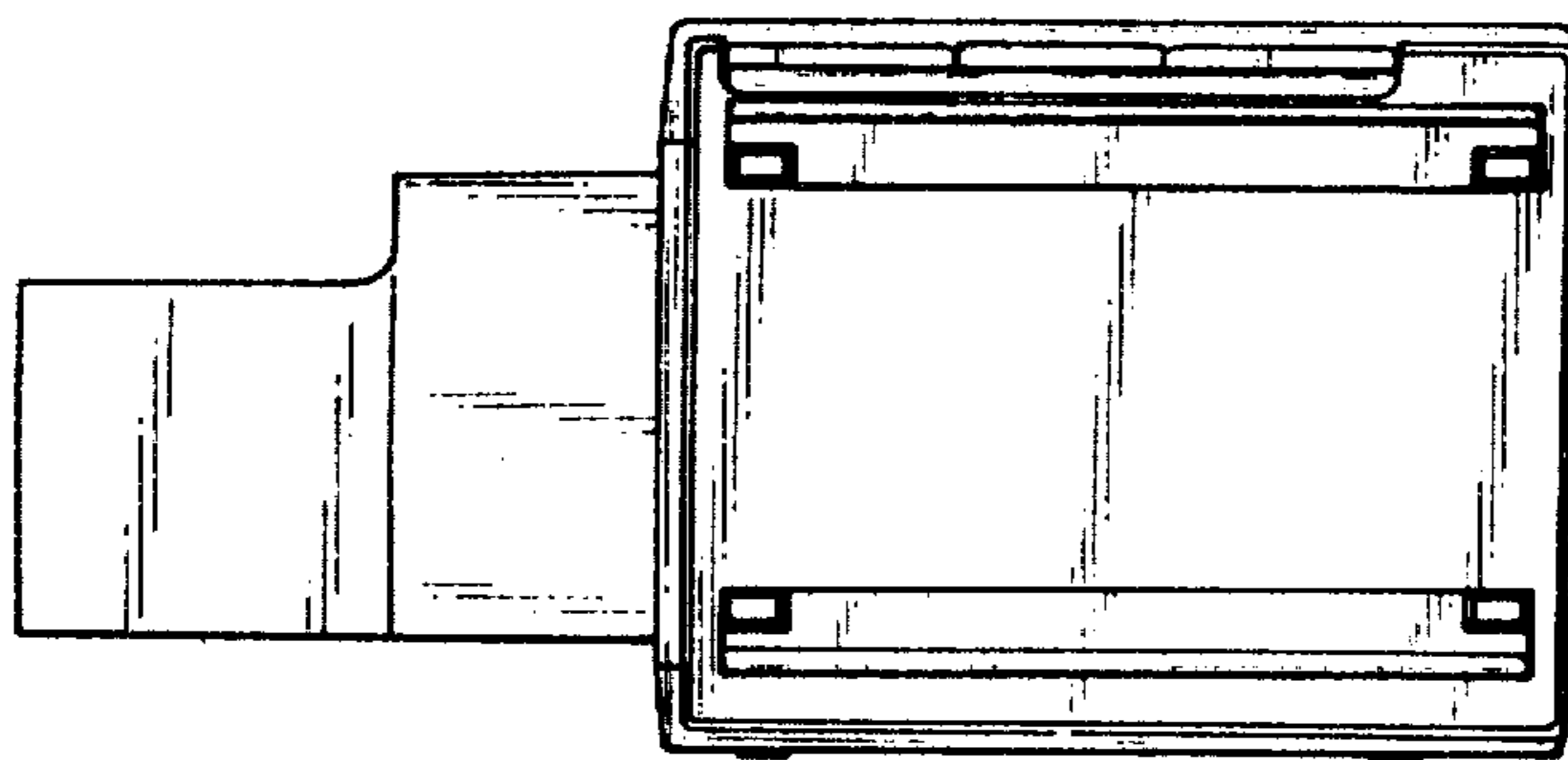


FIG. 8

