

[54] ELECTRONIC COPYING MACHINE OR THE LIKE

[75] Inventor: Shigeki Yasutani, Kashiwa, Japan

[73] Assignee: Tokyo Shibaura Denki Kabushiki Kaisha, Japan

[**] Term: 14 Years

[21] Appl. No.: 274,077

[22] Filed: Jun. 16, 1981

[30] Foreign Application Priority Data

Dec. 25, 1980 [JP] Japan 55-53894

[51] Int. Cl. D16-03

[52] U.S. Cl. D16/30

[58] Field of Search D16/27-32; 355/3 R, 5, 8-9, 11, 51

[56] References Cited

U.S. PATENT DOCUMENTS

- D. 200,129 1/1965 Plantholt D16/30
- D. 245,848 9/1977 Bevilacqua D16/30
- D. 264,345 5/1982 Masaki D16/31
- D. 264,727 6/1982 Matsuzaka D16/31
- D. 265,655 8/1982 Goto D16/30
- D. 265,656 8/1982 Matsushima D16/31
- 2,871,819 2/1959 Gundlach D16/32 X
- 3,834,805 9/1974 Pichierri 355/8

- 4,126,388 11/1978 Kawai 355/3 R X
- 4,213,696 7/1980 Wise 355/5
- 4,336,807 12/1980 Kuehnle 355/3 R

FOREIGN PATENT DOCUMENTS

- 53-498916 12/1978 Japan .
- 54-501522 1/1979 Japan .
- 54-512921 6/1979 Japan .

Primary Examiner—Nelson C. Holtje
Attorney, Agent, or Firm—Finnegan, Henderson, Farabow, Garrett & Dunner

[57] CLAIM

The ornamental design for an electronic copying machine or the like, substantially as shown and described.

DESCRIPTION

FIG. 1 is a perspective view of an electronic copying machine showing my new design;
 FIG. 2 is a front elevational view thereof;
 FIG. 3 is a right side elevational view thereof;
 FIG. 4 is a rear elevational view thereof;
 FIG. 5 is a left side elevational view thereof;
 FIG. 6 is a top plan view thereof;
 FIG. 7 is a front perspective view with the cover in an open position;
 FIG. 8 is an enlarged top-front perspective view of the upper portion of the machine with a display in a folded position.

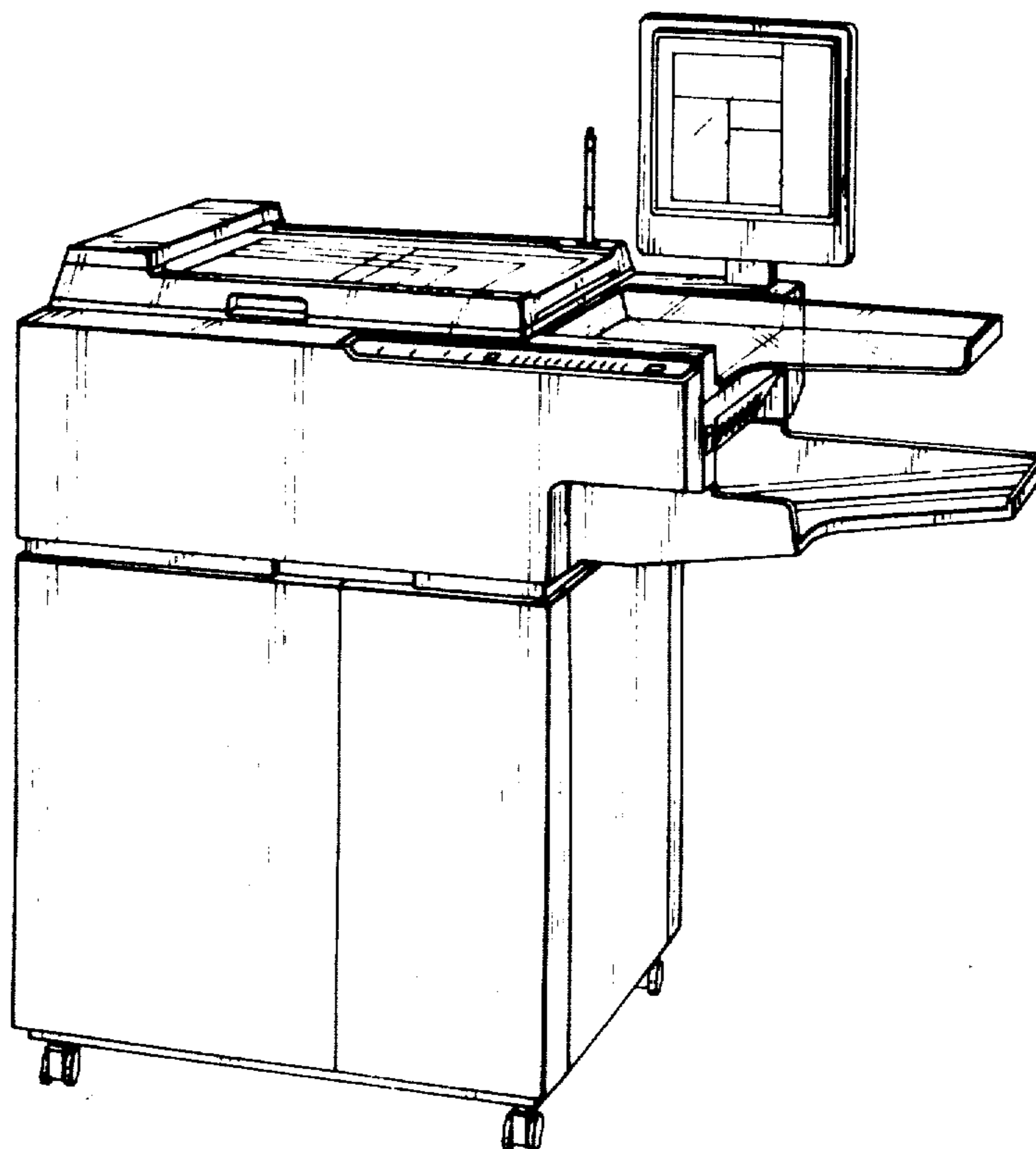


FIG. 1

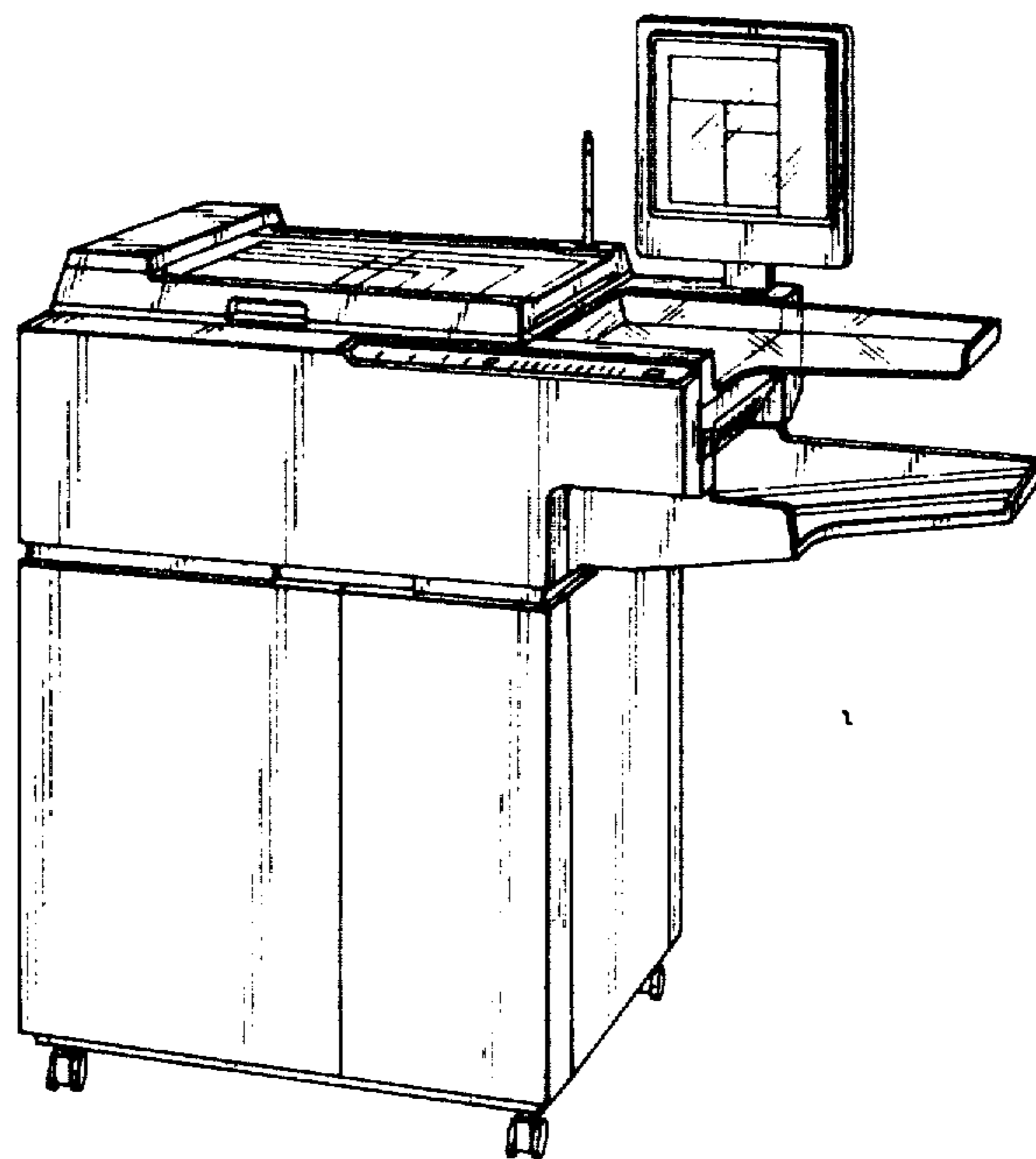


FIG. 2

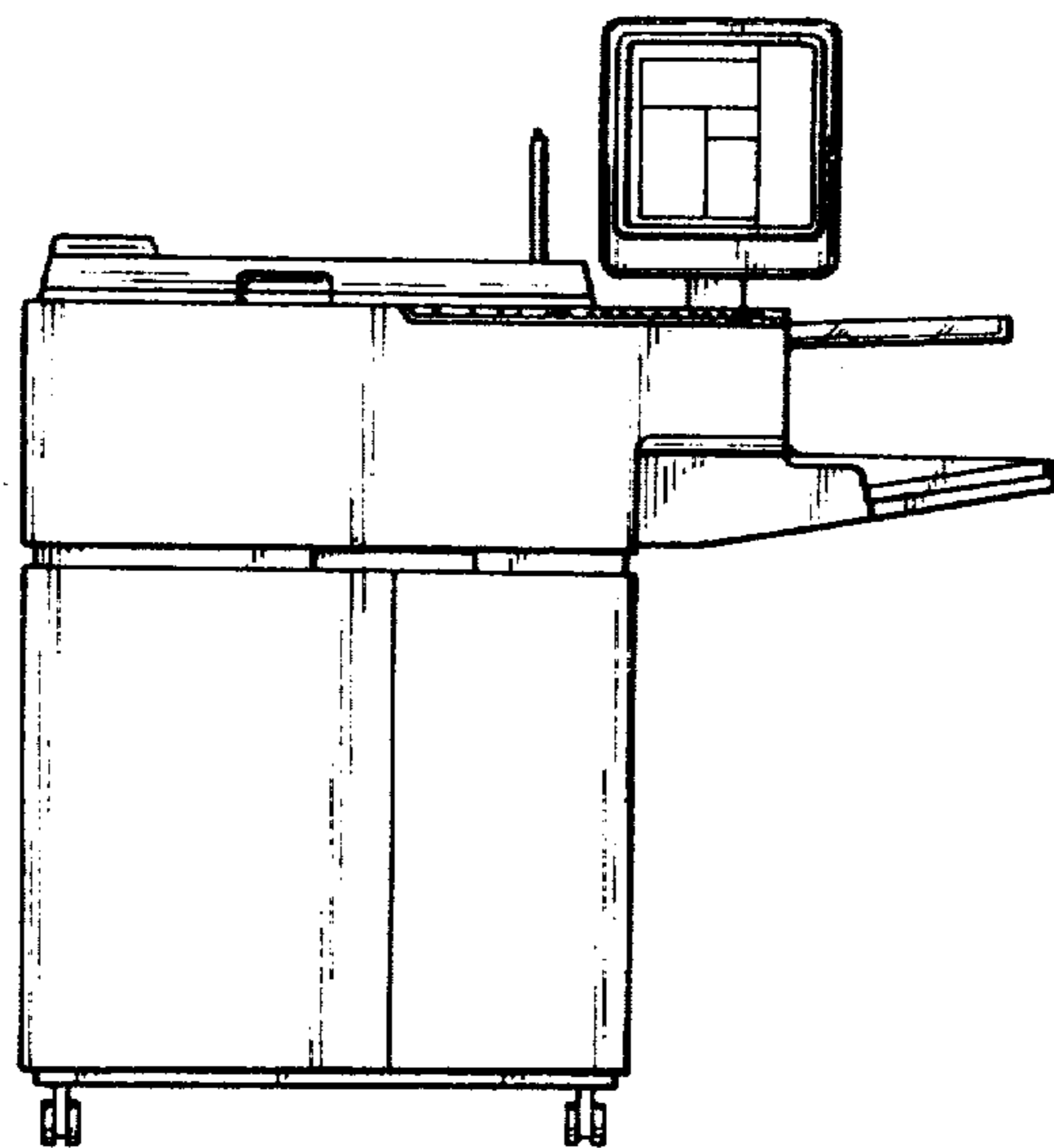


FIG. 3

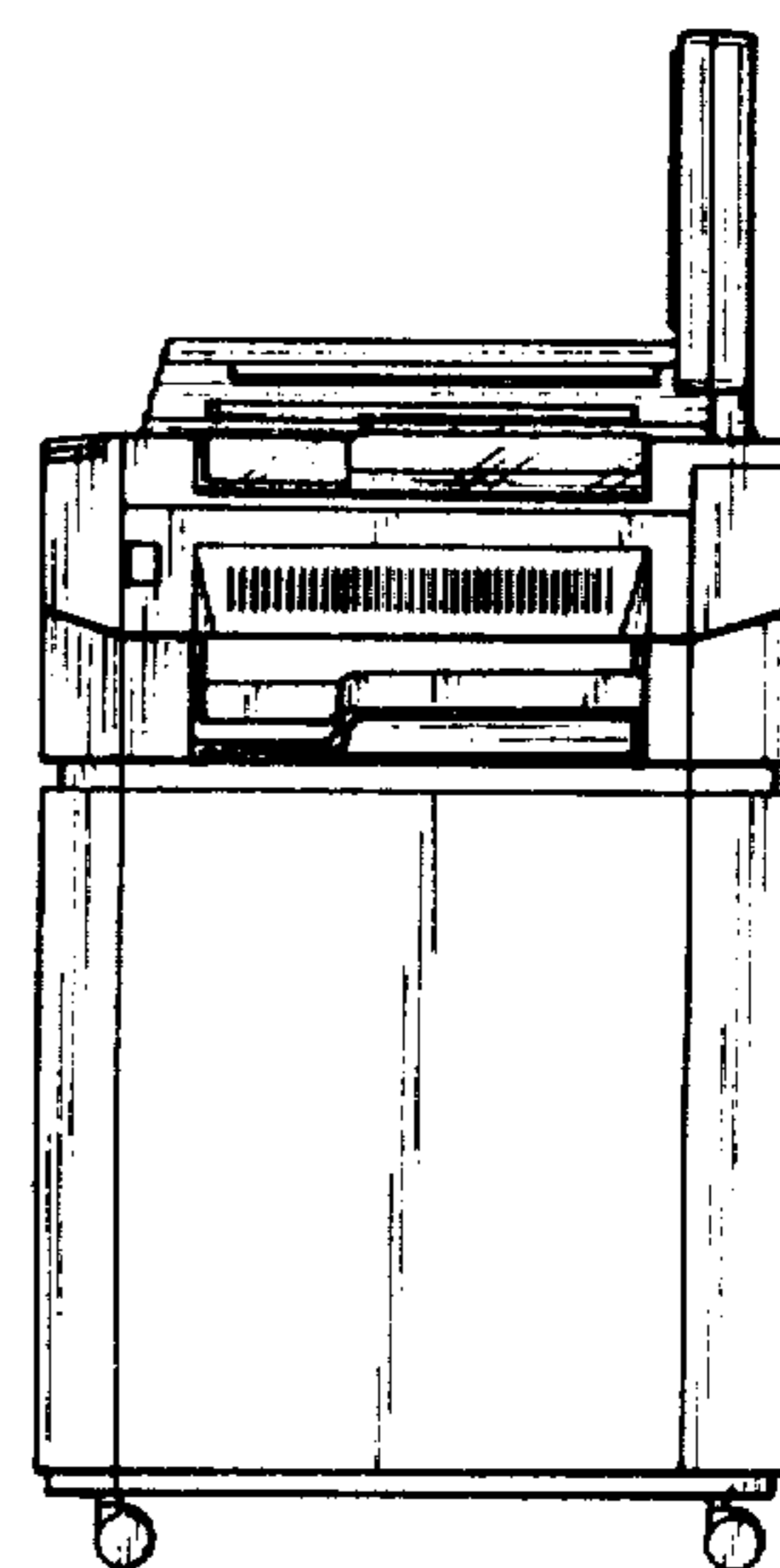


FIG. 4

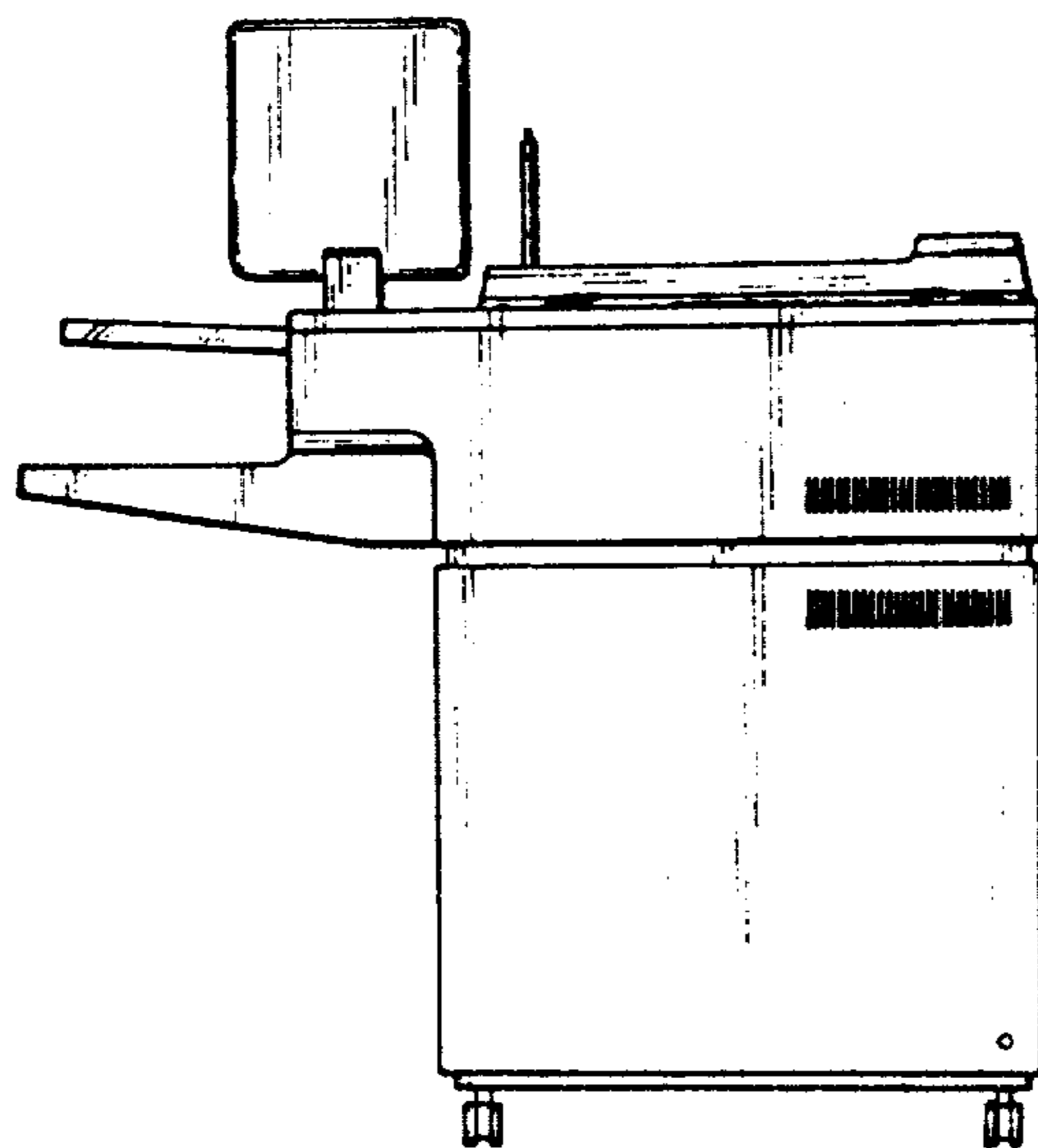


FIG. 5

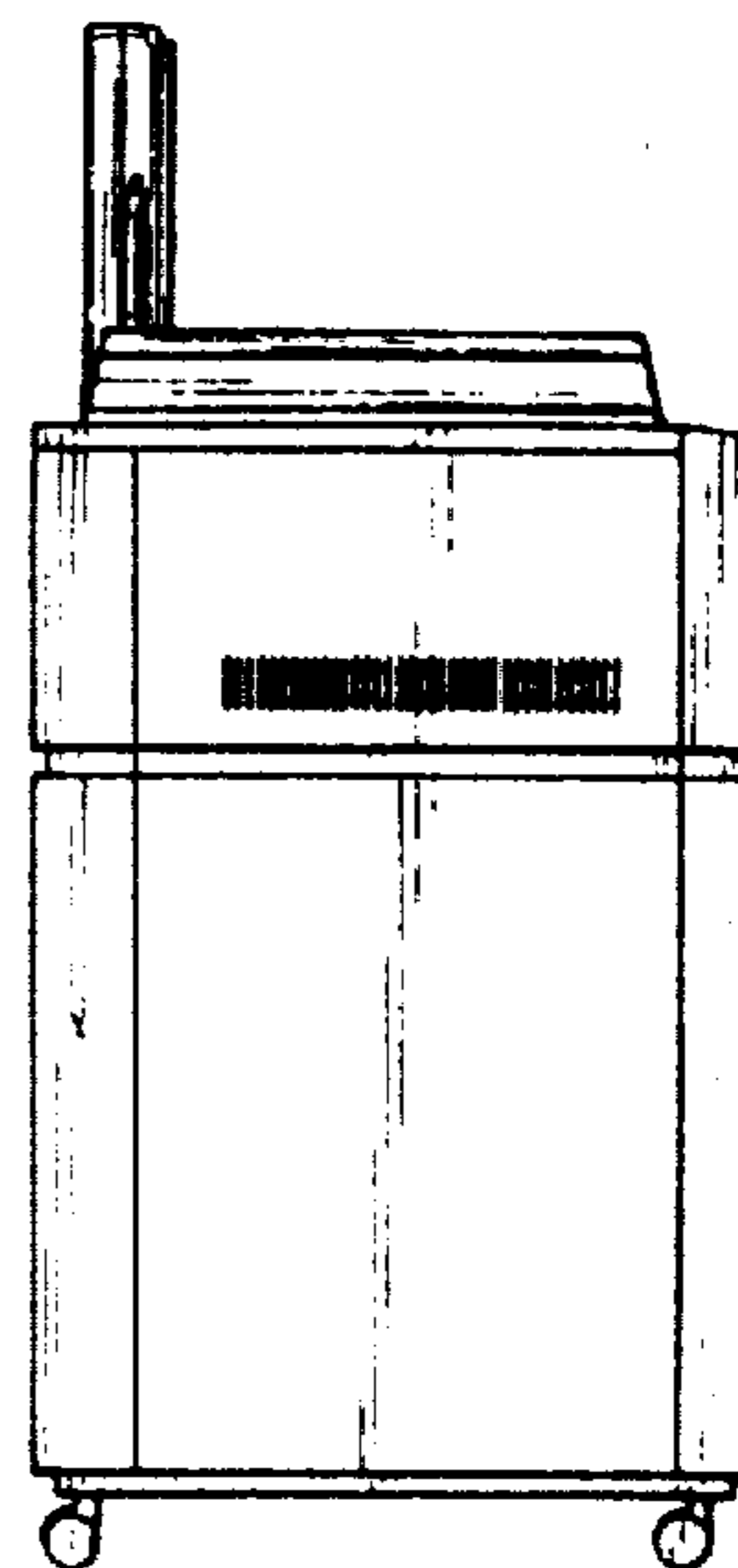


FIG. 6

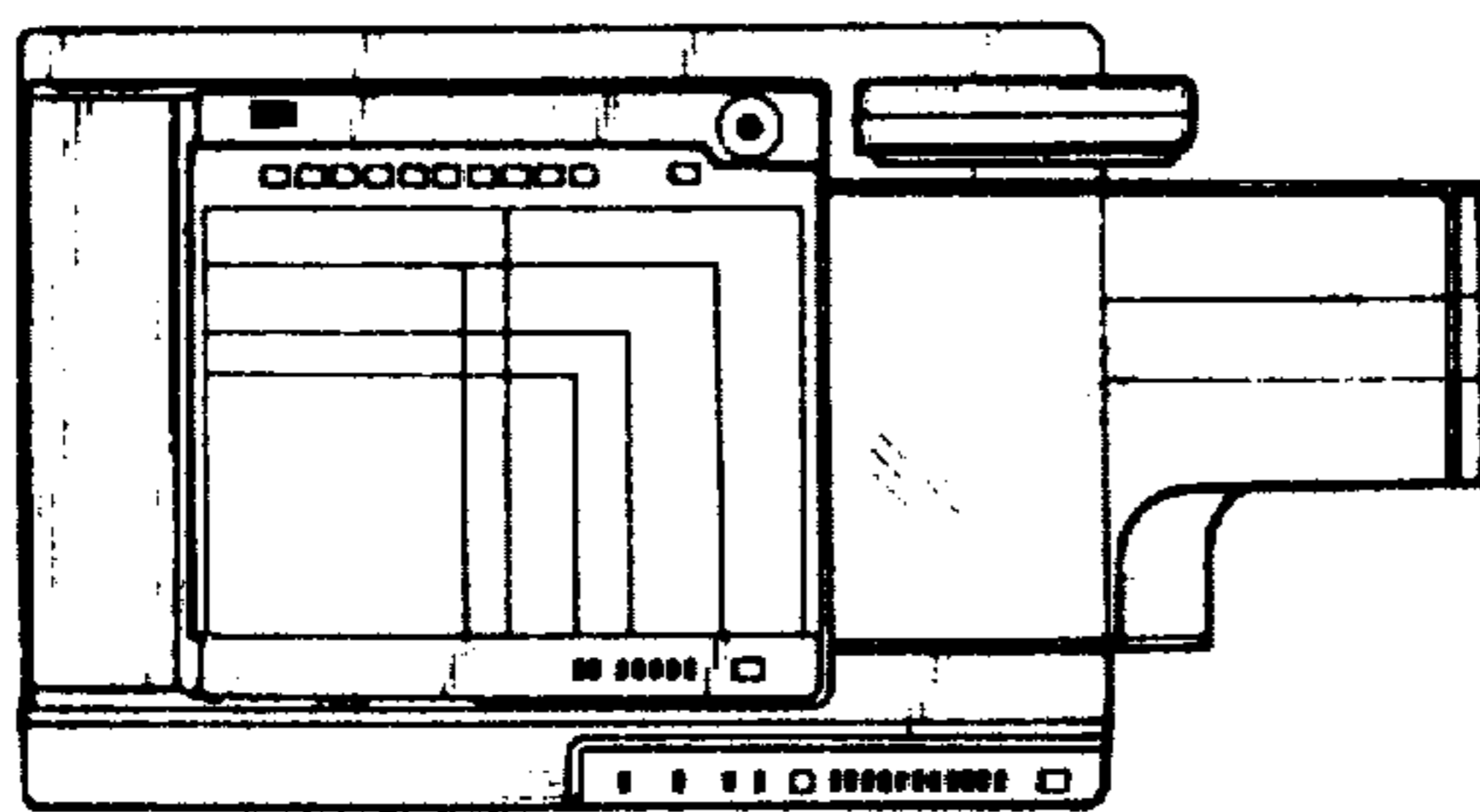


FIG. 7

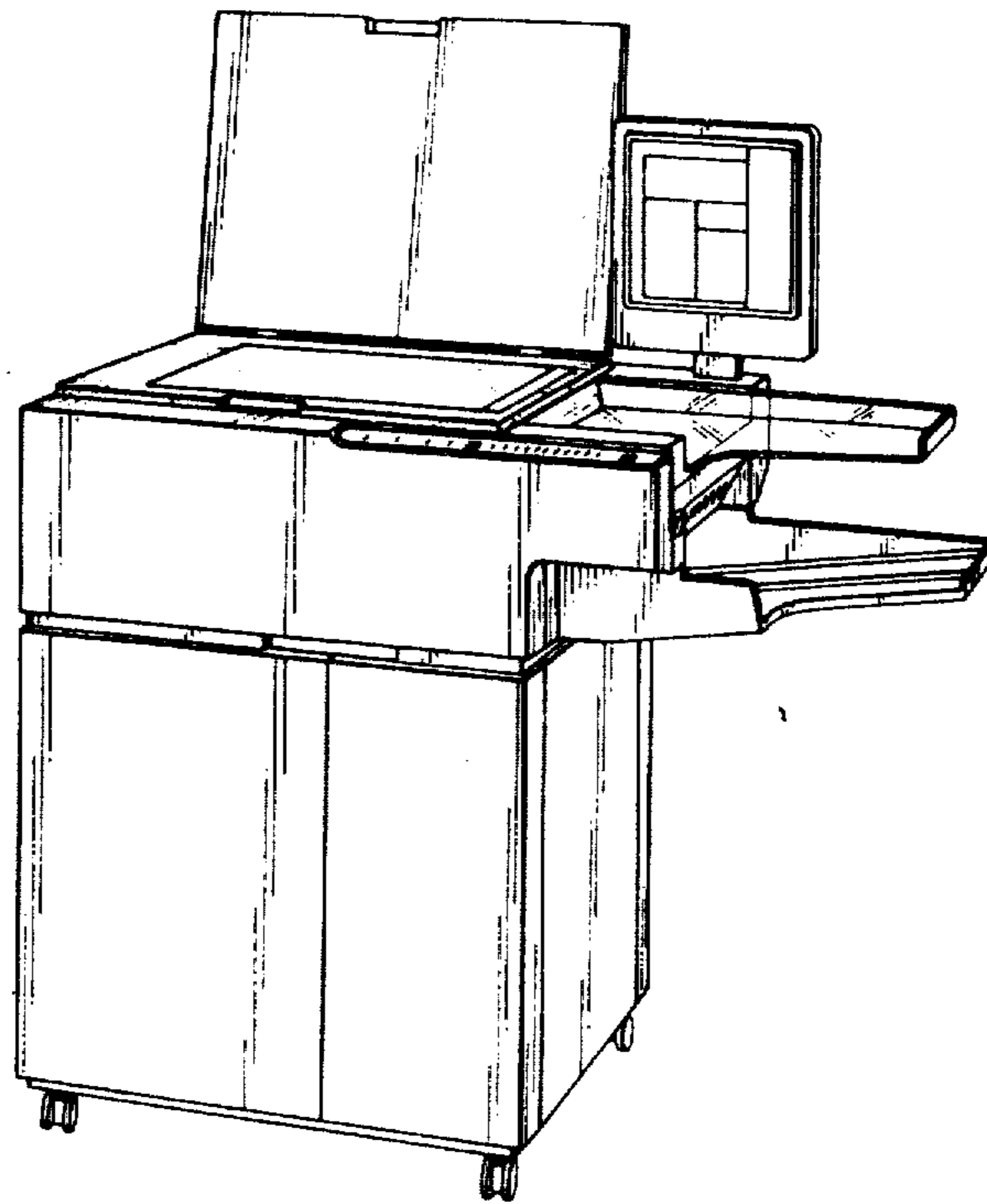


FIG. 8

