

[54] COMBINED ELECTRONIC COPYING MACHINE AND SORTER

4,165,168 8/1979 Baumann 355/3 R

[75] Inventor: Kunio Hara, Chiba, Japan

FOREIGN PATENT DOCUMENTS

[73] Assignee: Tokyo Shibaura Denki Kabushiki Kaisha, Japan

50-531849 12/1975 Japan .
55-540392 7/1980 Japan .

[**] Term: 14 Years

Primary Examiner—Nelson C. Holtje
Attorney, Agent, or Firm—Finnegan, Henderson,
Farabow, Garrett & Dunner

[21] Appl. No.: 272,646

[22] Filed: Jun. 11, 1981

[57] CLAIM

[30] Foreign Application Priority Data

Dec. 16, 1980 [JP] Japan 55-52233

The ornamental design for a combined electronic copying machine and sorter, substantially as shown and described.

[51] Int. Cl. D16-03

DESCRIPTION

[52] U.S. Cl. D16/30

[58] Field of Search D16/27, 30; 355/3 R, 355/5, 8, 9, 11; 271/287-297; D14/114

FIG. 1 is a perspective view of a combined electronic copying machine and sorter showing my new design; FIG. 2 is a front elevational view thereof; FIG. 3 is a right side elevational view thereof; FIG. 4 is a rear elevational view thereof; FIG. 5 is a left side elevational view thereof; FIG. 6 is a top plan view thereof; and FIG. 7 is a front perspective view with the covers in an open position.

[56] References Cited

U.S. PATENT DOCUMENTS

- D. 261,147 10/1981 Lawrence D16/32
- D. 261,148 10/1981 Lawrence D16/32
- 3,868,019 2/1975 Stemmler D16/30 X

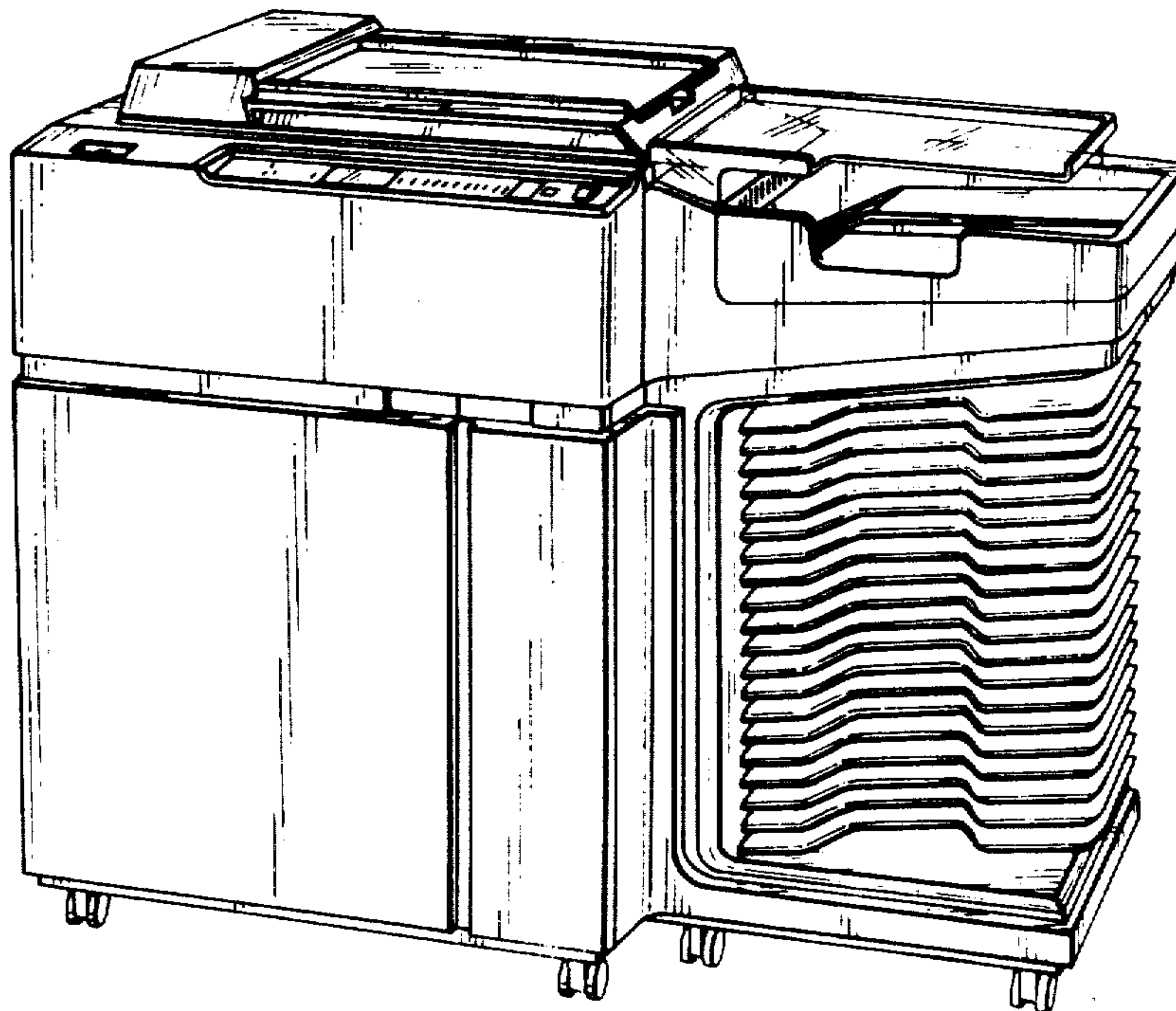


FIG. 1

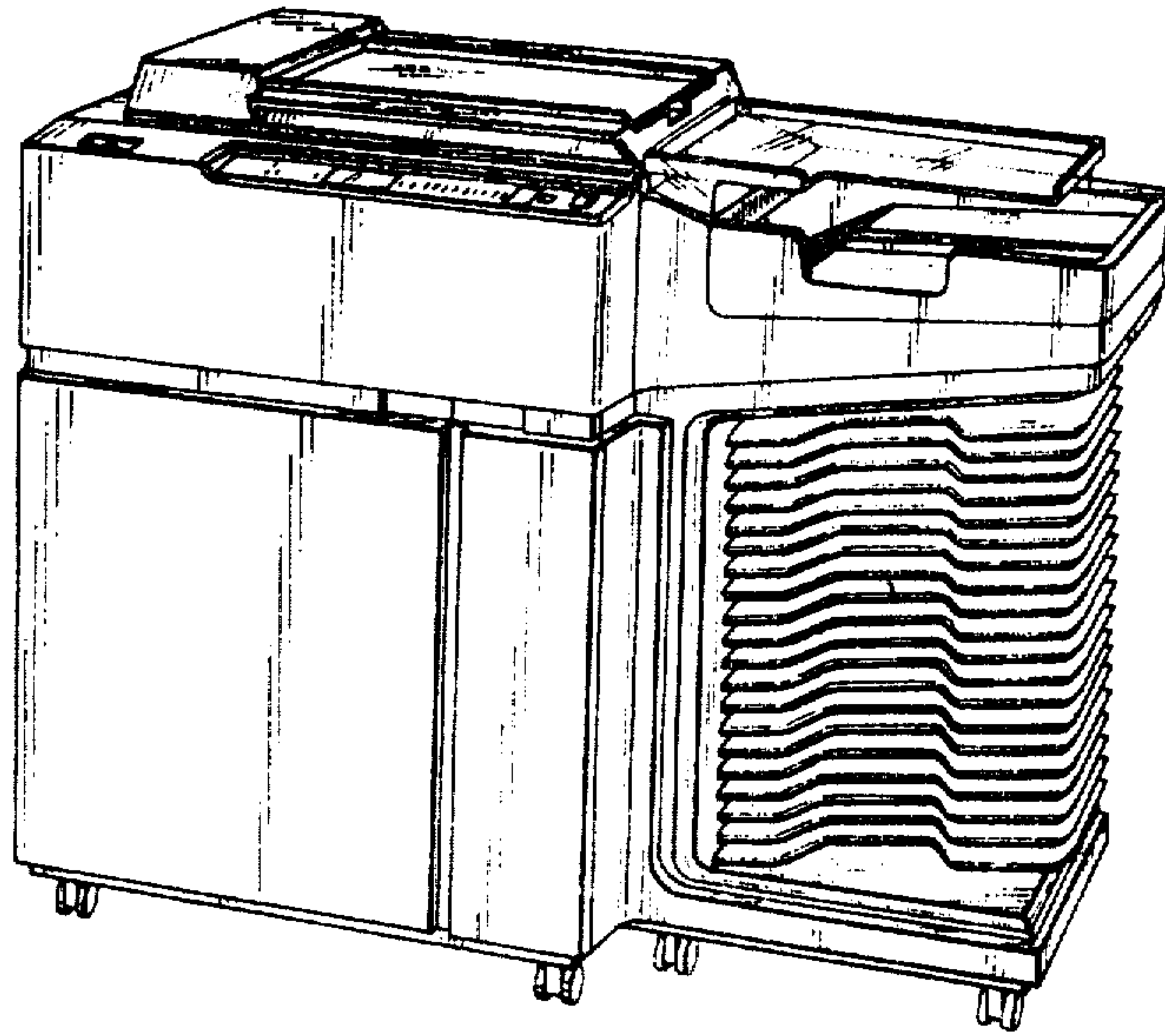


FIG. 2

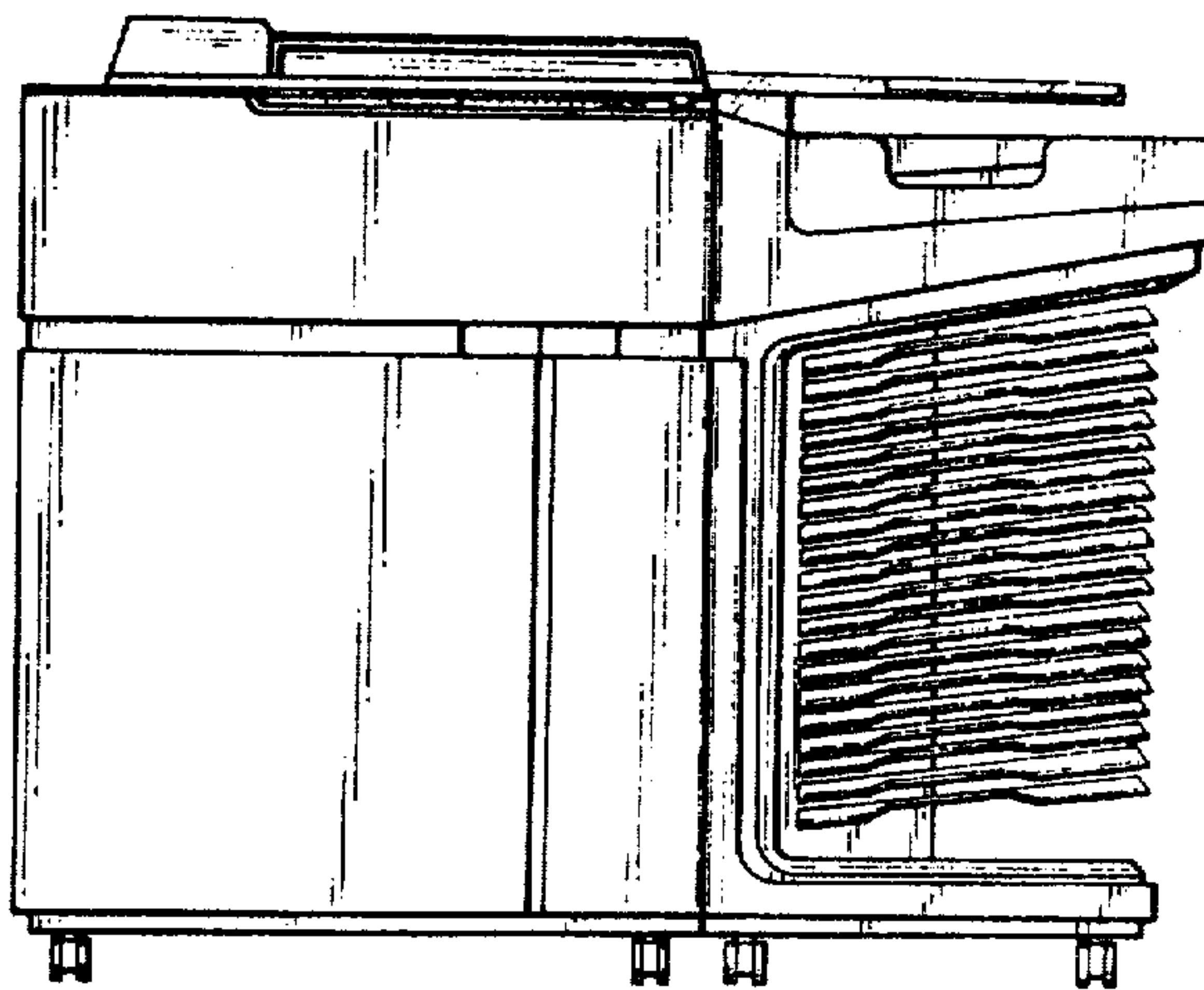


FIG. 3

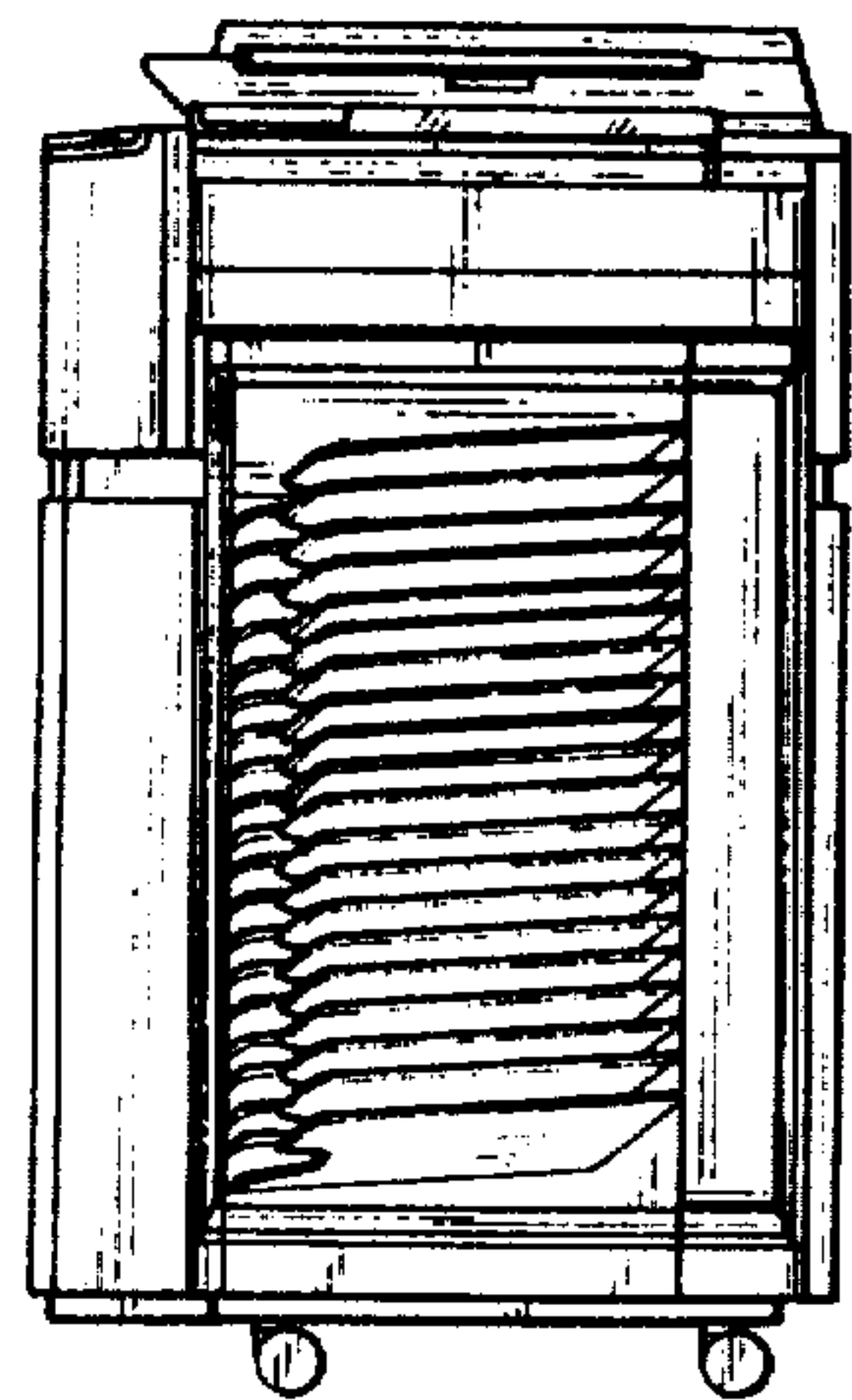


FIG. 4

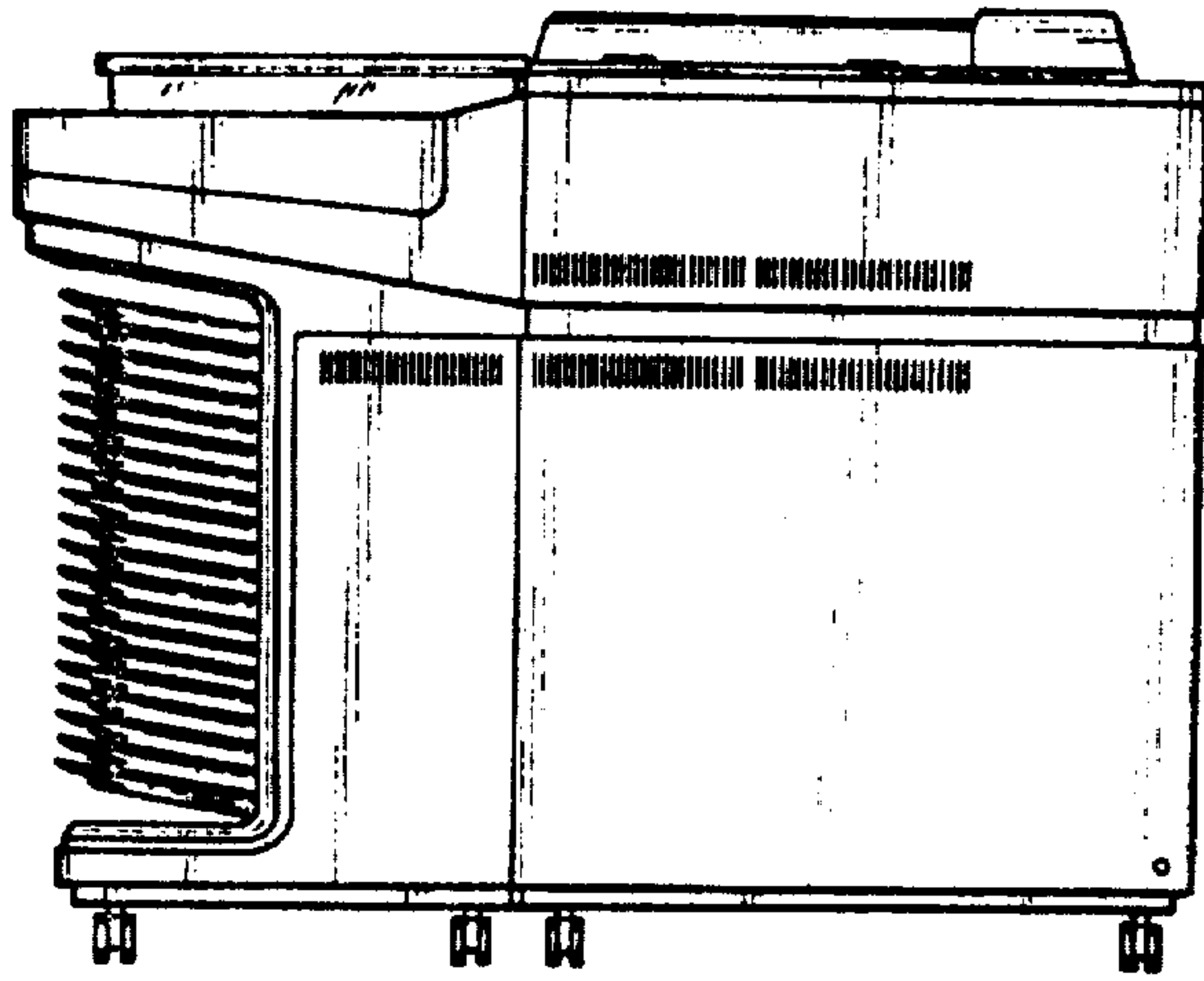


FIG. 5

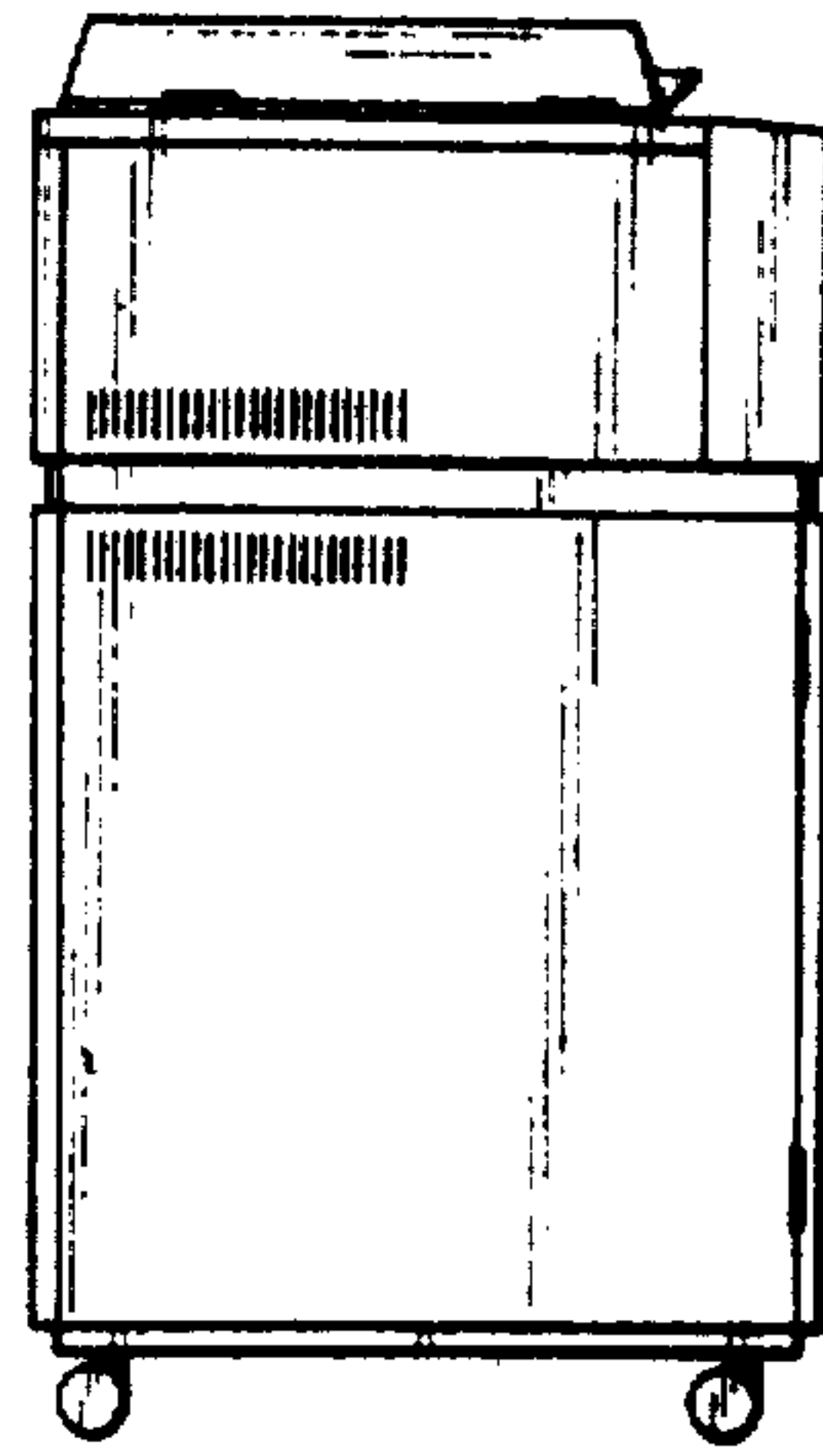


FIG. 6

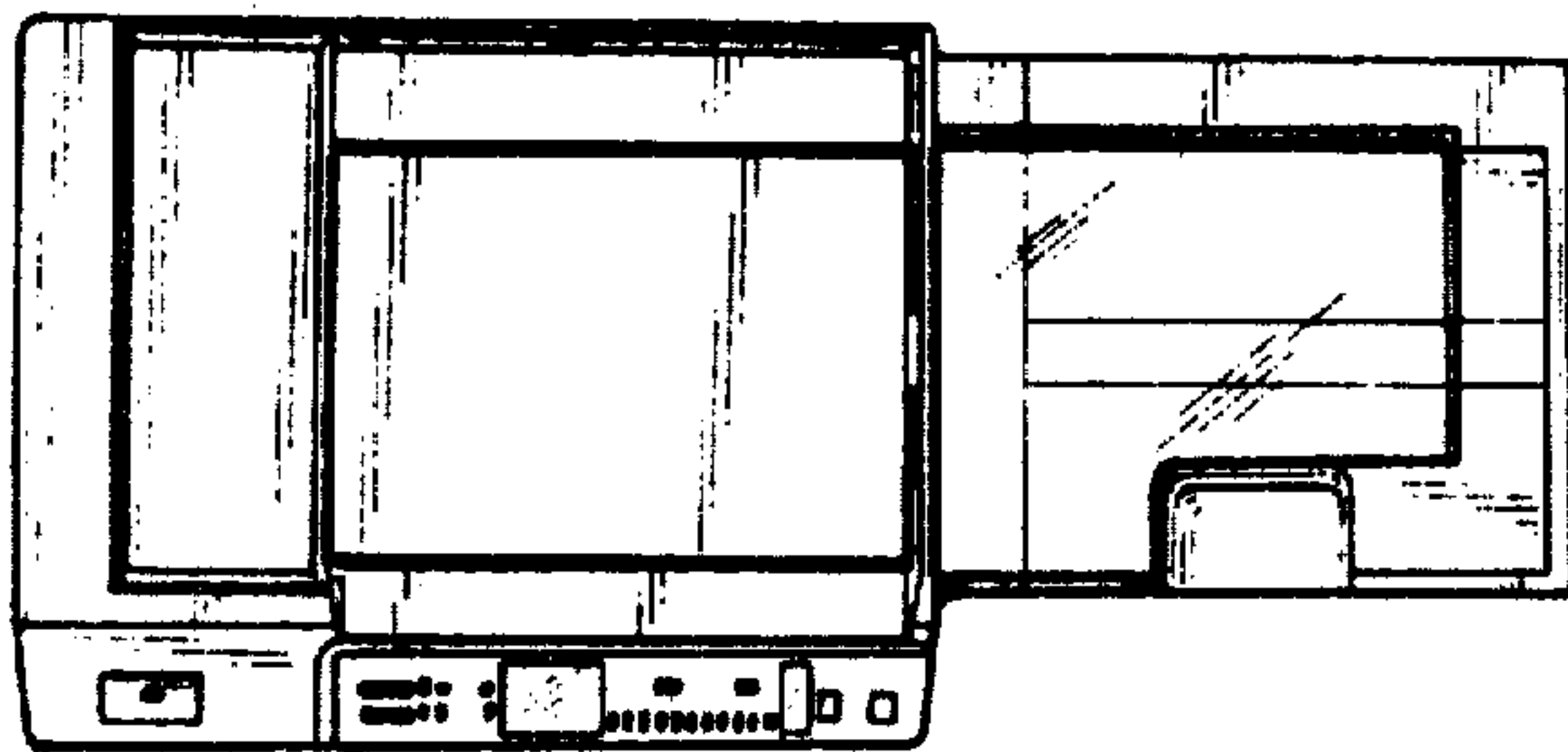


FIG. 7

