

[54] SEWING MACHINE

[75] Inventor: Yoshio Katsuzaki, Chita, Japan

[73] Assignee: Brother Kogyo Kabushiki Kaisha, Nagoya, Japan

[\*\*] Term: 14 Years

[21] Appl. No.: 242,573

[22] Filed: Mar. 11, 1981

[30] Foreign Application Priority Data

Nov. 19, 1980 [JP] Japan ..... 55-48418

[51] Int. Cl. .... D15-06

[52] U.S. Cl. .... D15/70

[58] Field of Search ..... D15/66, 69, 70, 71, D15/72, 73, 74, 75, 76; 112/258, 259, 260, 275, 277, 217.4

[56] References Cited

U.S. PATENT DOCUMENTS

D. 249,947 10/1978 Gegauf ..... D15/70 X

D. 256,365 8/1980 Fresard ..... D15/76 X

3,570,431 3/1971 Fresard ..... 112/258

3,858,954 1/1975 Hetterich ..... 112/258 X

4,036,158 7/1977 Fresard et al. .... 112/258

4,058,072 11/1977 Ishikawa et al. .... 112/258

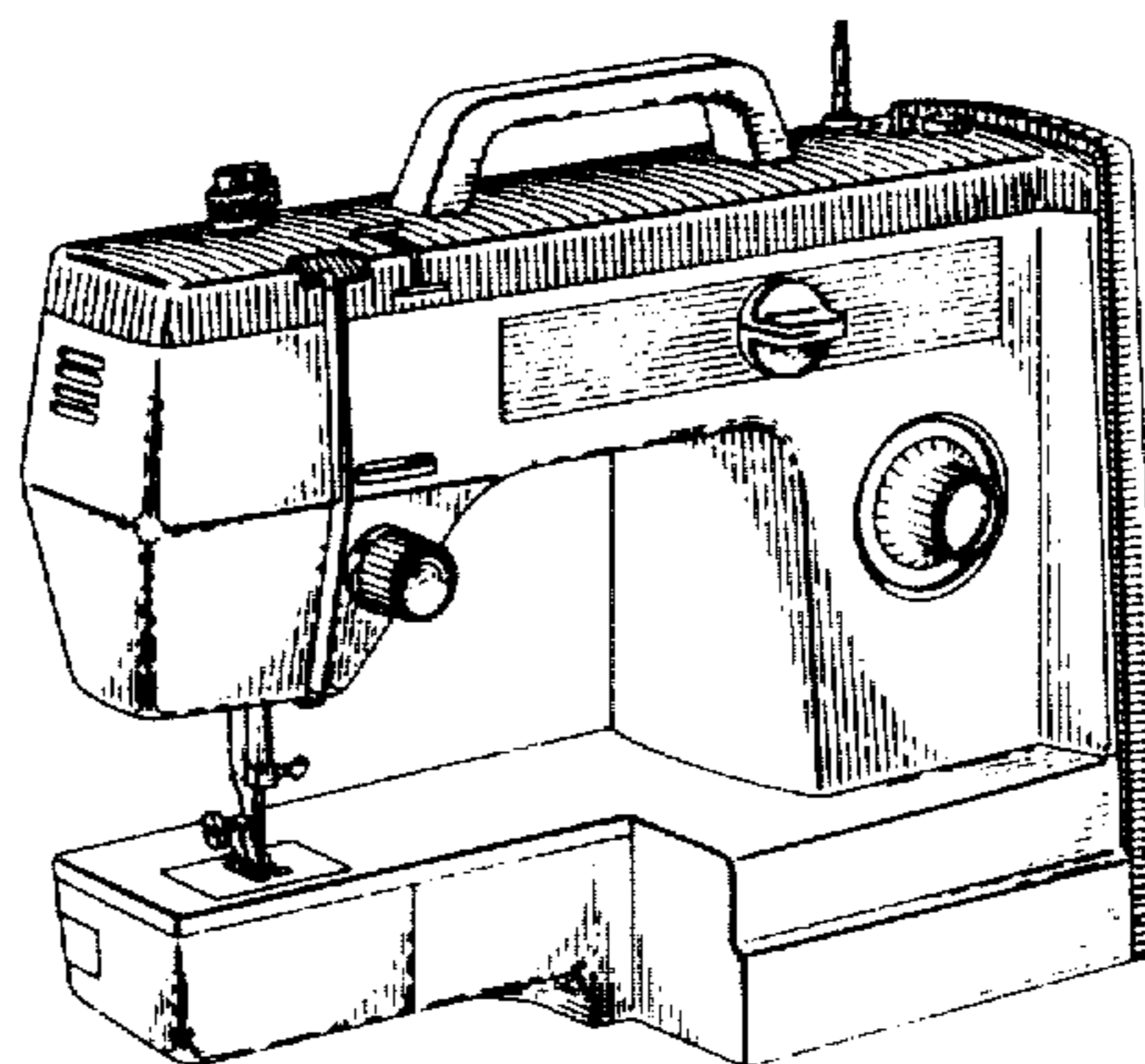
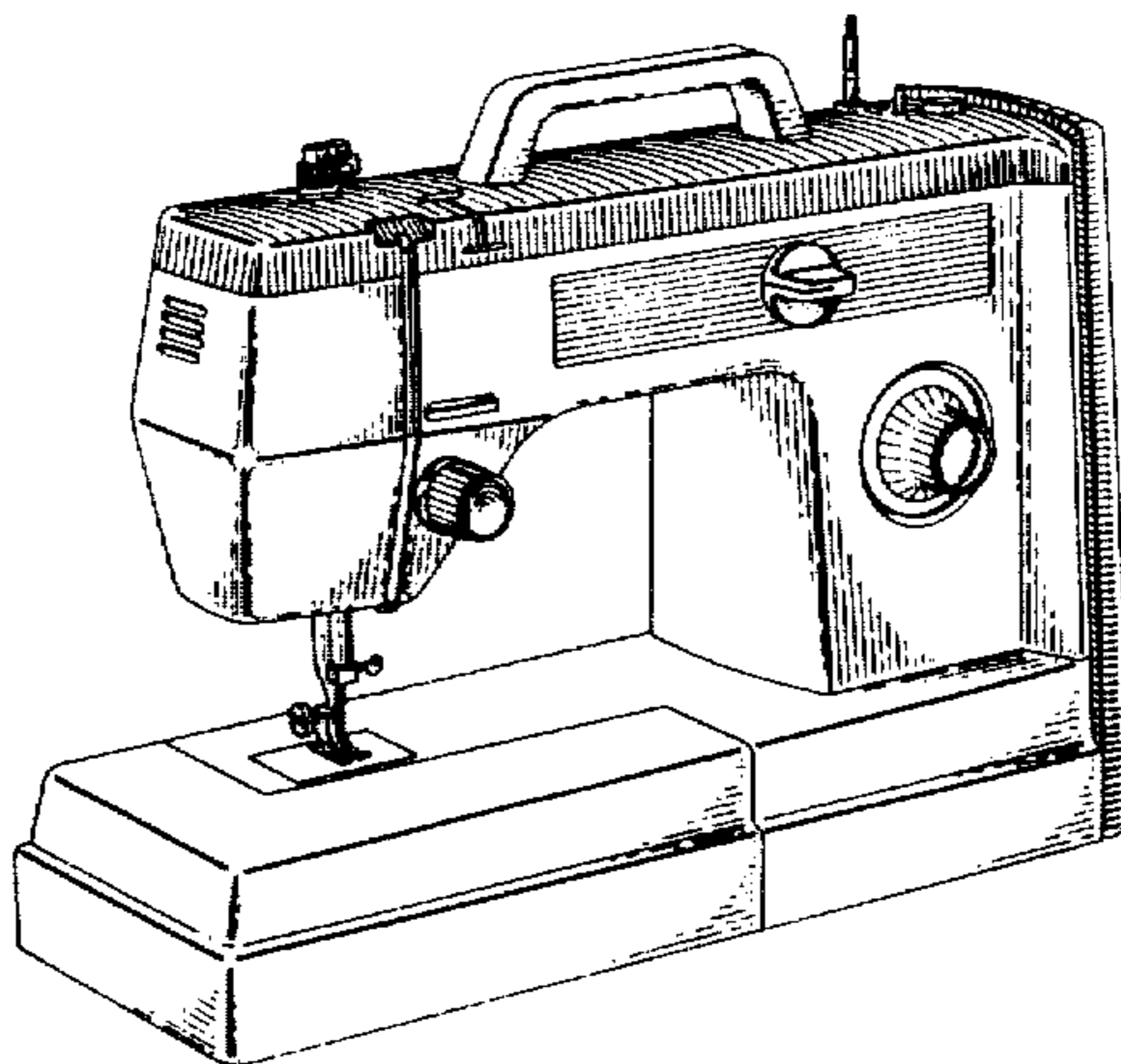
Primary Examiner—Joel Stearman  
Assistant Examiner—Carmen H. Vales  
Attorney, Agent, or Firm—Moonray Kojima

[57] CLAIM

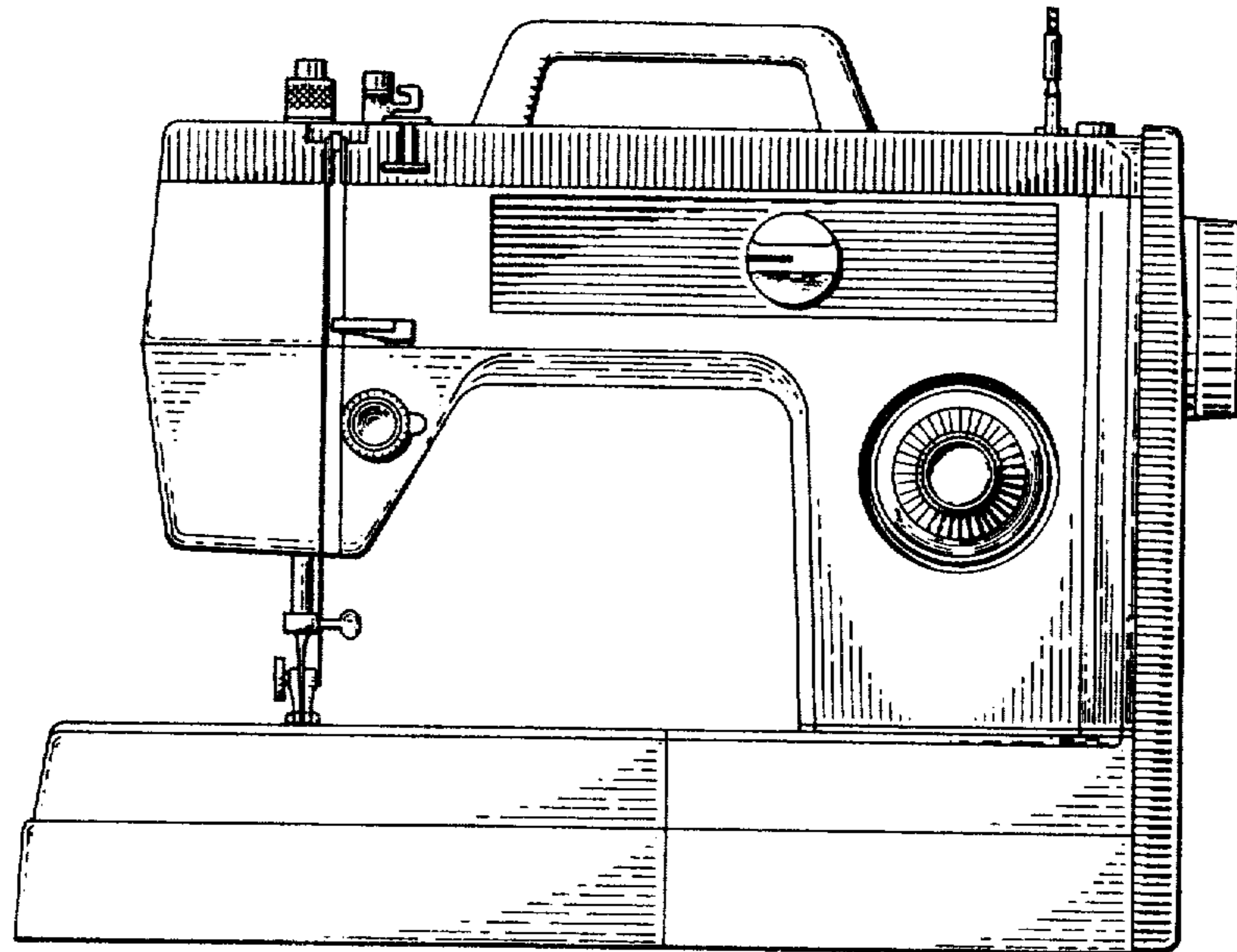
The ornamental design for a sewing machine, as shown and described.

DESCRIPTION

FIG. 1 is a front elevational view of a sewing machine, showing my new design;  
FIG. 2 is a rear elevational view thereof;  
FIG. 3 is a left end elevational view thereof;  
FIG. 4 is a right end elevational view thereof;  
FIG. 5 is a top plan view thereof;  
FIG. 6 is a bottom plan view thereof;  
FIG. 7 is a front, top and left side perspective view thereof; and  
FIG. 8 is a front, top and left side perspective view with the work bed removed for convenience of illustration. The shading on the top and right end surfaces of the sewing machine indicates contrasting colors.



# Fig. 1



# Fig. 2

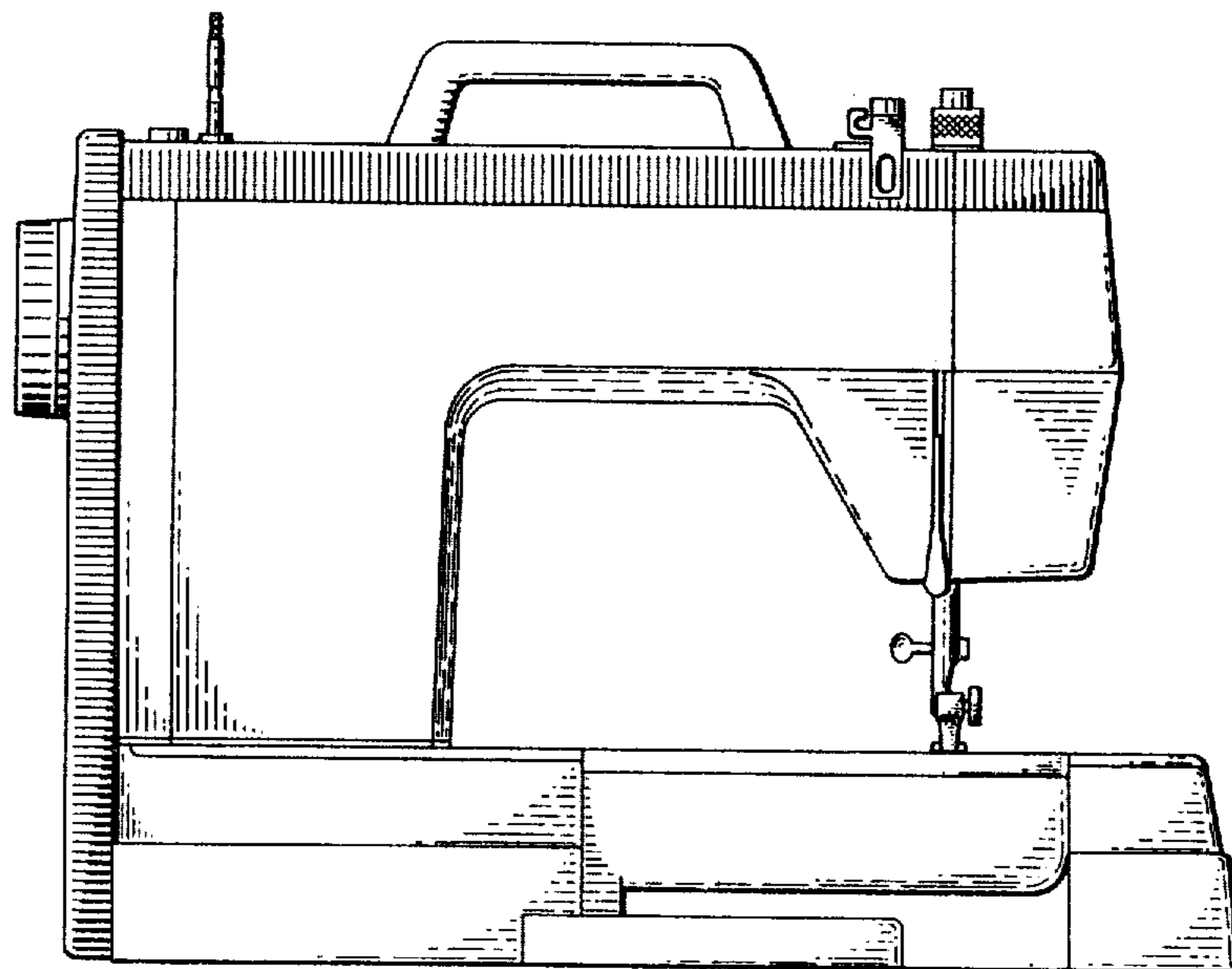


Fig. 3

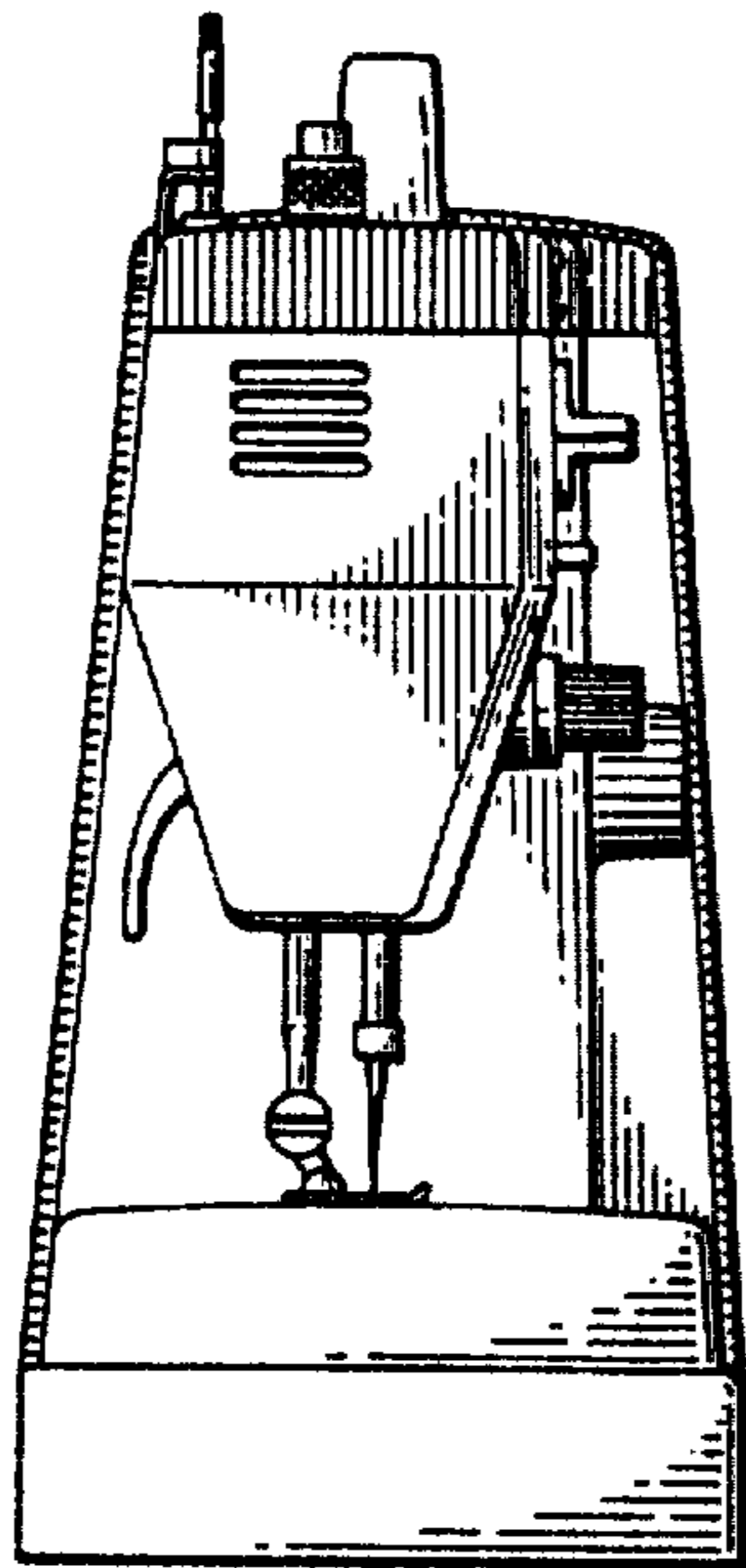


Fig. 4

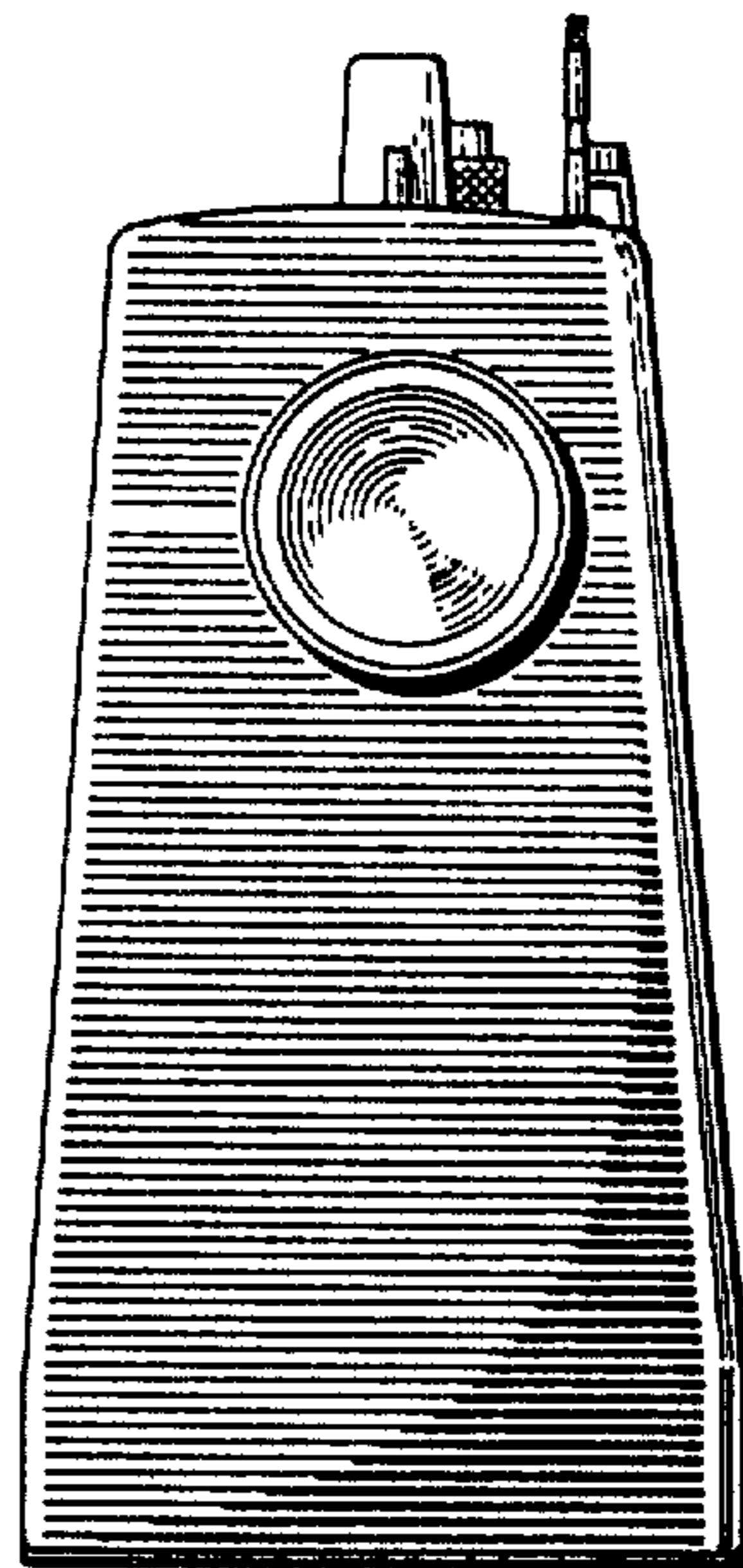


Fig. 5

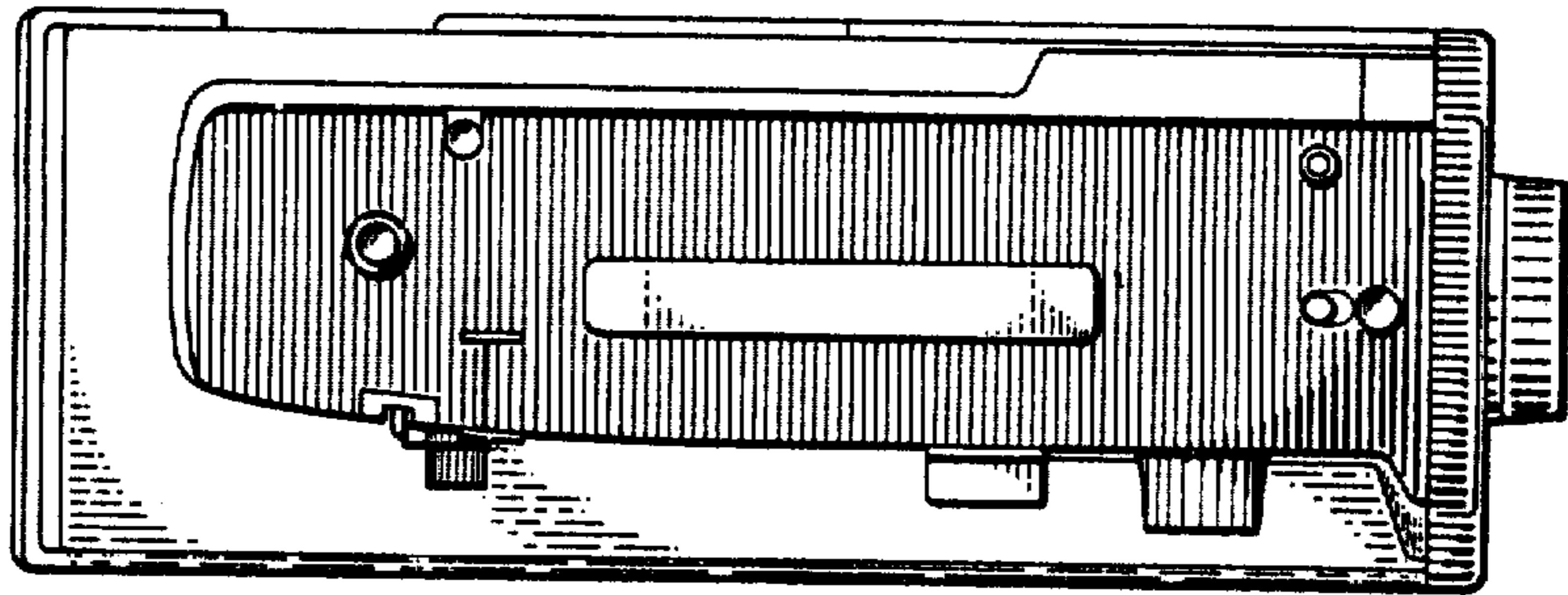


Fig. 6

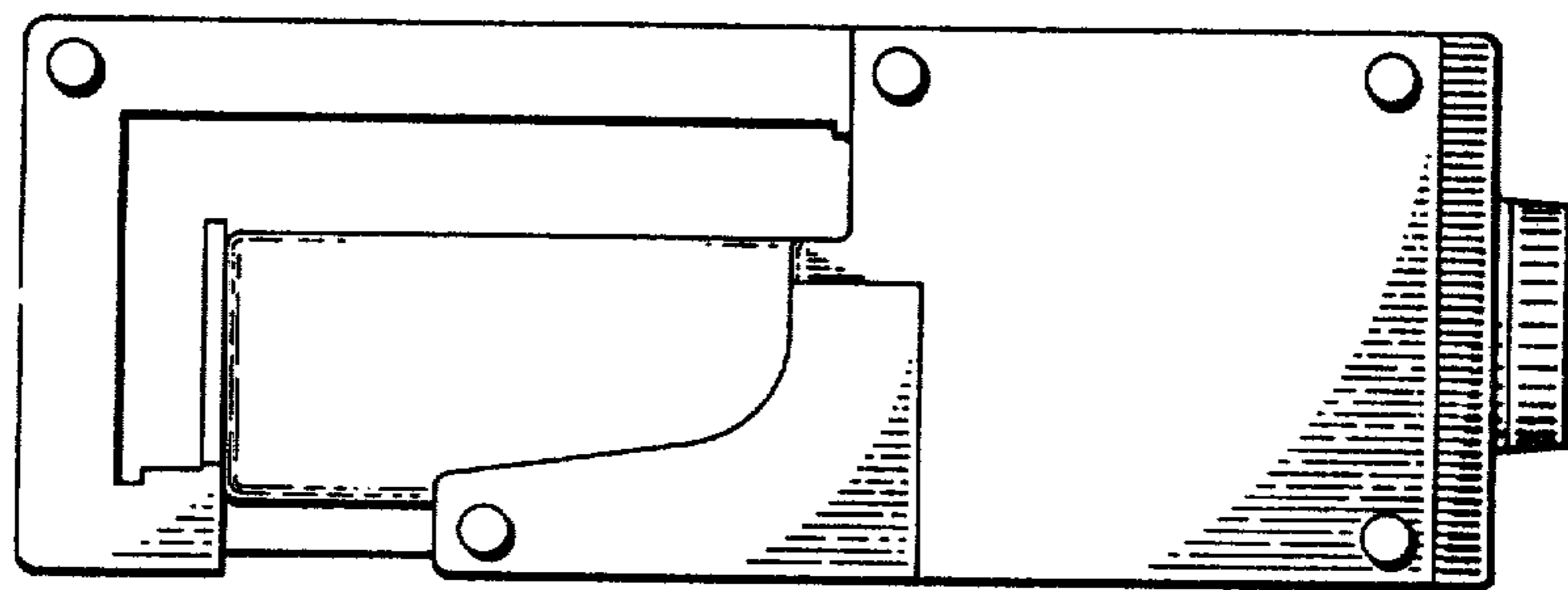


Fig. 7

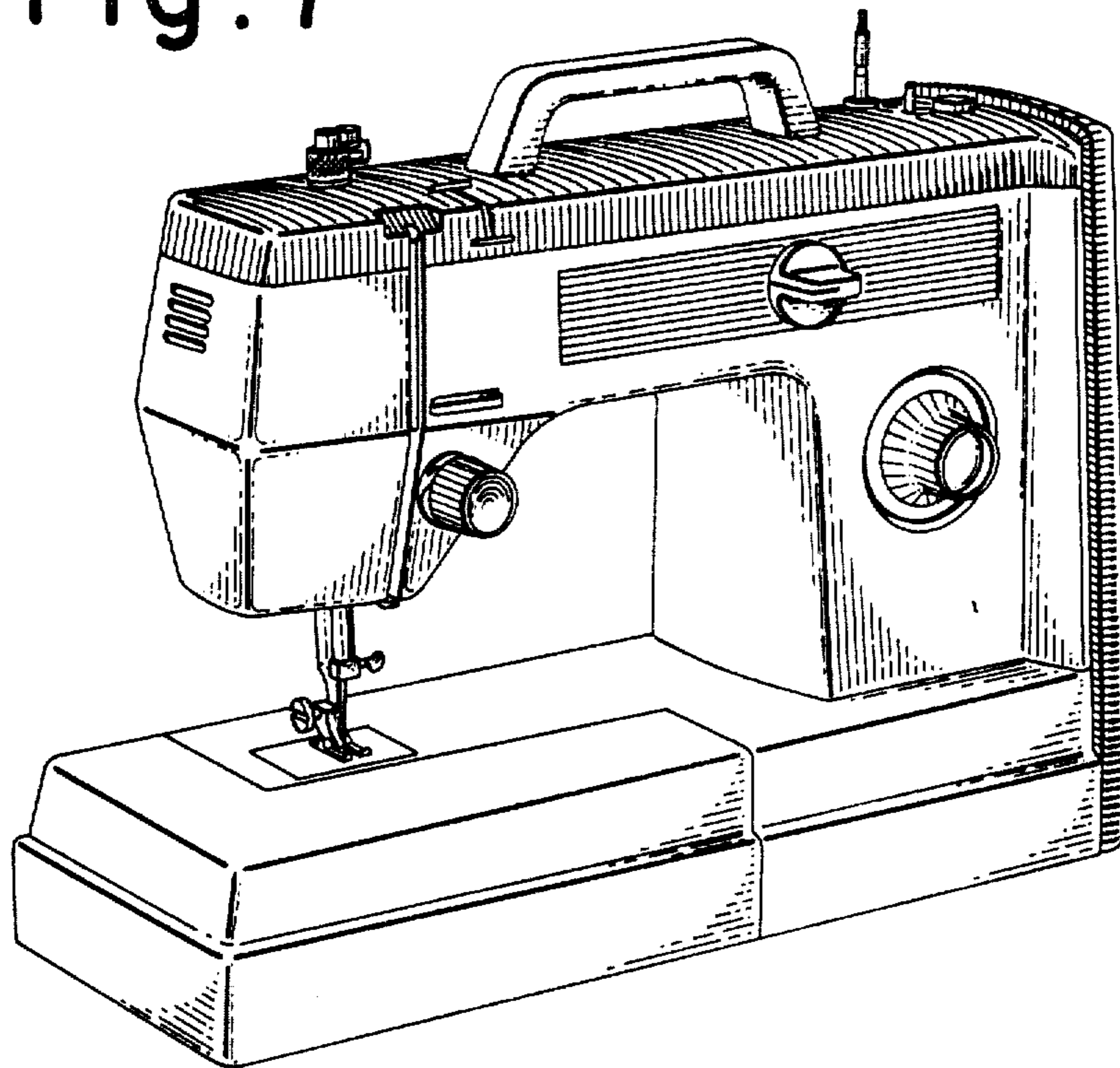


Fig. 8

