

[54] LOUDSPEAKER BASKET

[75] Inventor: William Piercy, Wilcox, Ariz.

[73] Assignee: Tru-Die, Inc., Franklin Park, Ill.

[**] Term: 14 Years

[21] Appl. No.: 262,438

[22] Filed: May 11, 1981

[51] Int. Cl. D14-01

[52] U.S. Cl. D14/37; D14/30; D14/34

[58] Field of Search D14/1, 30, 34, 37, 39, D14/35; 179/115, 5 R, 117, 119 R, 179; 181/171

[56] References Cited

U.S. PATENT DOCUMENTS

- D. 250,586 12/1978 Nussdorfer et al. D14/30
- D. 266,420 10/1982 Warner D14/37

- 2,532,414 12/1950 Levy 181/171 X
- 2,638,509 5/1953 Charlesworth 181/171 X
- 3,356,796 12/1967 Wray 179/179 X

Primary Examiner—Jane E. Corrigan
Attorney, Agent, or Firm—Thomas P. Dowd

[57] CLAIM

The ornamental design for loudspeaker basket, as shown and described.

DESCRIPTION

FIG. 1 is a front perspective view of a loudspeaker basket showing my new design;
 FIG. 2 is a front elevational view thereof;
 FIG. 3 is a plan view thereof;
 FIG. 4 is a rear elevational view thereof;
 FIG. 5 is a sectional view thereof taken along the line 5—5 of FIG. 1; and
 FIG. 6 is a view like FIG. 5 of a modified form of a loudspeaker basket showing my new design, wherein the surface which includes six cut-outs is inclined.

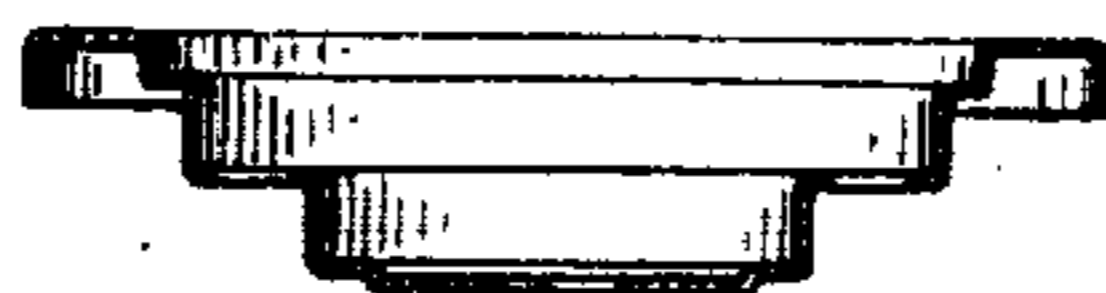
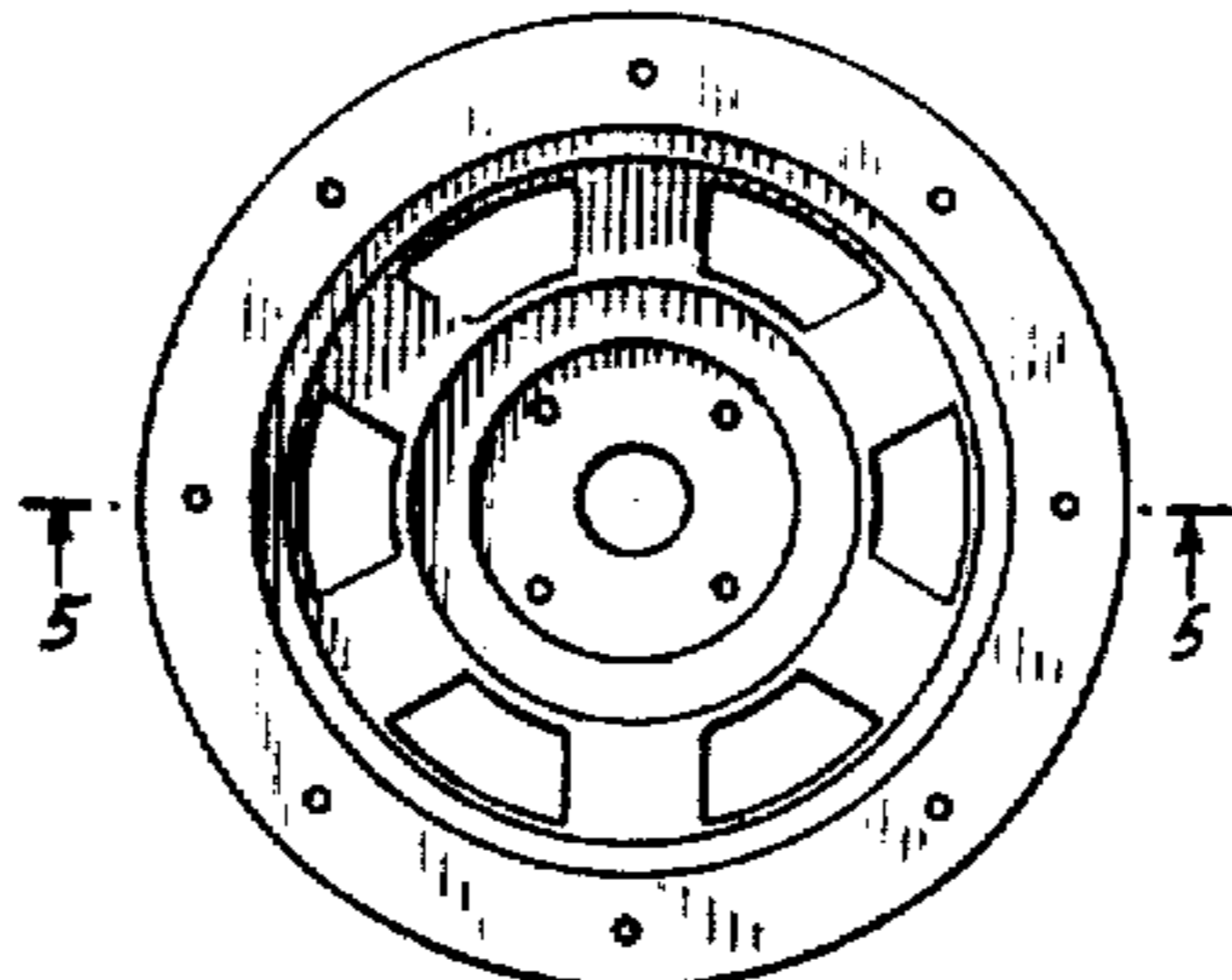


Fig. 2.

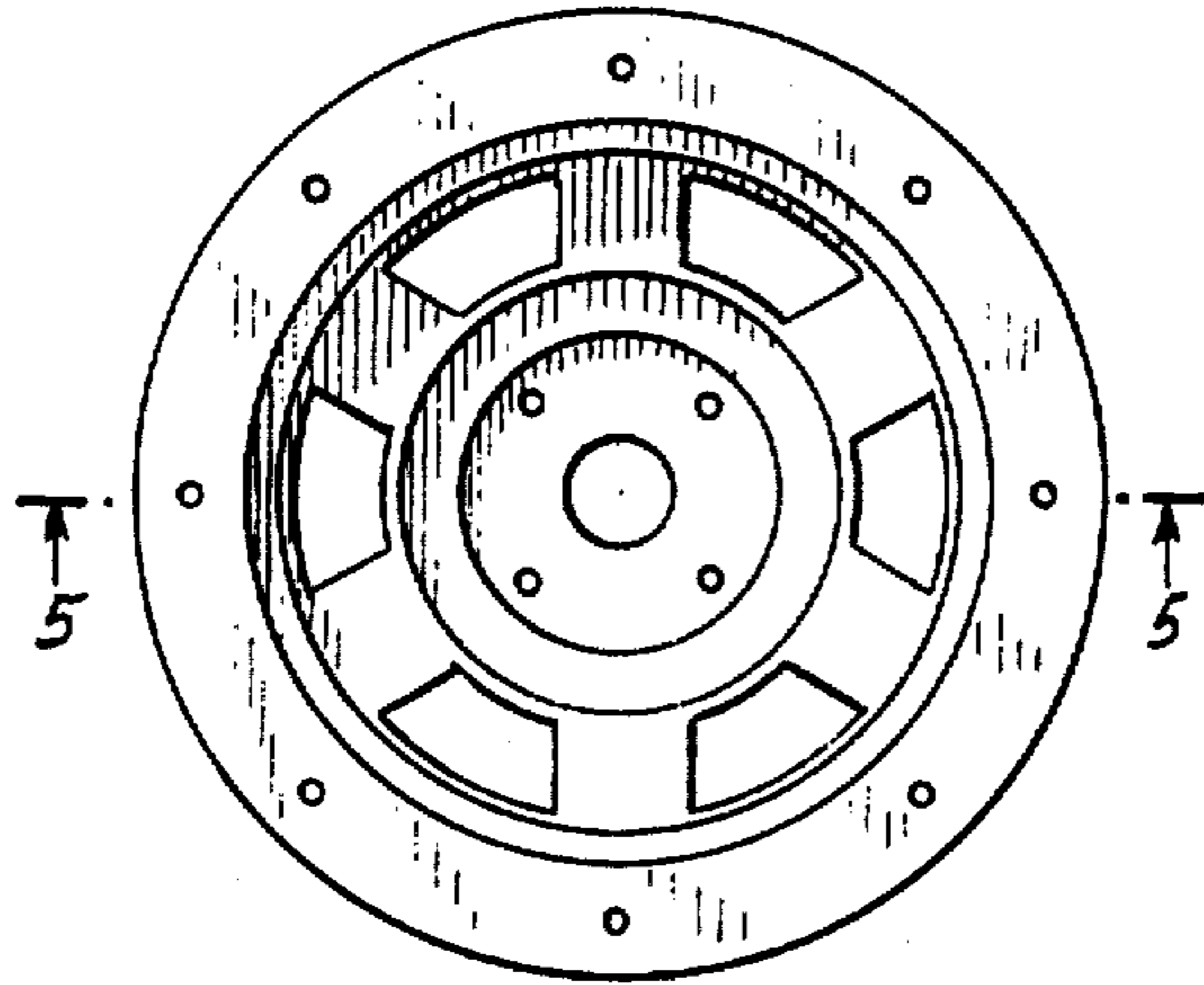


Fig. 1.

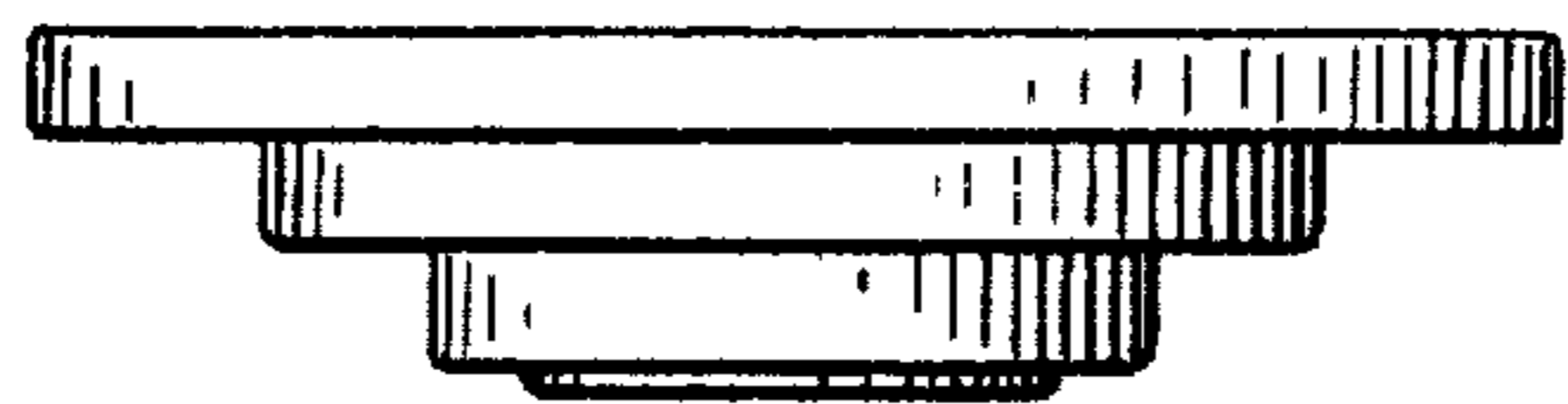
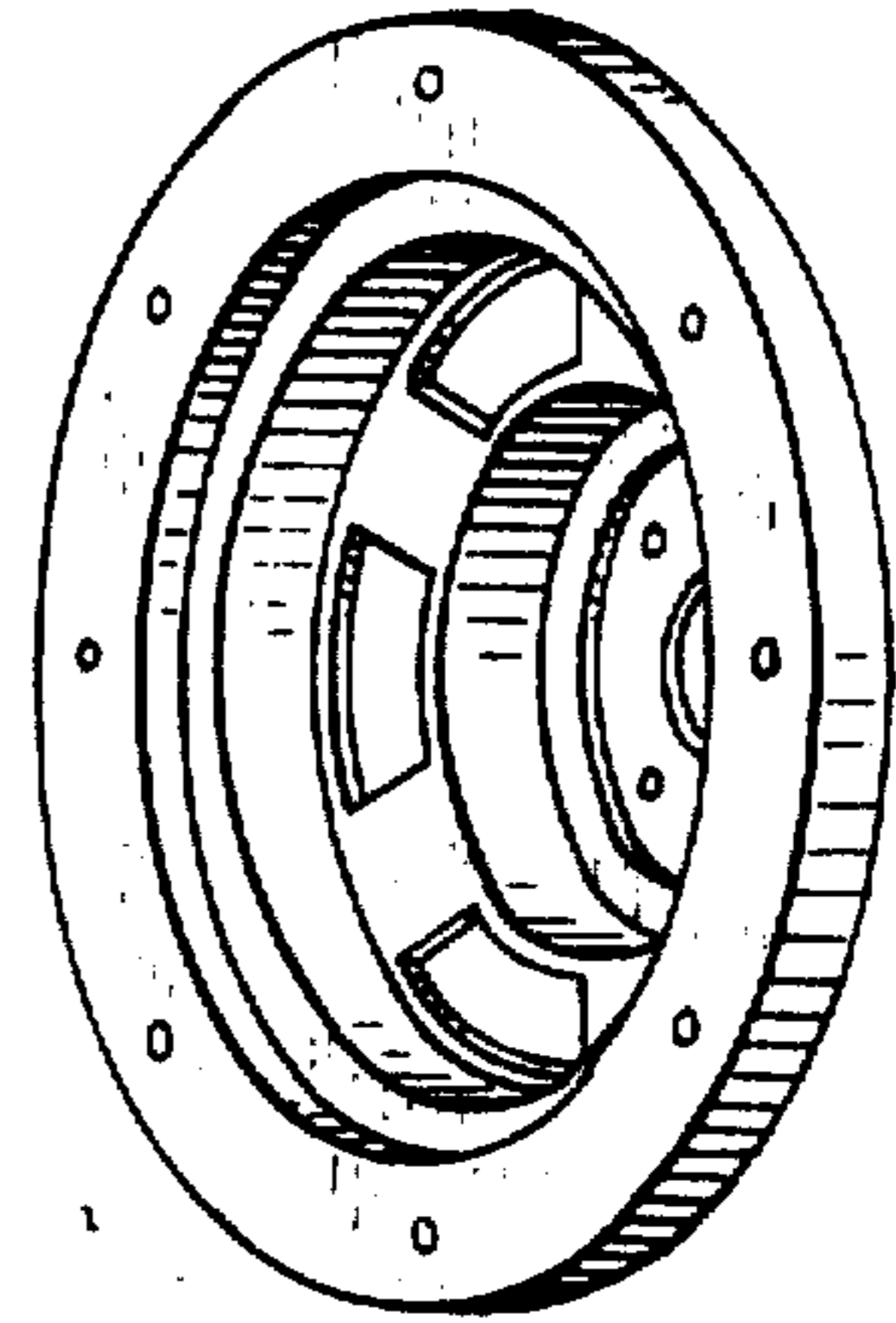


Fig. 3.

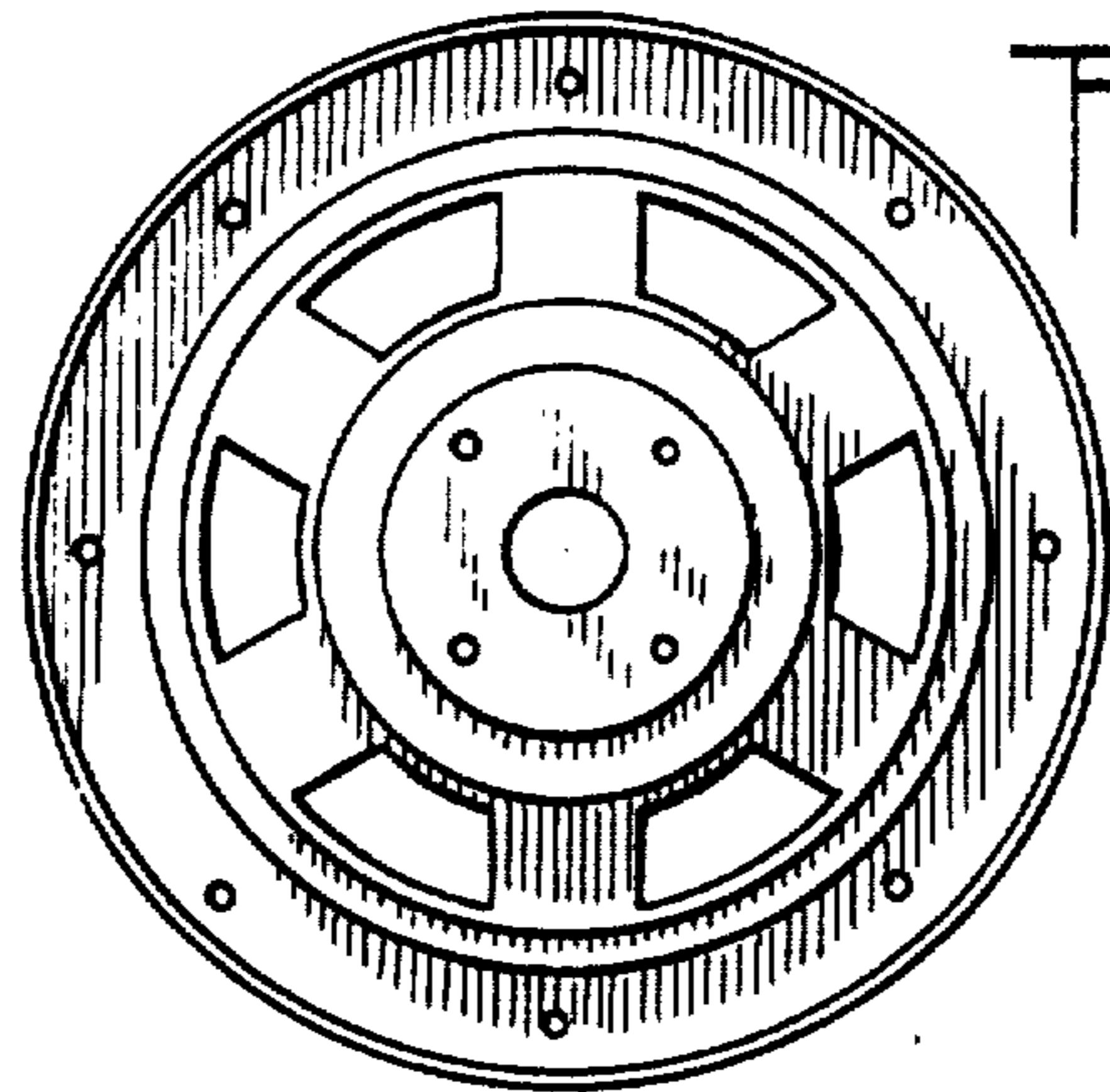


Fig. 4.

Fig. 6.

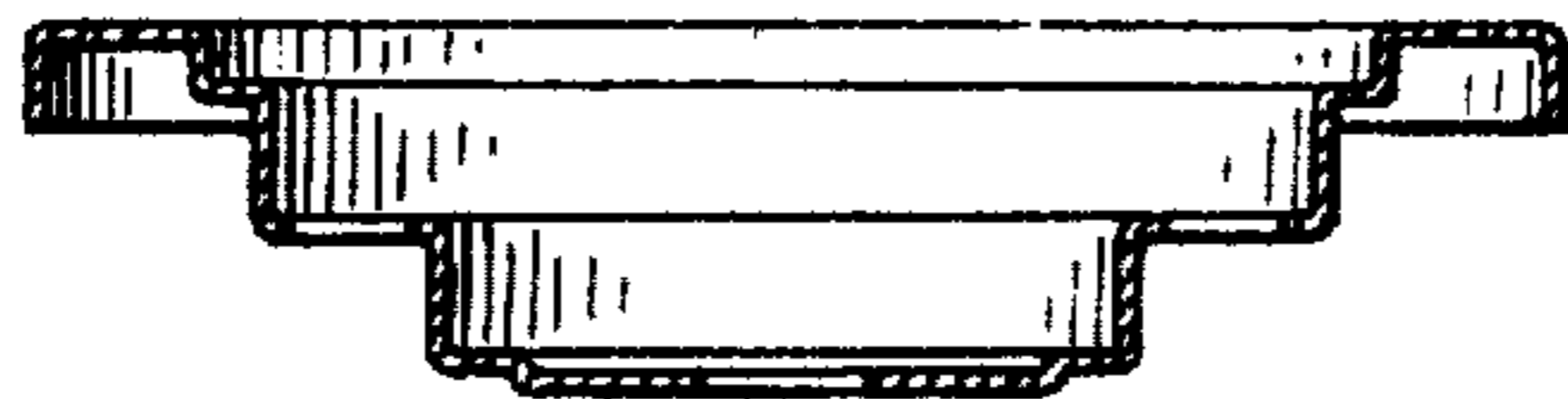
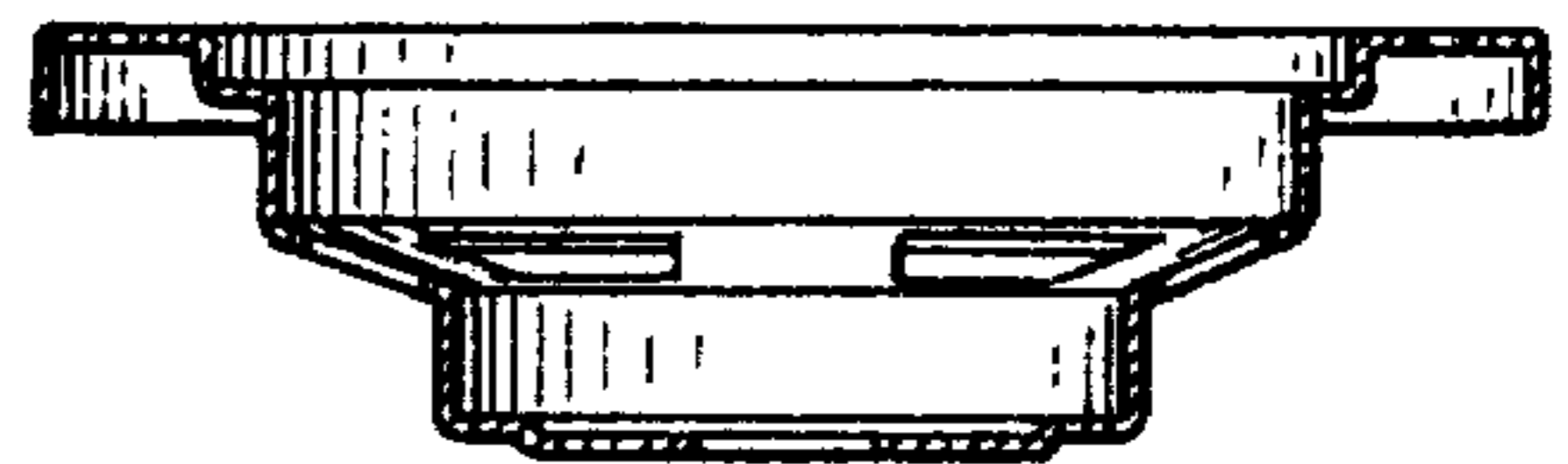


Fig. 5.