

[54] SPEAKER CABINET

[76] Inventor: Lee A. Weinstein, 6333 Calvert St., Philadelphia, Pa. 19149

[\*\*] Term: 14 Years

[21] Appl. No.: 180,531

[22] Filed: Aug. 22, 1980

[51] Int. Cl. .... D14-01

[52] U.S. Cl. .... D14/34

[58] Field of Search ..... D14/34, 33; 179/1 E; 181/198, 144, 199, 155, 147, 146, 148

[56] References Cited

U.S. PATENT DOCUMENTS

D. 182,794	5/1958	Eames	.....	D14/34
D. 197,611	3/1964	Yang	.....	D14/33
D. 215,160	9/1969	Warre et al.	.....	D14/34
D. 221,441	8/1971	Ishikawa	.....	D14/34
D. 222,676	11/1971	Ishikawa	.....	D14/34
D. 231,660	5/1974	Ishikawa	.....	D14/34
D. 239,036	3/1976	Ross	.....	D14/34

D. 248,297	6/1978	Rams	.....	D14/34
D. 253,592	12/1979	Takei	.....	D14/34
D. 259,877	7/1981	Barbera	.....	D14/34
3,520,559	7/1970	Ross	.....	D14/34 X

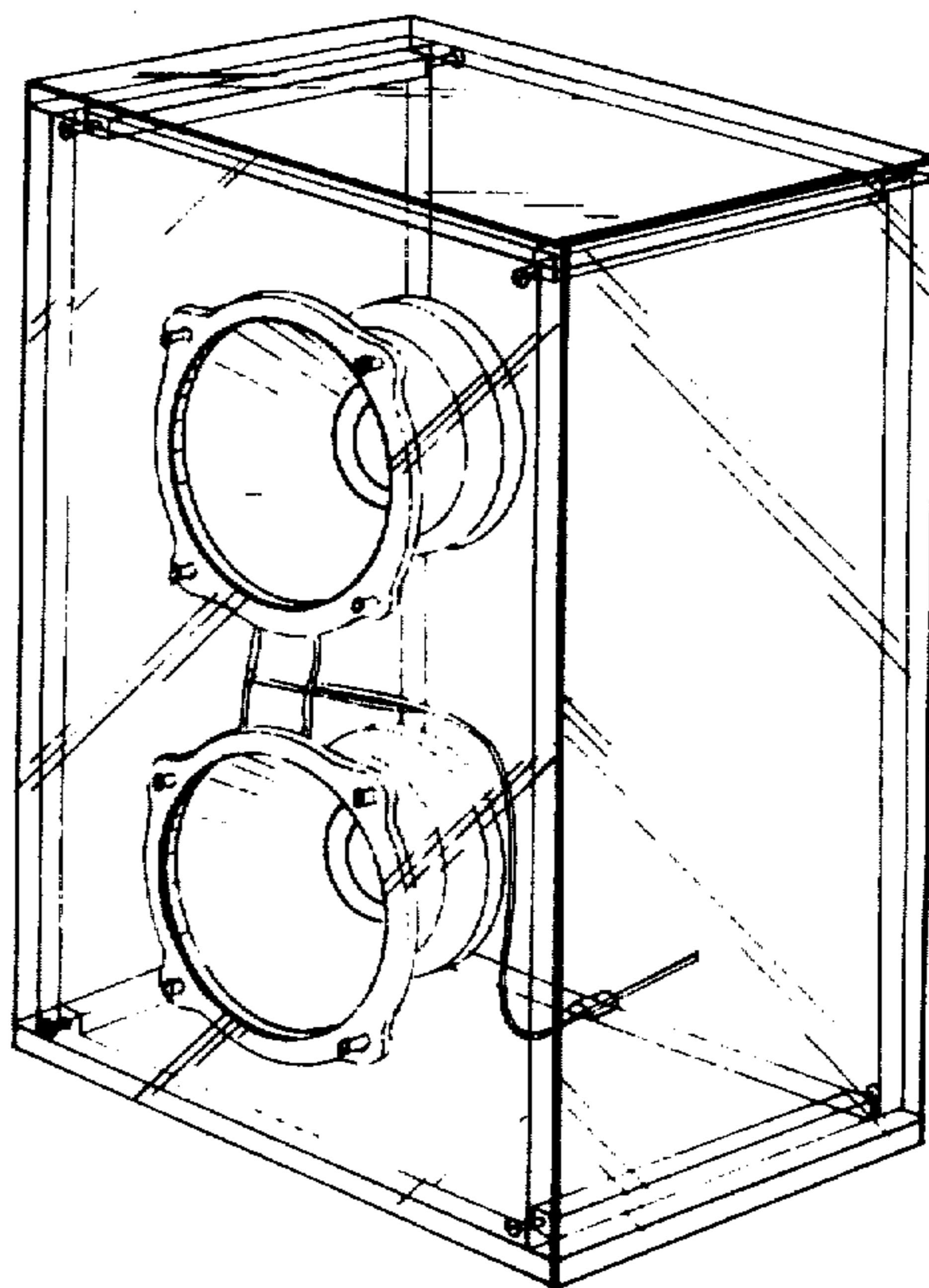
Primary Examiner—Bernard Ansher  
Attorney, Agent, or Firm—Benasutti & Murray

[57] CLAIM

The ornamental design for speaker cabinet, as shown and described.

DESCRIPTION

FIG. 1 is a front elevational view of a speaker cabinet embodying my new design;  
 FIG. 2 is a side elevation of the speaker cabinet shown in FIG. 1 taken from the right side;  
 FIG. 3 is a rear view of the embodiment shown in FIG. 1;  
 FIG. 4 is a top view of the embodiment shown in FIG. 1; and  
 FIG. 5 is a front perspective view of the speaker cabinet shown in FIG. 1.  
 The shading employed on the various embodiments denotes a transparent material such as plexiglas.



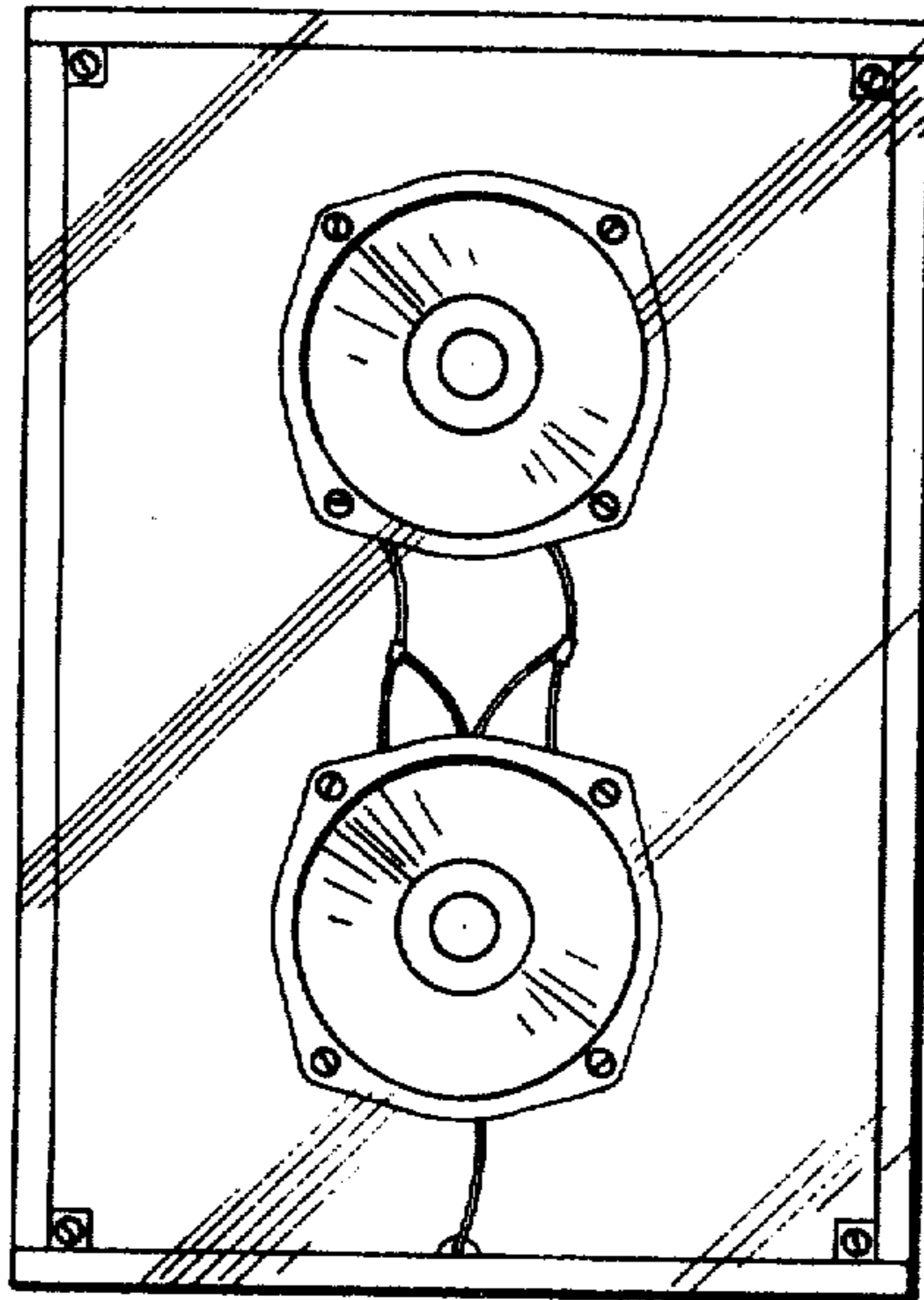


FIG. 1

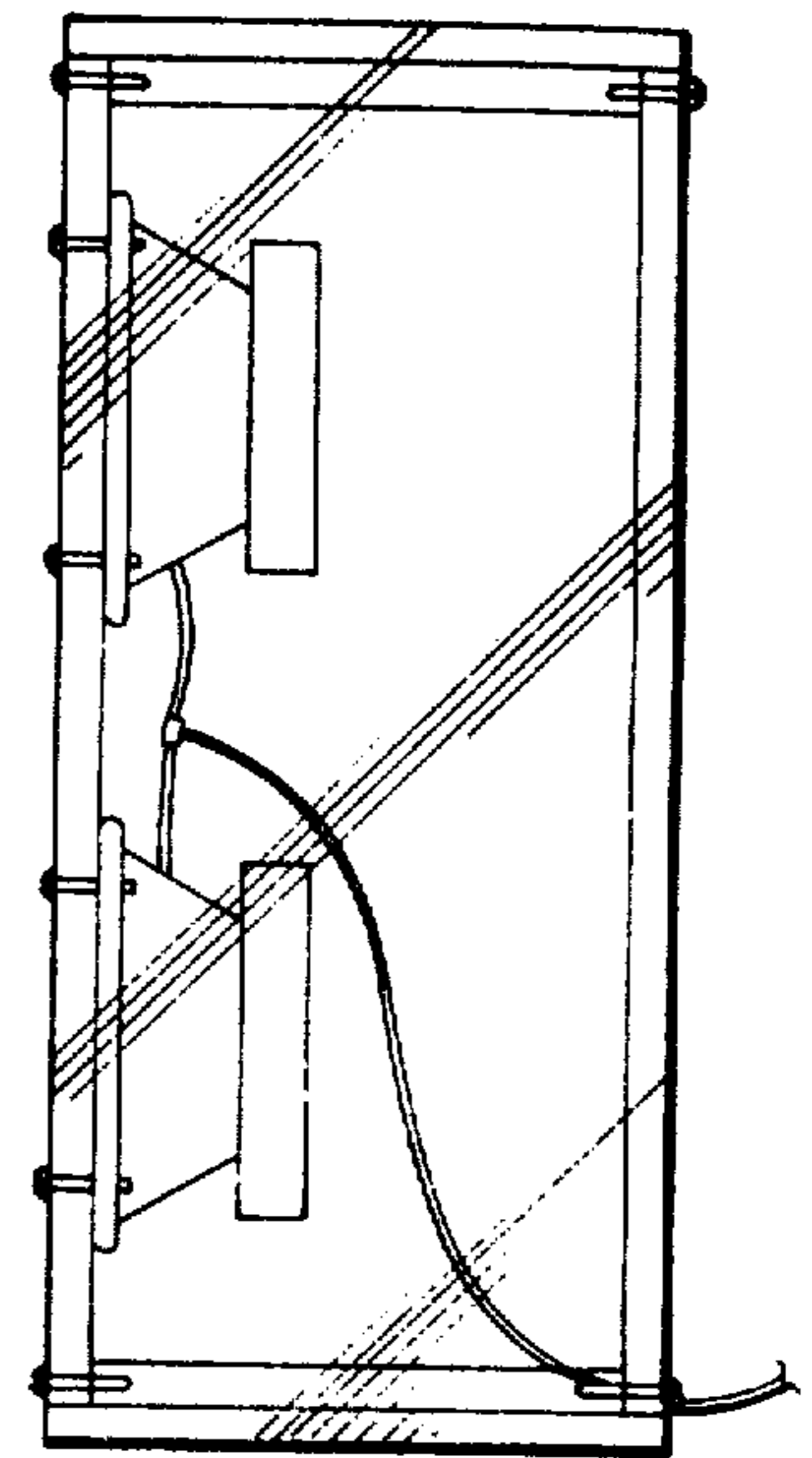


FIG. 2

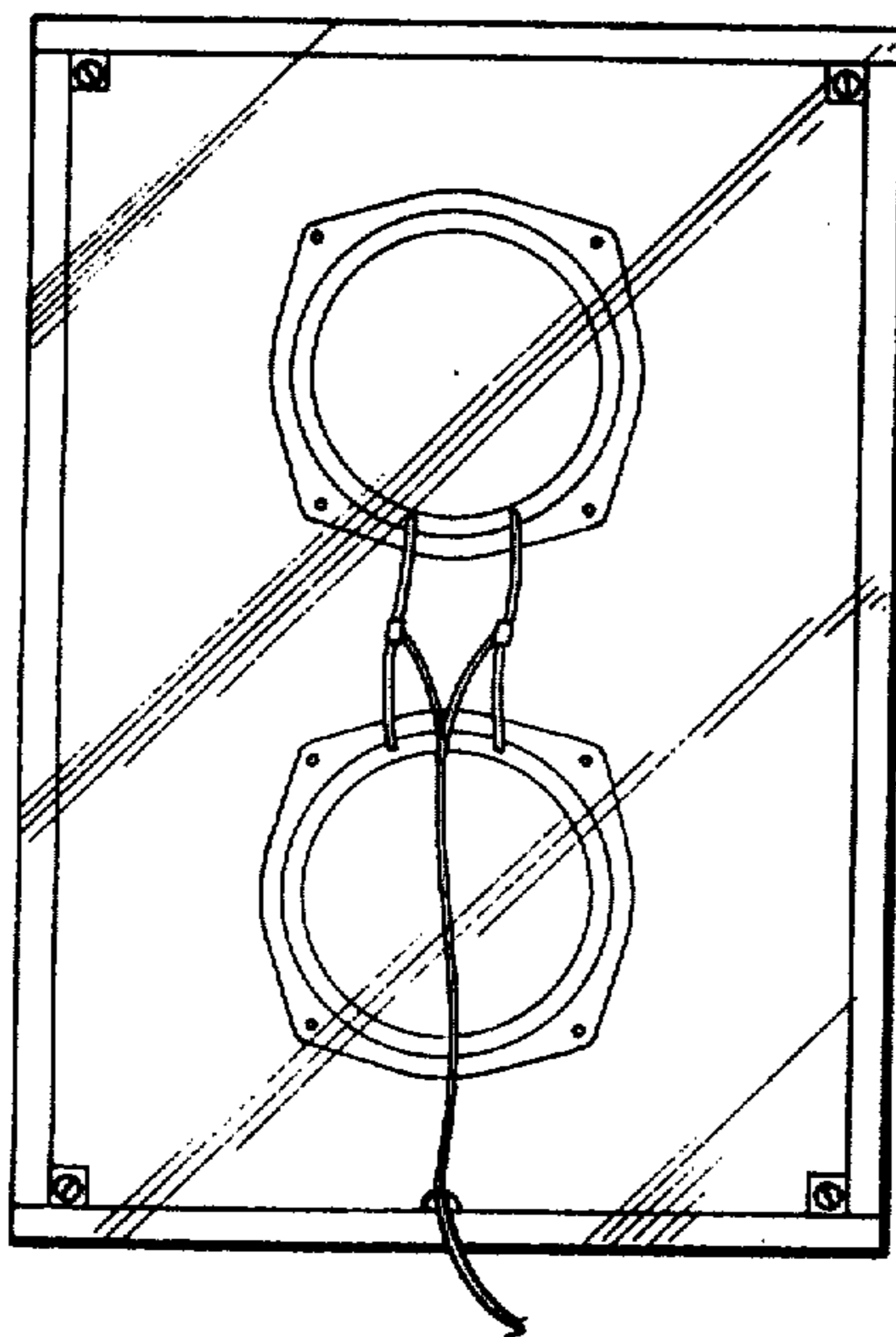


FIG. 3

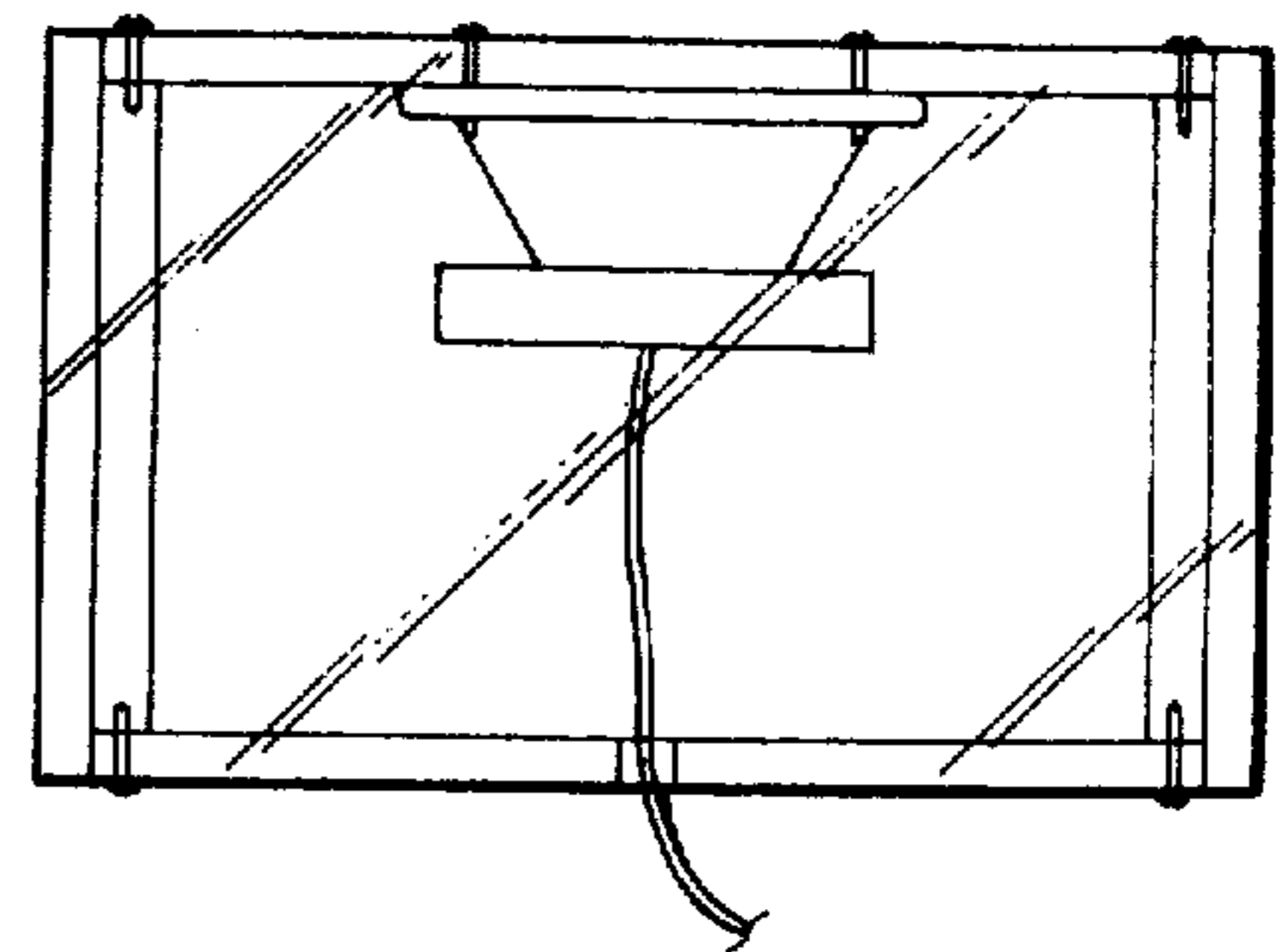
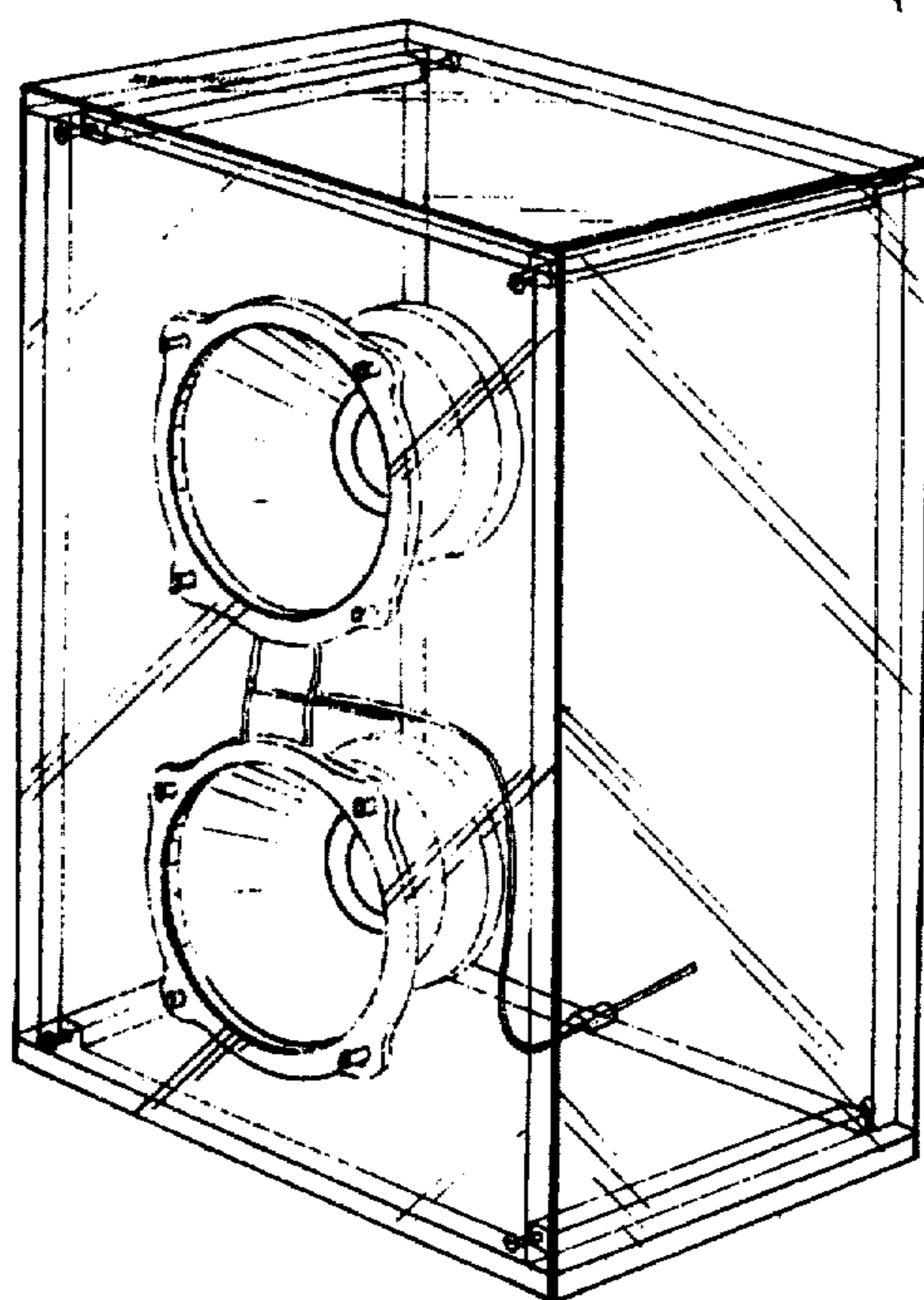


FIG. 4



**FIG. 5**