

[54] FLOAT APPARATUS FOR DOCKS AND THE LIKE

[76] Inventor: Thomas L. Thompson, 1645 Monrovia Ave., Costa Mesa, Calif. 92627

[**] Term: 14 Years

[21] Appl. No.: 180,498

[22] Filed: Aug. 22, 1980

[51] Int. Cl. D12-99; D21-99

[52] U.S. Cl. D12/316

[58] Field of Search D12/316, 317; 114/264, 114/266, 267

[56] References Cited

U.S. PATENT DOCUMENTS

D. 196,402 9/1963 Brown D12/316

D. 198,293 5/1964 Coffey D12/316
D. 231,567 4/1974 Tabur D12/316 X
2,879,735 3/1959 Pointer 114/352 X
3,752,102 8/1973 Shuman 114/267
3,861,340 1/1975 Clingenpeel 114/267

Primary Examiner—Alan P. Douglas
Attorney, Agent, or Firm—Francis X. LoJacono

[57] CLAIM

The ornamental design for a float apparatus for docks and the like, as shown and described.

DESCRIPTION

FIG. 1 is a perspective view of a float apparatus for docks and the like, showing my new design;
FIG. 2 is an end-elevational view of the end not seen in FIG. 1;
FIG. 3 is a side-elevational view of the side not seen in FIG. 1; and
FIG. 4 is a bottom-plan view thereof.

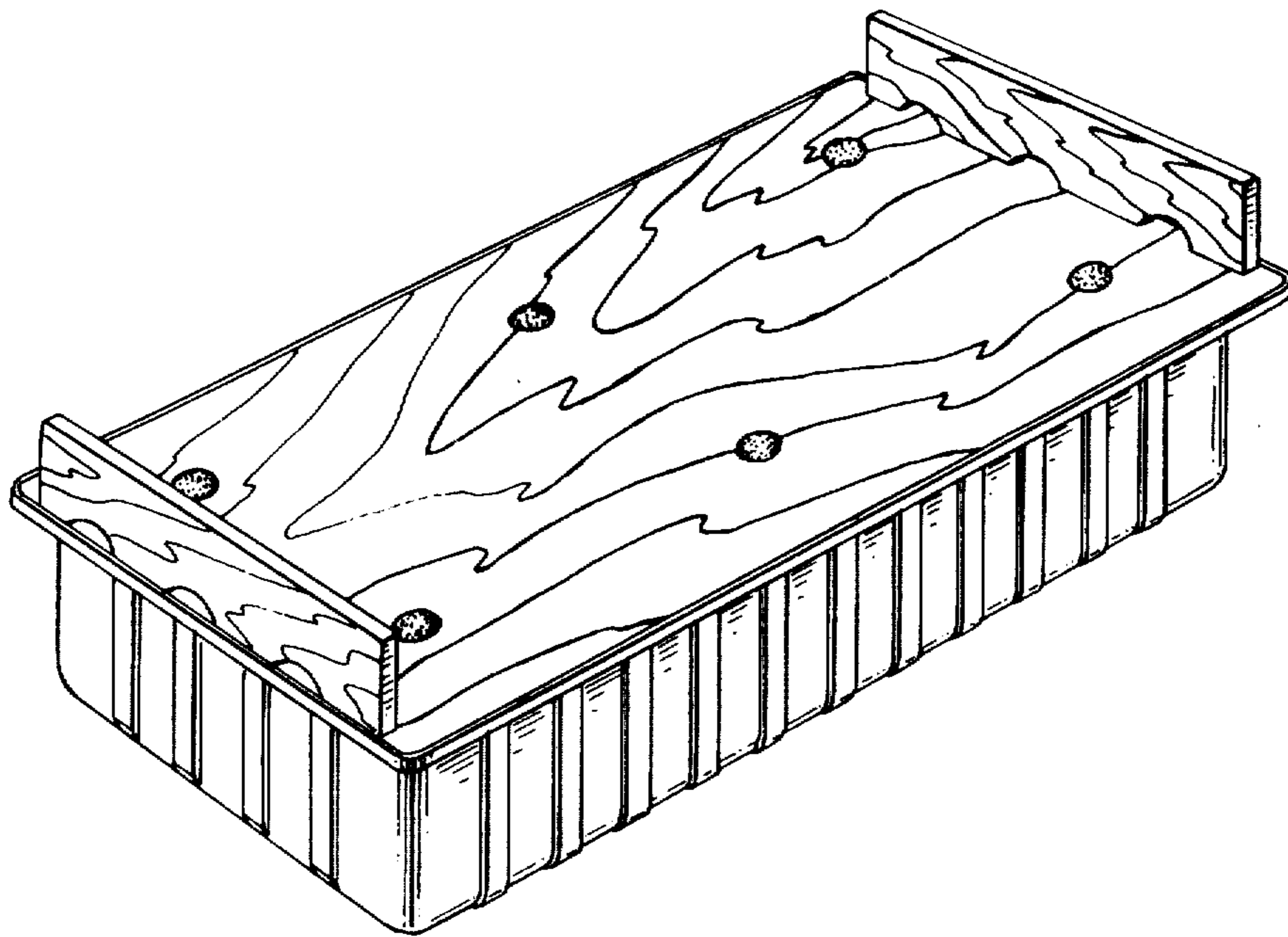


FIG. 1

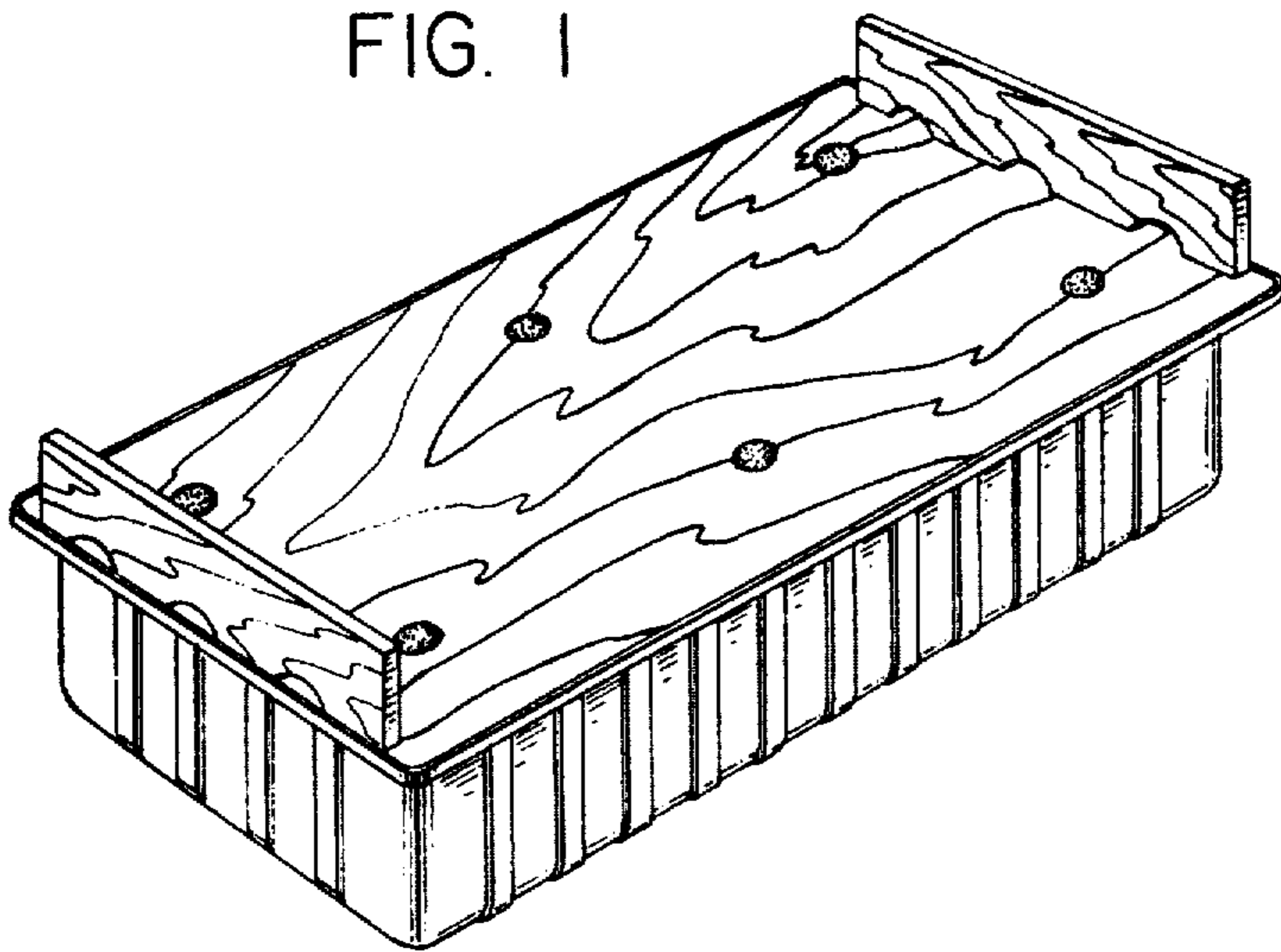


FIG. 2

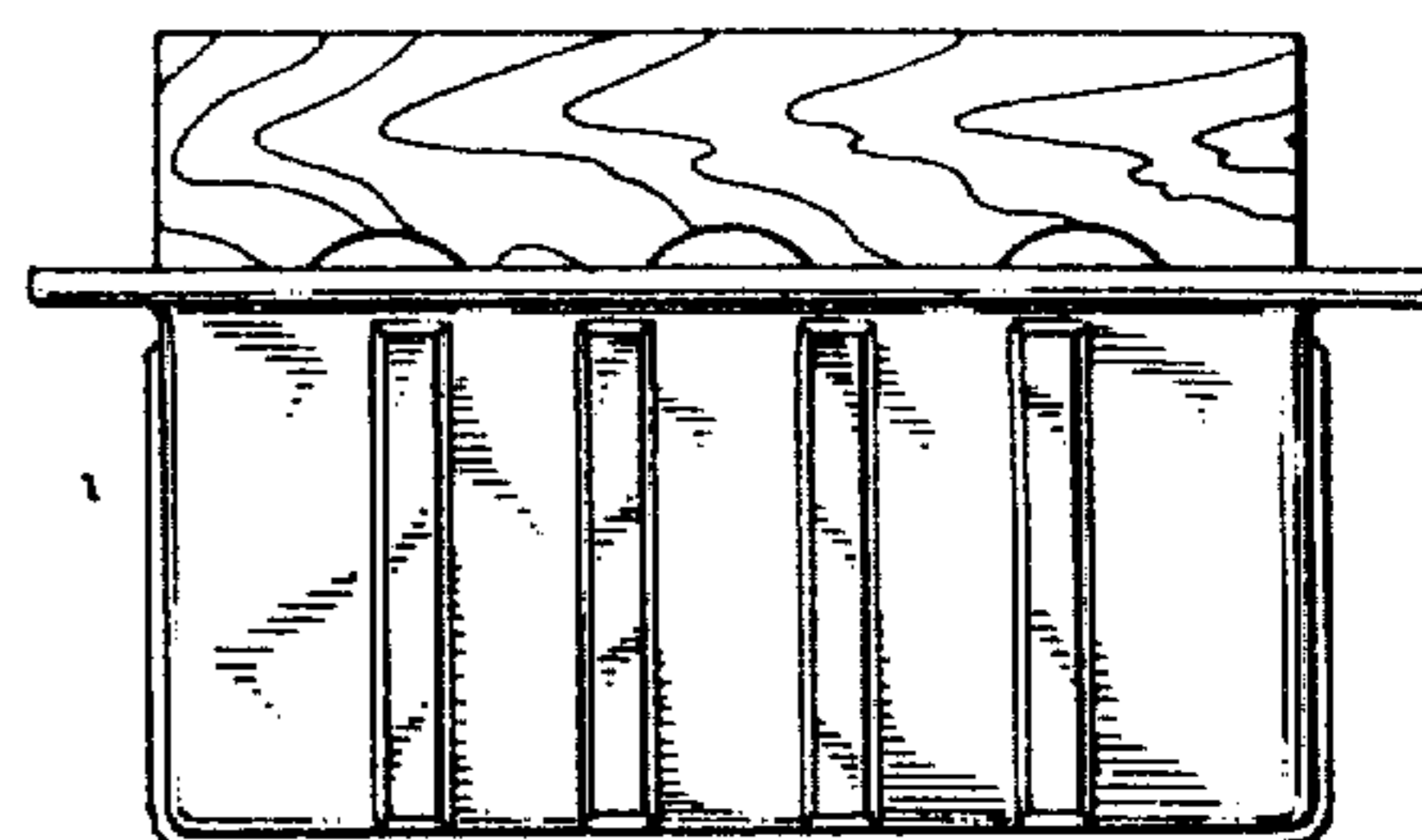


FIG. 3

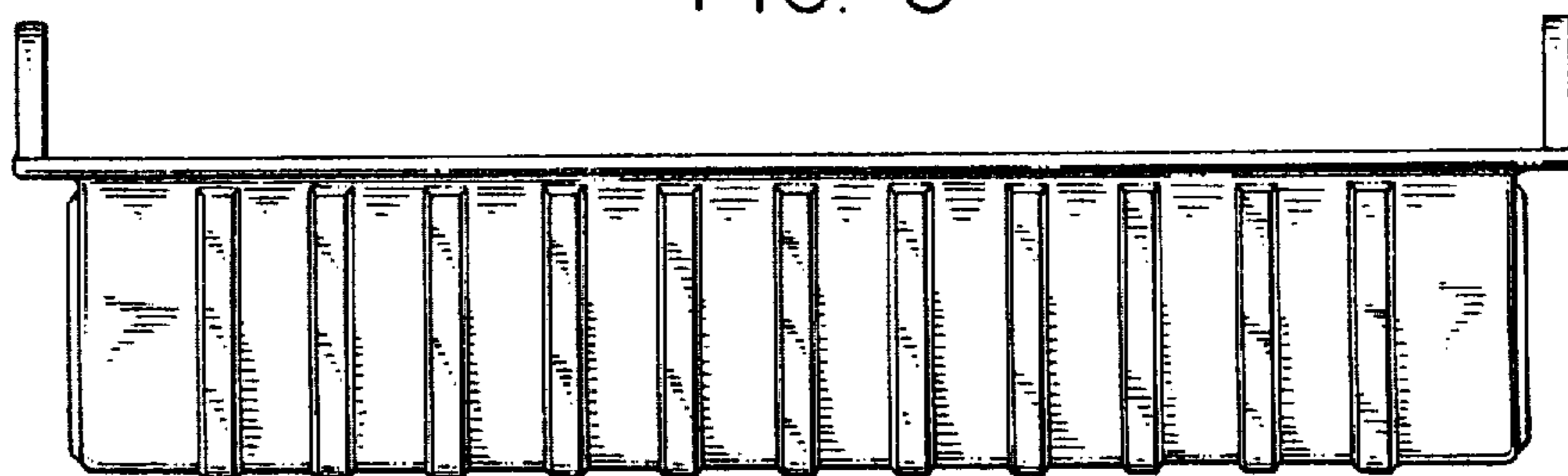


FIG. 4

