

[54] WALL CLOCK

[75] Inventor: Dana W. Mox, Elk Grove Village, Ill.

[73] Assignee: Tricolor Corporation, Las Cruces, N. Mex.

[**] Term: 14 Years

[21] Appl. No.: 173,681

[22] Filed: Jul. 28, 1980

[51] Int. Cl. D10-01
[52] U.S. Cl. D10/22
[58] Field of Search D10/22, 23, 122-126;
368/276, 277, 280, 285

[56]

References Cited

U.S. PATENT DOCUMENTS

D. 116,062 8/1939 Stern D10/22
D. 147,361 8/1947 Bentzinger D10/22
D. 261,993 11/1981 Lubs D10/23

Primary Examiner—Nelson C. Holtje
Attorney, Agent, or Firm—Wood, Dalton, Phillips,
Mason & Rowe

[57]

CLAIM

The ornamental design for a wall clock, as shown and described.

DESCRIPTION

FIG. 1 is a top and left front perspective view of a wall clock showing my new design;
FIG. 2 is a top and left rear perspective view thereof;
FIG. 3 is a front elevational view thereof;
FIG. 4 is a side elevational view thereof.



Fig. 1.



Fig. 2.

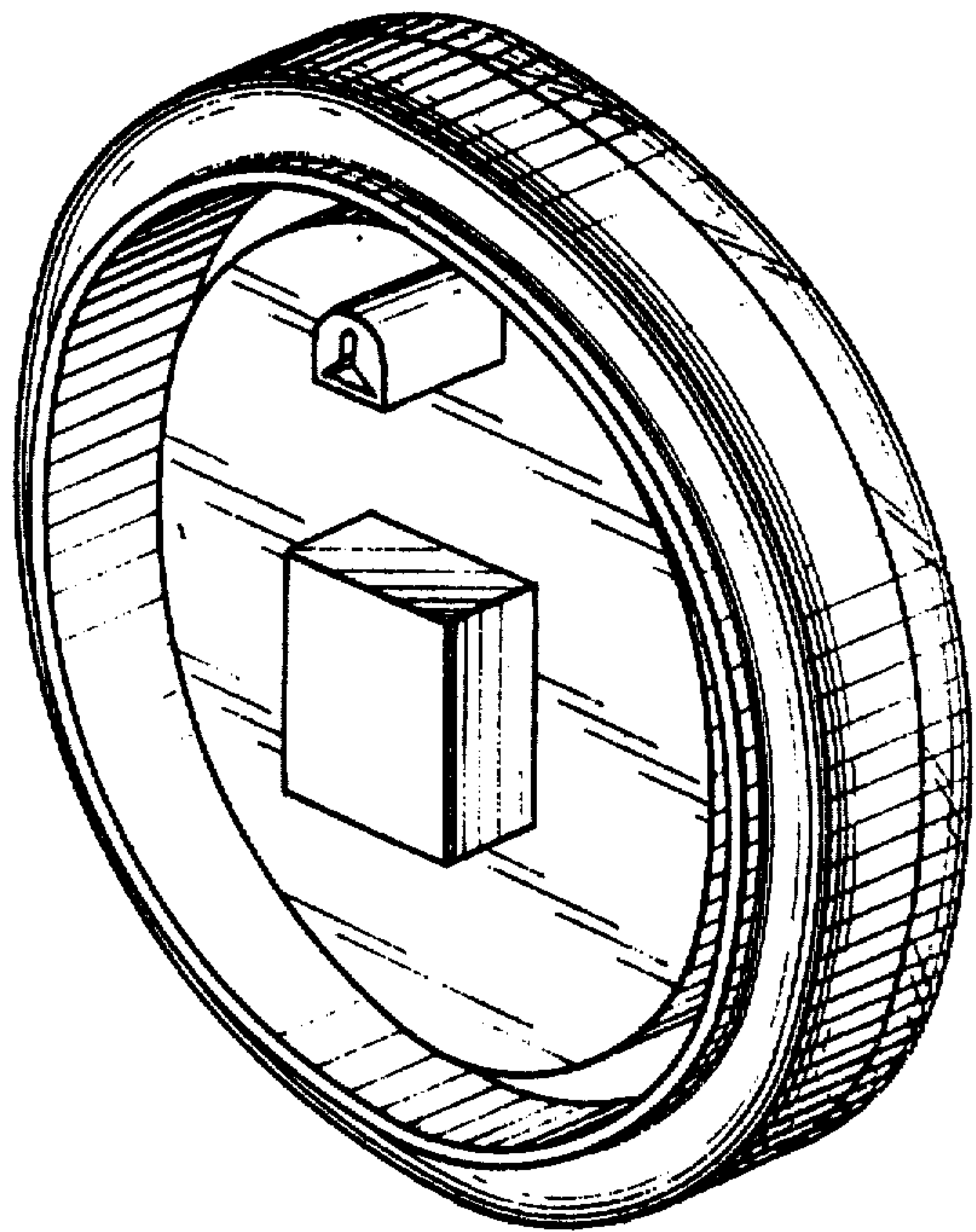


Fig. 3.

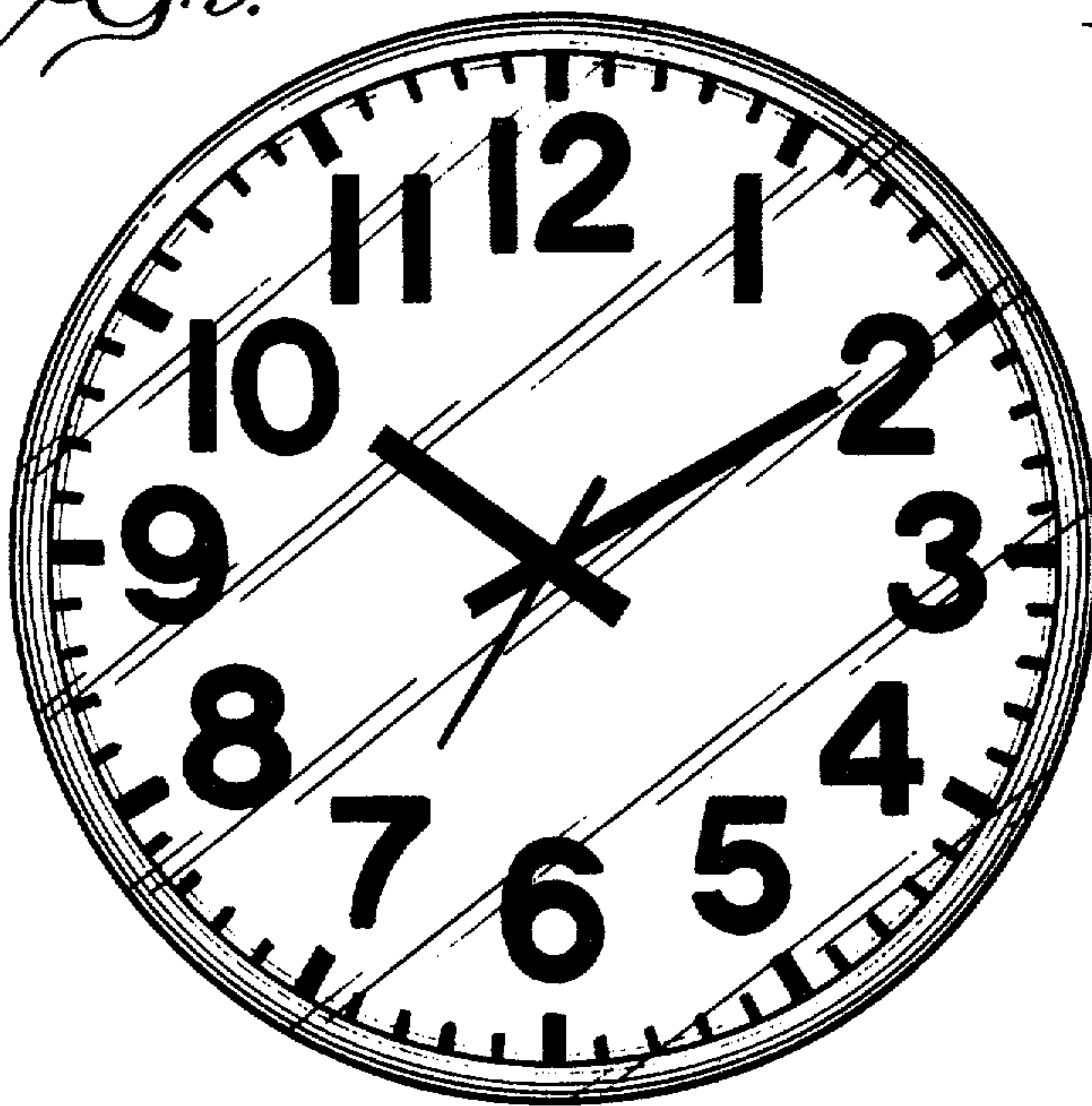


Fig. 4.

