

[54] CHILD RESISTANT PUSH BUTTON CAP FOR CONTAINERS

[76] Inventor: Glenn H. Morris, 4203 Highwood Dr., Chattanooga, Tenn. 37415

[\*\*] Term: 14 Years

[21] Appl. No.: 268,171

[22] Filed: May 29, 1981

Related U.S. Application Data

[63] Continuation-in-part of Ser. No. 169,881, Jul. 17, 1980.

[51] Int. Cl. .... D9-07
[52] U.S. Cl. .... D9/443
[58] Field of Search .... D9/438, 443, 446, 447, D9/453, 454; 220/269, 270, 90.4; 215/274, 220, 219, 206

References Cited

U.S. PATENT DOCUMENTS

D. 166,526 4/1952 Buckingham ..... D9/443 X
D. 228,888 10/1973 Feldman ..... D9/454 X

D. 266,311 9/1982 Mattheis ..... D9/446
3,184,096 5/1965 Cheeley ..... D9/438 X
3,460,701 8/1969 Powalowski et al. .... D9/438 X
3,690,499 9/1972 Westfall ..... 215/274 X
4,284,201 8/1981 Nixon ..... 215/220
4,285,437 8/1981 Morris ..... 215/220
4,350,261 9/1982 Roth ..... 220/270

Primary Examiner—Robert C. Spangler
Attorney, Agent, or Firm—Brady, O'Boyle & Gates

[57] CLAIM

The ornamental design for a child resistant push button cap for containers, substantially as shown.

DESCRIPTION

FIG. 1 is a top perspective view of a push button child resistant cap for containers showing my new design, the view showing the top and one side thereof; FIG. 2 is a top plan view thereof; FIG. 3 is a side elevational view showing the side opposite that seen in FIG. 1; FIG. 4 is a front elevational view thereof; FIG. 5 is a rear elevational view thereof; and FIG. 6 is a bottom plan view thereof.

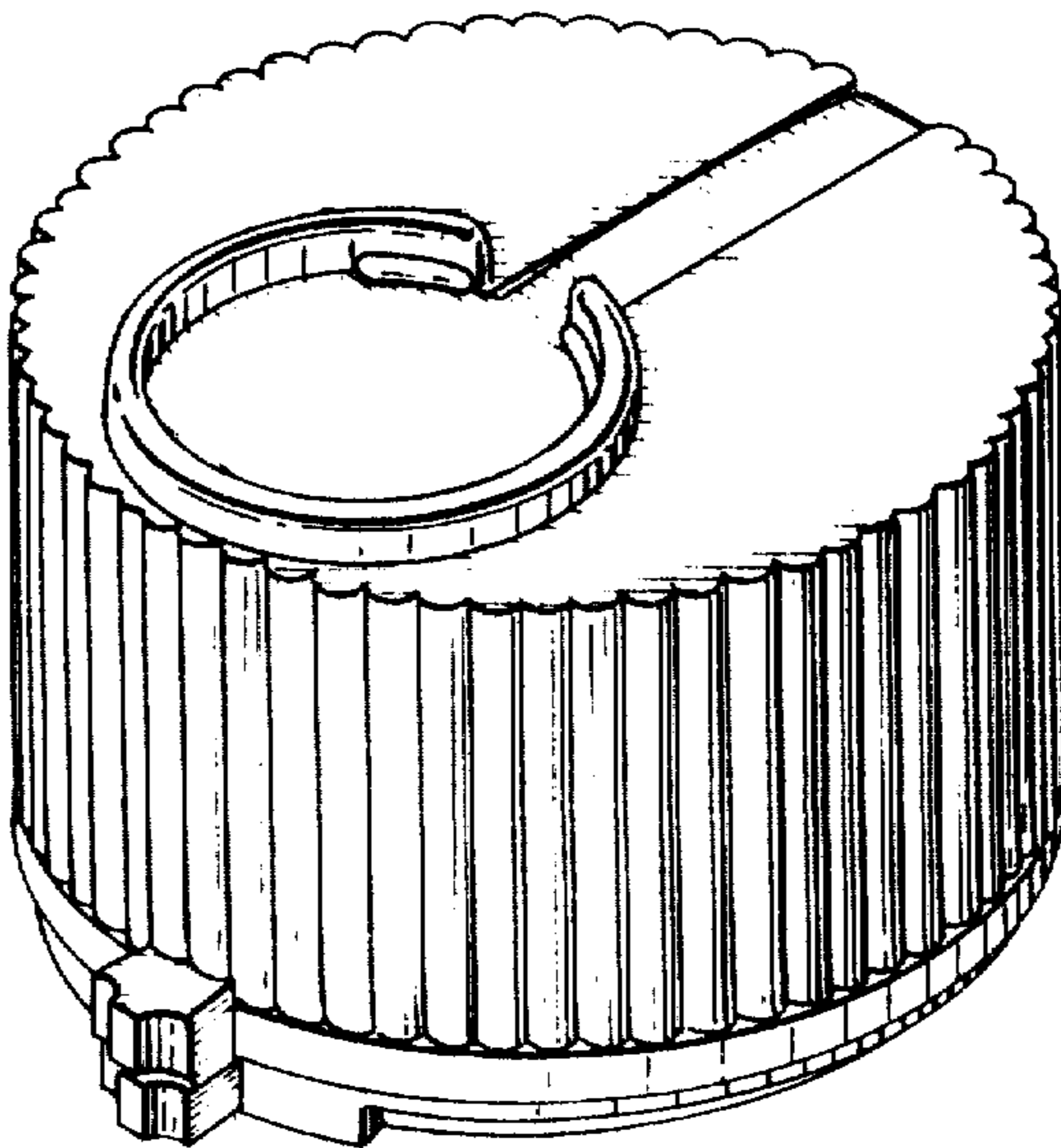


FIG. 1

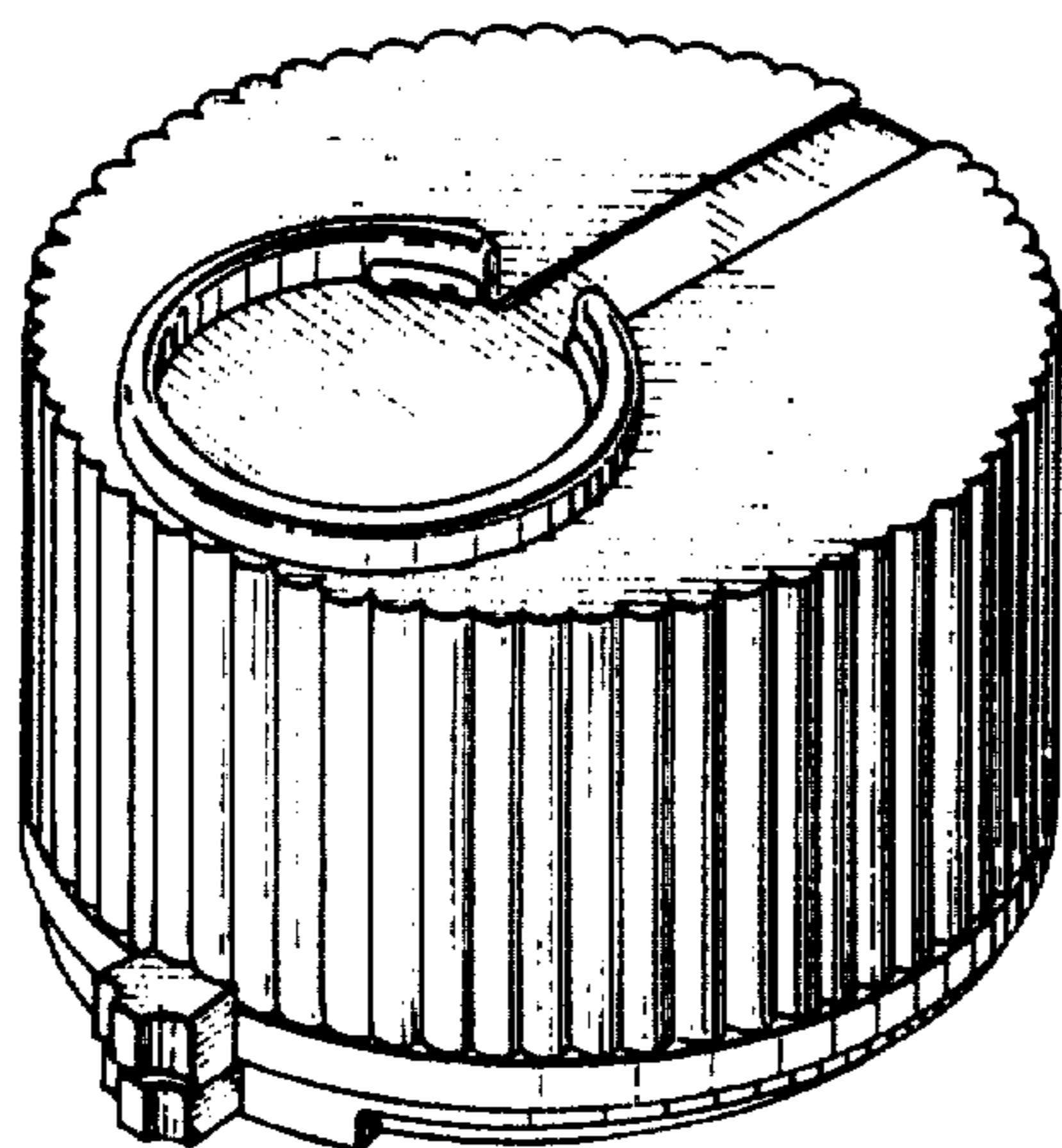


FIG. 2

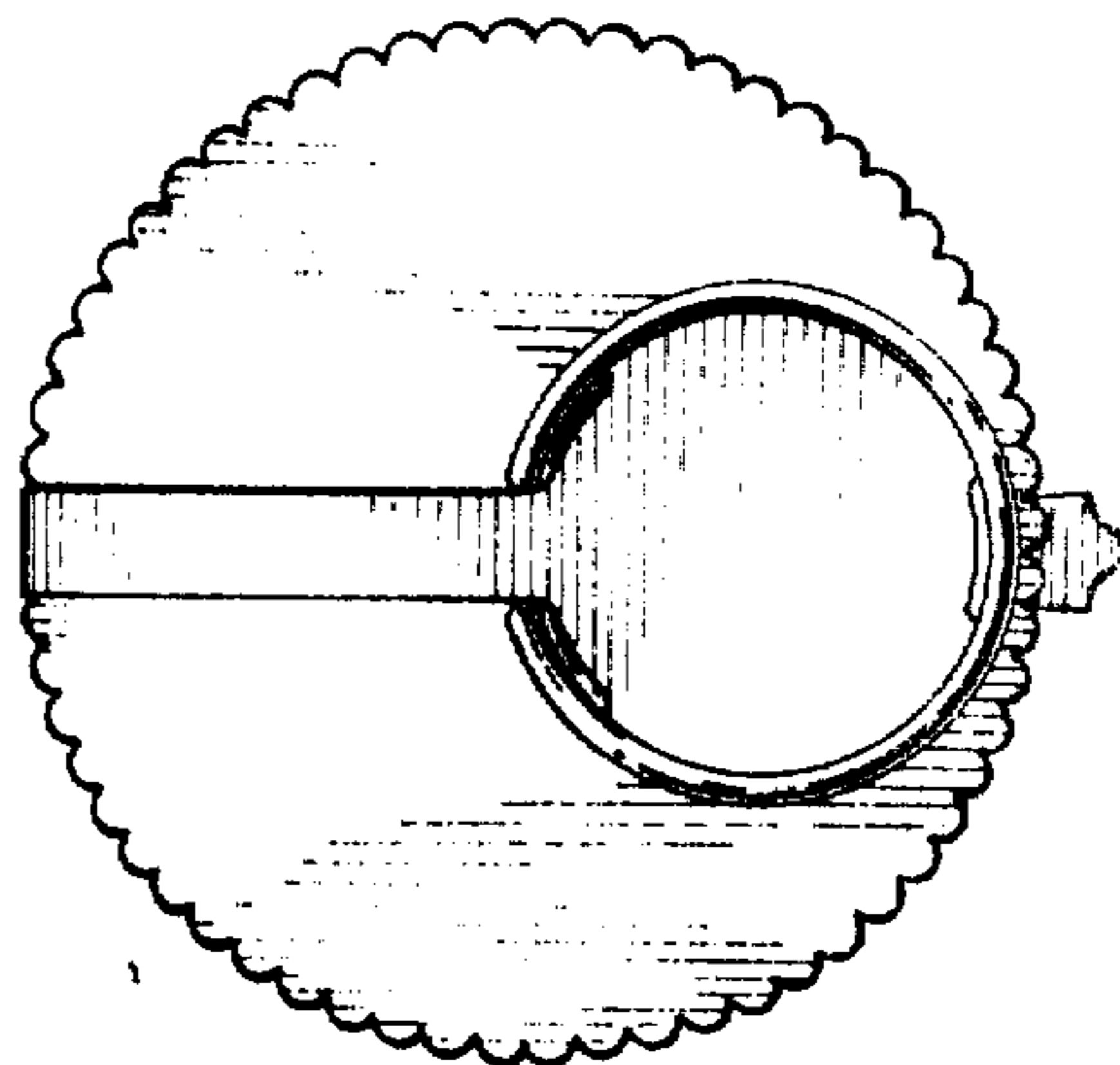


FIG. 3

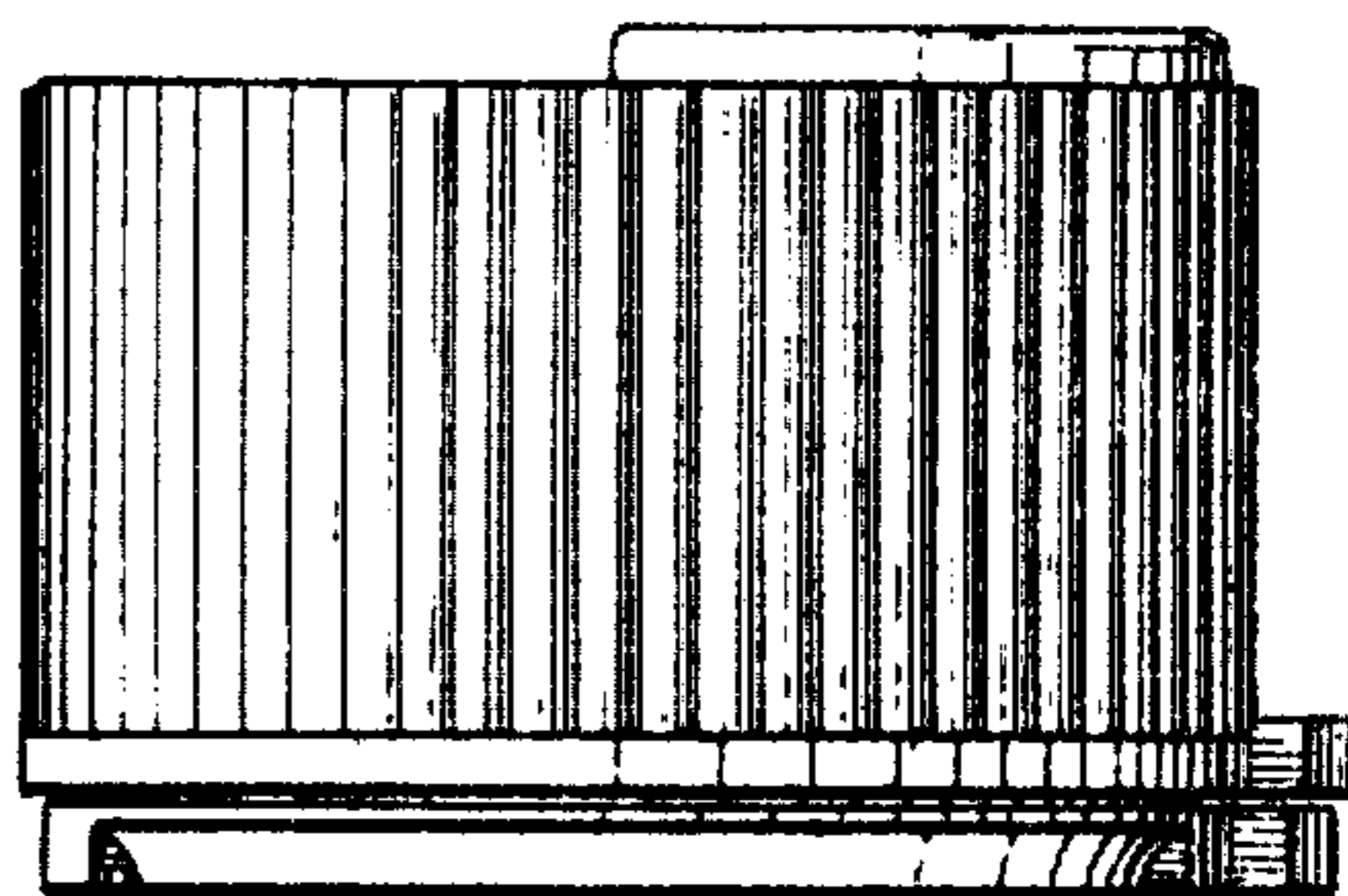


FIG. 4

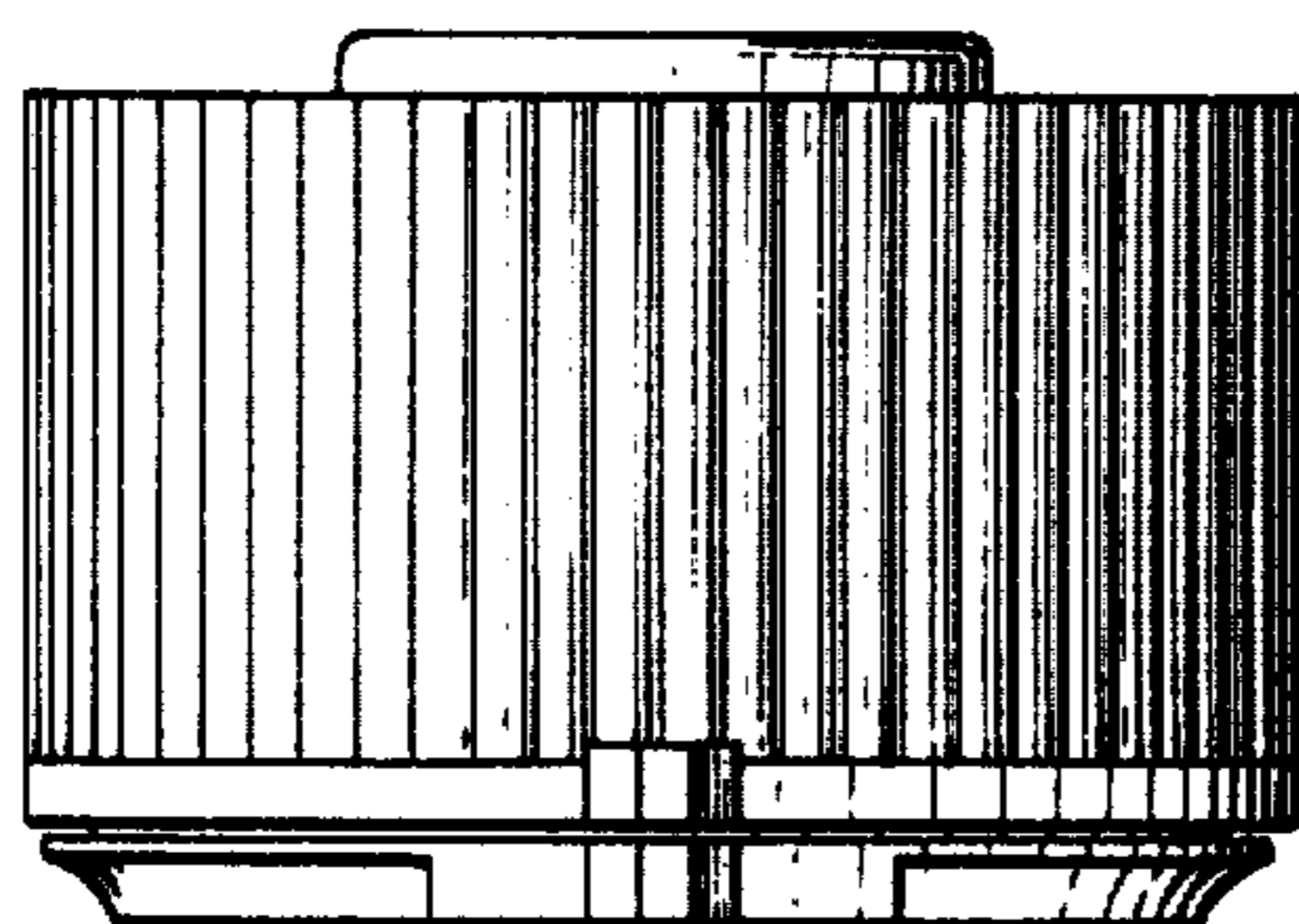


FIG. 5

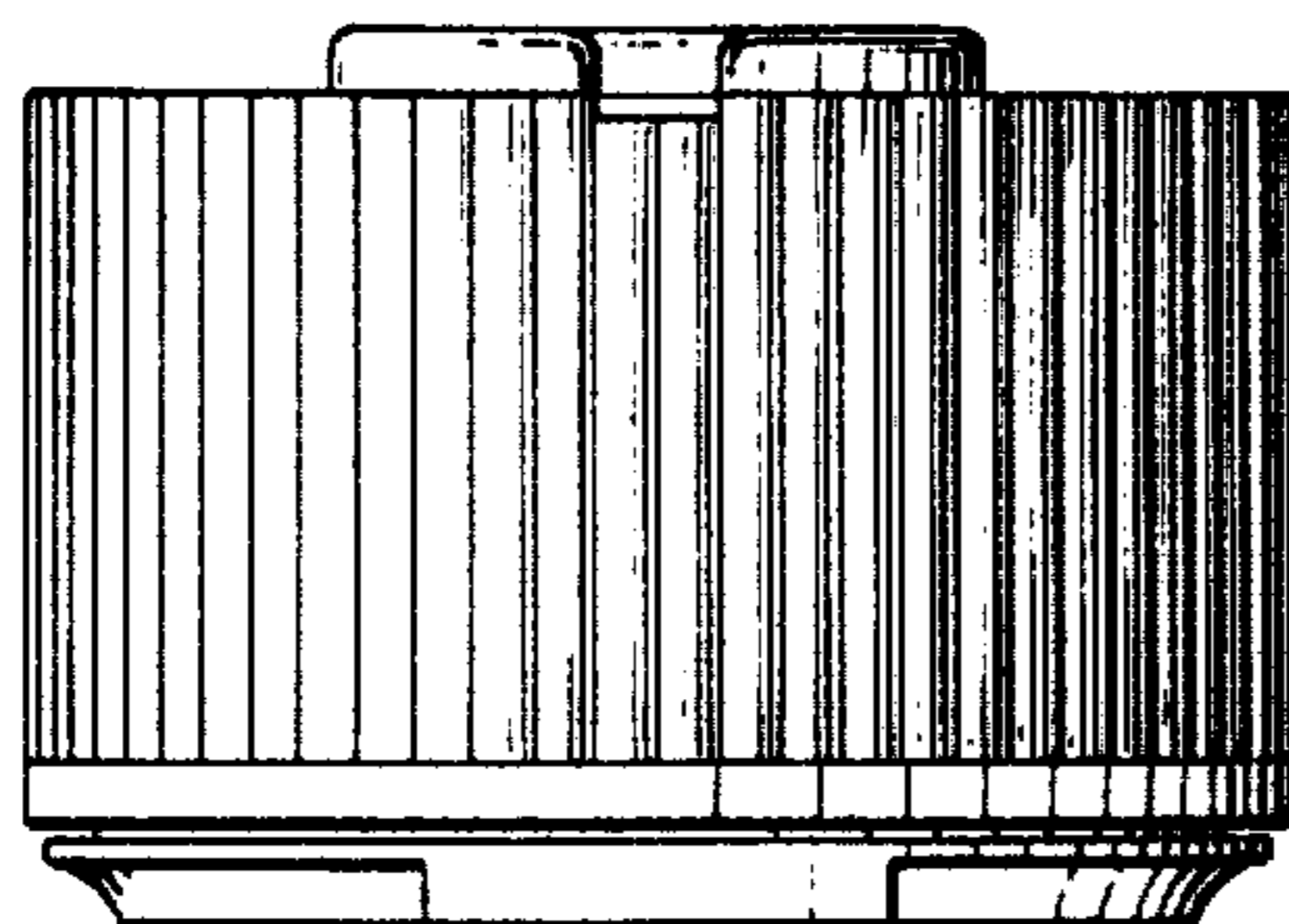


FIG. 6

