

[54] **AMBIDEXTROUS OPERATIVE CLAMP FOR DENTAL IMPRESSION TUBES**

[76] **Inventor:** Paul D. Raskin, 1600 39th St., Sacramento, Calif. 95816

[**] **Term:** 14 Years

[21] **Appl. No.:** 260,058

[22] **Filed:** May 4, 1981

[51] **Int. Cl.** D8—08; D24—99

[52] **U.S. Cl.** D8/396; D24/27; D24/53; 251/4; 24/130

[58] **Field of Search** D6/87; D8/396; 251/4; 604/34, 250; 24/130, 115 M; 43/43.11; D24/27, 53

[56] **References Cited**

U.S. PATENT DOCUMENTS

D. 200,729	3/1965	Coanda et al.	D8/396
D. 233,312	10/1974	Lock	D24/27 X
1,008,810	11/1911	Freese	24/130
4,051,578	10/1977	Manschot et al.	251/4
4,257,416	3/1981	Prager	604/250 X
4,347,874	9/1982	Sullivan et al.	604/250 X

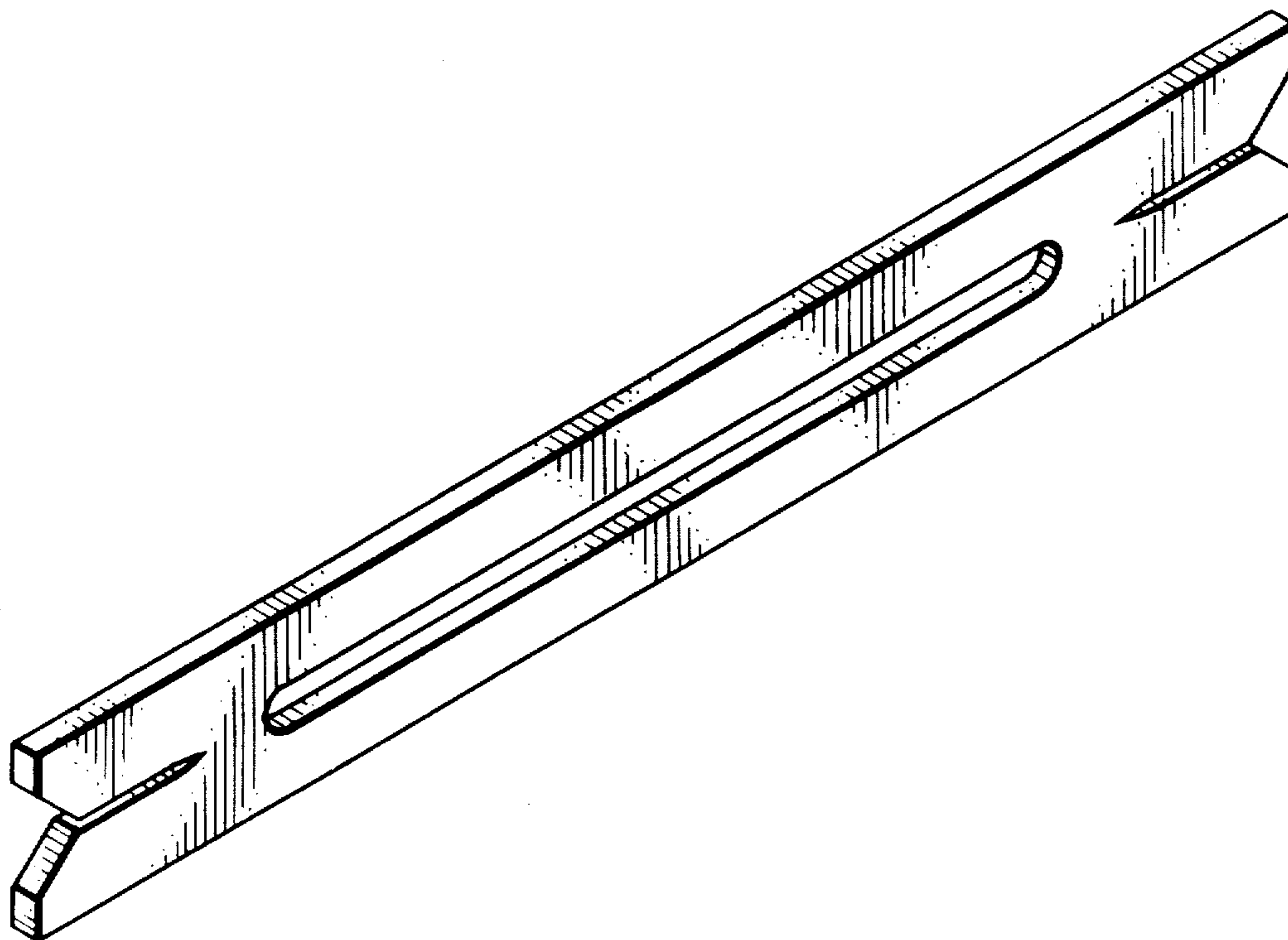
Primary Examiner—Bernard Ansher
Attorney, Agent, or Firm—Mark C. Jacobs

[57] **CLAIM**

The ornamental design for ambidextrous operative clamp for dental impression tubes, substantially as shown and described.

DESCRIPTION

FIG. 1 is a perspective view of an ambidextrous operative clamp showing my new design; FIG. 2 is a front elevational view; FIG. 3 is a top plan view, and FIG. 4 is a side elevational view.



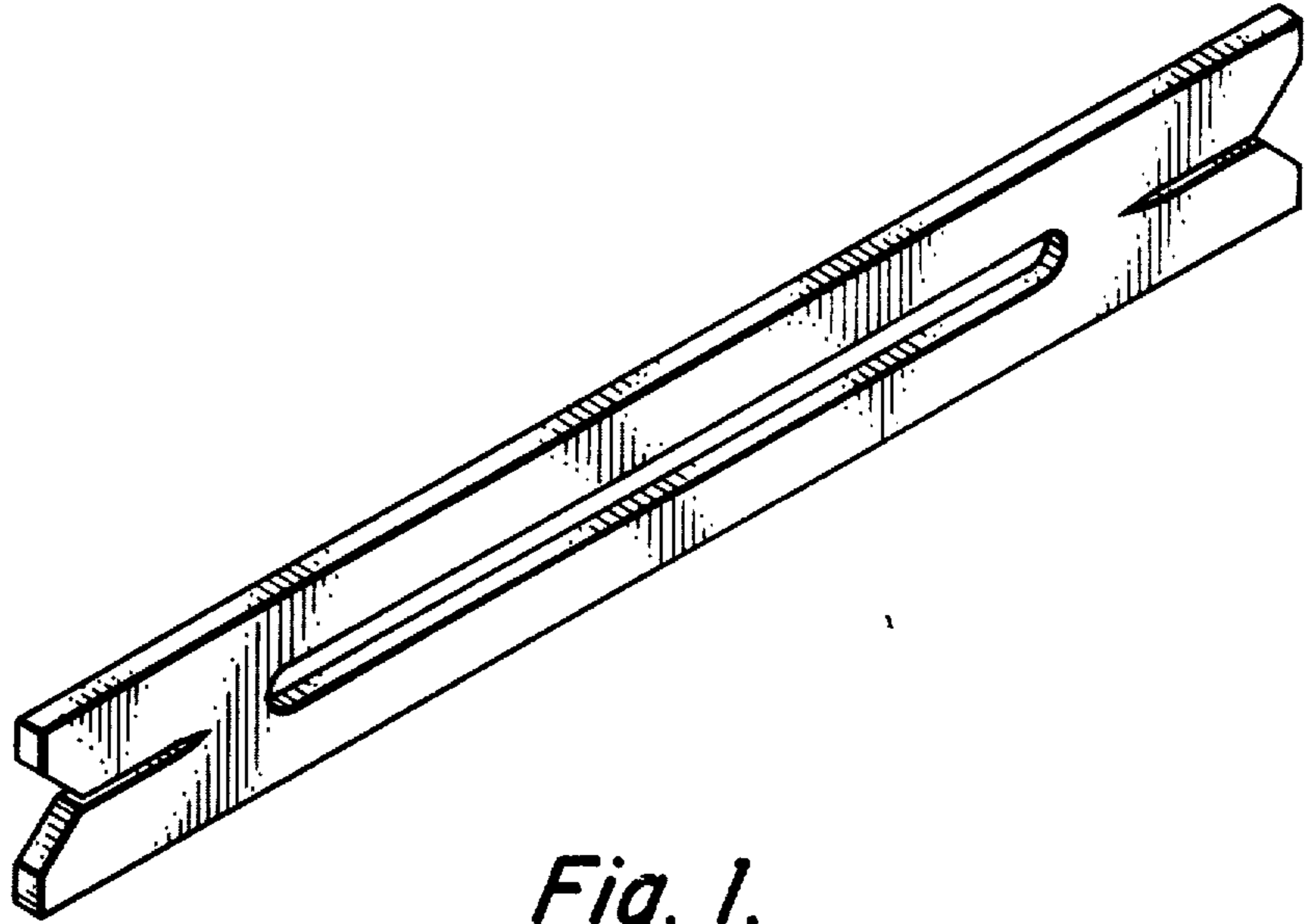


Fig. 1.



Fig. 2.



Fig. 3.



Fig. 4.