

[54] REVERSE SCREW GROMMET

2,875,804	3/1959	Flora	411/427
2,946,612	7/1960	Ahlgren	411/510
2,984,698	5/1961	Strauss	411/510

[75] Inventor: Jean R. Achille, Forest Park, Ill.

[73] Assignee: Illinois Tool Works Inc., Chicago, Ill.

[**] Term: 14 Years

[21] Appl. No.: 221,957

[22] Filed: Jan. 2, 1981

[51] Int. Cl. D8-08

[52] U.S. Cl. D8/354; D8/367; D8/382; D8/499

[58] Field of Search D8/356, 399, 349, 354, D8/367, 371, 382, 499; D15/143; 411/15, 112, 182, 366, 427, 510, 531, 546, 907, 908; 16/2

[56] References Cited

U.S. PATENT DOCUMENTS

2,836,215 5/1958 Rapata 411/15

FOREIGN PATENT DOCUMENTS

1217382 12/1970 United Kingdom 411/112

Primary Examiner—B. J. Bullock

Attorney, Agent, or Firm—Thomas W. Buckman; Jack R. Halvorsen

[57] CLAIM

The ornamental design for a reverse screw grommet, as shown.

DESCRIPTION

FIG. 1 is an inverted perspective view of a reverse screw grommet showing my new design; FIG. 2 is a bottom plan view thereof; FIG. 3 is a side elevational view thereof; FIG. 4 is an end elevational view thereof; and FIG. 5 is a top plan view thereof.

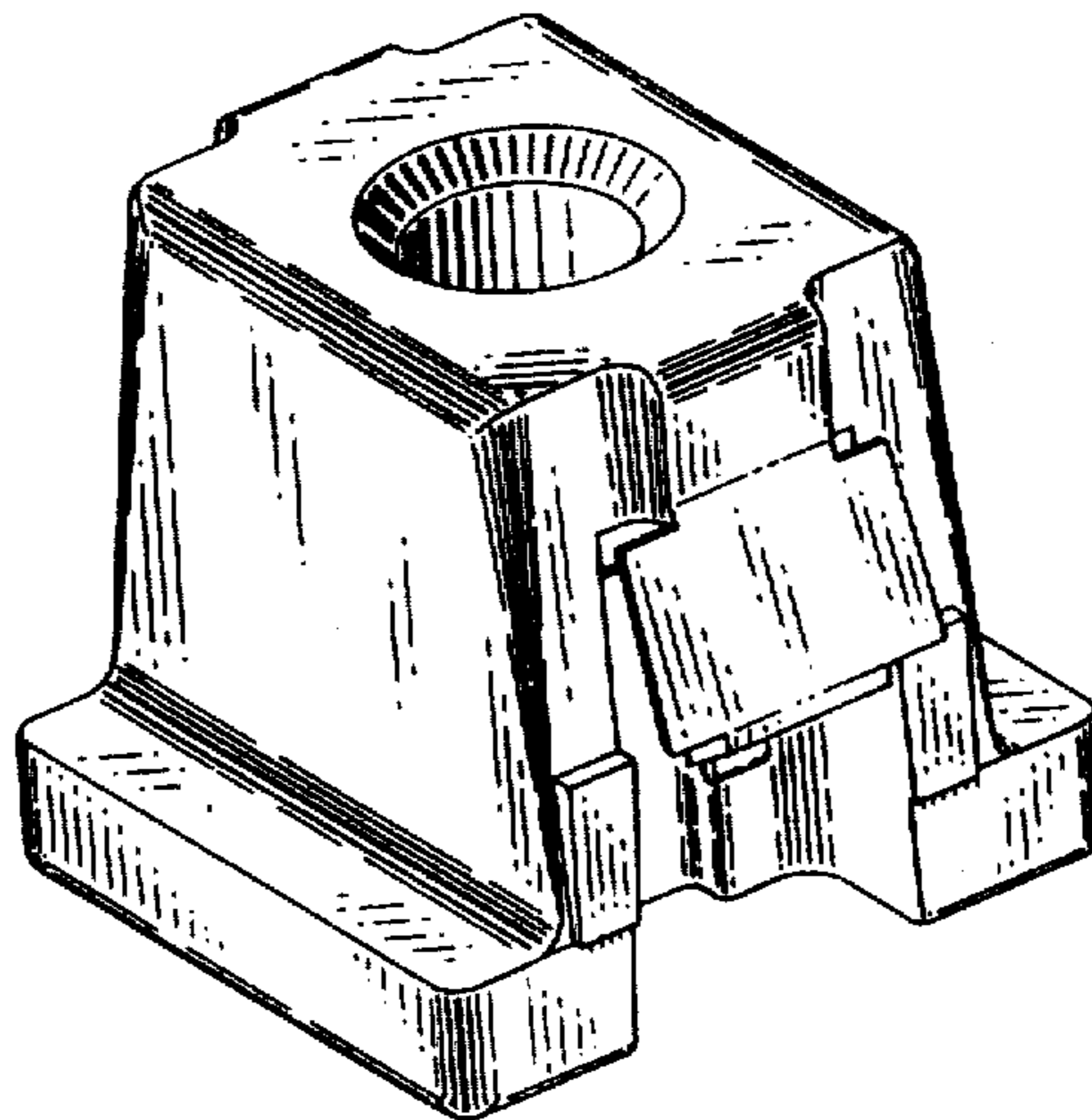


Fig. 1

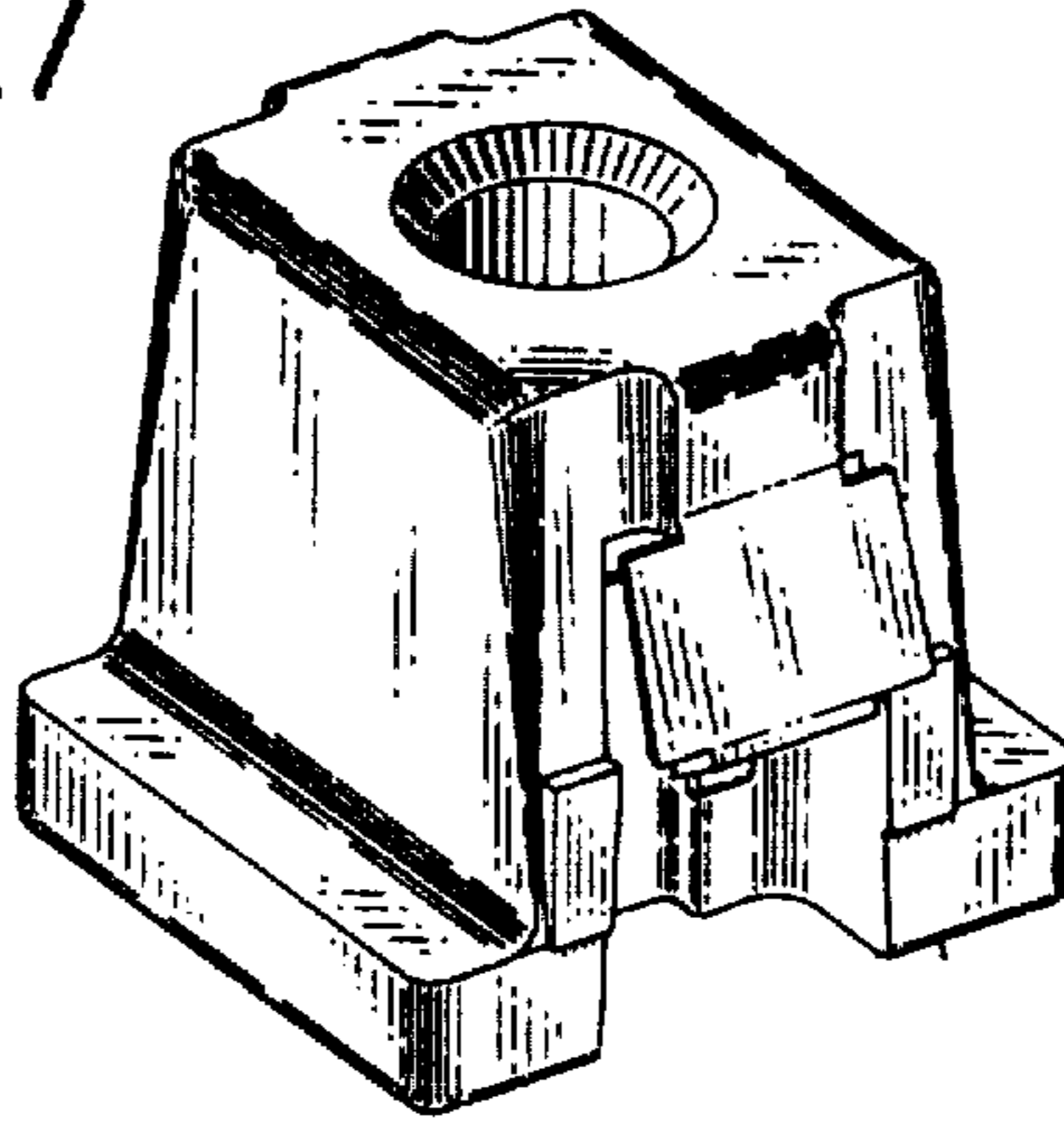


Fig. 2

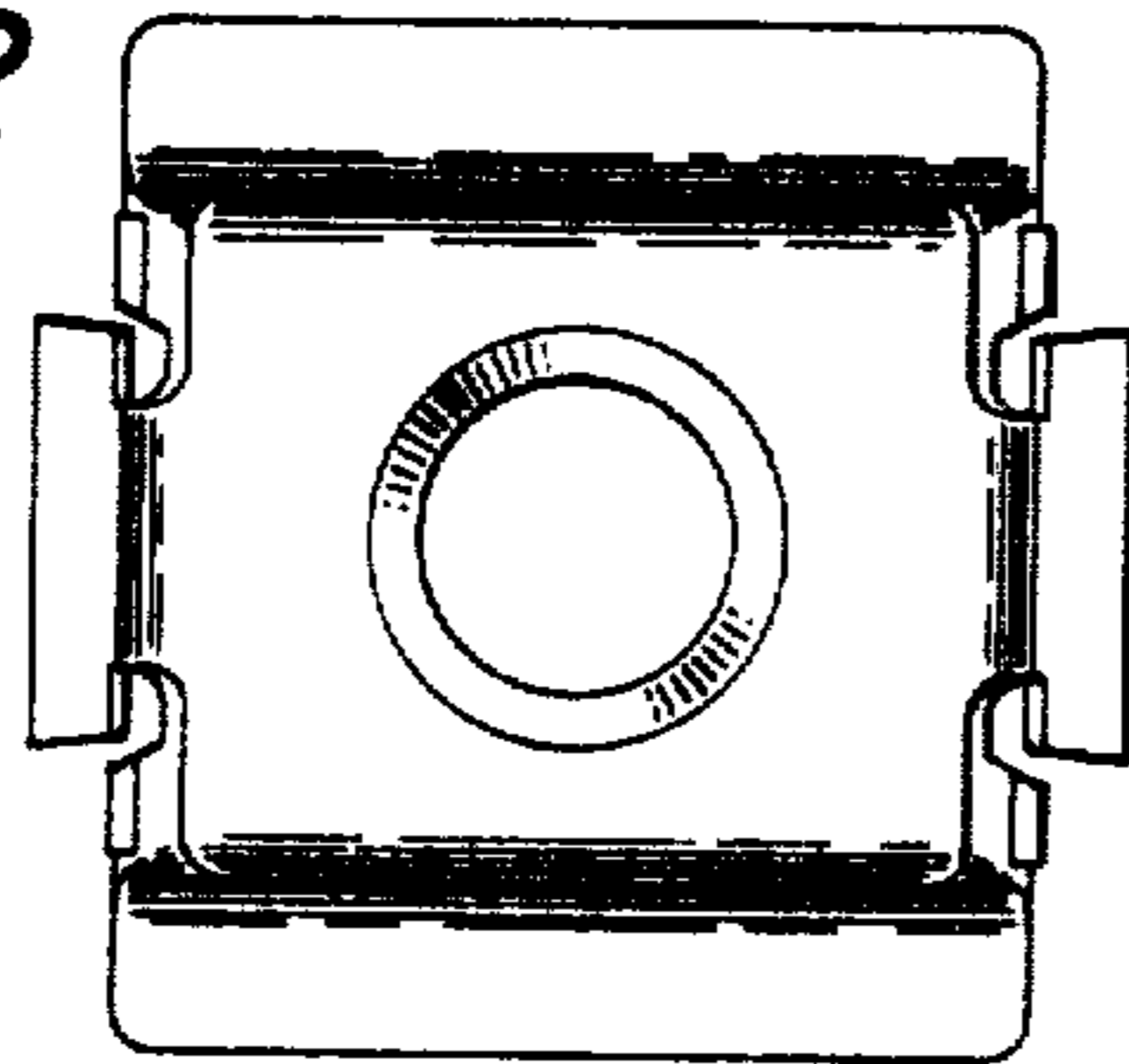


Fig. 3

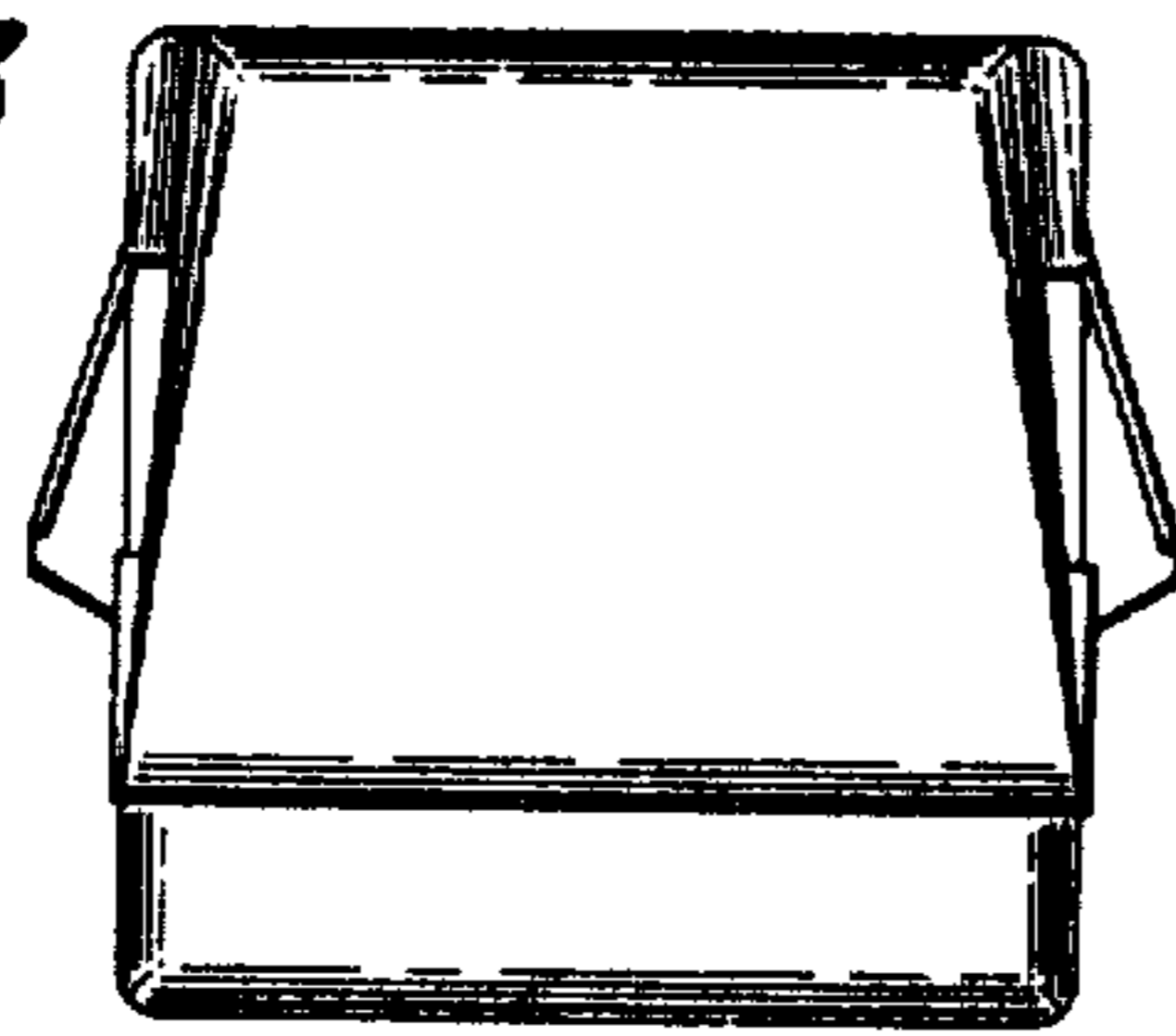


Fig. 4

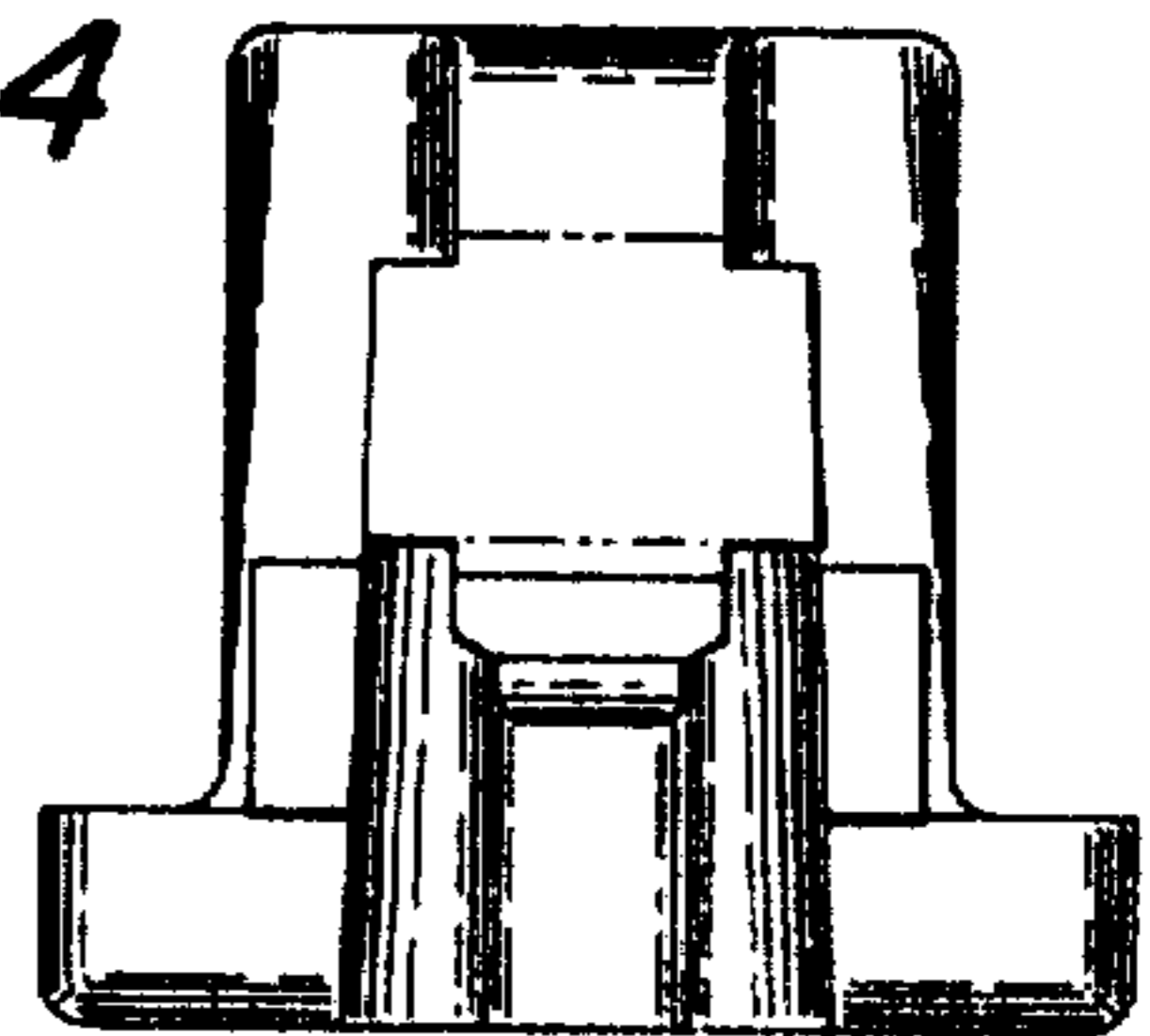


Fig. 5

