

[54] DISPOSABLE COFFEE FILTER OR THE LIKE

[76] Inventor: Hans I. Wallsten, Chemin di la Lisiere 6, CH-1018 Lausanne, Switzerland

[**] Term: 14 Years

[21] Appl. No.: 175,575

[22] Filed: Aug. 5, 1980

[30] Foreign Application Priority Data

Feb. 6, 1980 [SE] Sweden 80-0261

[51] Int. Cl. D7-04

[52] U.S. Cl. D7/400

[58] Field of Search D7/400, 47, 129, 88, D7/23; D15/113, 119; D9/428; 210/455, 456, 469, 471, 473, 474, 476, 477, 479, 485, 497.01, 495; 99/284, 297, 306, 317, 318, 322, 323

[56] References Cited

U.S. PATENT DOCUMENTS

D. 219,748 1/1971 Bixler D9/428 X

D. 221,838 9/1971 Fraser D9/428
D. 250,445 12/1978 Braun D7/47
1,998,645 4/1935 Von Nessen 99/306
3,780,871 12/1973 Hicks et al. 210/471

FOREIGN PATENT DOCUMENTS

598622 2/1948 United Kingdom 210/471

Primary Examiner—Susan J. Lucas
Attorney, Agent, or Firm—Lerner, David, Littenberg, Krumhoi & Mentlik

[57] CLAIM

The ornamental design for a disposable coffee filter or the like, substantially as shown and described.

DESCRIPTION

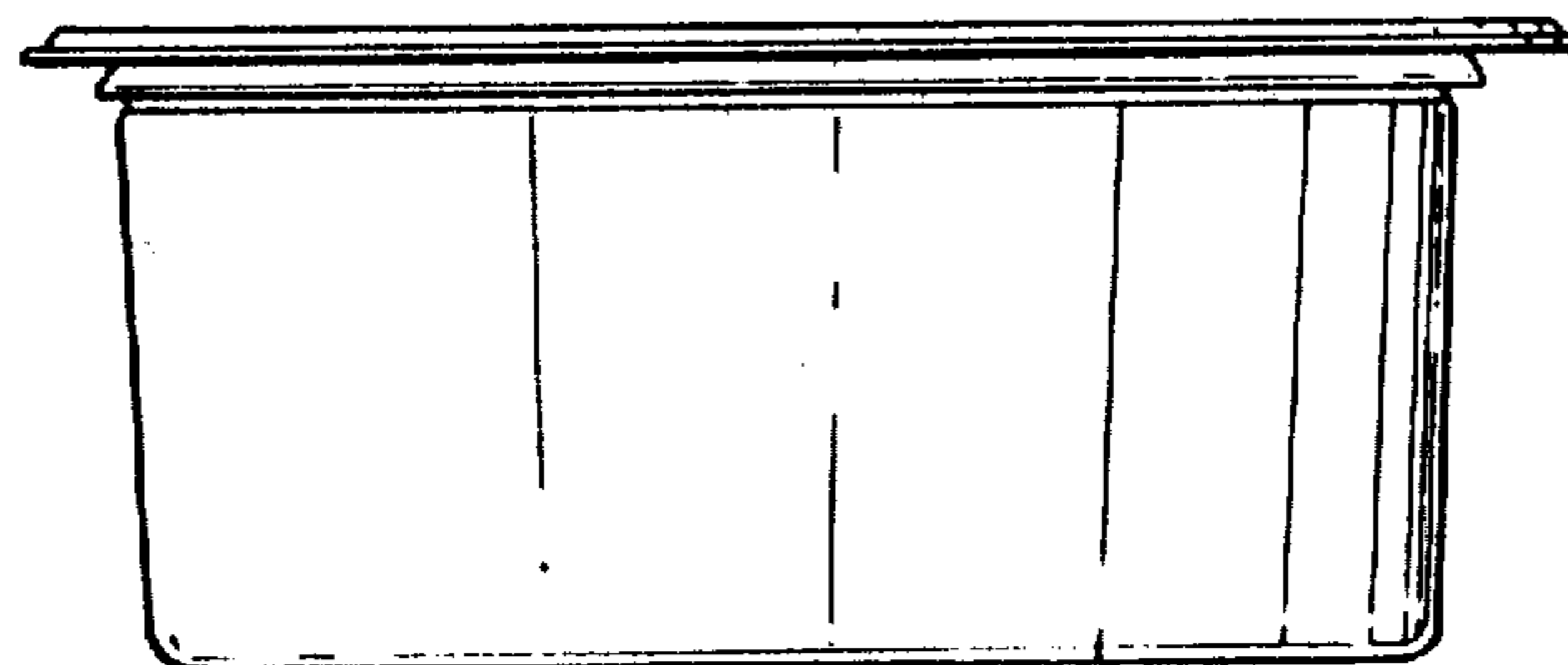
FIG. 1 is a perspective view from the top and side of a disposable coffee filter or the like showing my new design;

FIG. 2 is a perspective view from the top thereof;

FIG. 3 is a perspective view from the bottom thereof;

FIG. 4 is a side, elevational view thereof on an enlarged scale;

FIG. 5 is a bottom plan view thereof.



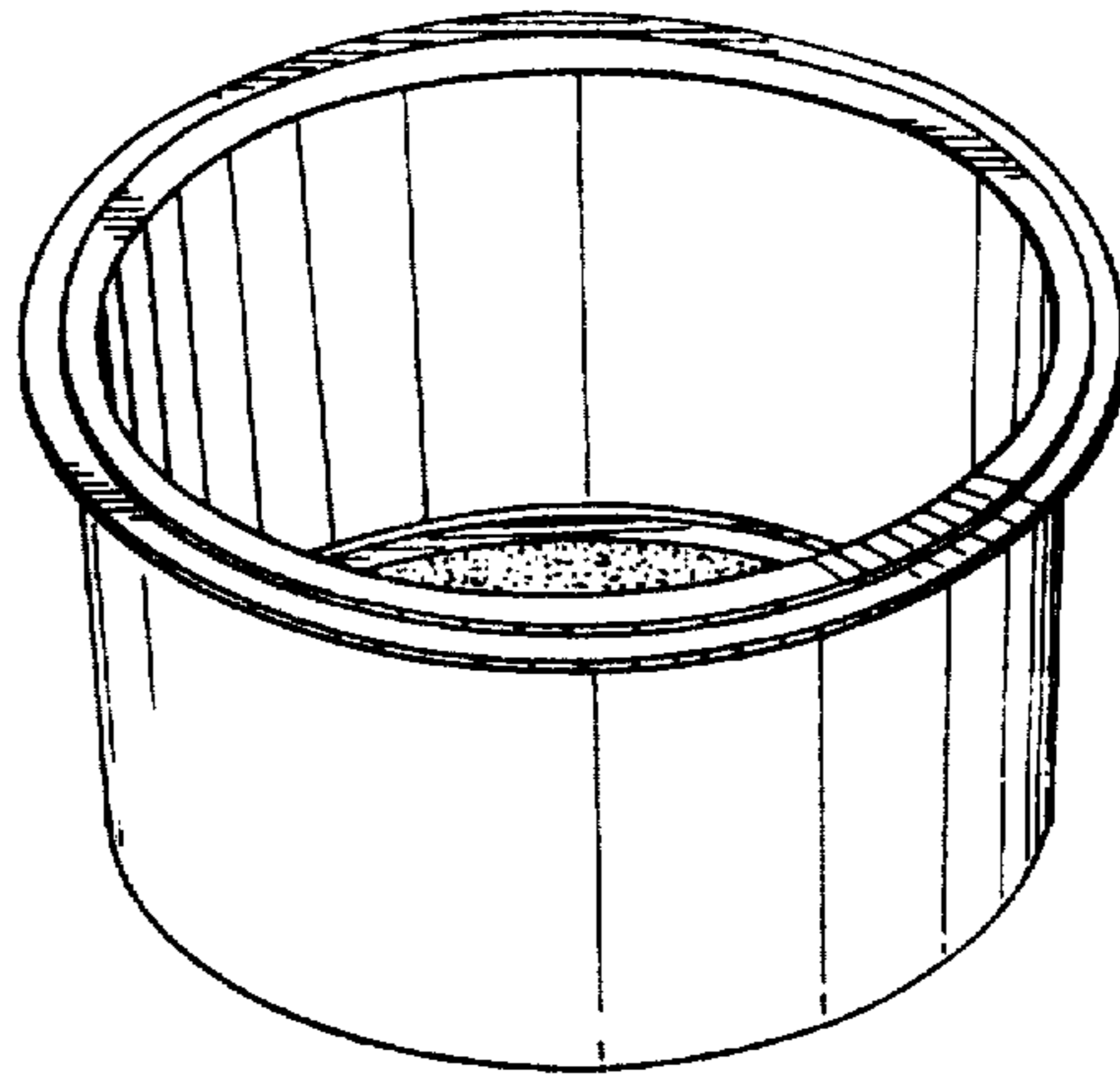


FIG. 1

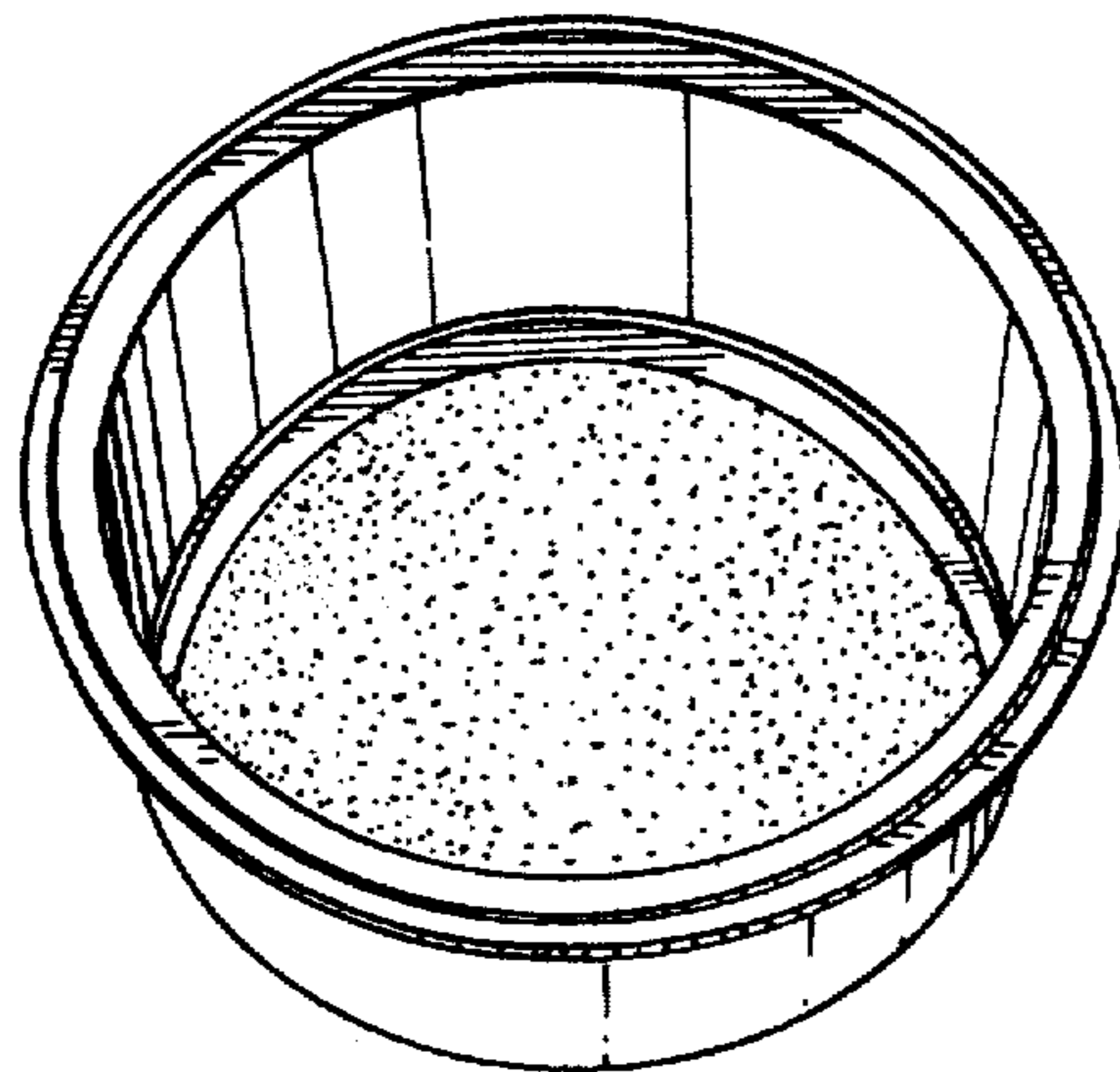


FIG. 2

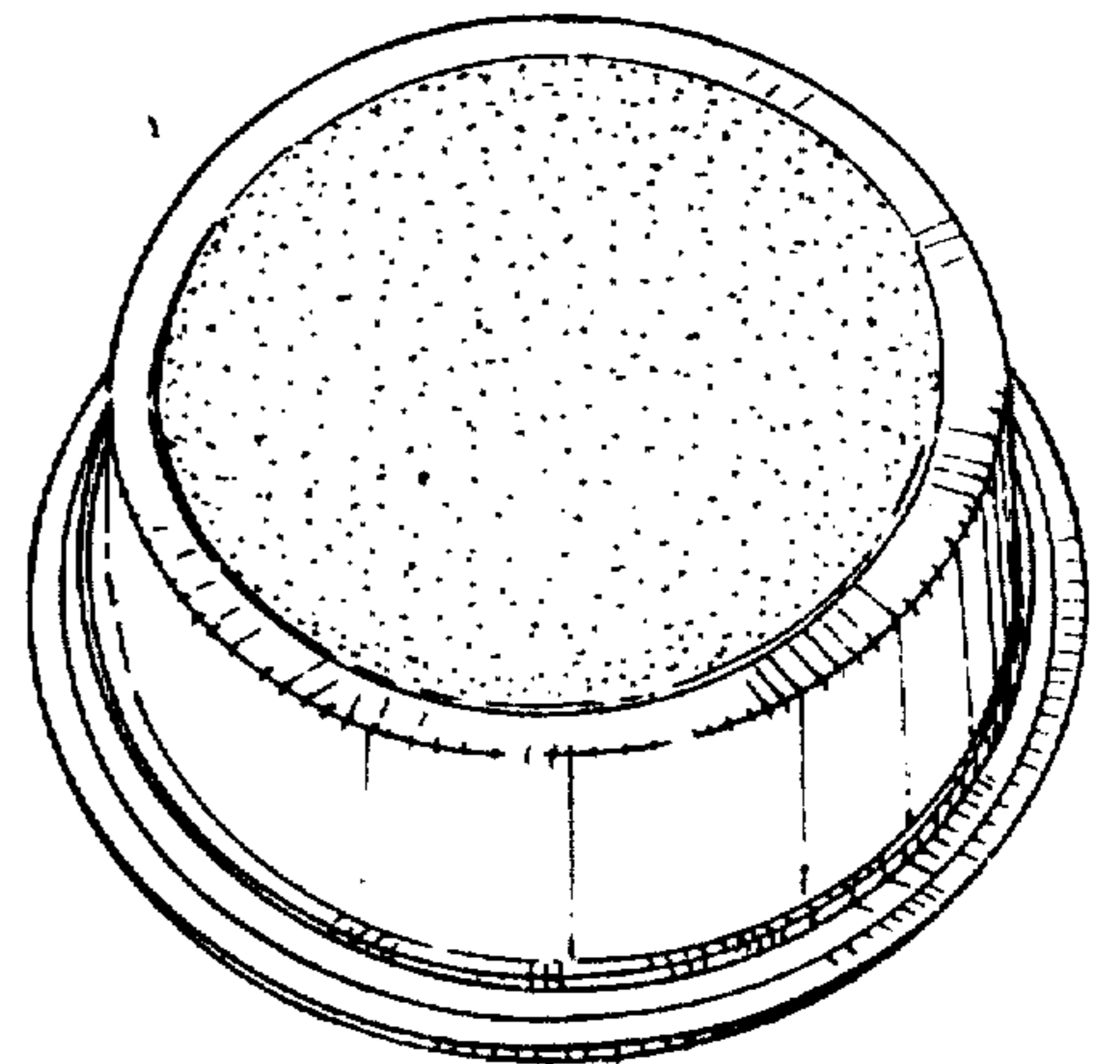


FIG. 3

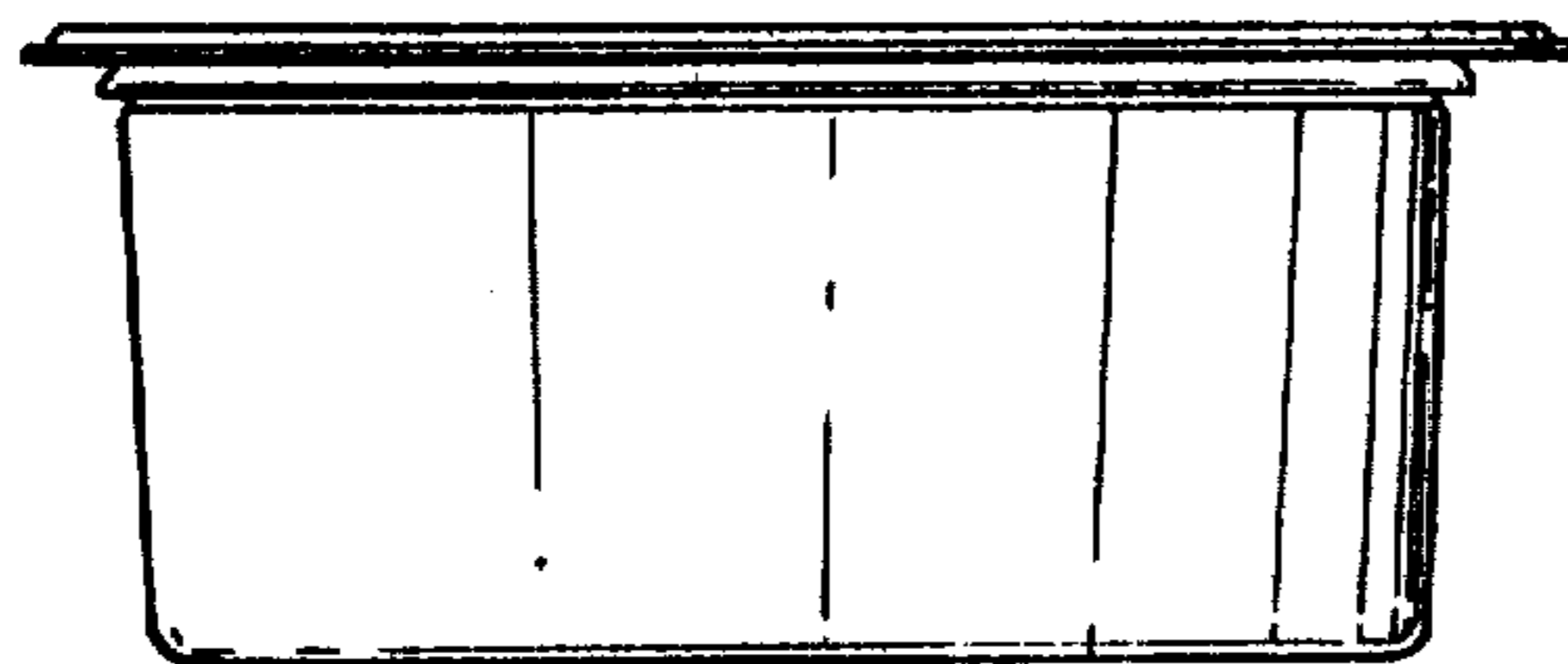


FIG. 4

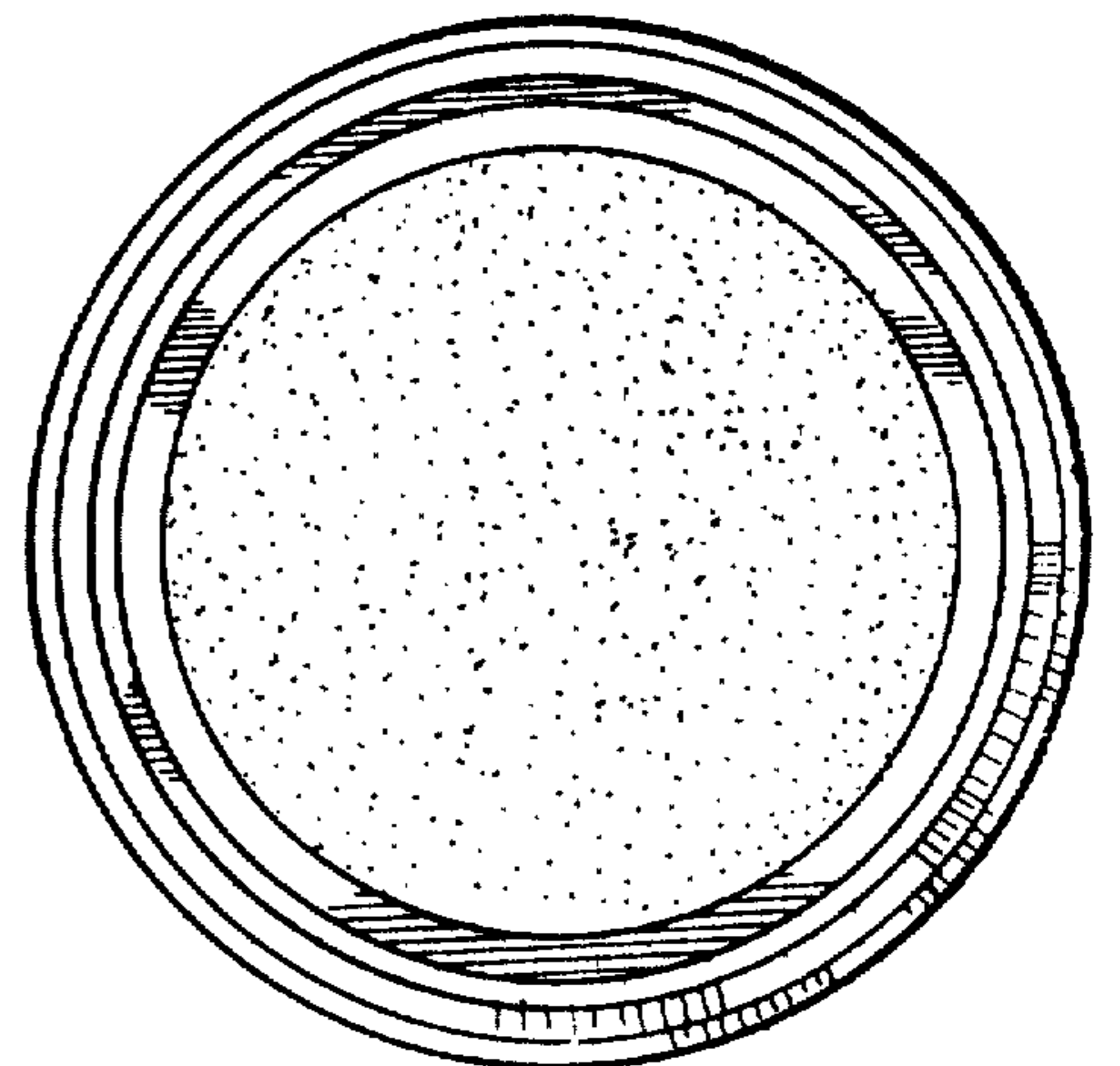


FIG. 5