

[54] COASTER

[75] Inventor: Maxine C. Friedman, Atlanta, Ga.

[73] Assignee: PCC Enterprises, Inc., Atlanta, Ga.

[**] Term: 14 Years

[21] Appl. No.: 207,121

[22] Filed: Nov. 17, 1980

[51] Int. Cl. D07-06

[52] U.S. Cl. D7/45

[58] Field of Search D7/45, 70; 215/100.5; 248/346.1; 220/23.86

[56] References Cited

U.S. PATENT DOCUMENTS

D. 149,232	4/1948	Stafford	D27/21
D. 252,310	7/1979	Shannon	D7/70
2,874,498	2/1959	Butkevich	40/152
3,363,869	1/1968	Blundell	D7/45 X
4,204,598	5/1980	Adams	215/100.5 X

FOREIGN PATENT DOCUMENTS

340079 12/1930 United Kingdom 215/100.5 X

OTHER PUBLICATIONS

Housewares, Jun. 1975, p. 29, Coaster Set shown by Lipper International.

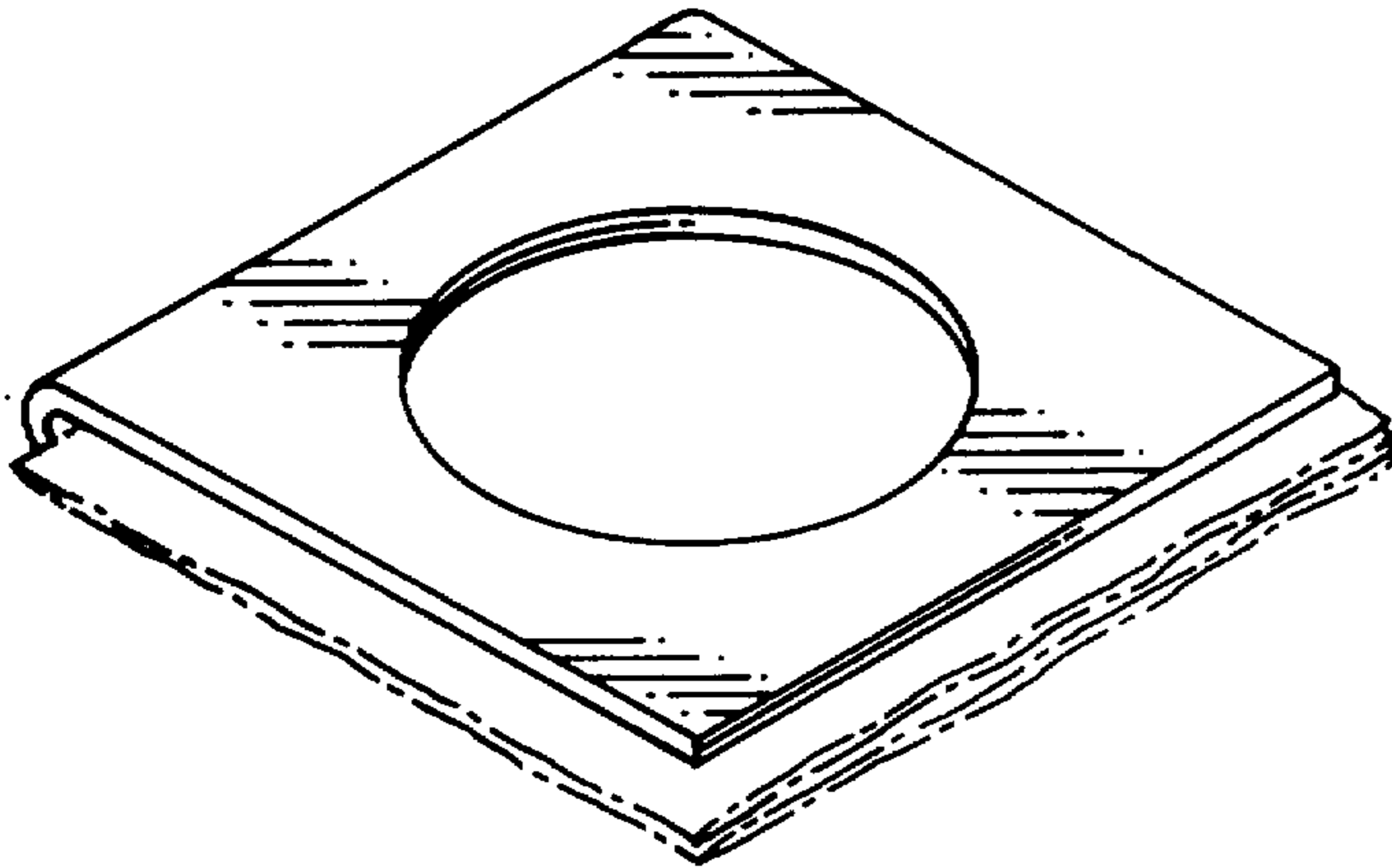
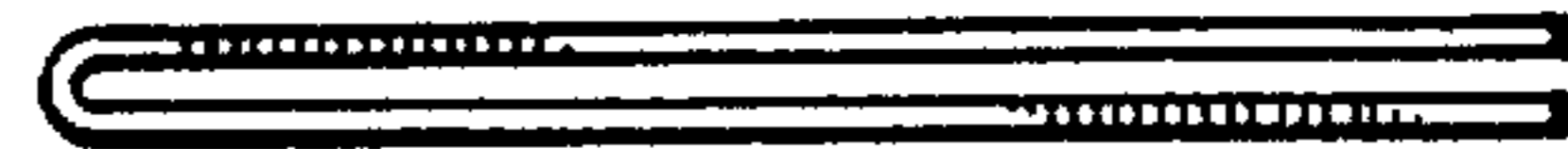
Primary Examiner—Winifred E. Herrmann
Attorney, Agent, or Firm—Patrick F. Henry

[57] CLAIM

The ornamental design for a coaster, as shown and described.

DESCRIPTION

FIG. 1 is a top perspective view of a coaster showing my new design;
FIG. 2 is a similar perspective view thereof with a conventional napkin shown in broken lines for illustrative purposes only;
FIG. 3 is a top plan view thereof;
FIG. 4 is a side elevational view thereof, the side opposite being a mirror image thereof;
FIG. 5 is a bottom plan view thereof; and
FIG. 6 is a front elevational view thereof.



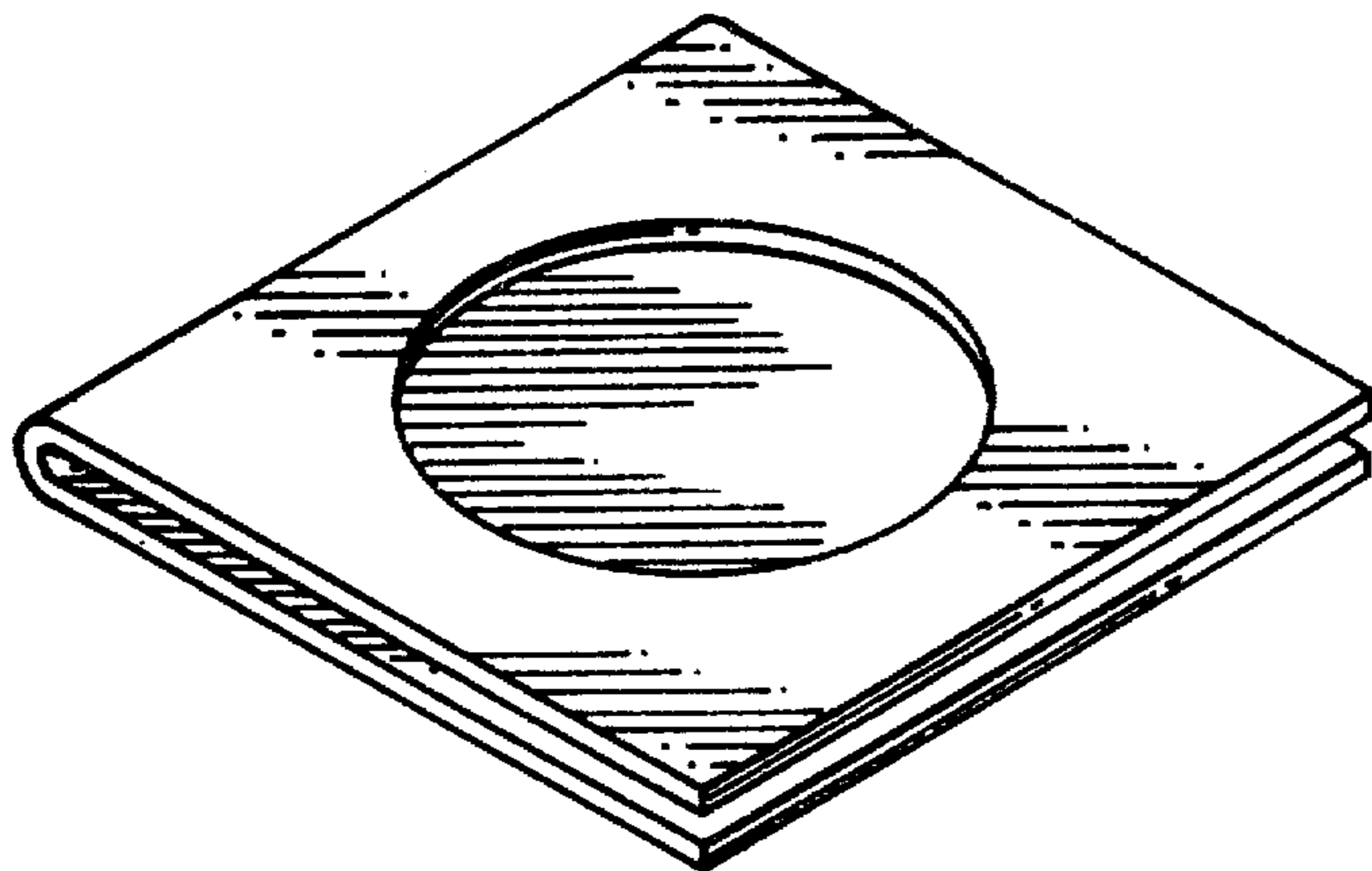


FIG. 1

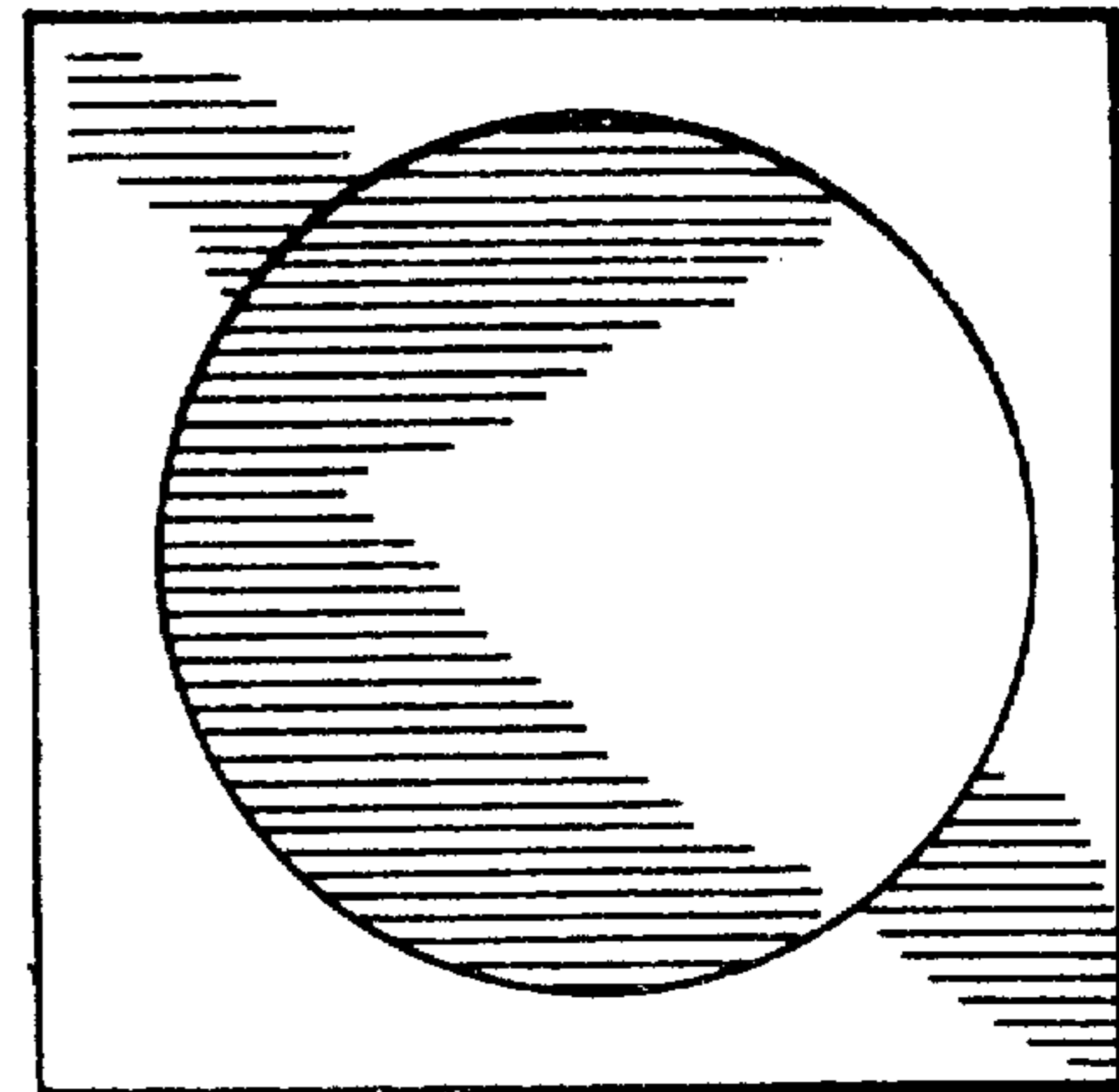


FIG. 3



FIG. 4

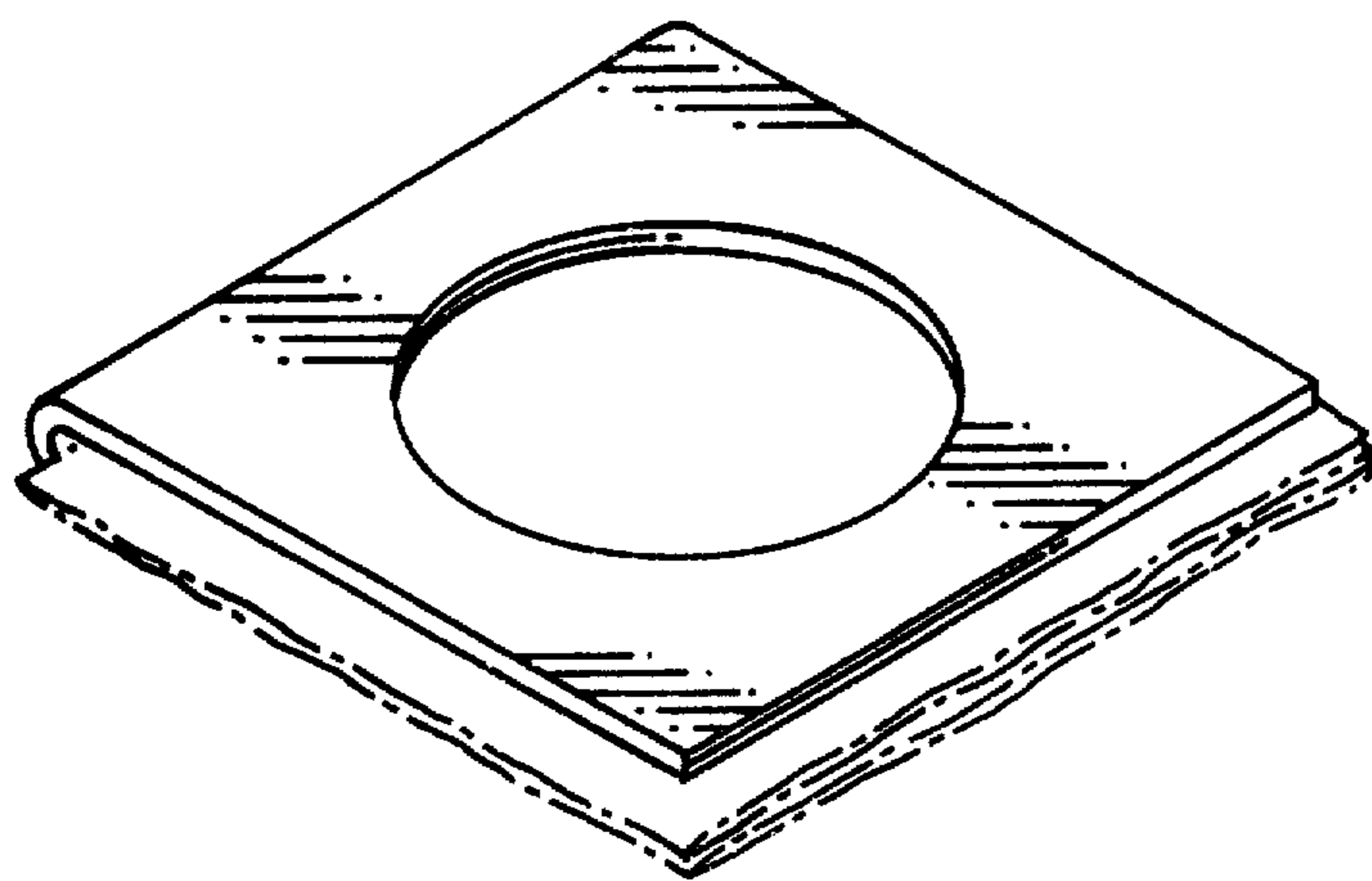


FIG. 2

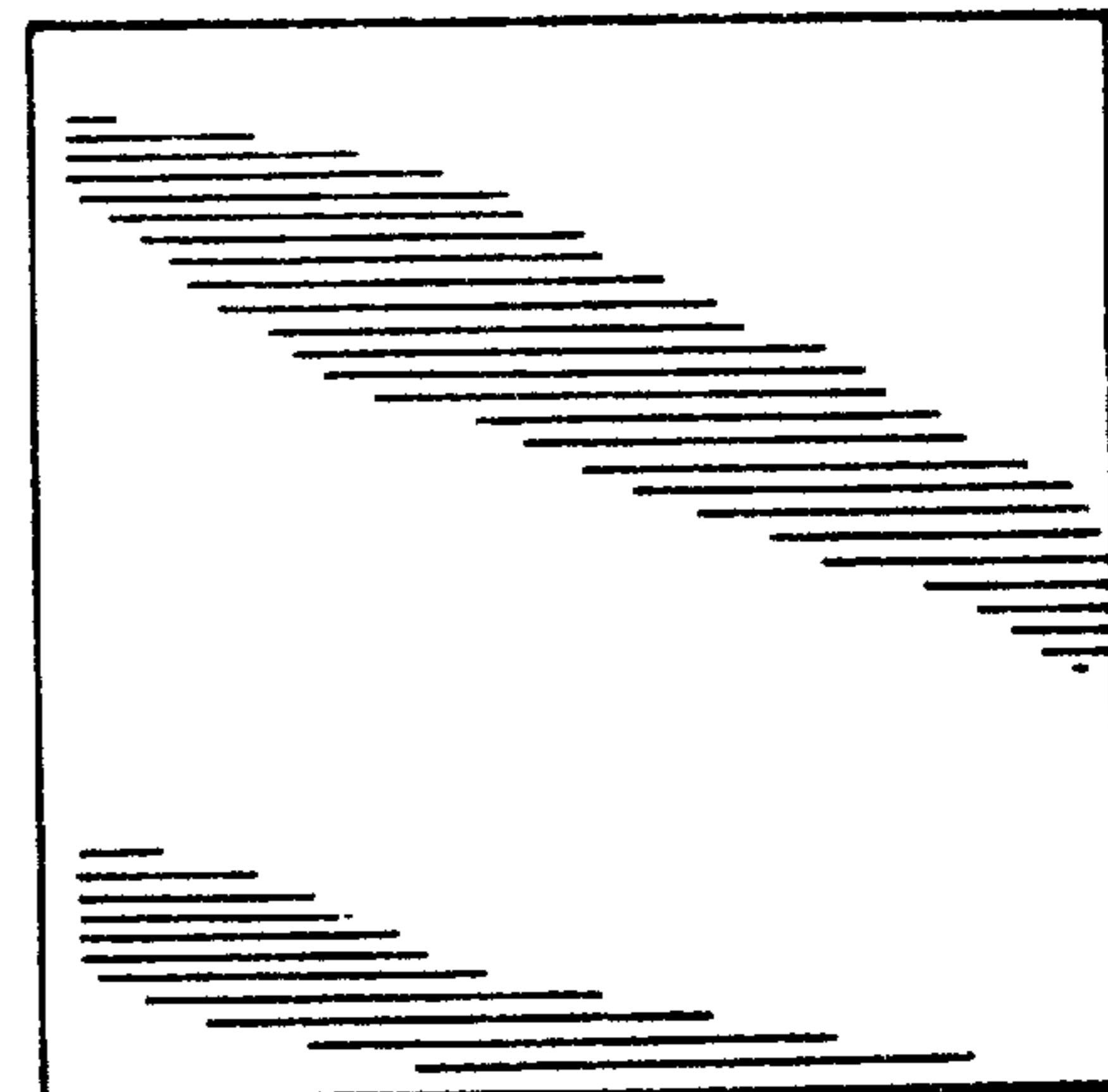


FIG. 5

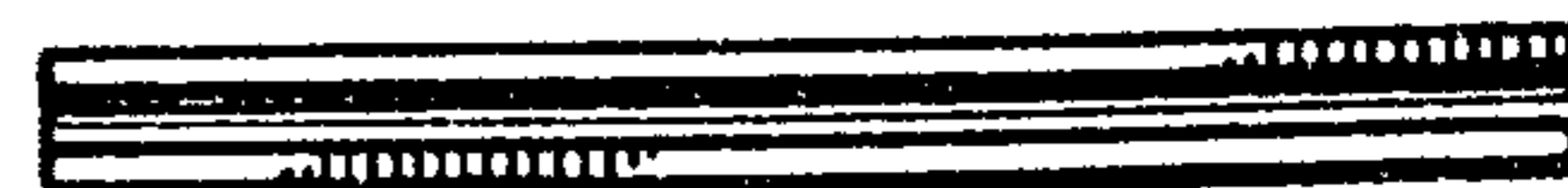


FIG. 6