

[54] CUP OR SIMLAR ARTICLE

[75] Inventor: James L. Thrush, Lancaster, Ohio

[73] Assignee: Anchor Hocking Corporation, Lancaster, Ohio

[\*\*] Term: 14 Years

[21] Appl. No.: 371,936

[22] Filed: Apr. 26, 1982

Related U.S. Application Data

[62] Division of Ser. No. 140,180, Apr. 14, 1980, Pat. No. Des. 267,697.

[51] Int. Cl. .... D7-01

[52] U.S. Cl. .... D7/9; D7/14

[58] Field of Search ..... D7/9, 10, 28, 3, 17, D7/23, 13, 6-8, 11-15

[56] References Cited

U.S. PATENT DOCUMENTS

D. 182,376	3/1958	Moslo	.....	D7/14
D. 184,518	3/1959	Folley	.....	D7/9
D. 184,976	4/1959	Bloch	.....	D7/14
D. 215,459	9/1969	Benes	.....	D7/9
D. 242,415	11/1976	Benes	.....	D7/9
D. 249,919	10/1978	Thrush	.....	D7/14

OTHER PUBLICATIONS

Monongah Glass Company, Apr. 1, 1920, Cat. #6, p. 321, No. 10027/Table Line, "Custard", right col., 3rd down.

Primary Examiner—Winifred E. Herrmann  
Attorney, Agent, or Firm—Holland, Armstrong, Wilkie & Previto

[57] CLAIM

The ornamental design for a cup or similar article, substantially as shown and described.

DESCRIPTION

FIG. 1 is an elevational view of a cup or similar article showing my new design;

FIG. 2 is a bottom view thereof;

FIG. 3 is a sectional view taken along line 3—3 of FIG. 1;

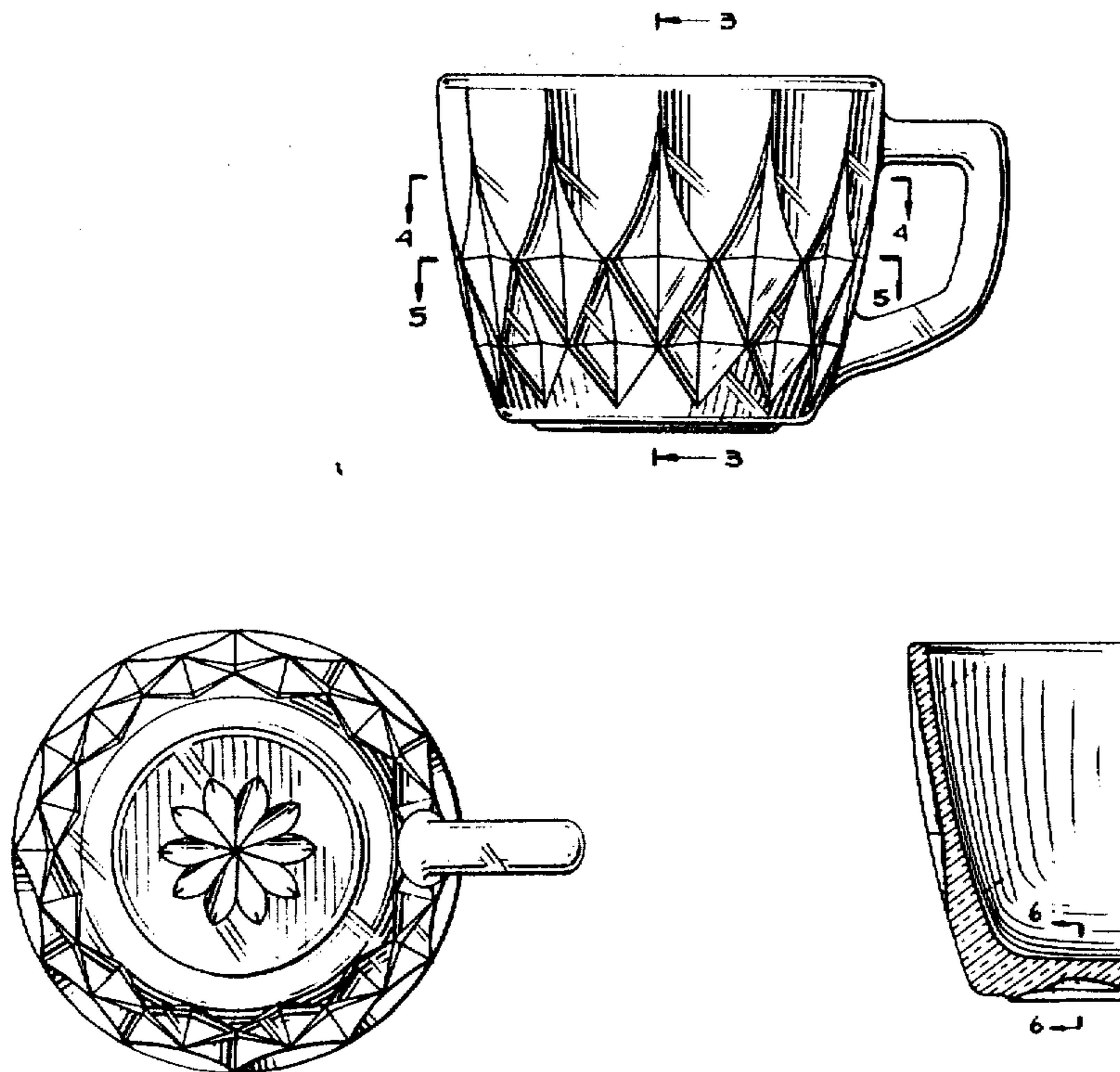
FIG. 4 is a sectional view taken along line 4—4 of FIG. 1;

FIG. 5 is a sectional view taken along line 5—5 of FIG. 1; and

FIG. 6 is a sectional view taken along line 6—6 of FIG. 3.

The handle has been eliminated from FIGS. 4 and 5 for convenience of illustration.

The facets that would be visible through the transparent walls and base in FIGS. 3, 4, and 5 have been omitted for convenience of illustration.



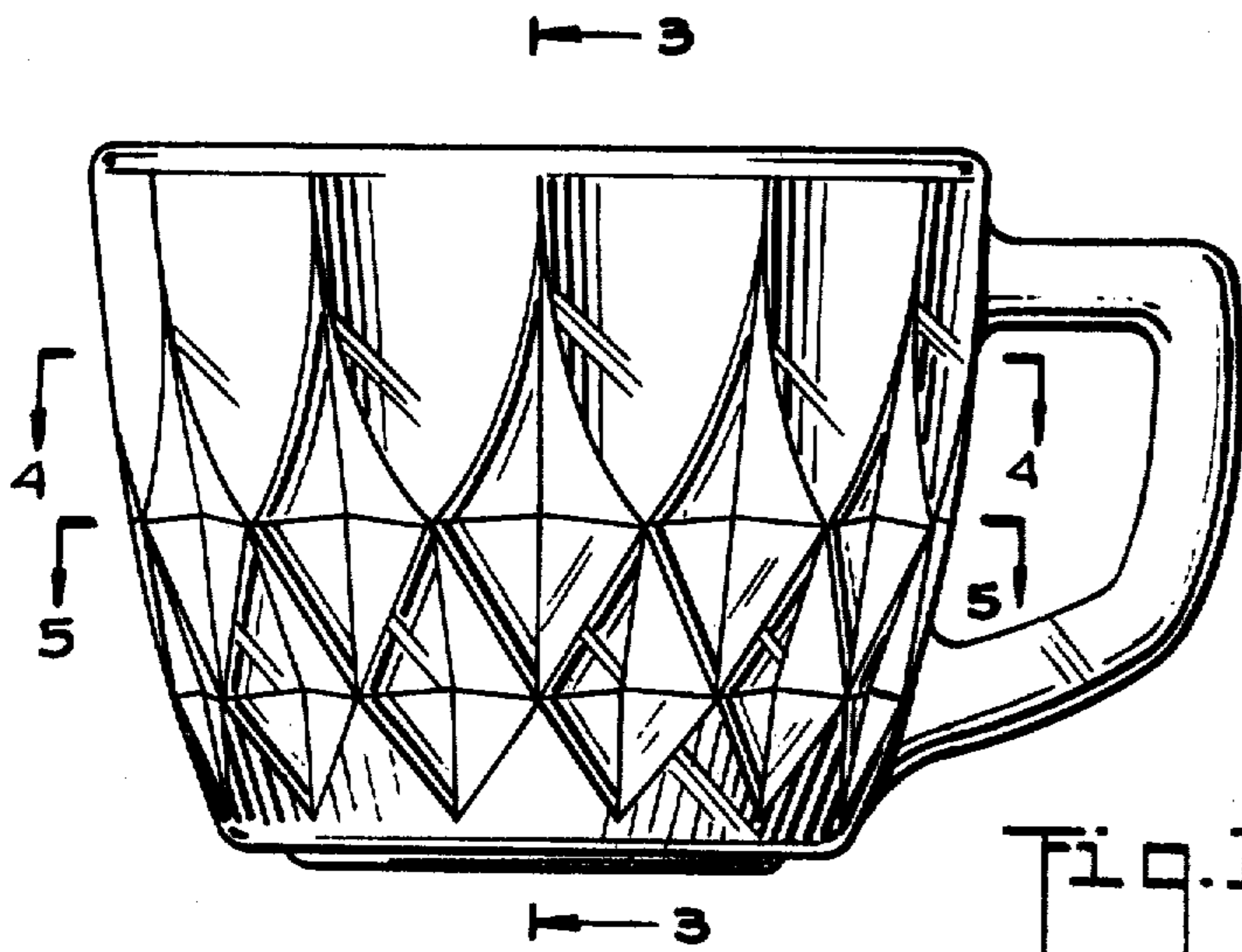


Fig. 1.

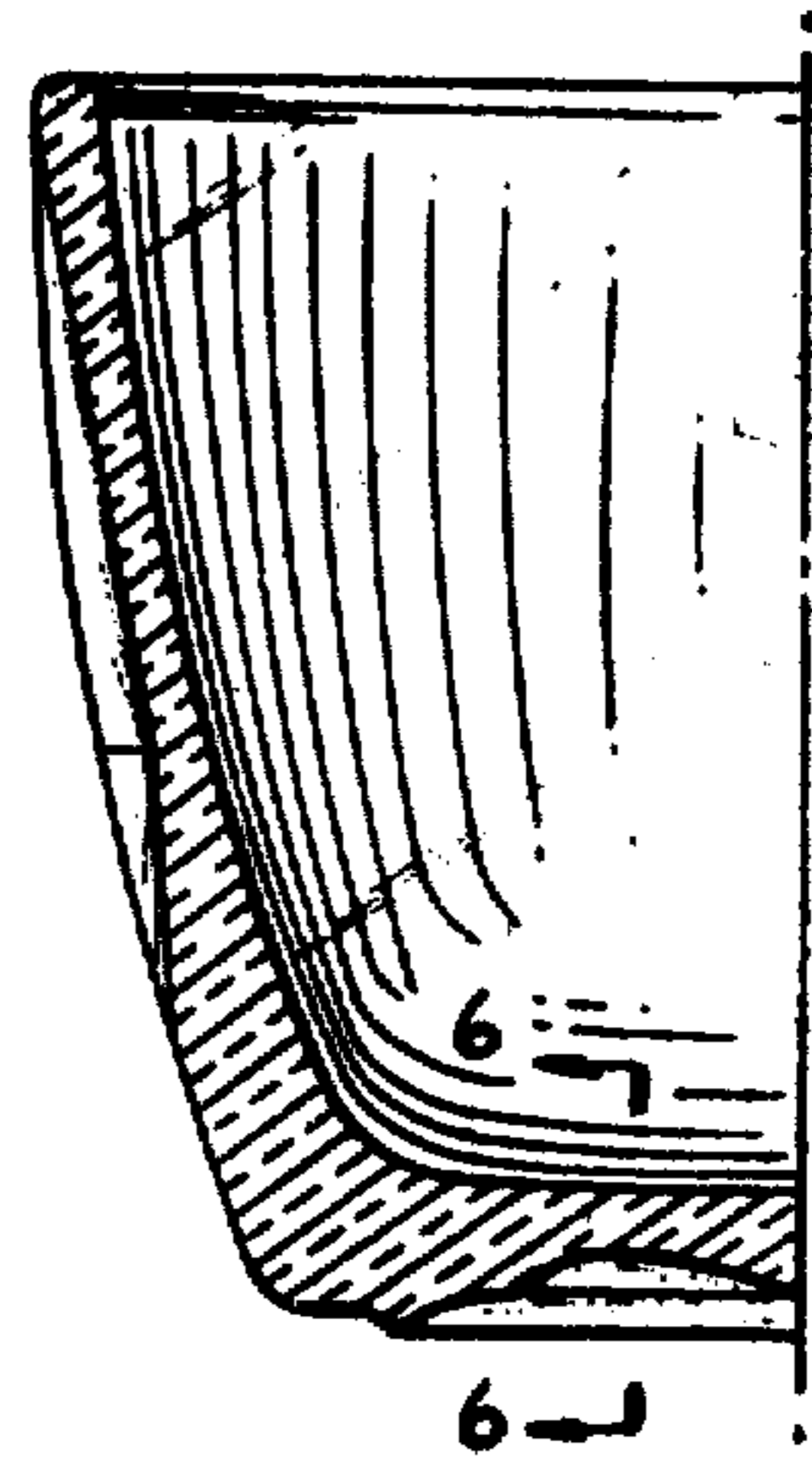


Fig. 3.

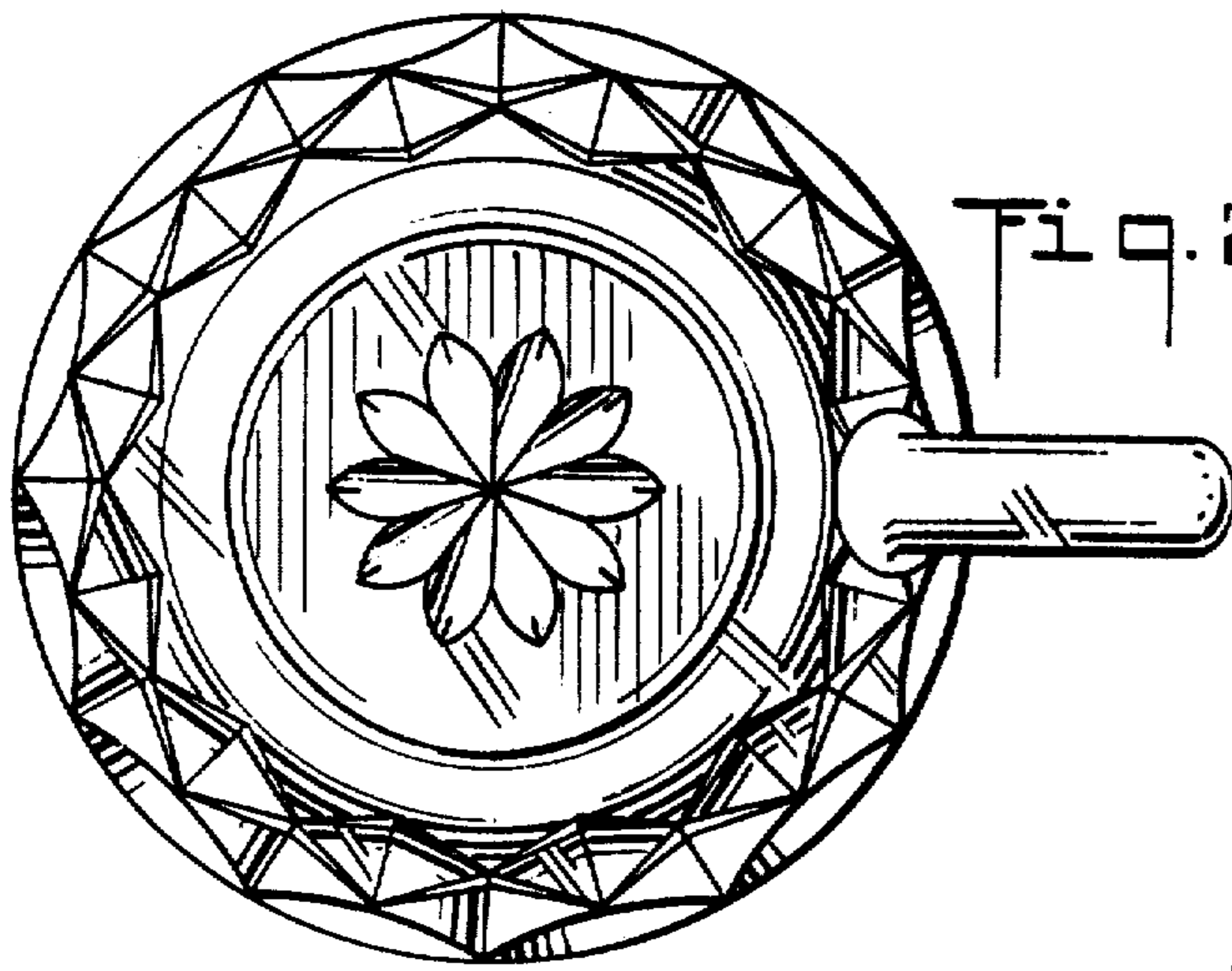


Fig. 2.

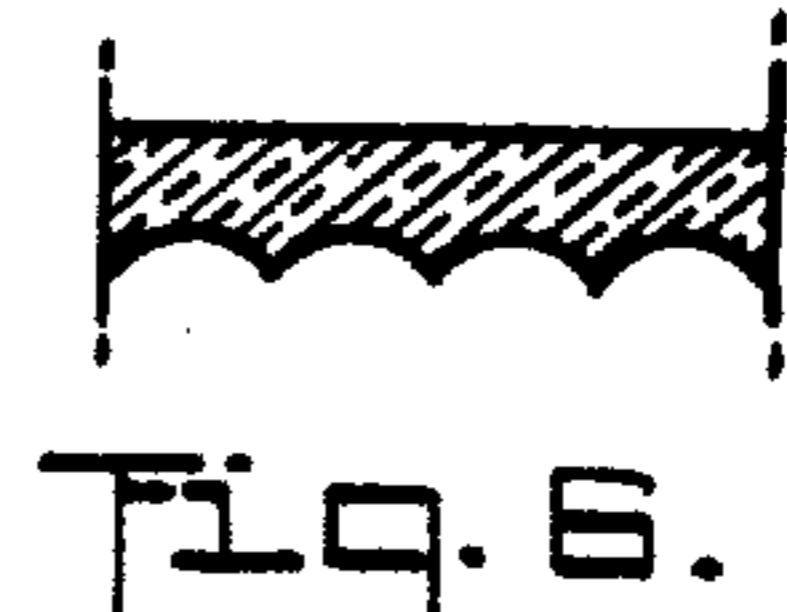


Fig. 6.

Fig. 4.

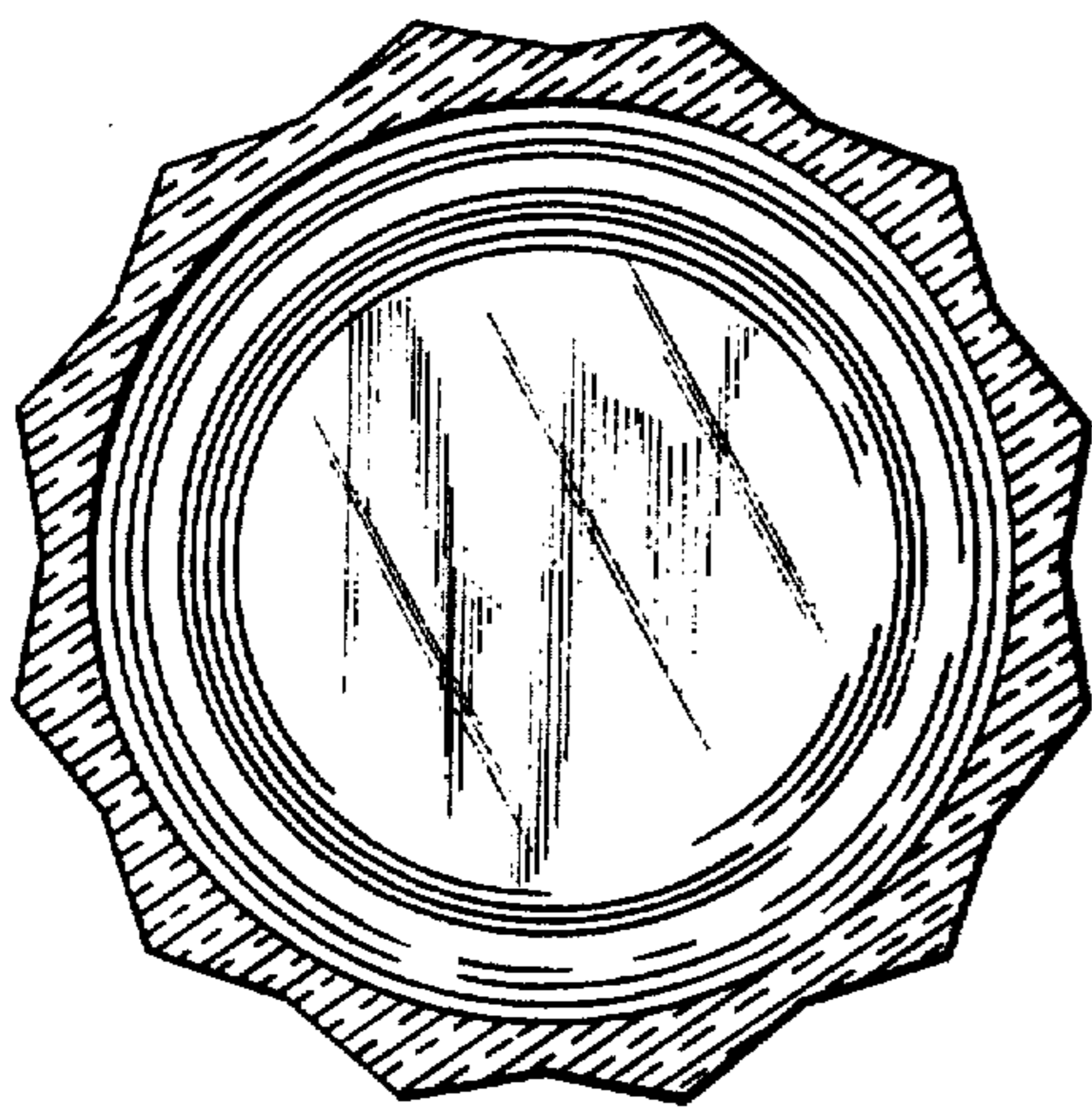


Fig. 5.

