

[54] **ROTATABLE TRAY AND SUPPORT**  
 [76] **Inventor:** George W. Thorne, 2625 Sea Island, Fort Lauderdale, Fla. 33301  
 [\*\*] **Term:** 14 Years  
 [21] **Appl. No.:** 253,792  
 [22] **Filed:** Apr. 13, 1981  
 [51] **Int. Cl.** ..... D06—06; D07—99  
 [52] **U.S. Cl.** ..... D6/199; D7/38; D7/70  
 [58] **Field of Search** ..... D6/199, 42; D7/37, 19, D7/38, 21, 71, 70; D3/40

2,763,378 9/1956 Black ..... D7/38 X  
 3,850,398 11/1974 Kantor ..... D7/38 X

*Primary Examiner*—Winifred E. Herrmann  
*Attorney, Agent, or Firm*—Wolf, Greenfield & Sacks

[57] **CLAIM**

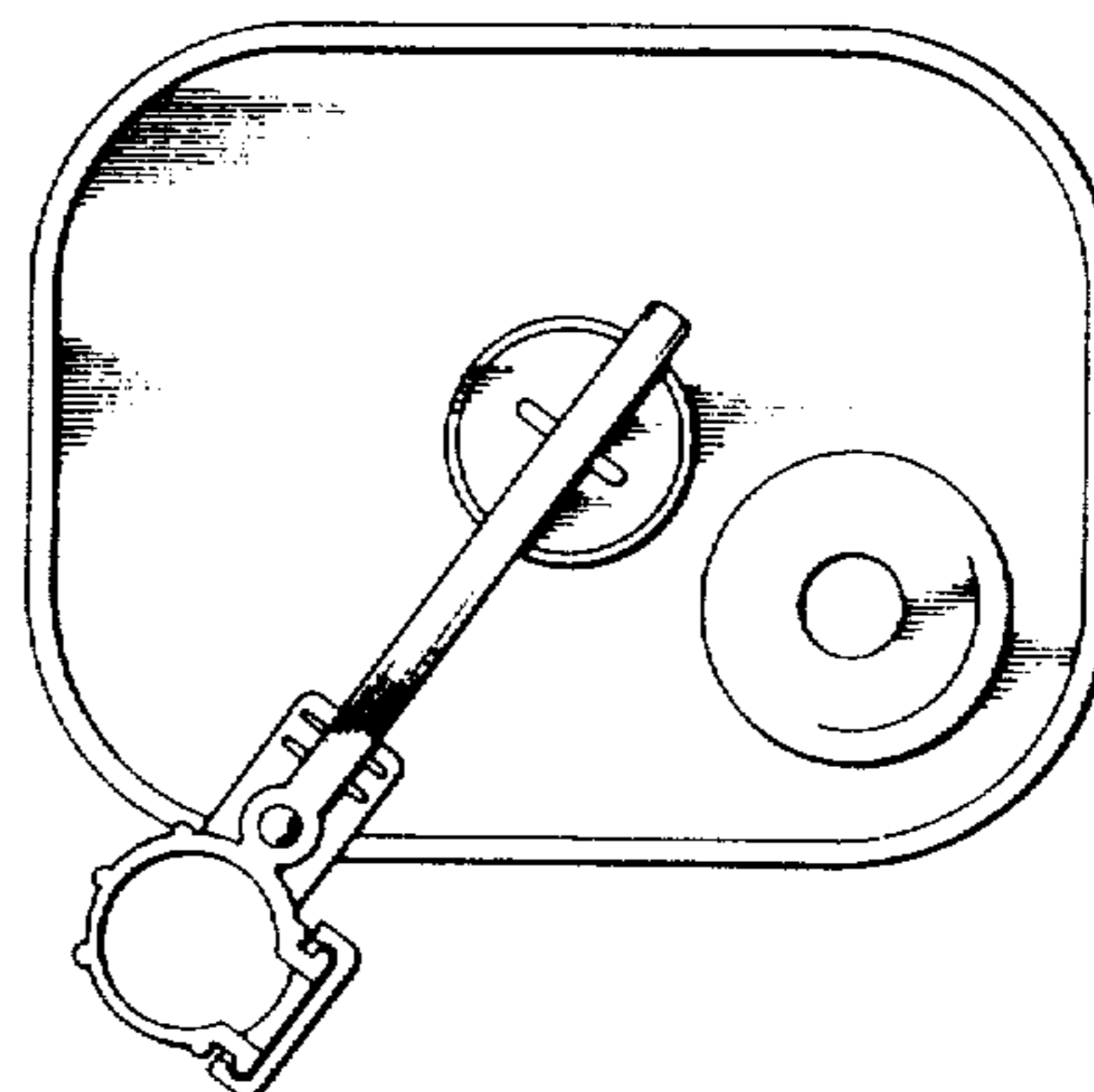
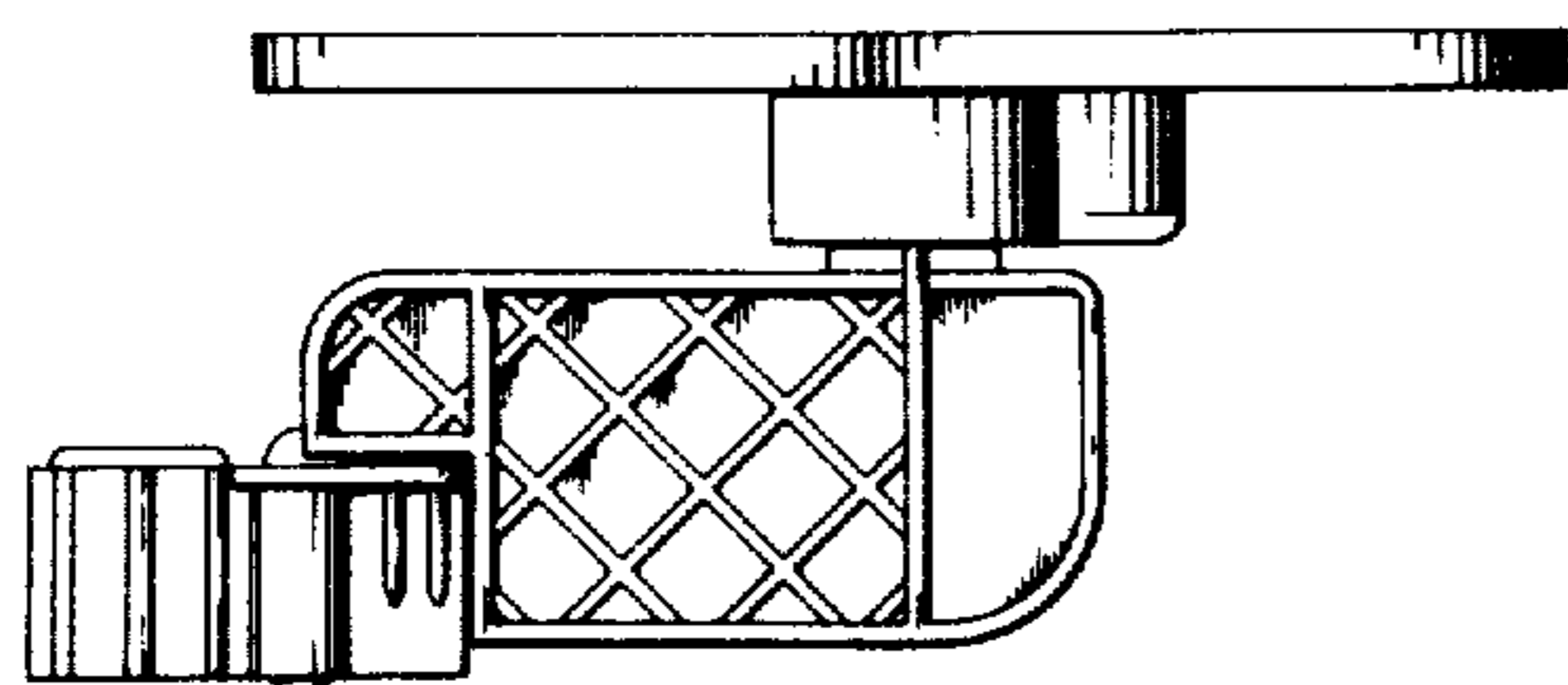
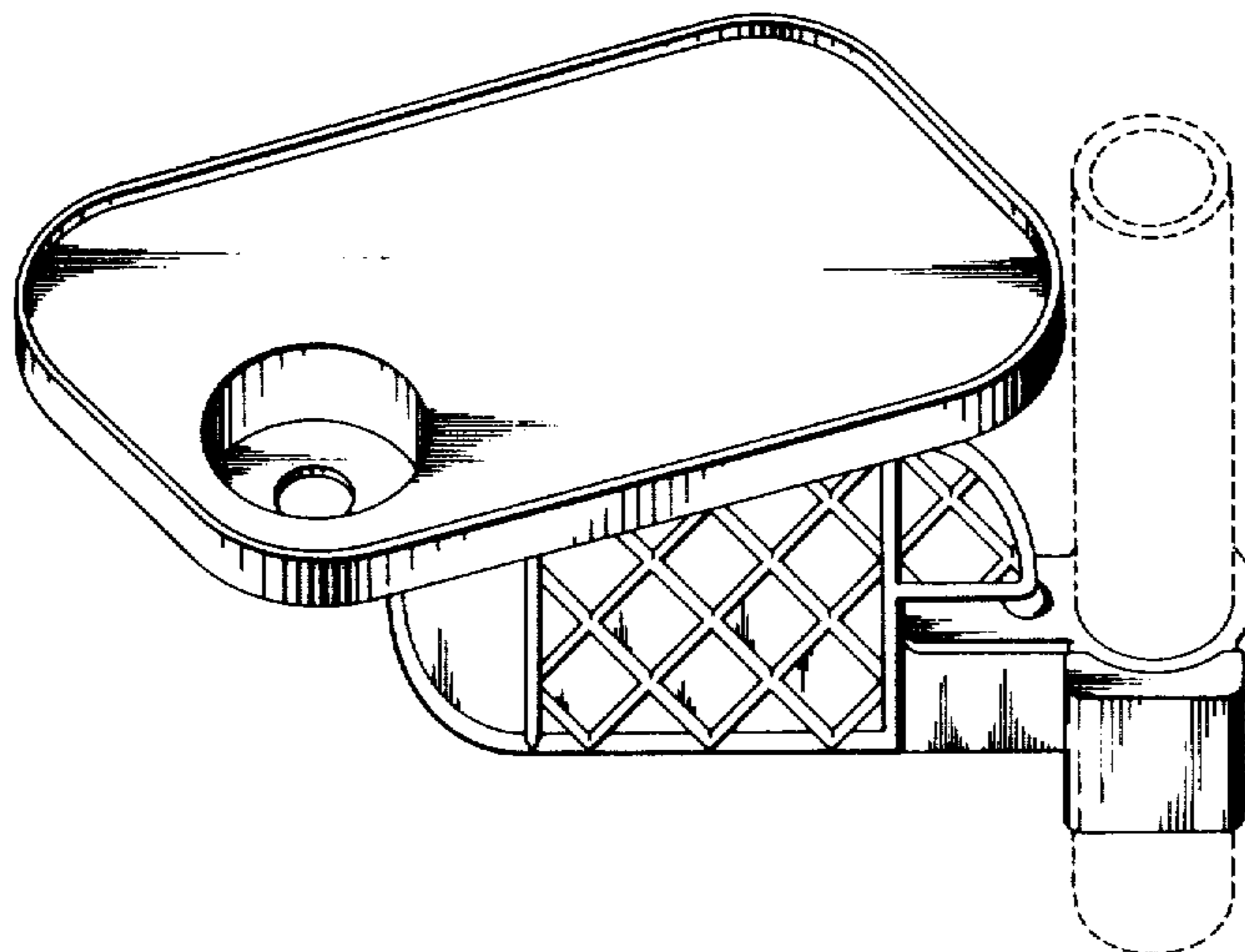
The ornamental design for a rotatable tray and support, as shown and described.

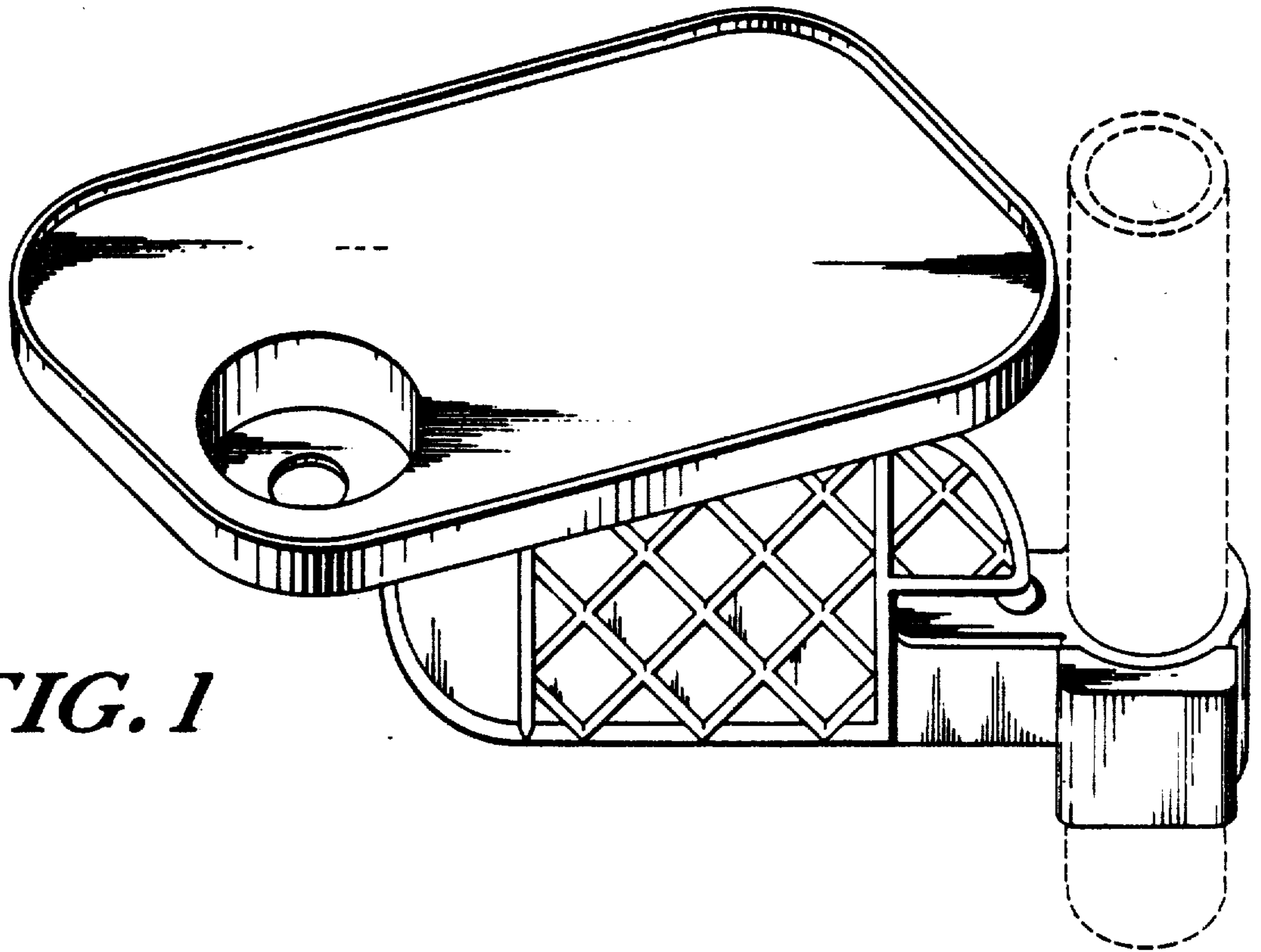
**DESCRIPTION**

FIG. 1 is a top perspective view of a rotatable tray and support showing my new design, the broken line vertical tubular member being illustrative of environmental structure only;  
 FIG. 2 is a top plan view thereof;  
 FIG. 3 is a right side elevational view thereof;  
 FIG. 4 is a left side elevational view thereof;  
 FIG. 5 is a bottom plan view thereof; and  
 FIG. 6 is a front elevational view thereof.

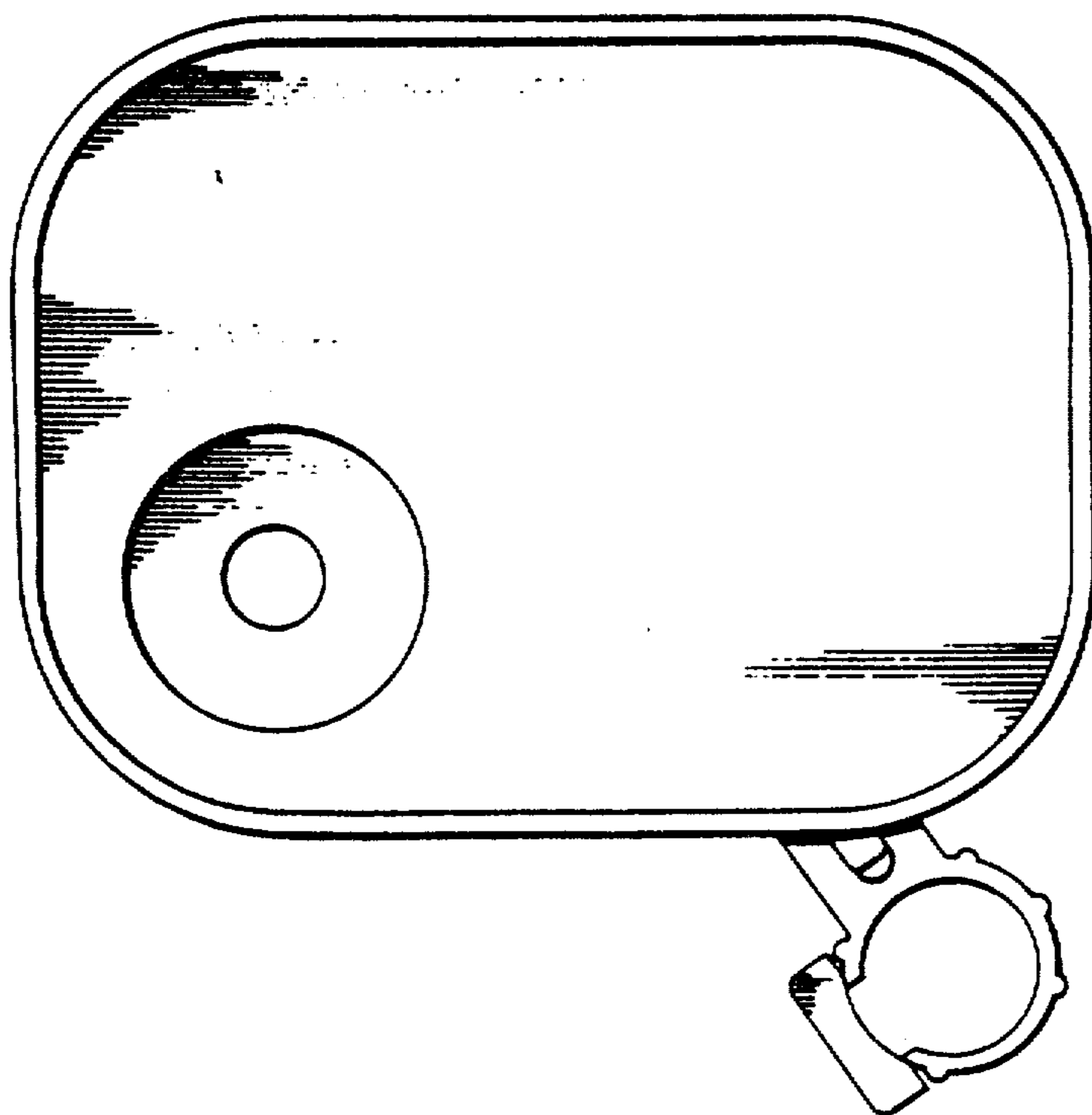
[56] **References Cited**  
**U.S. PATENT DOCUMENTS**

D. 177,324 4/1956 Hartman ..... D6/199  
 D. 233,948 12/1974 Seltzer ..... D7/38 X



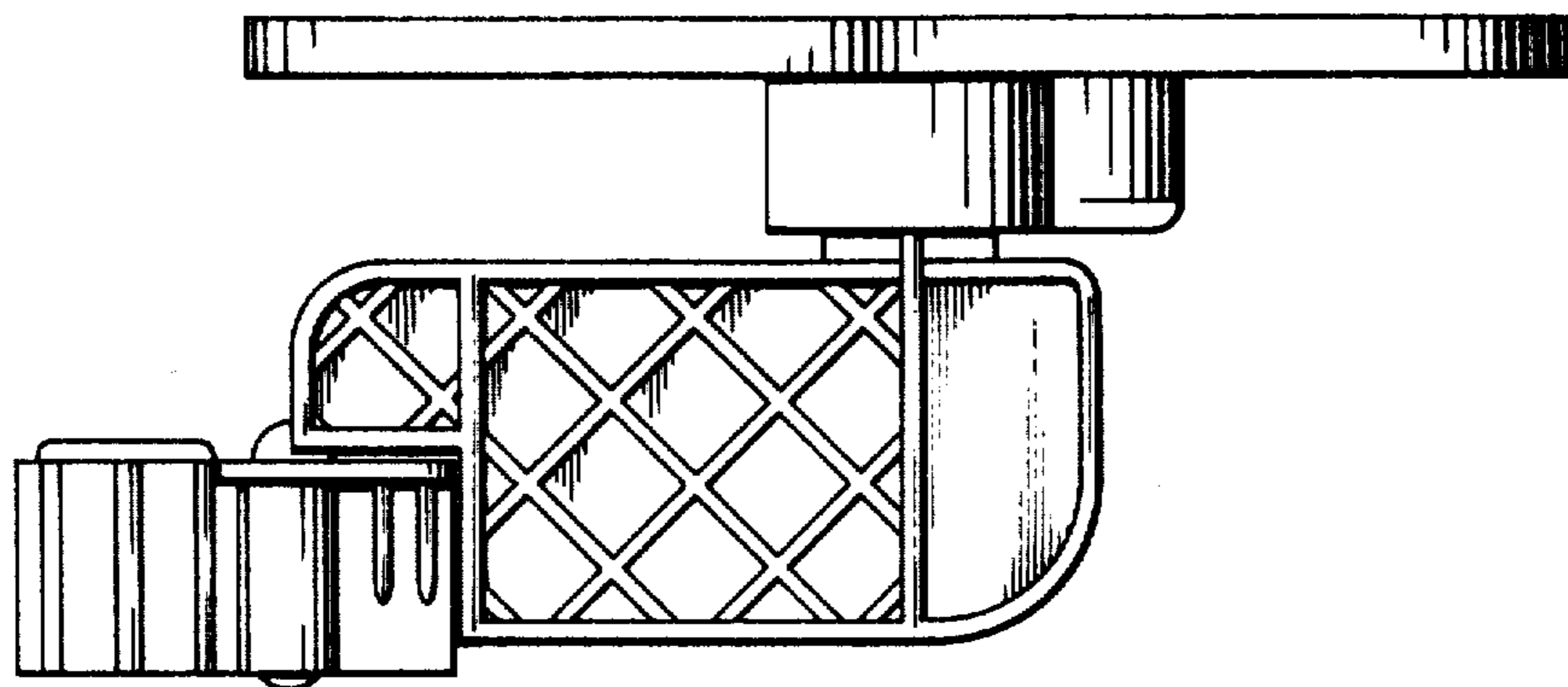


*FIG. 1*

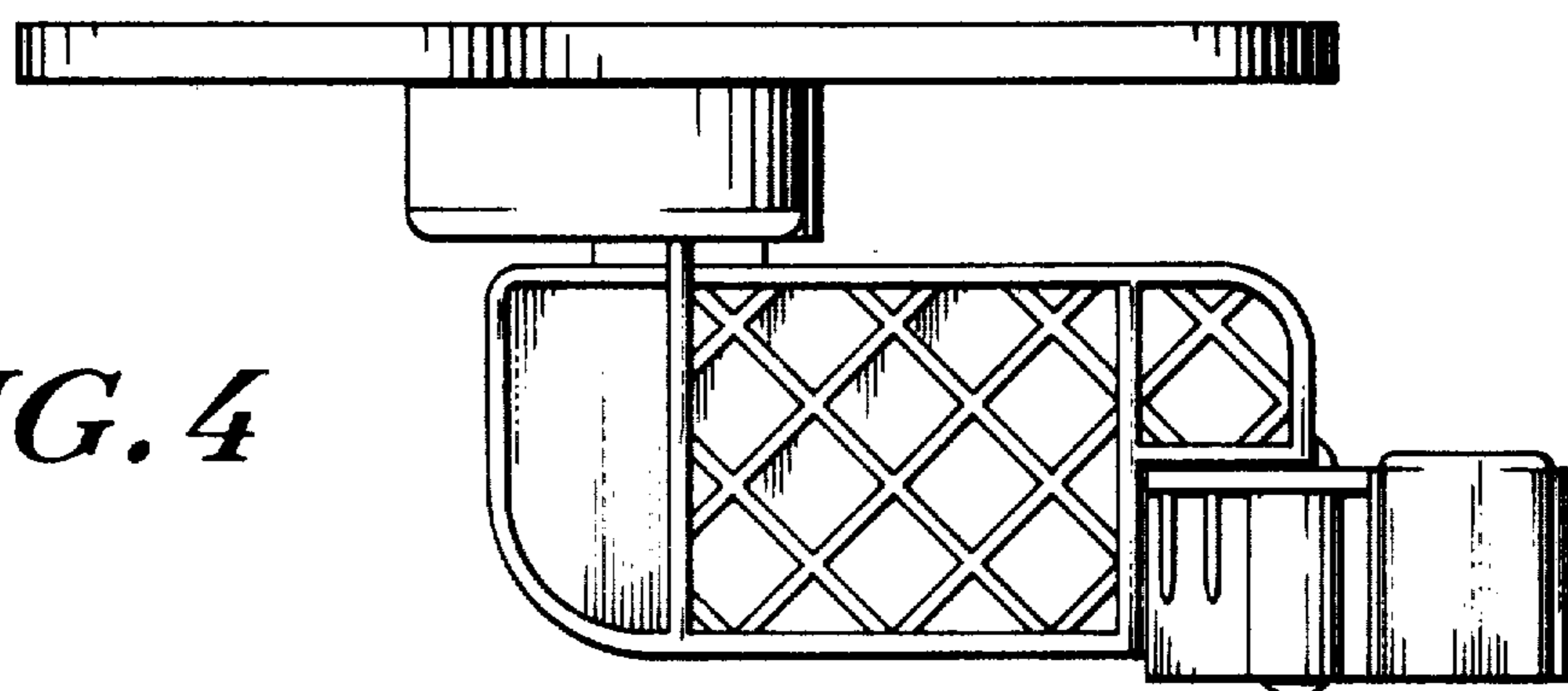


*FIG. 2*

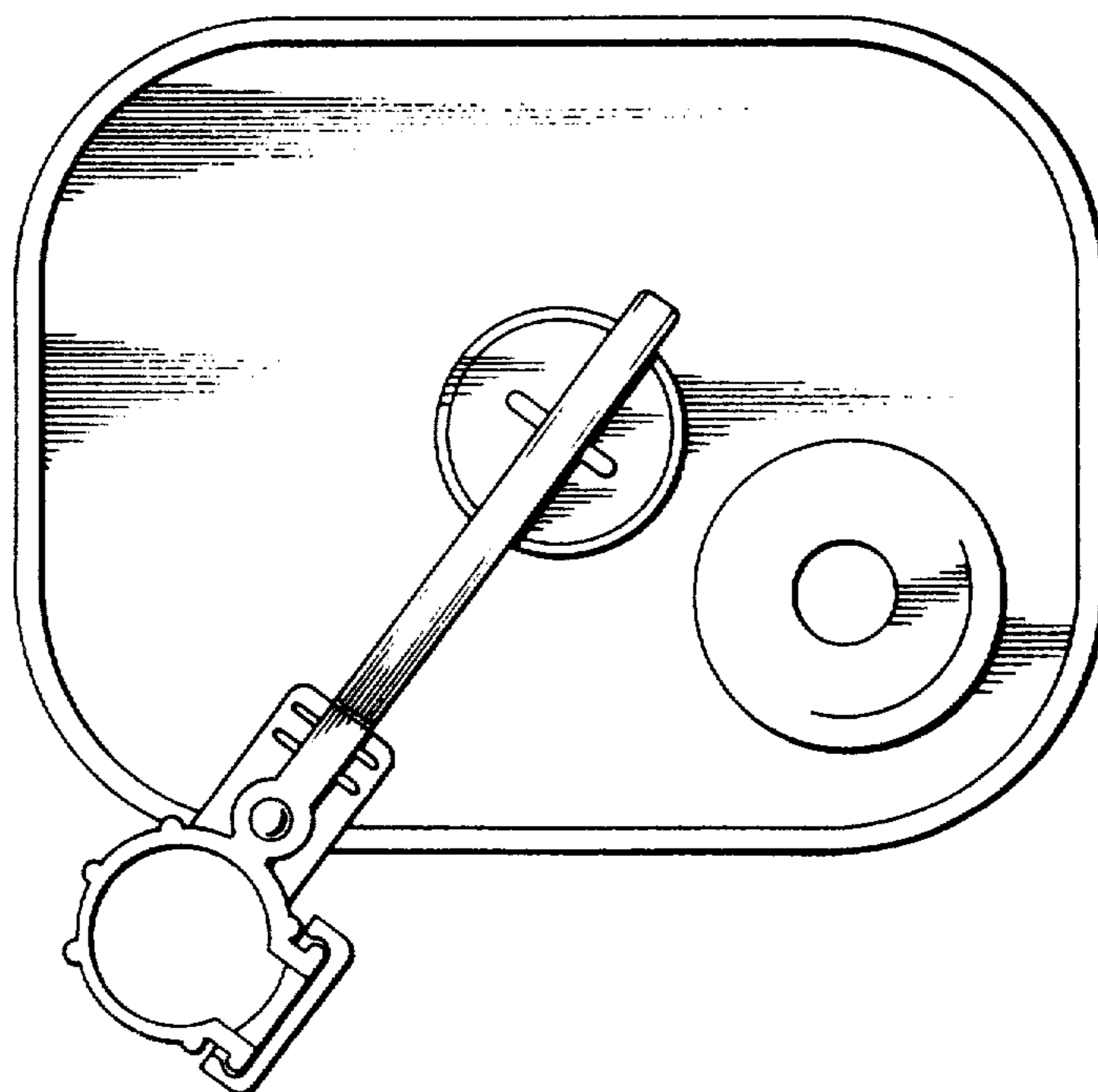
*FIG. 3*

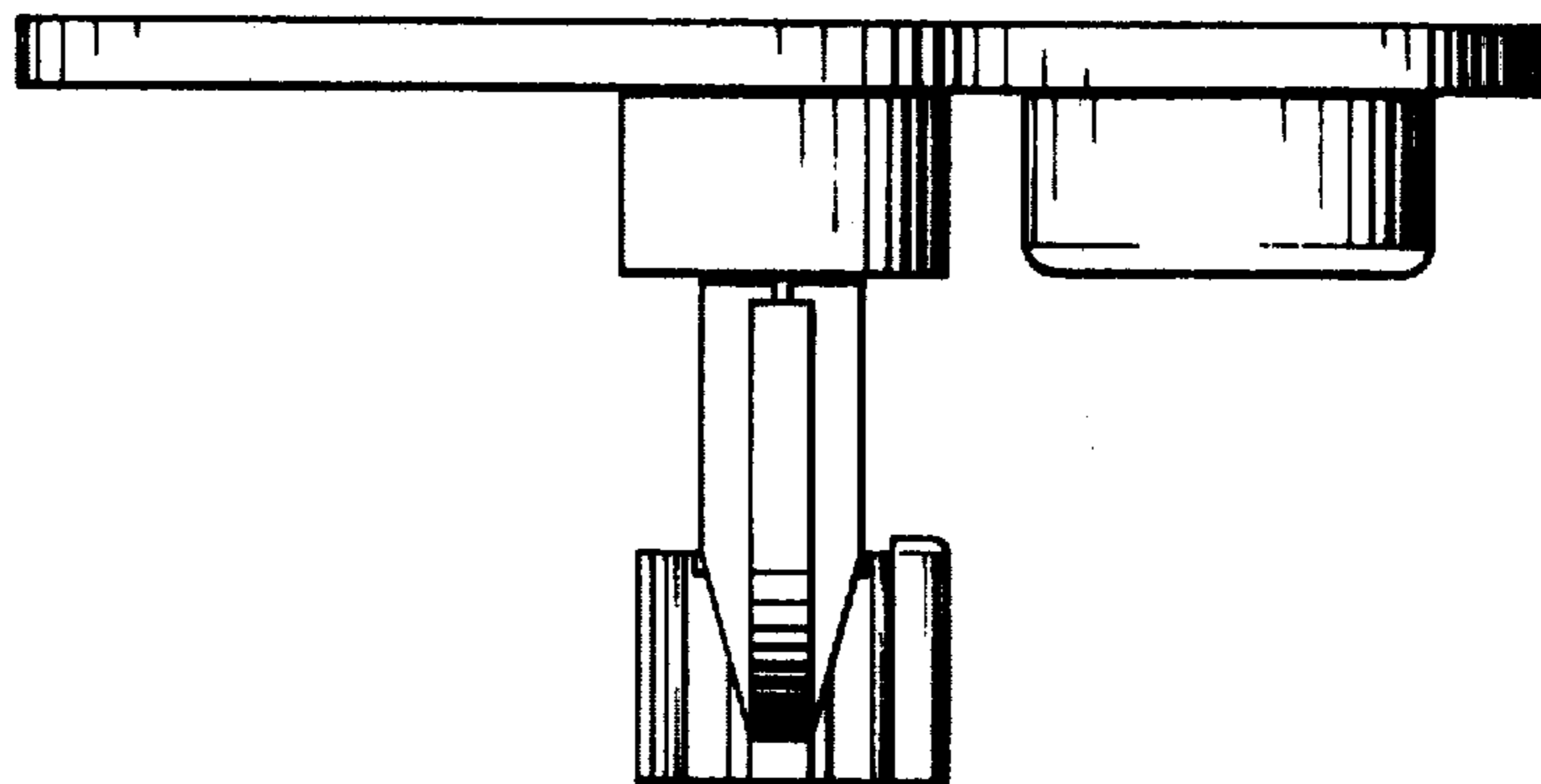


*FIG. 4*



*FIG. 5*





*FIG. 6*