

[54] MULTIPLE DESK UNIT

[76] Inventor: Devere P. Kent, 5720 S. Jordan Canal Rd., Salt Lake City, Utah 84118

[**] Term: 14 Years

[21] Appl. No.: 172,890

[22] Filed: Jul. 28, 1980

[51] Int. Cl. D06-04

[52] U.S. Cl. D6/146; D6/157; D6/159

[58] Field of Search D6/20, 25, 27, 29, 85, D6/146, 149, 157, 181, 186, 158, 159; 108/59, 60; 312/196, 287, 194, 223

[56] References Cited

U.S. PATENT DOCUMENTS

- D. 197,652 3/1964 Courtwright D6/157
- D. 199,399 10/1964 Lewis D6/157
- D. 218,176 7/1970 Des Marais D6/157

- D. 231,062 4/1974 Kramer D6/157
- D. 247,853 5/1978 Levine D6/157 X
- 2,970,874 2/1961 Honeycutt et al. 312/223
- 3,160,451 12/1964 Lewis 312/194
- 3,698,104 10/1972 Sutton 108/60 X
- 3,715,815 2/1973 Lewis 312/196 X

Primary Examiner—Joel Stearman
Assistant Examiner—Carmen H. Vales
Attorney, Agent, or Firm—H. Ross Workman; Allen R. Jensen; Drew S. Hamilton

[57] CLAIM

The ornamental design for a multiple desk unit, as shown and described.

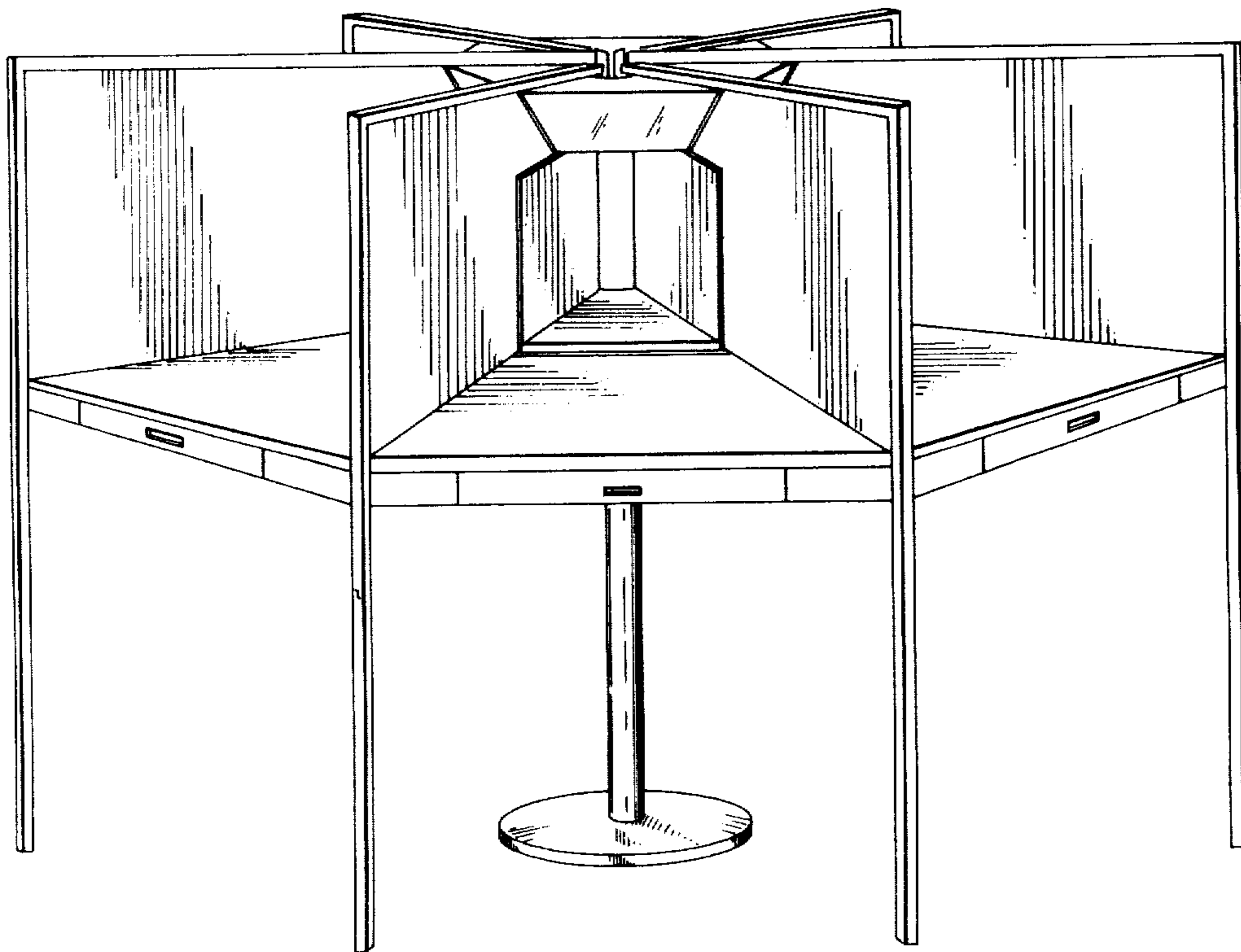
DESCRIPTION

FIG. 1 is a perspective view of a multiple desk unit showing my new design.

FIG. 2 is a reduced scale top plan view of FIG. 1.

FIG. 3 is a reduced scale front elevational view of FIG. 1.

FIG. 4 is a reduced scale bottom plan view of FIG. 1.



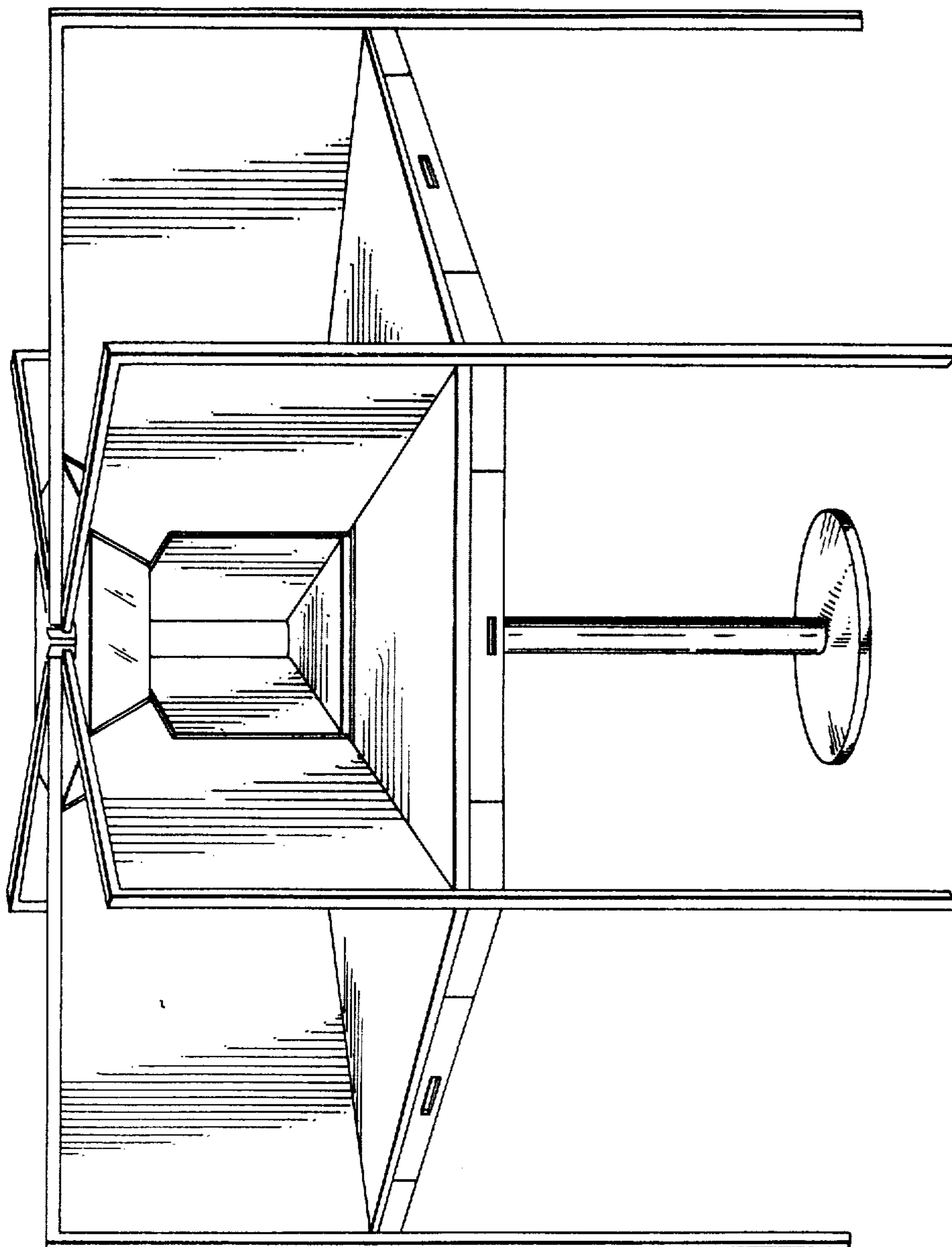


Fig. 1

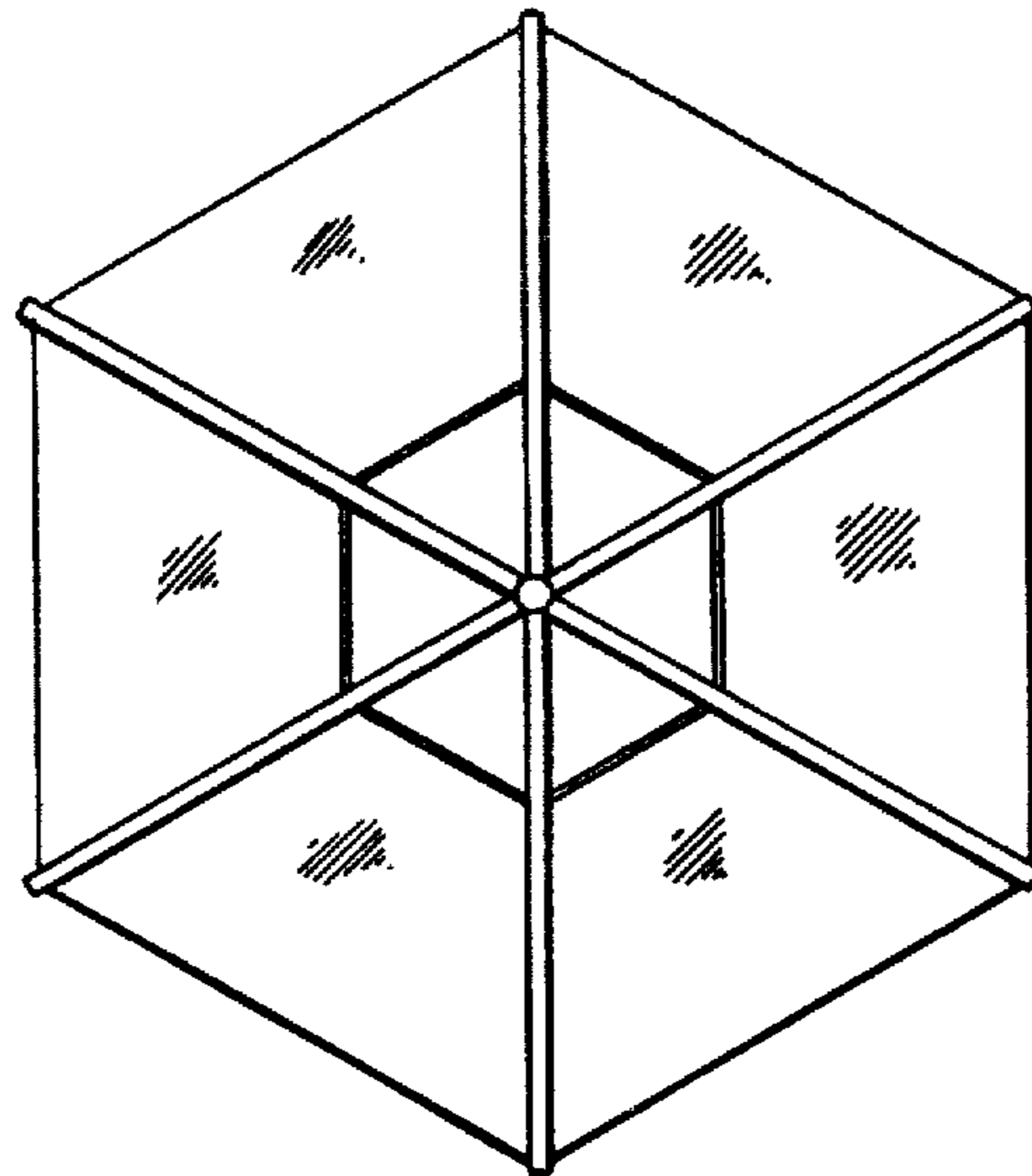


Fig. 2

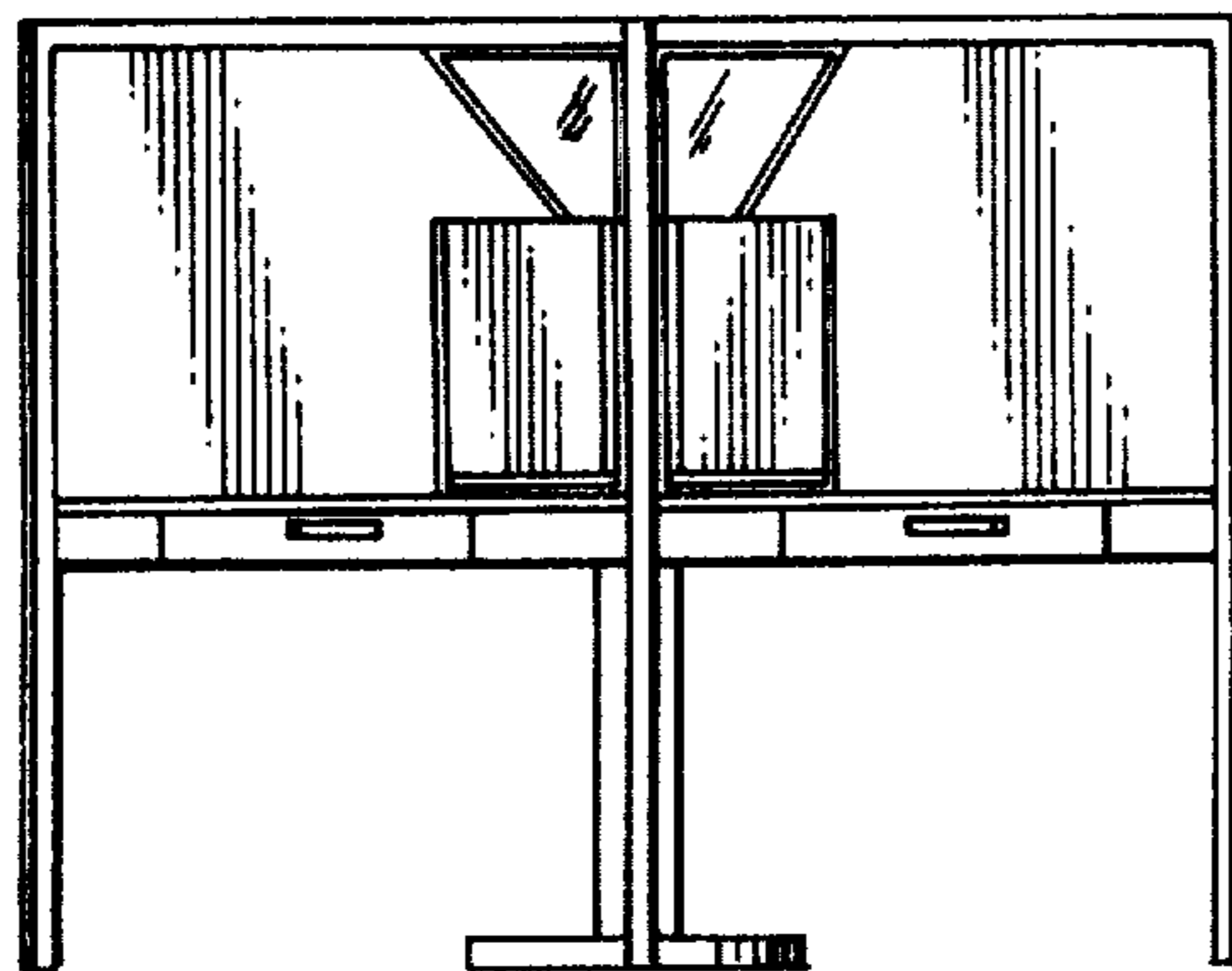


Fig. 3

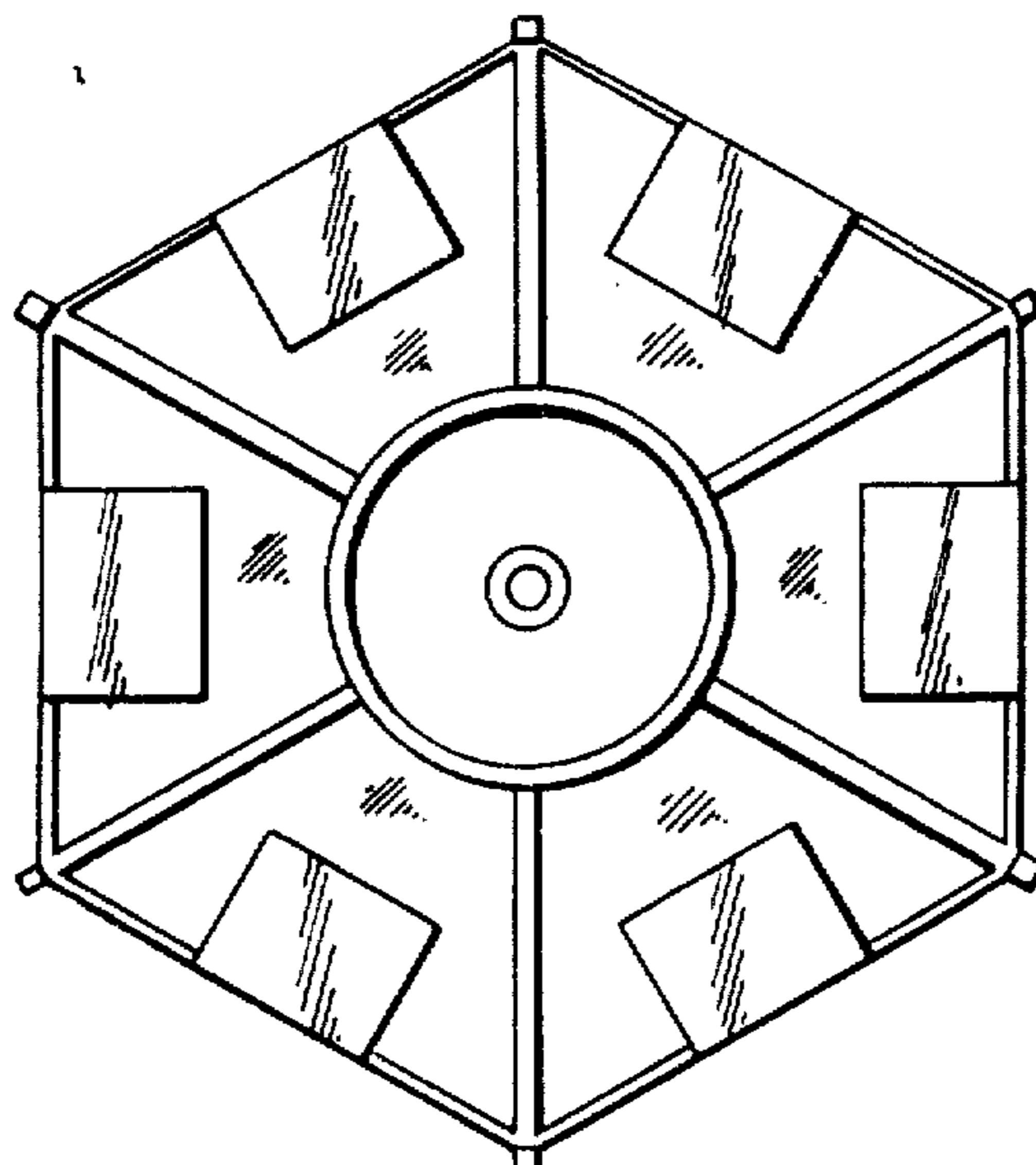


Fig. 4