

[54] HANDBAG

[76] Inventor: Delores M. Hyers, 5417 Cary Street Rd., Richmond, Va. 23226

[**] Term: 14 Years

[21] Appl. No.: 239,149

[22] Filed: Feb. 27, 1981

D. 249,394 9/1978 Schwartz D3/53
2,110,163 3/1938 Lorel D3/49

Primary Examiner—George P. Word
Attorney, Agent, or Firm—Auzville Jackson, Jr.

[57] CLAIM

The ornamental design for a handbag, substantially as shown and described.

Related U.S. Application Data

[63] Continuation-in-part of Ser. No. 122,677, Feb. 19, 1980, Pat. No. Des. 262,587.

[51] Int. Cl. D3—01

[52] U.S. Cl. D3/50; D3/53

[58] Field of Search D3/30.1, 39, 42, 49, D3/50, 53, 71; 150/28 R, 33, 42

[56] References Cited

U.S. PATENT DOCUMENTS

D. 114,968 5/1939 Schlessinger D3/49
D. 122,138 8/1940 Freidman D3/53

DESCRIPTION

FIG. 1 is a perspective view of a handbag showing my new design;

FIG. 2 is an end elevational view thereof;

FIG. 3 is a top plan view thereof;

FIG. 4 is a perspective view of the handbag with the handles partially opened;

FIG. 5 is a top plan view thereof with the handles fully opened;

FIG. 6 is a bottom plan view of the handbag with the handles closed; and

FIG. 7 is a perspective view of the opposite side of the handbag.



Fig. 1

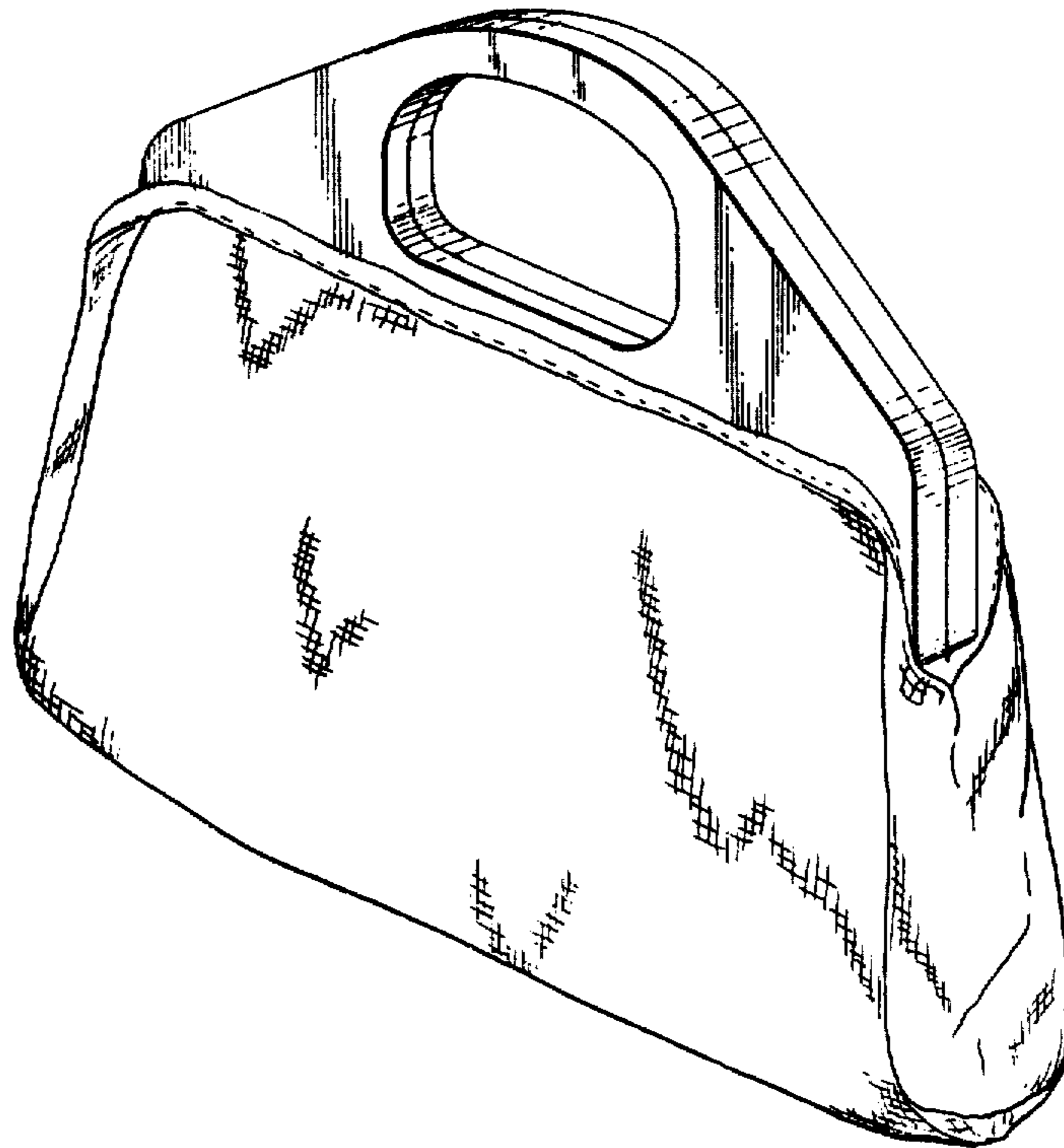


Fig. 2

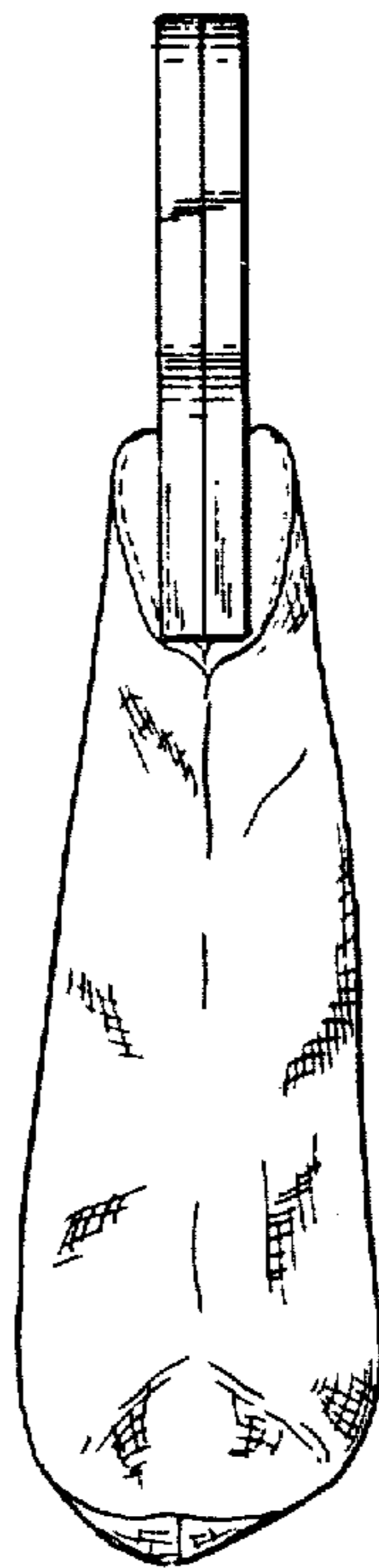


Fig. 3

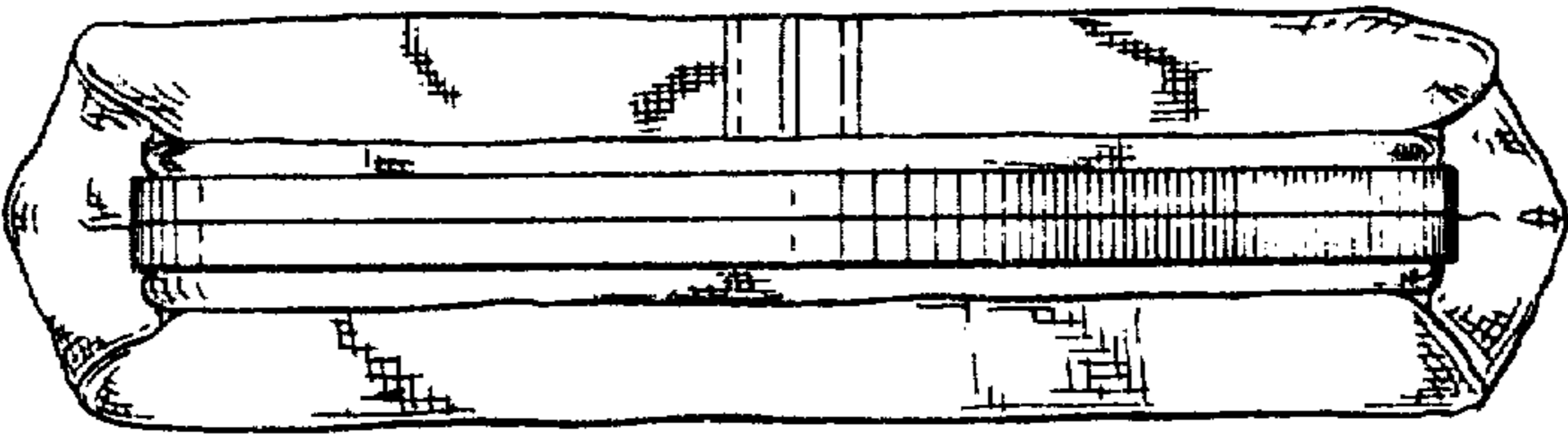


Fig. 4

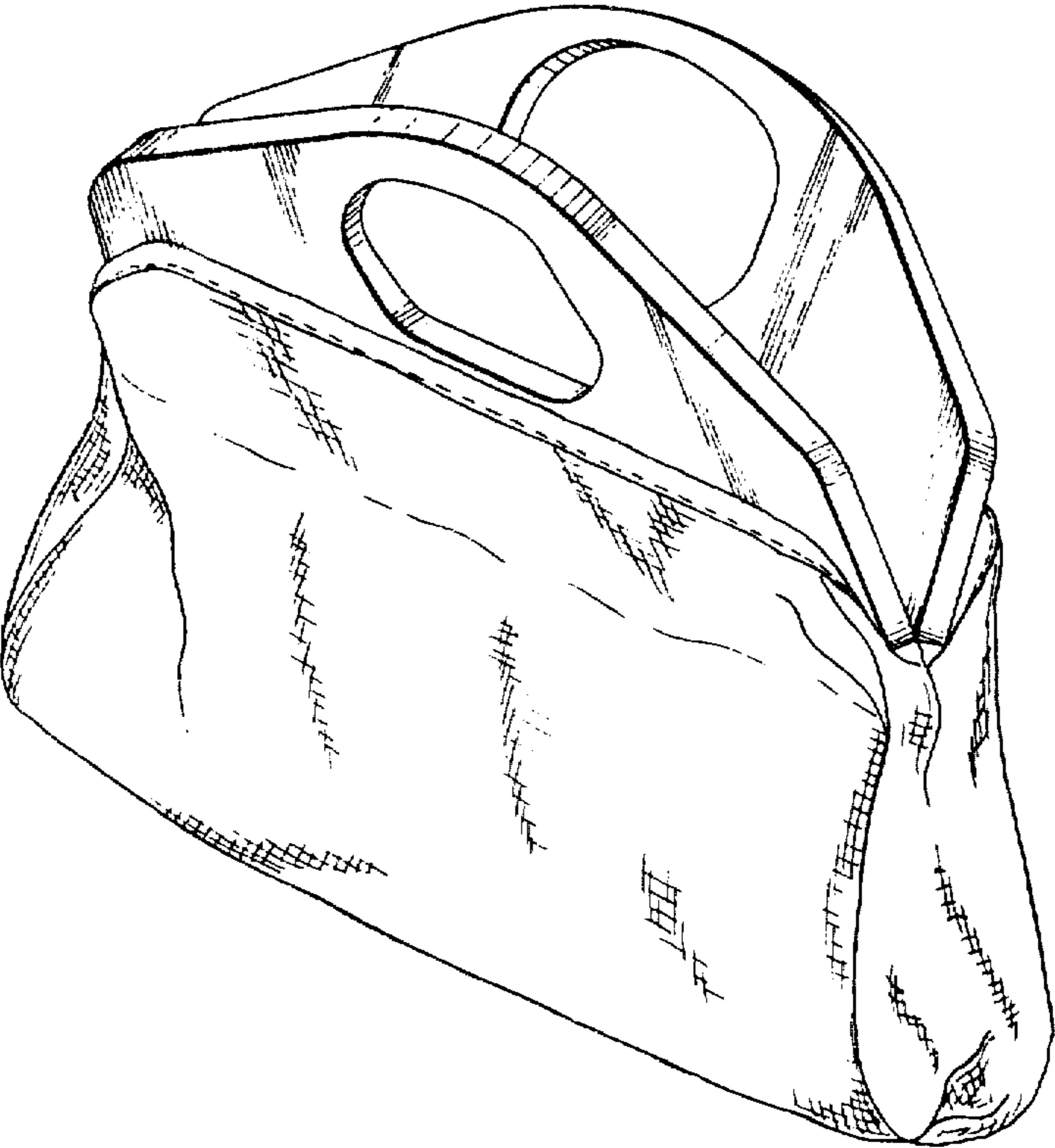


Fig. 5

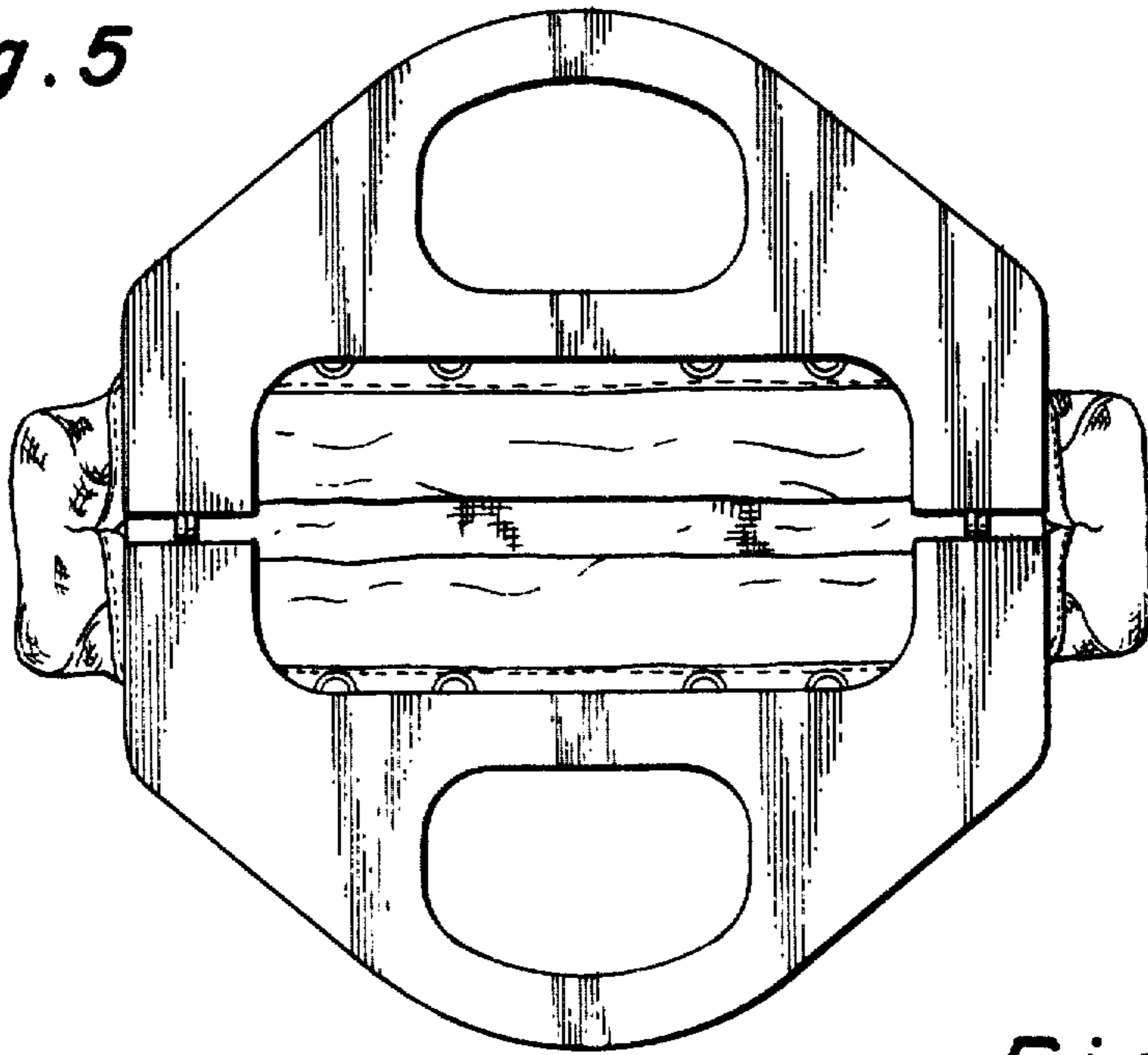


Fig. 6

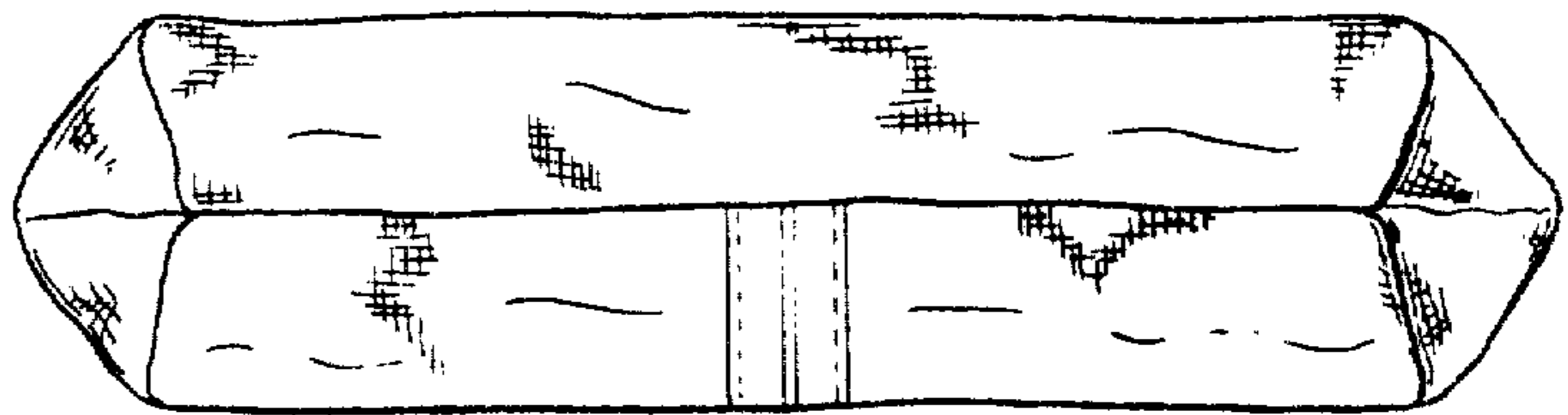


Fig. 7

