

[54] LIGHT PROJECTOR

[76] Inventor: Kenyon C. Whitright, 5422 Southwestern, Dallas, Tex. 75209

[**] Term: 14 Years

[21] Appl. No.: 270,819

[22] Filed: Jun. 5, 1981

[51] Int. Cl. D26-03

[52] U.S. Cl. D26/24

[58] Field of Search D26/24, 61, 62, 63, D26/64, 65, 66, 72, 80; 362/235, 237, 236, 249, 250, 397, 310, 311, 309, 362, 259, 263, 269, 285

[56] References Cited

U.S. PATENT DOCUMENTS

D. 243,035	1/1977	Kohlenstein	D26/61
D. 246,677	12/1977	Nigg	D26/65
693,088	2/1902	Wadsworth .	
770,766	9/1904	Menchen .	
926,781	7/1909	Townsend .	
1,205,093	11/1916	Harvey .	
1,272,509	7/1918	Palmer .	
1,273,843	7/1918	Foley	362/297

1,309,448	7/1919	Otte .	
1,871,794	8/1932	Hough .	
2,010,307	8/1935	Leishman .	
2,197,637	4/1940	Goldberg .	
2,398,799	4/1946	Miller .	
2,798,942	7/1957	Mason .	
3,083,293	3/1963	Fandrey .	
3,510,214	5/1970	Crow .	
3,582,642	6/1971	Johansson .	
3,919,543	11/1975	Noren .	
3,981,263	9/1976	Capucio	362/285 X

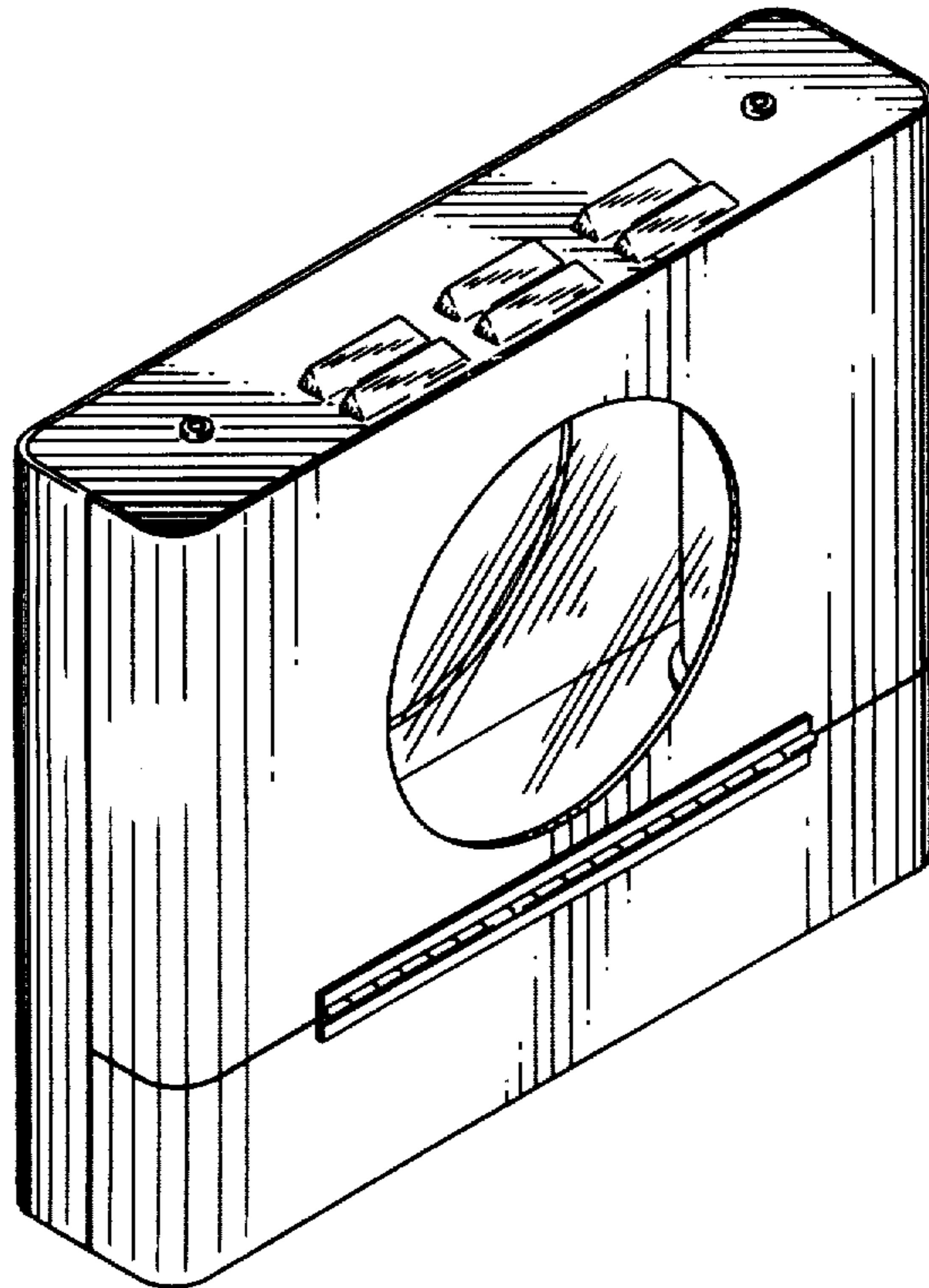
Primary Examiner—Susan J. Lucas
Attorney, Agent, or Firm—Richards, Harris & Medlock

[57] CLAIM

The ornamental design for a light projector, as shown.

DESCRIPTION

FIG. 1 is a perspective view of a light projector showing my new design;
FIG. 2 is a front view thereof;
FIG. 3 is a left side view thereof;
FIG. 4 is a top view thereof;
FIG. 5 is a rear view thereof;
FIG. 6 is a right side view thereof; and
FIG. 7 is a bottom view thereof.



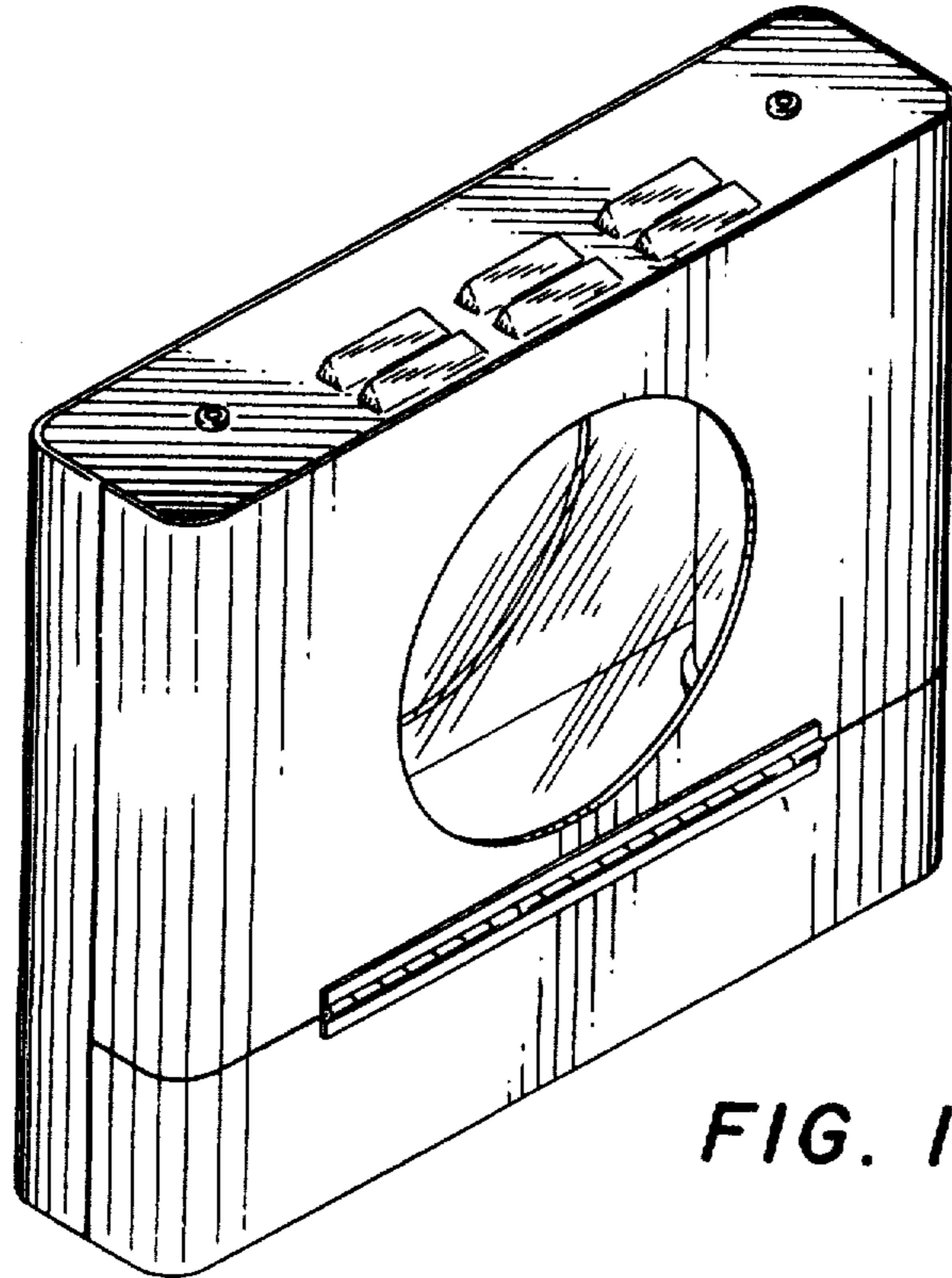


FIG. 1

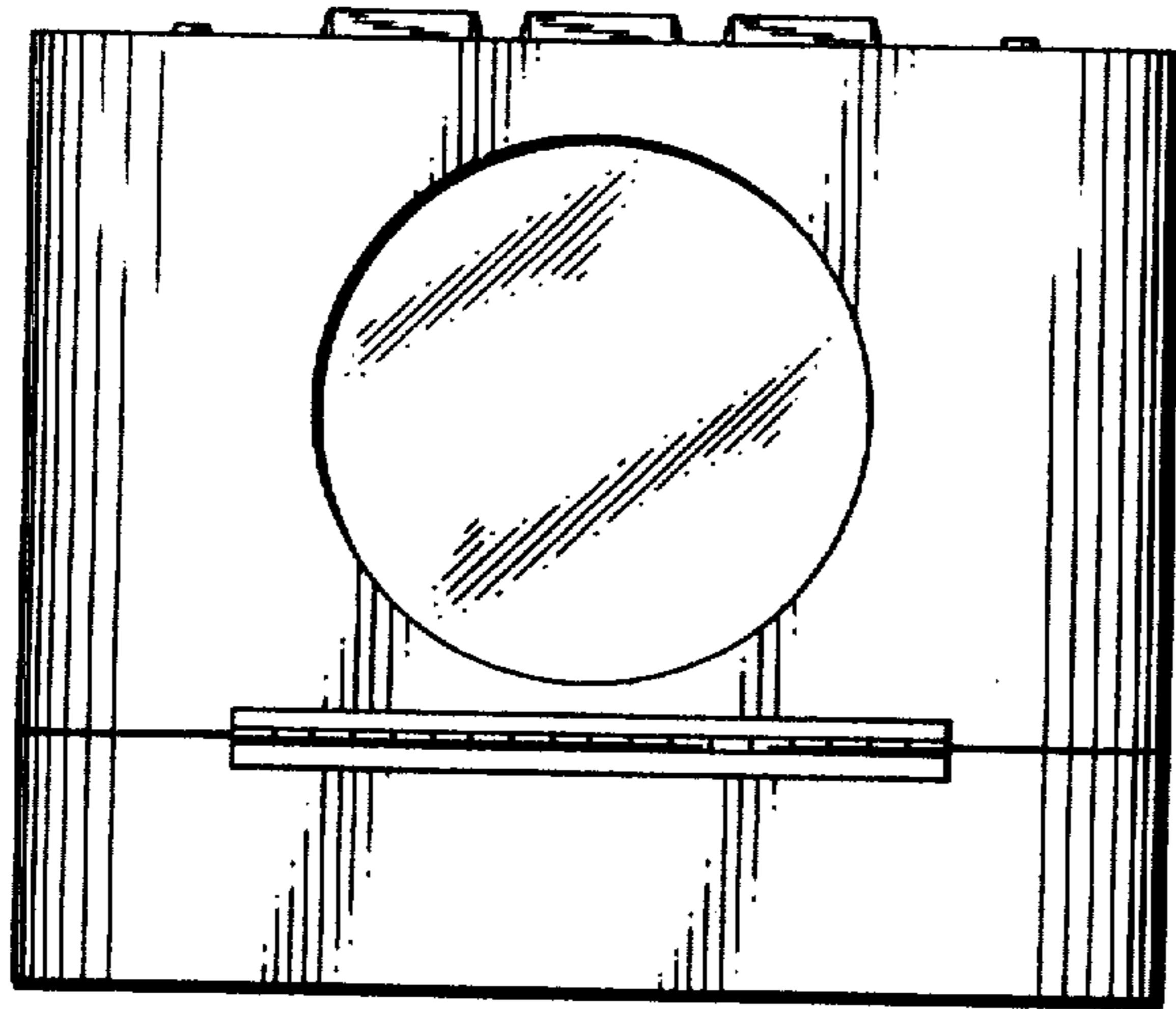


FIG. 2

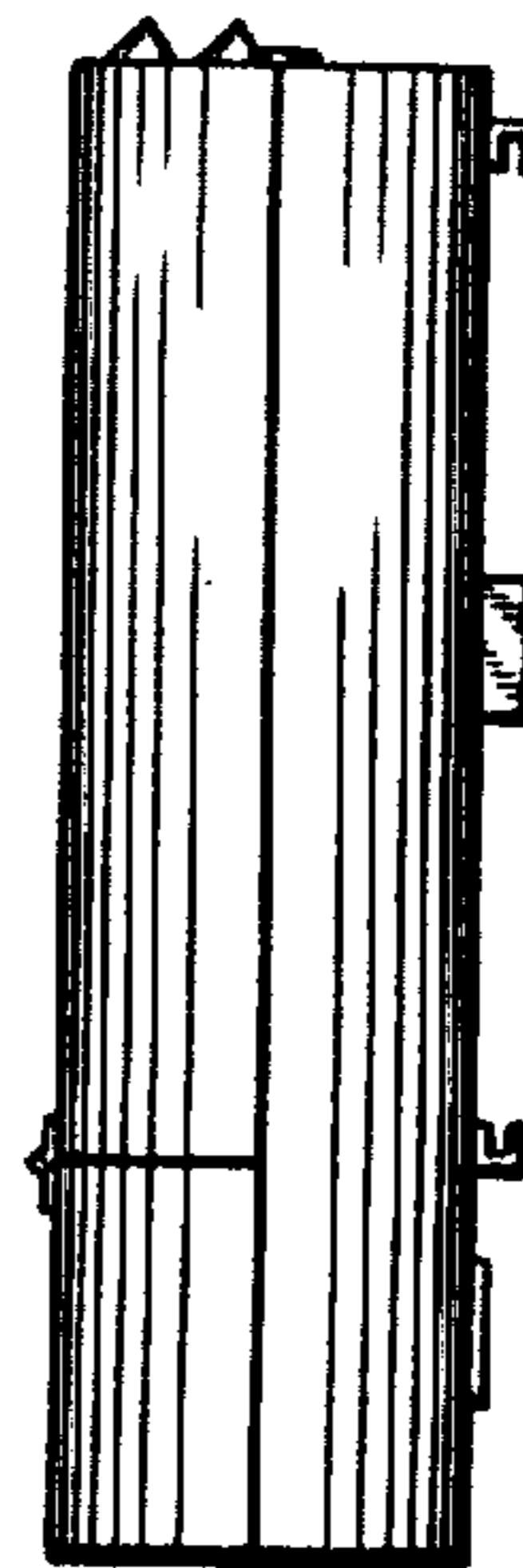


FIG. 3

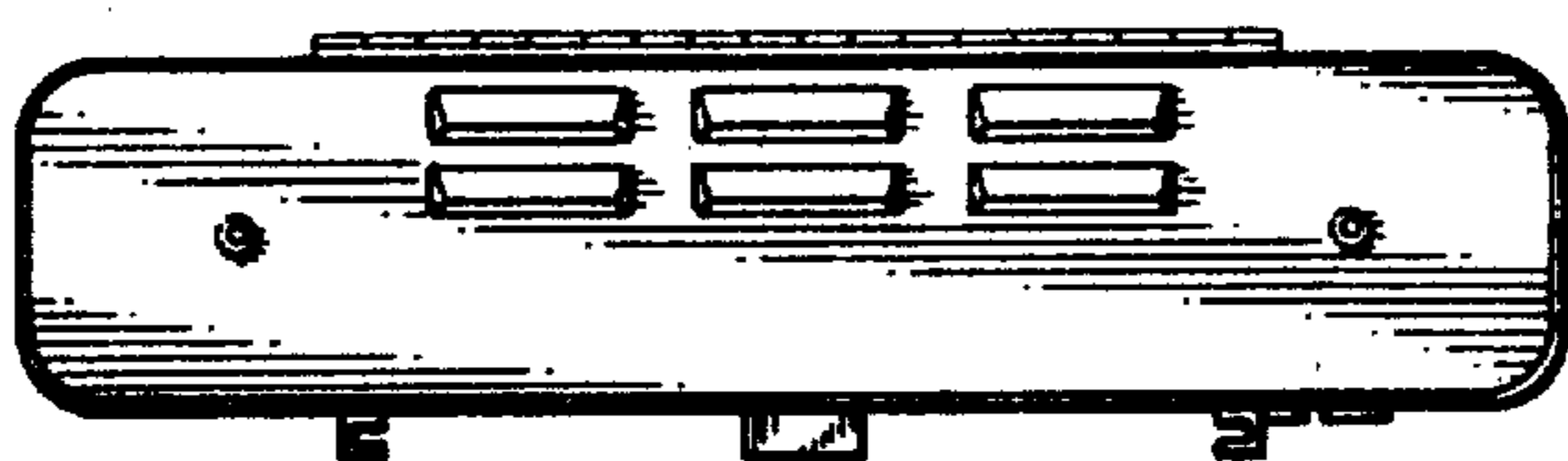


FIG. 4

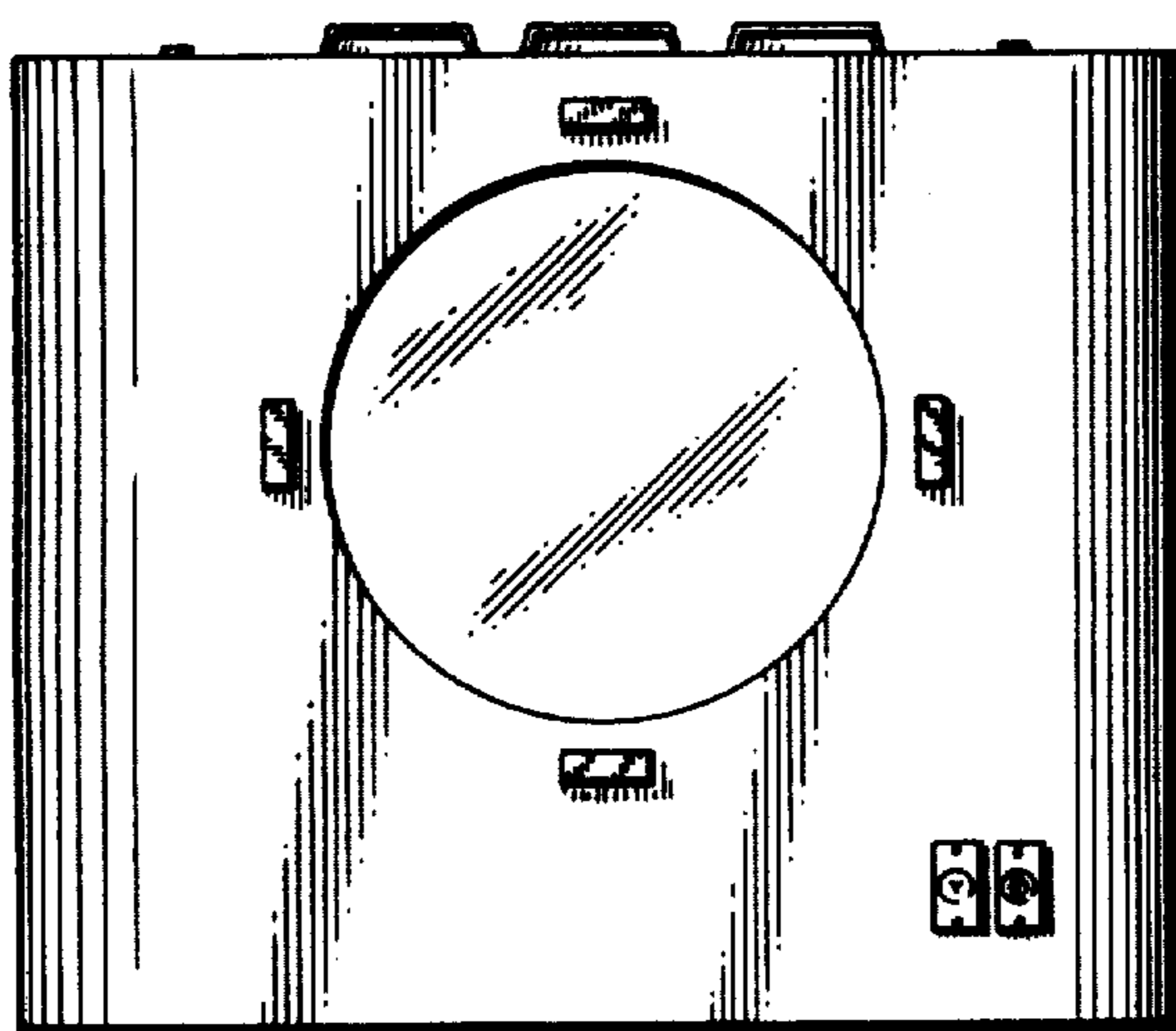


FIG. 5

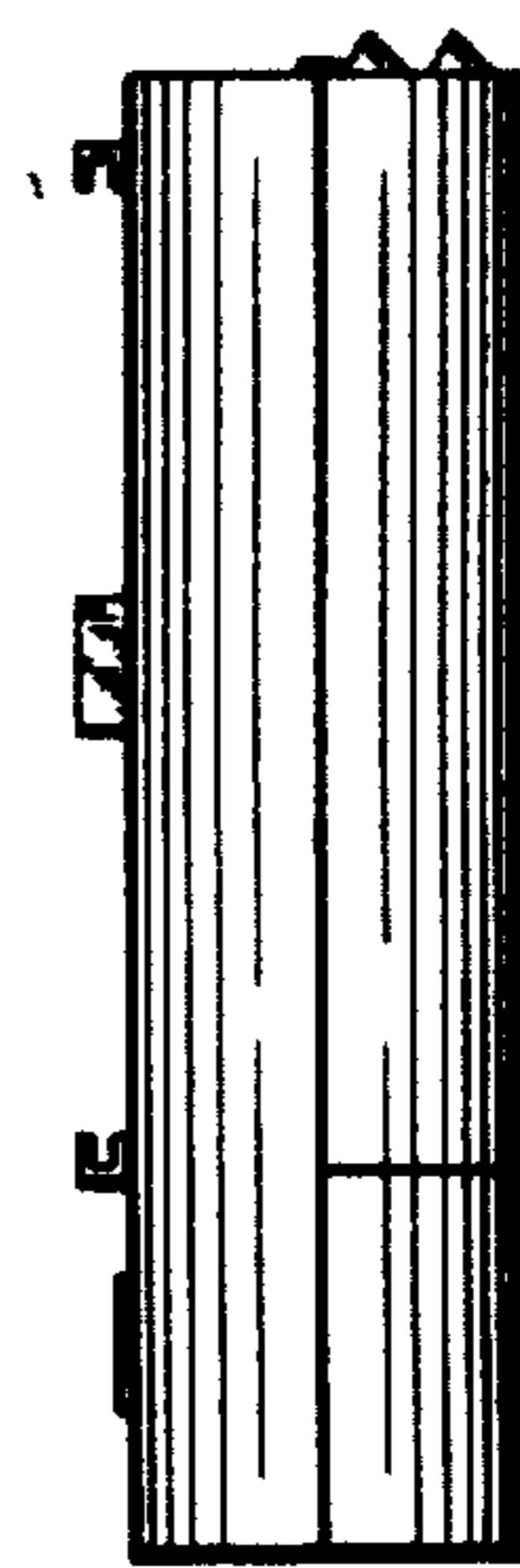


FIG. 6

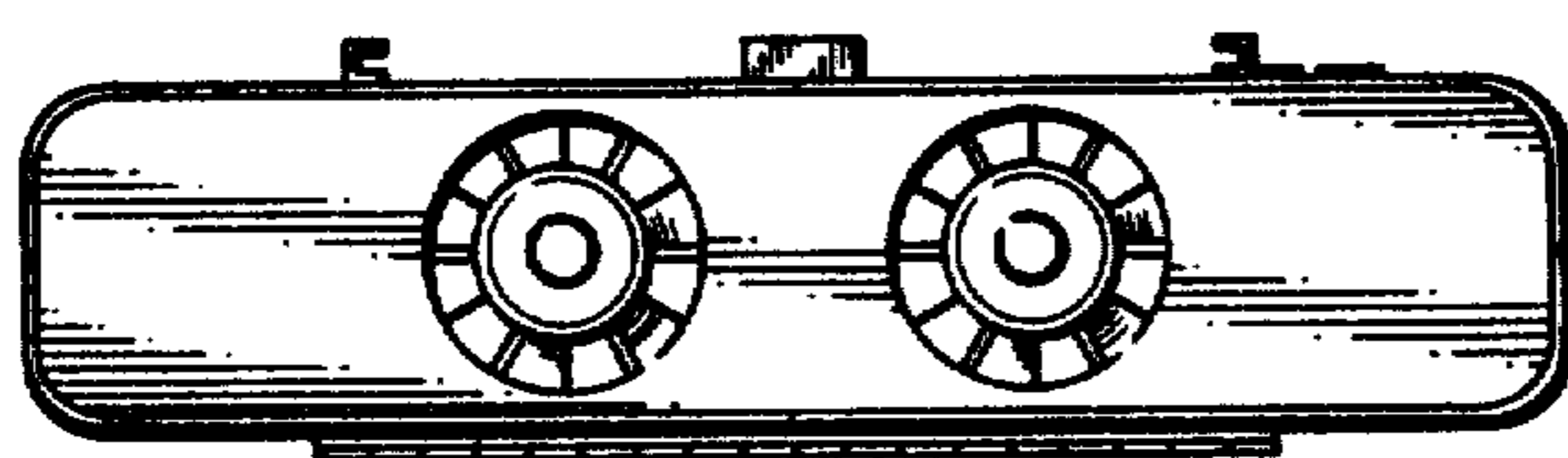


FIG. 7