

[54] TREE STAND FOR HUNTERS

[75] Inventors: **Gerald L. Haines; Richard A. Havenar**, both of Piqua; **Ralph H. Herolzer**, Cincinnati, all of Ohio

[73] Assignee: **The Coleman Company, Inc.**, Wichita, Kans.

[**] Term: **14 Years**

[21] Appl. No.: **295,507**

[22] Filed: **Aug. 24, 1981**

[51] Int. Cl. **D25—99**

[52] U.S. Cl. **D25/62; D22/99; 182/187**

[58] Field of Search **182/187, 188; D25/62, D25/68; D22/99**

[56] **References Cited**

U.S. PATENT DOCUMENTS

3,065,821	11/1962	Hundley, Jr.	182/187
3,871,482	3/1975	Southard	182/187
4,236,602	12/1980	Leggett	182/187

Primary Examiner—A. Hugo Word

[57] **CLAIM**

The ornamental design of a tree stand for hunters, substantially as shown and described.

DESCRIPTION

FIG. 1 is a perspective view of a tree stand for hunters showing our new design;

FIG. 2 is a side elevation view thereof, the opposite side elevational view being a mirror image;

FIG. 3 is a top view thereof;

FIG. 4 is a front view thereof;

FIG. 5 is a bottom view thereof; and

FIG. 6 is a rear view thereof.

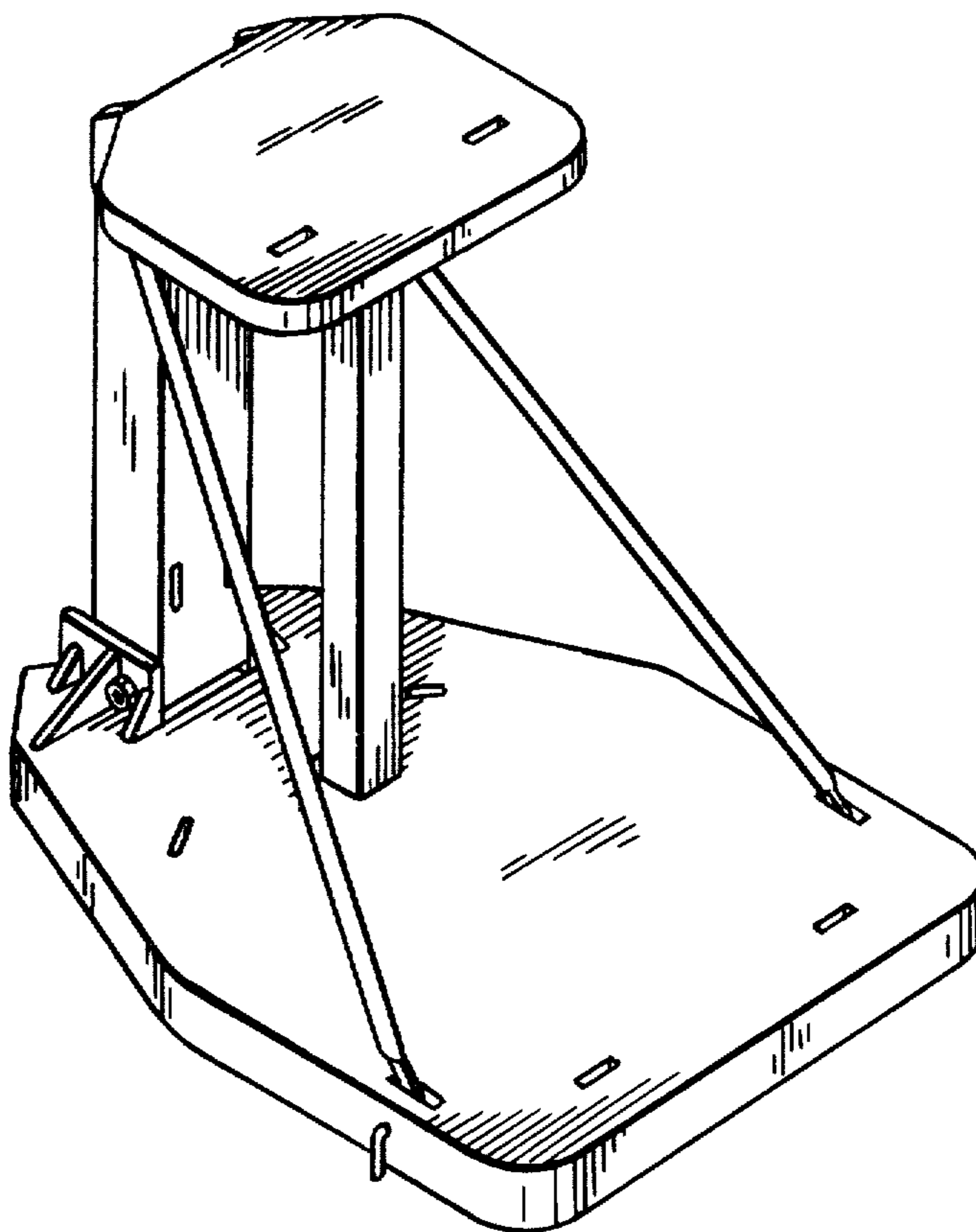


FIG-1

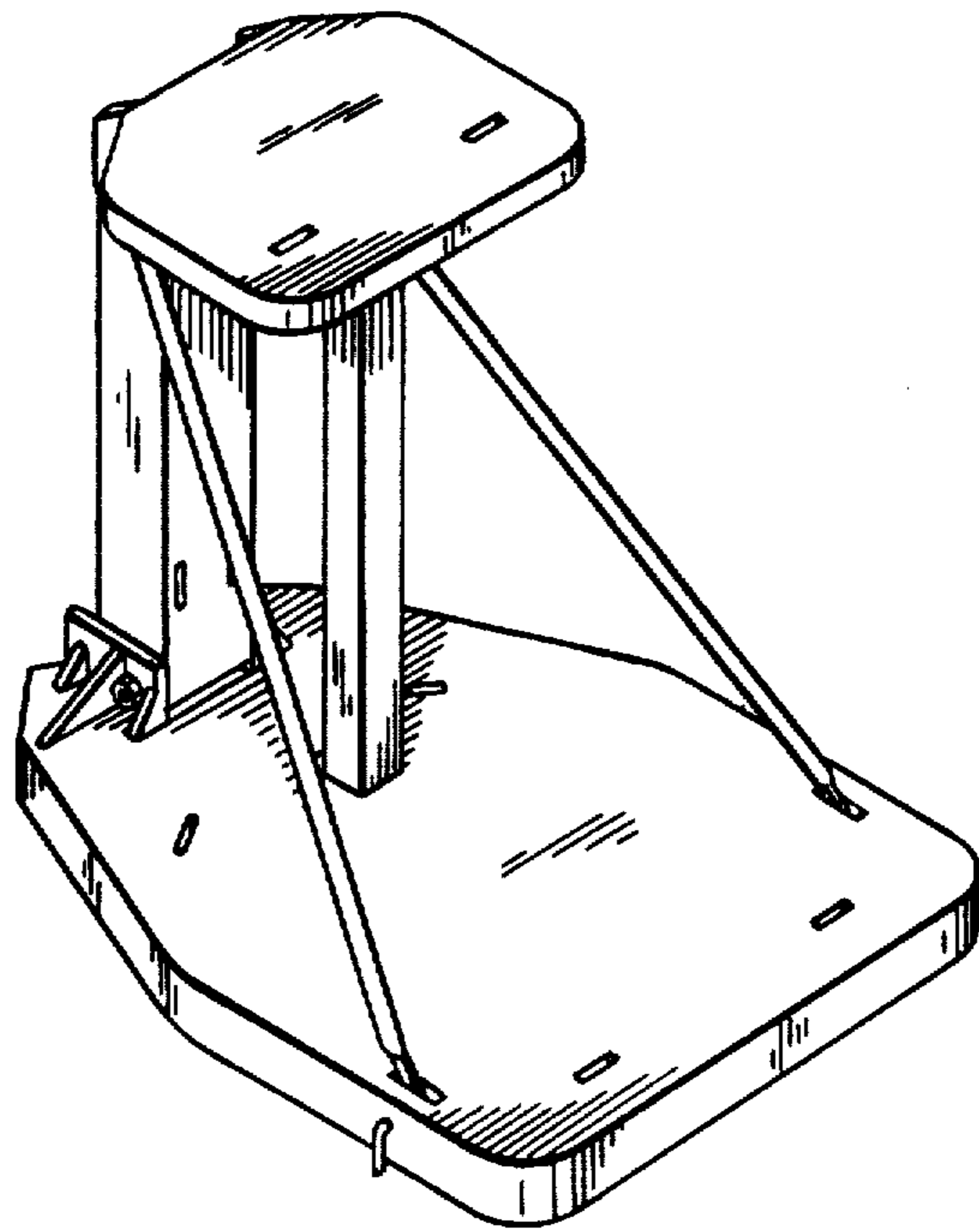


FIG-2

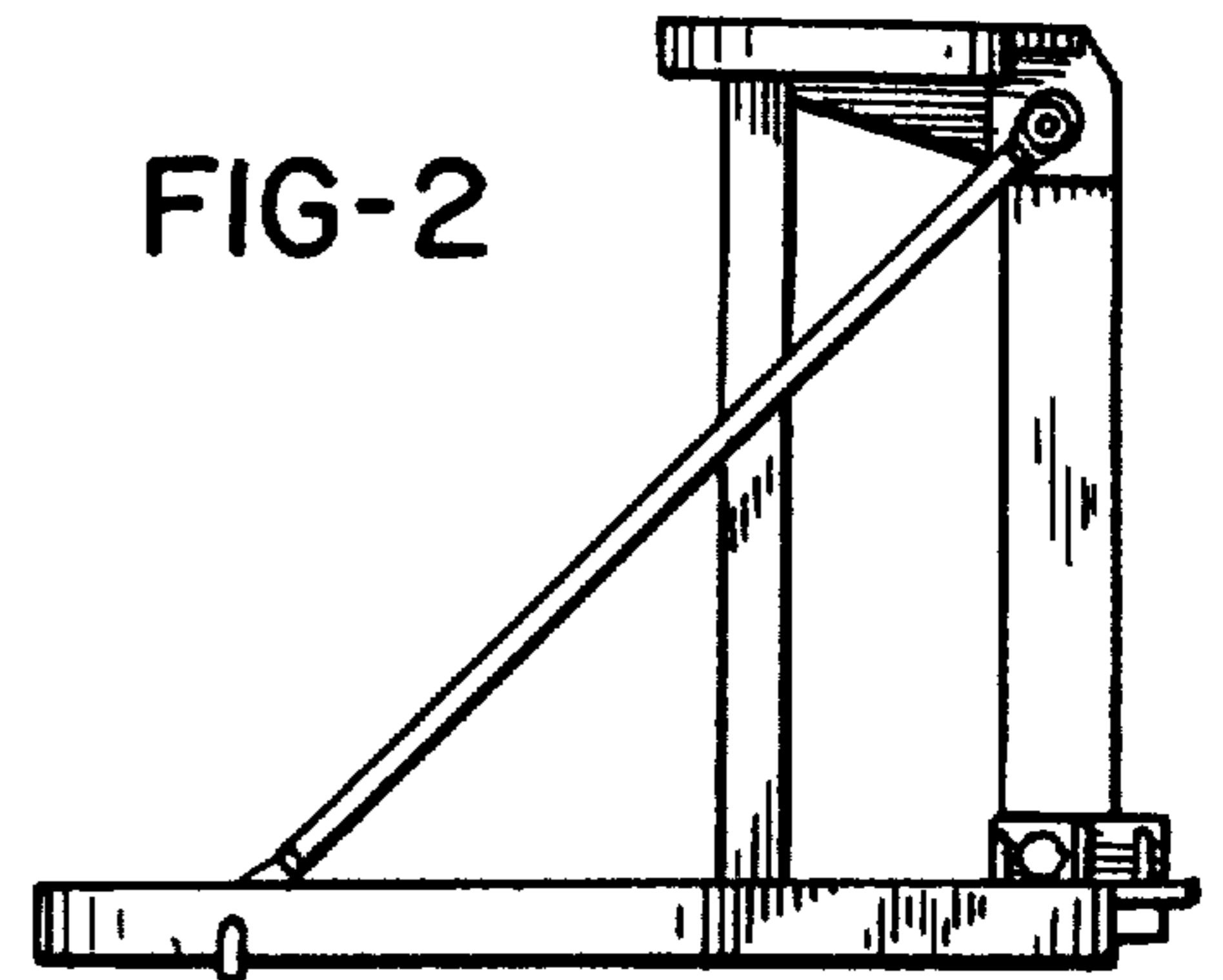


FIG-3

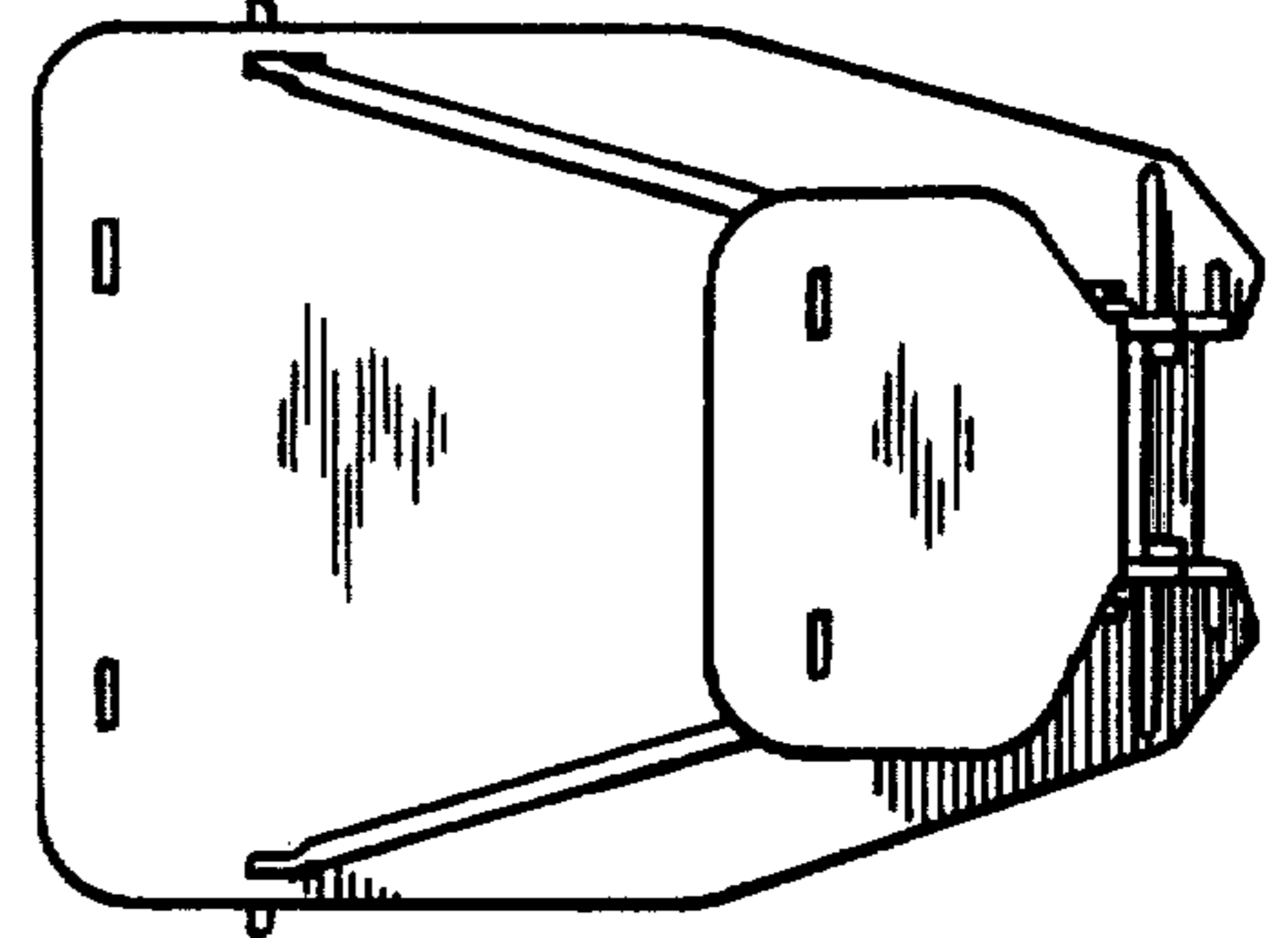


FIG-4

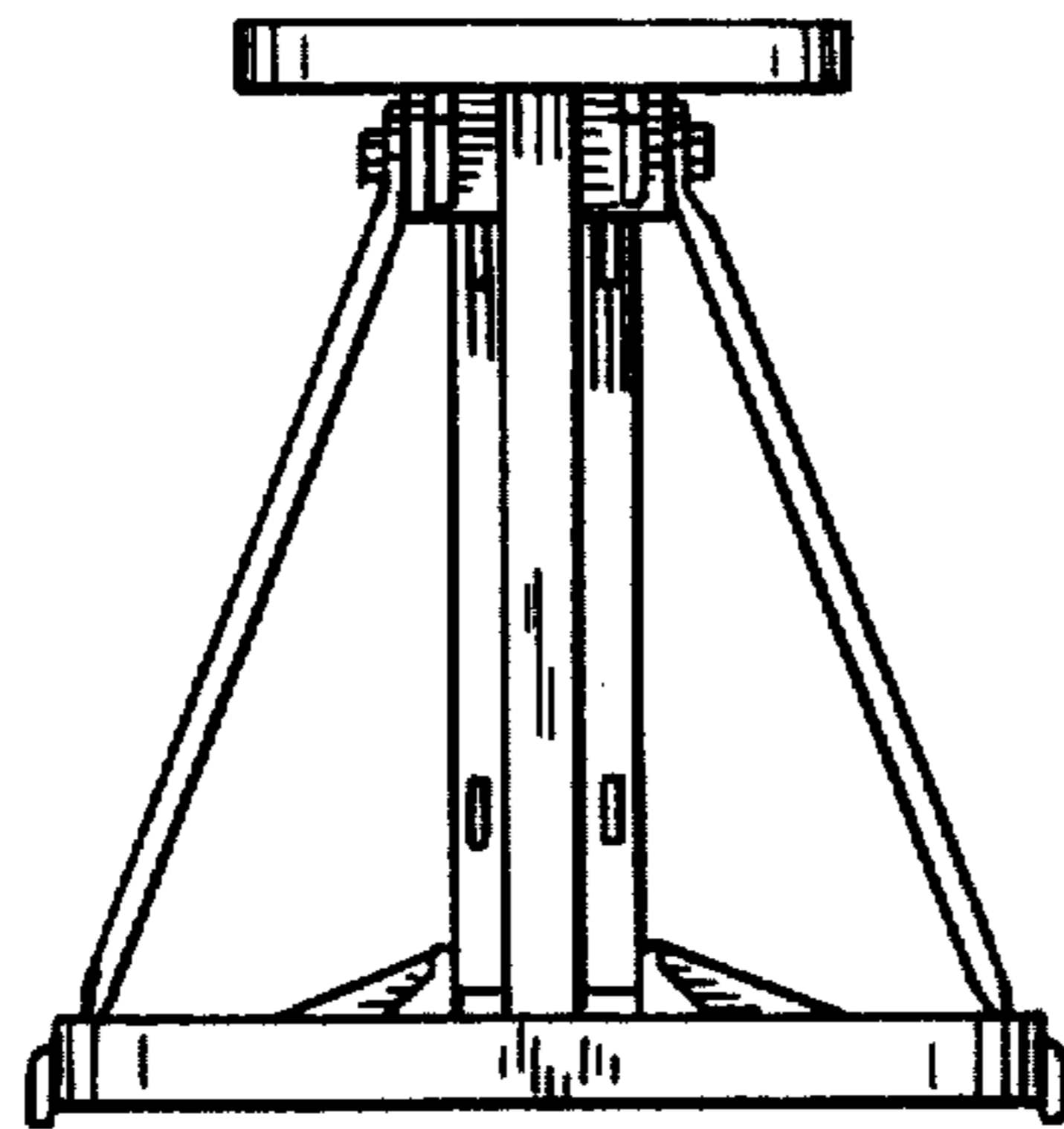


FIG-5

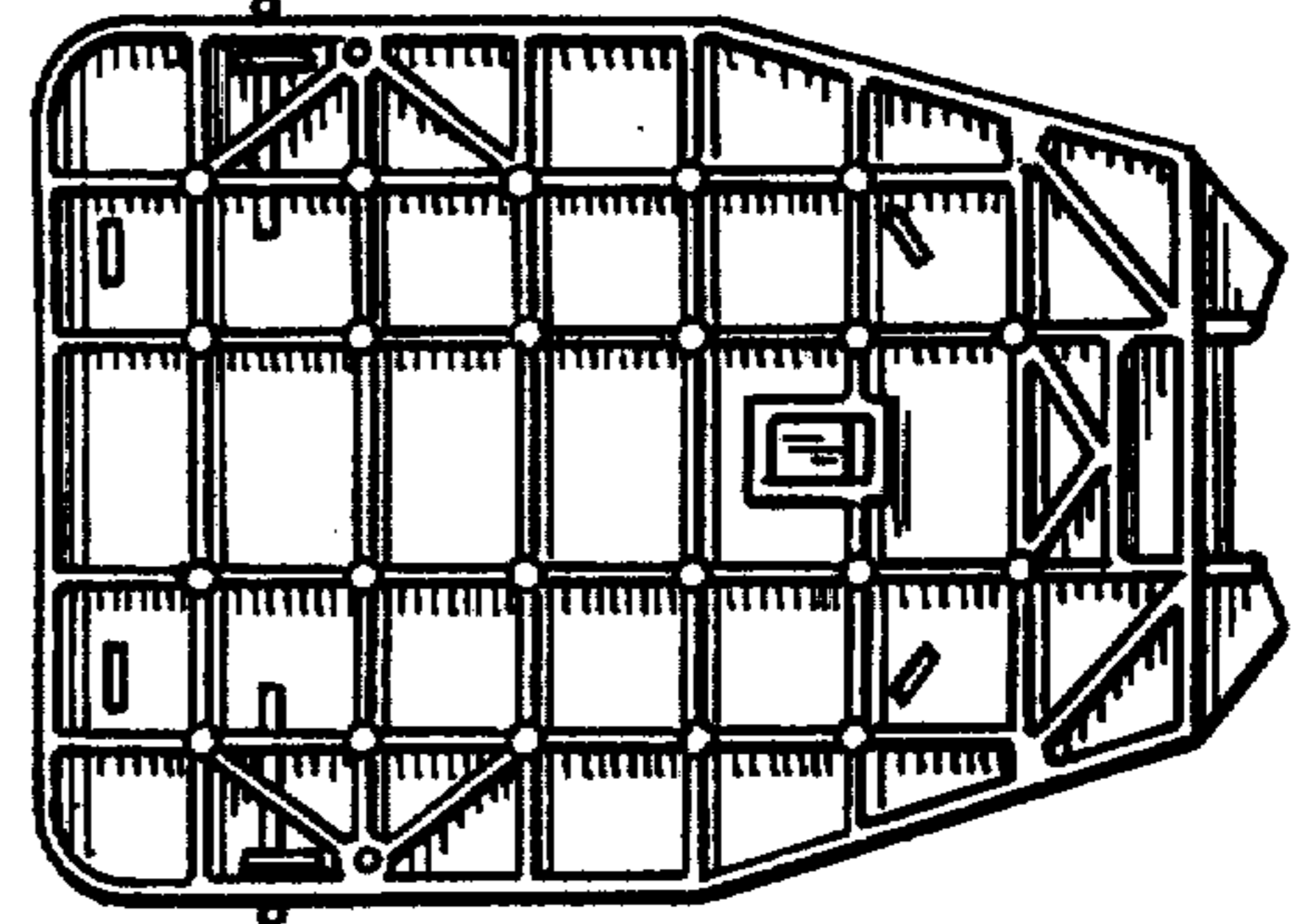


FIG-6

