

[54] **DISPENSER FOR AIR TREATING MATERIAL**

[75] Inventor: Earl Hoyt, Franklin Lakes, N.J.

[73] Assignee: Airwick Industries, Inc., Carlstadt, N.J.

[\*\*] Term: 14 Years

[21] Appl. No.: 259,392

[22] Filed: May 1, 1981

[51] Int. Cl. .... D23-04

[52] U.S. Cl. .... D23/150

[58] Field of Search ..... D23/148-150;  
239/34-60

[56] **References Cited**

**U.S. PATENT DOCUMENTS**

|            |         |               |       |         |
|------------|---------|---------------|-------|---------|
| D. 204,756 | 5/1966  | Farrell       | ..... | D23/150 |
| D. 244,692 | 6/1977  | Schimanski    | ..... | D23/150 |
| 246,316    | 11/1977 | Hadtke        | ..... | D23/150 |
| D. 254,930 | 5/1980  | Mandon        | ..... | D23/150 |
| D. 255,047 | 5/1980  | Muller et al. | ..... | D23/150 |
| D. 257,788 | 1/1981  | Suhajda       | ..... | D23/150 |

|            |         |                   |       |          |
|------------|---------|-------------------|-------|----------|
| D. 260,926 | 9/1981  | Dusek             | ..... | D23/150  |
| 2,555,047  | 5/1951  | Logue             | ..... | 239/58   |
| 2,657,090  | 10/1953 | Meek              | ..... | 239/55   |
| 2,836,462  | 5/1958  | Wenner            | ..... | 239/58 X |
| 3,286,872  | 11/1966 | Burdick, Jr.      | ..... | 239/58 X |
| 4,247,042  | 1/1981  | Schimanski et al. | ..... | 239/47 X |
| 4,258,004  | 3/1981  | Valenzona et al.  | ..... | 239/57 X |

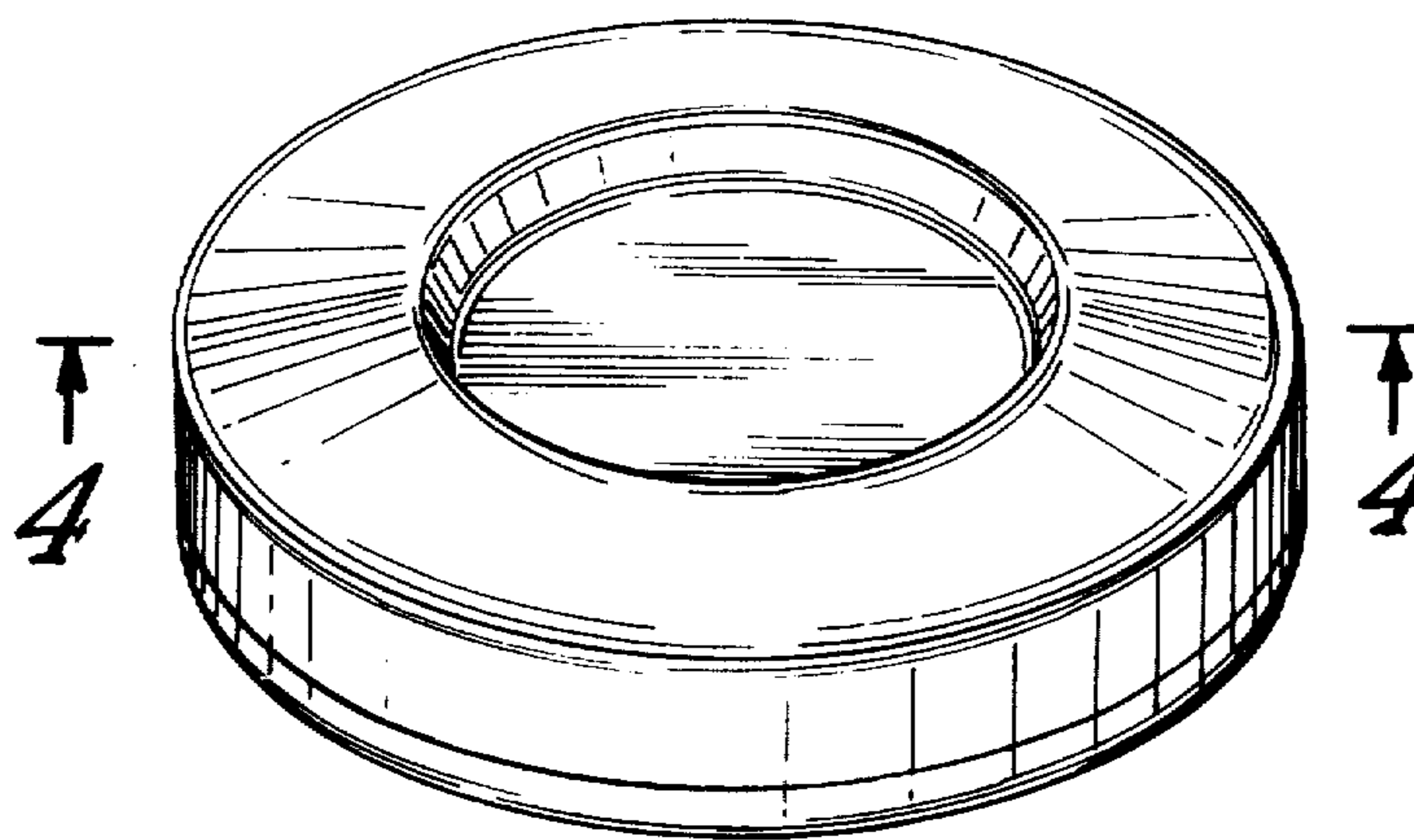
Primary Examiner—James R. Largen  
Attorney, Agent, or Firm—Harry Falber

[57] **CLAIM**

The ornamental design for dispenser for air treating material, as shown and described.

**DESCRIPTION**

FIG. 1 is a top perspective view of a dispenser for air treating material showing my new design; FIG. 2 is a side elevational view thereof; FIG. 3 is a side elevational view showing the dispenser in an open position; FIG. 4 is a cross-sectional view taken on line 4-4 of FIG. 1; FIG. 5 is a bottom plan view thereof; and FIG. 6 is a top plan view of a modified form of the dispenser for air treating material shown in FIG. 1.



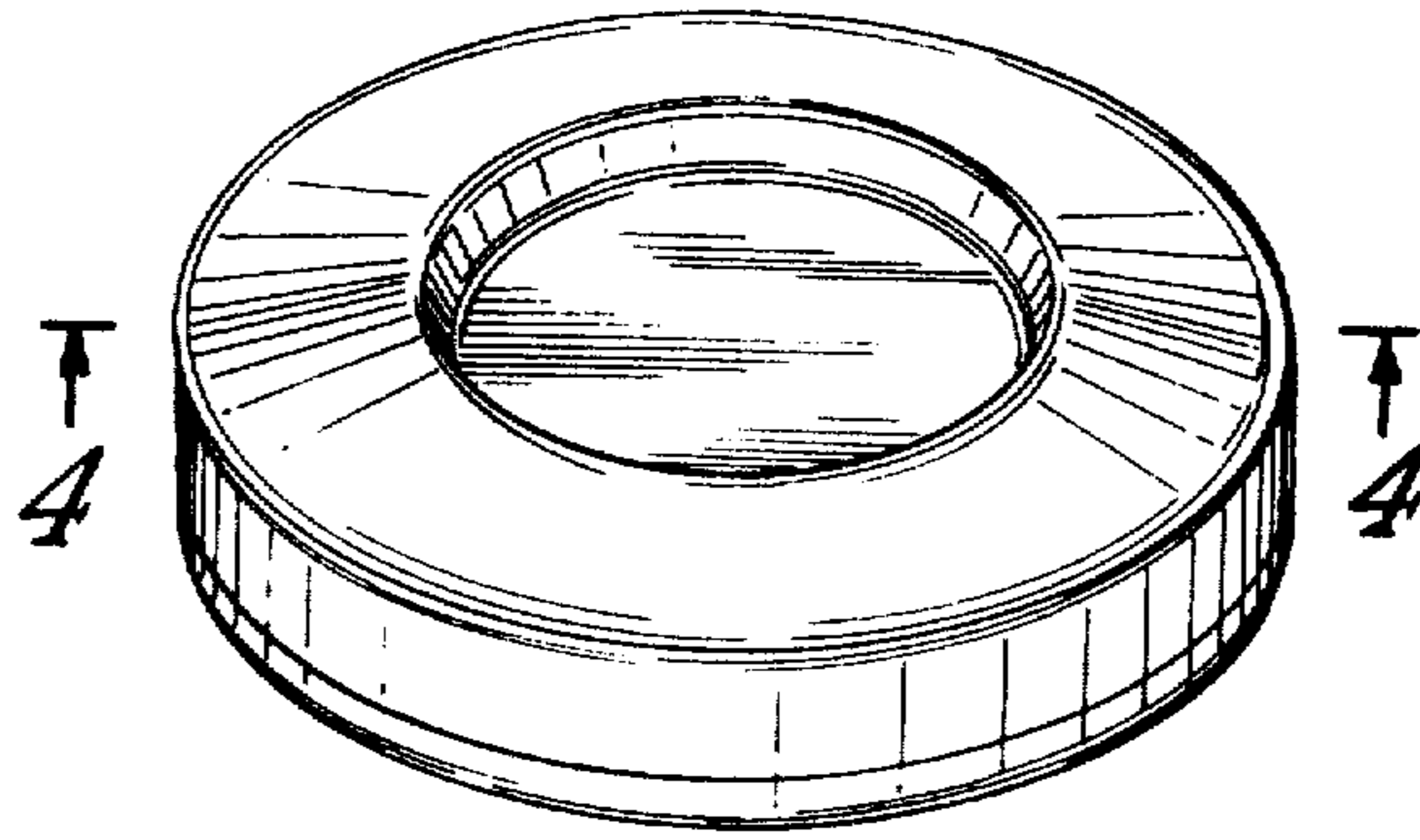


FIG. 1

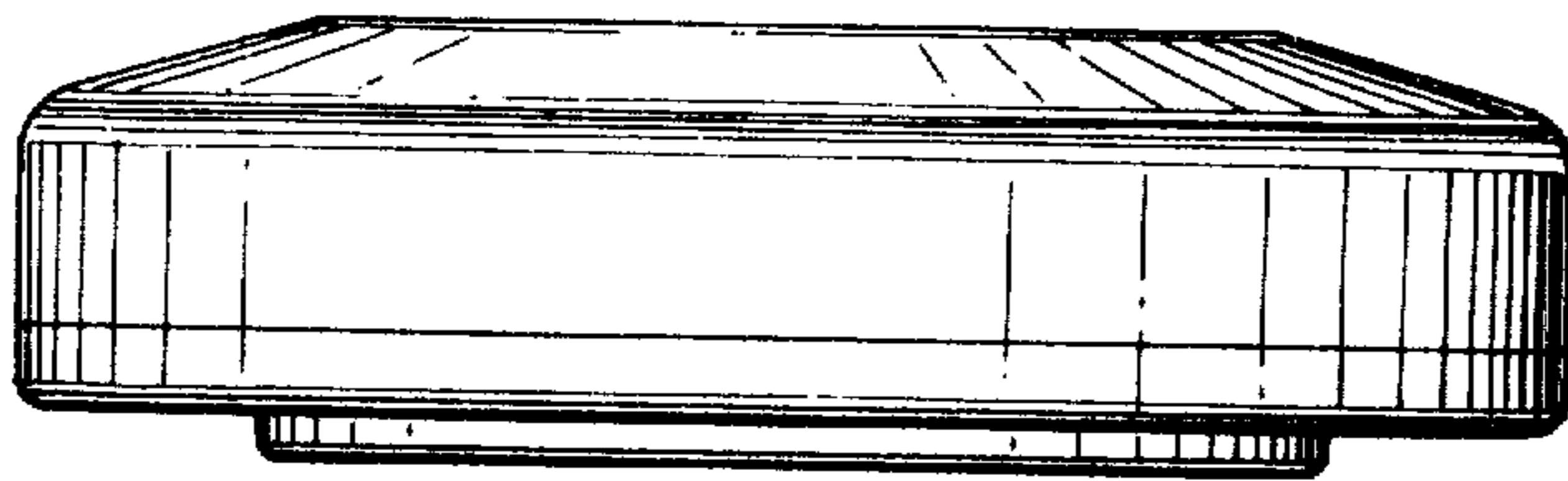


FIG. 2

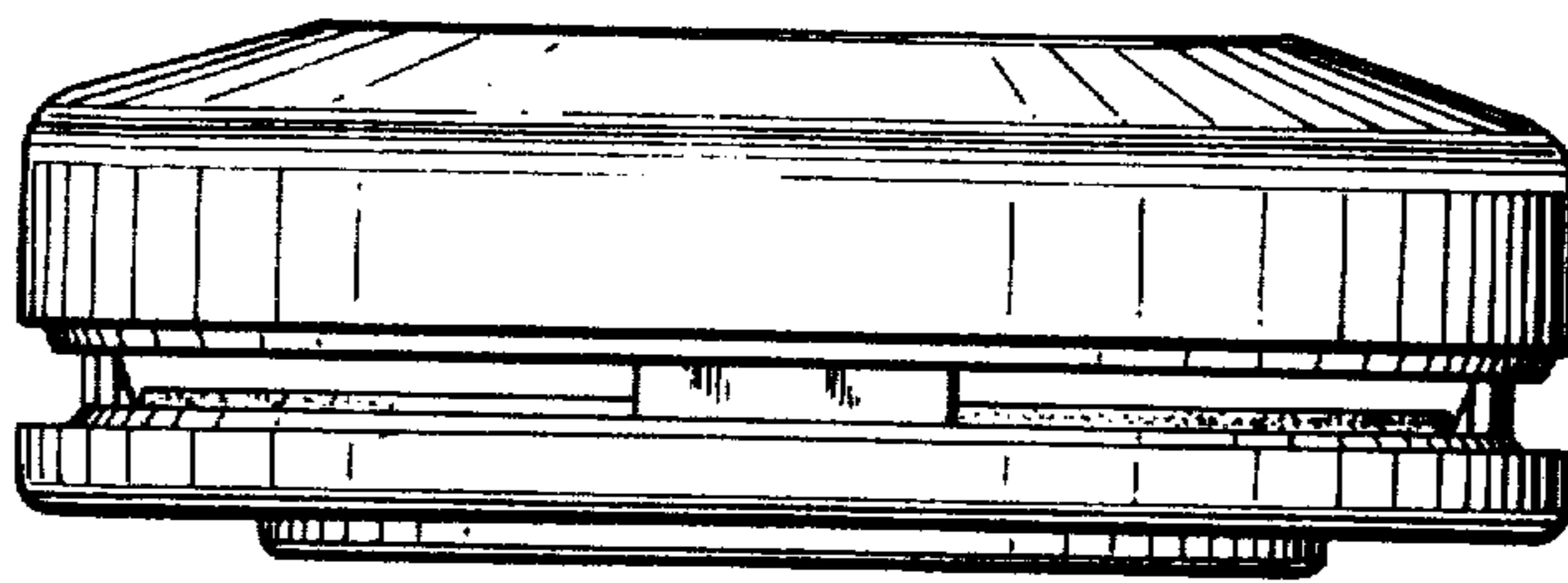


FIG. 3

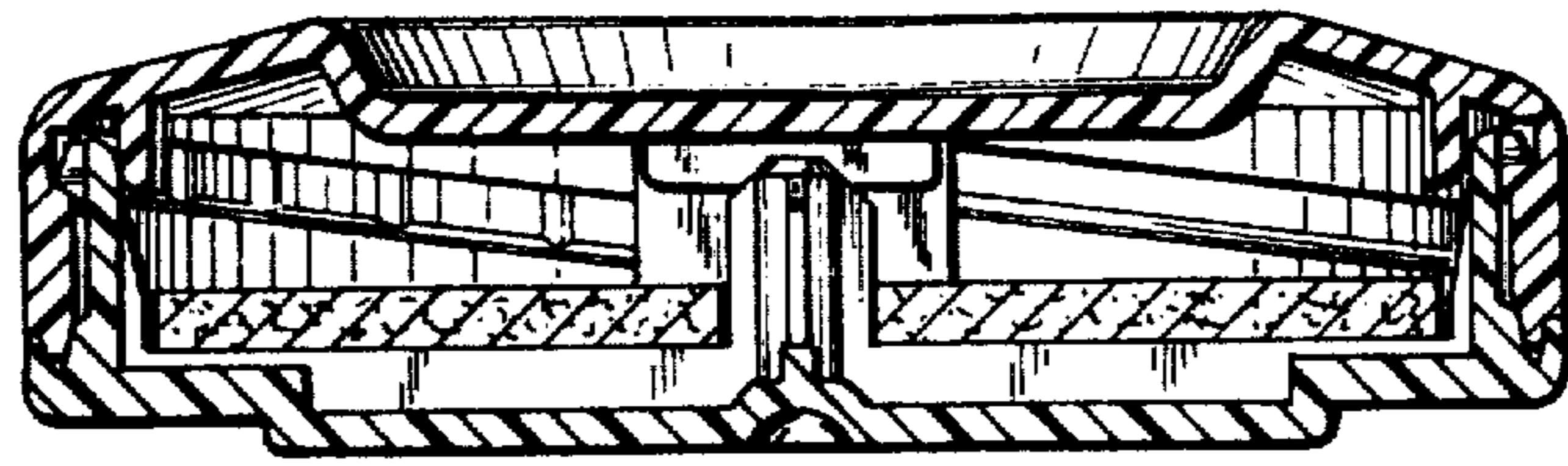


FIG. 4

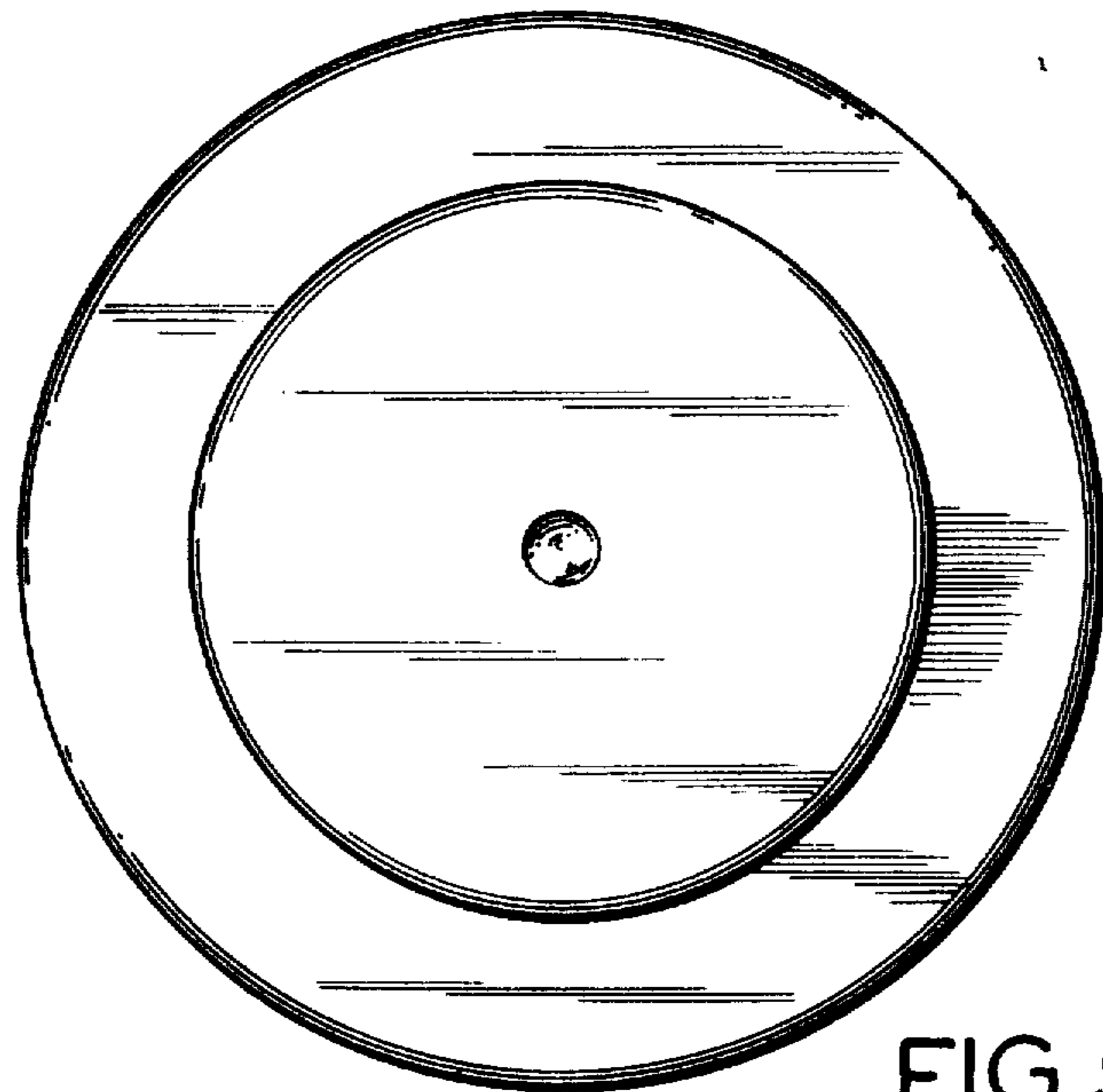


FIG. 5

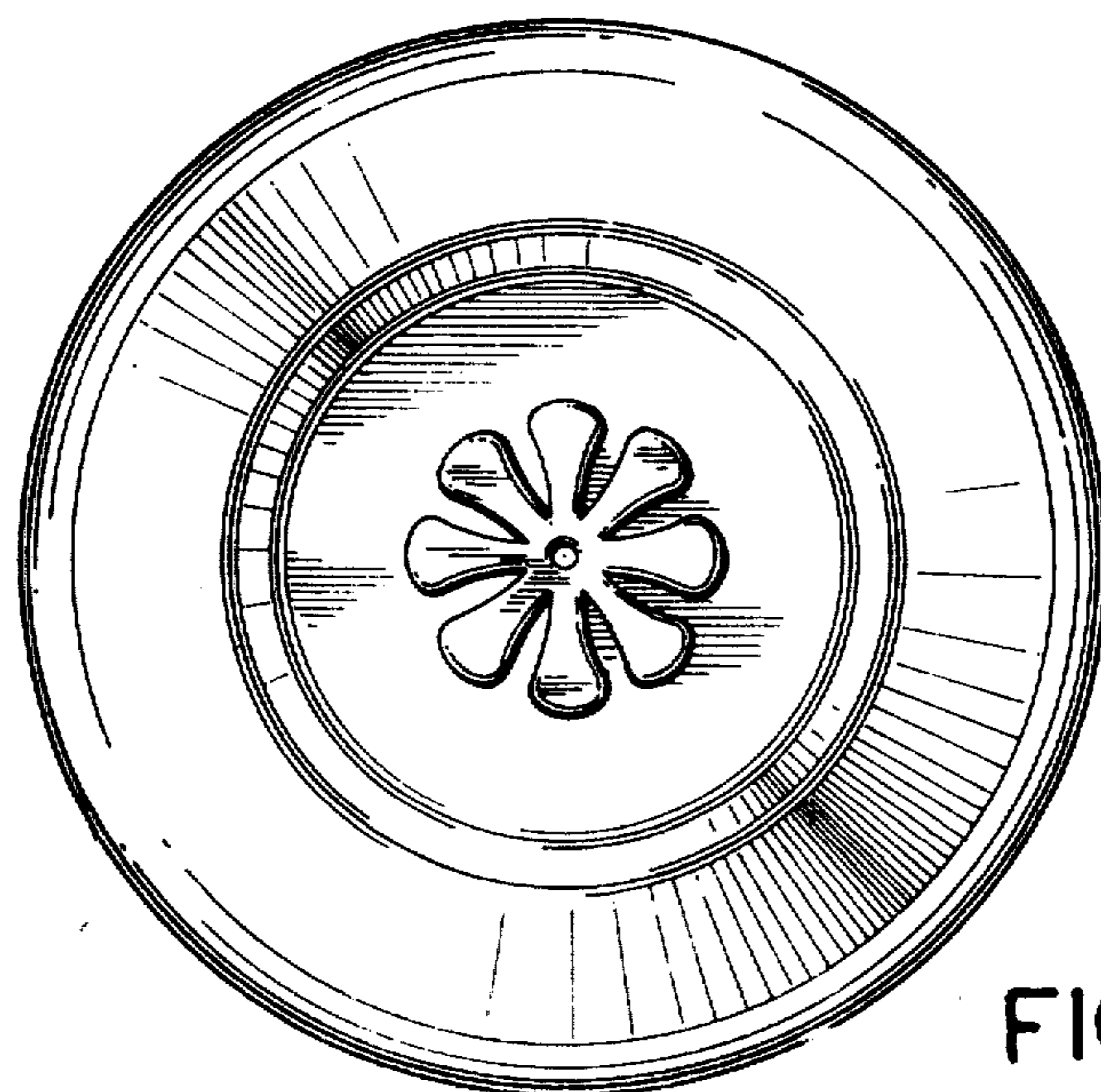


FIG. 6