

[54] **FRONT GUN SIGHT**

[75] **Inventor:** Richard F. Clark, Bettendorf, Iowa

[73] **Assignee:** The United States of America as represented by the Secretary of the Army, Washington, D.C.

[\*\*] **Term:** 14 Years

[21] **Appl. No.:** 326,124

[22] **Filed:** Nov. 30, 1981

[51] **Int. Cl.** ..... D22—01

[52] **U.S. Cl.** ..... D22/8

[58] **Field of Search** ..... D22/7, 8; 33/233, 234, 33/235, 243, 241; 42/15

[56] **References Cited**

**U.S. PATENT DOCUMENTS**

D. 254,680	4/1980	Behlert .....	D22/8
2,842,848	7/1958	Friedrichsmeier .....	42/1.5
3,777,380	12/1973	Theodore .....	42/1.5

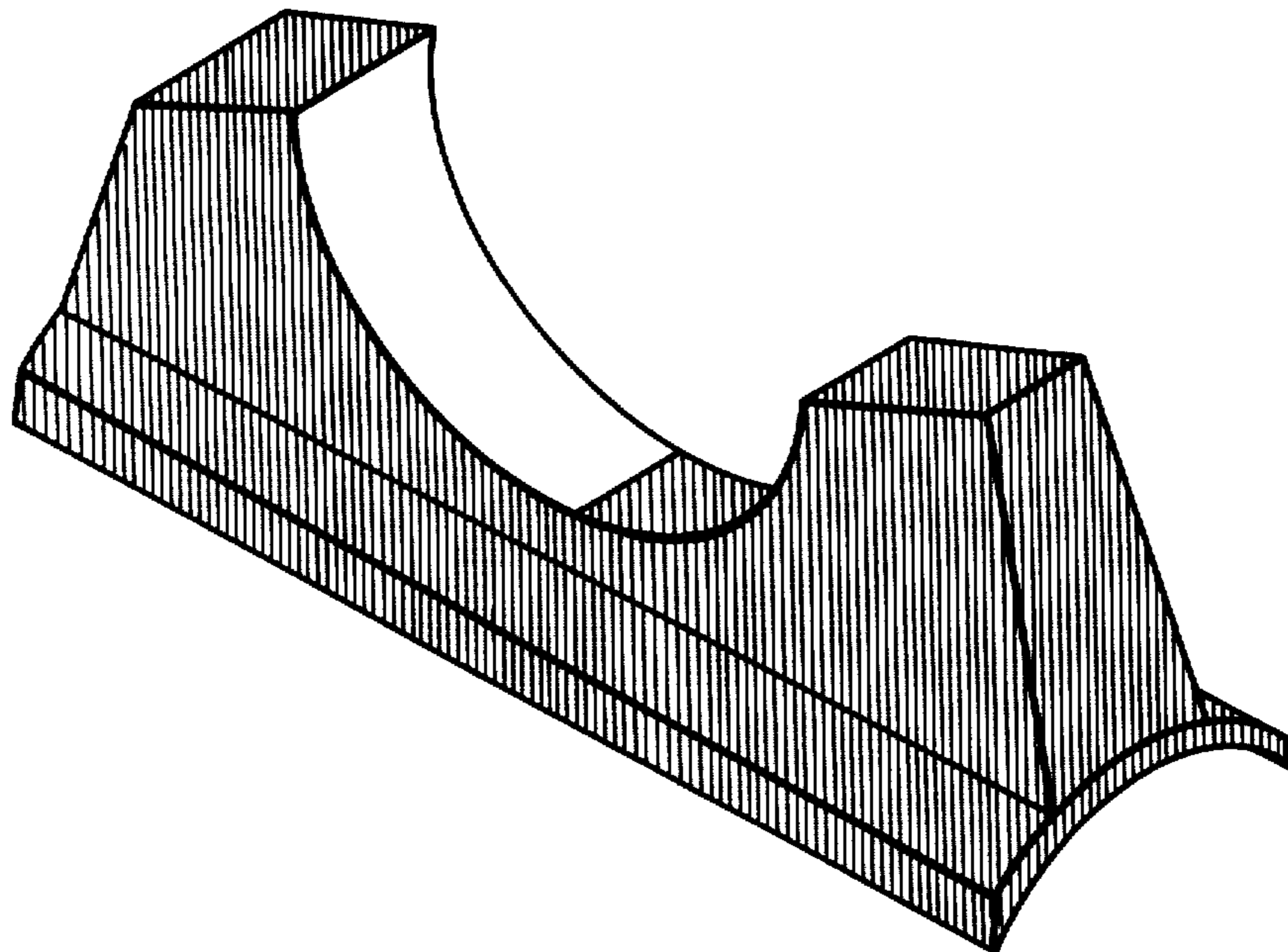
*Primary Examiner*—A. Hugo Word  
*Attorney, Agent, or Firm*—Robert P. Gibson; Anthony T. Lane; Robert O. Richardson

[57] **CLAIM**

The ornamental design for a front gun sight, substantially as shown and described.

**DESCRIPTION**

FIG. 1 is a perspective view of the front gun sight; FIG. 2 is a top plan view thereof; FIG. 3 is a left side elevational view thereof; and FIG. 4 is a rear elevational view.



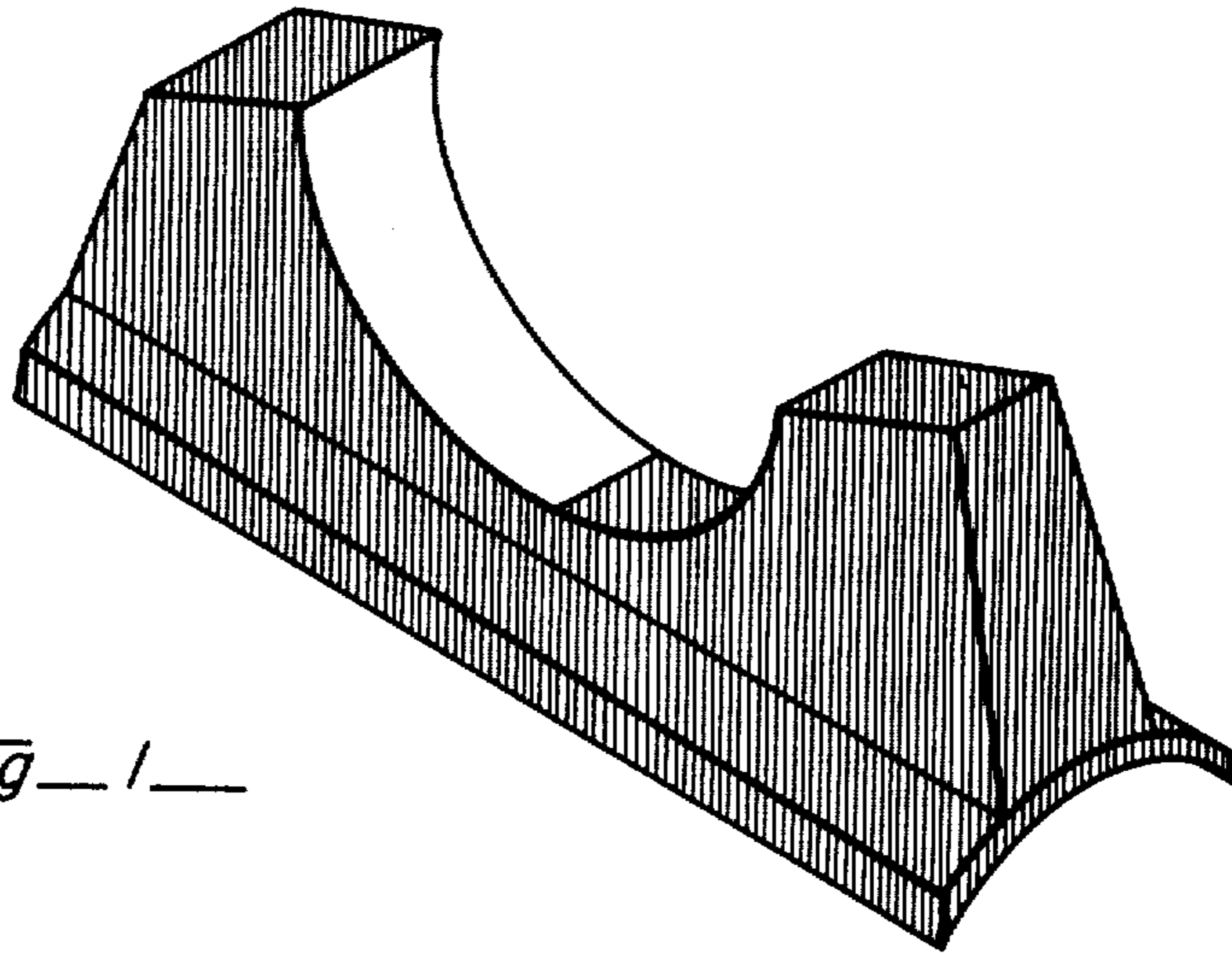


Fig. 1

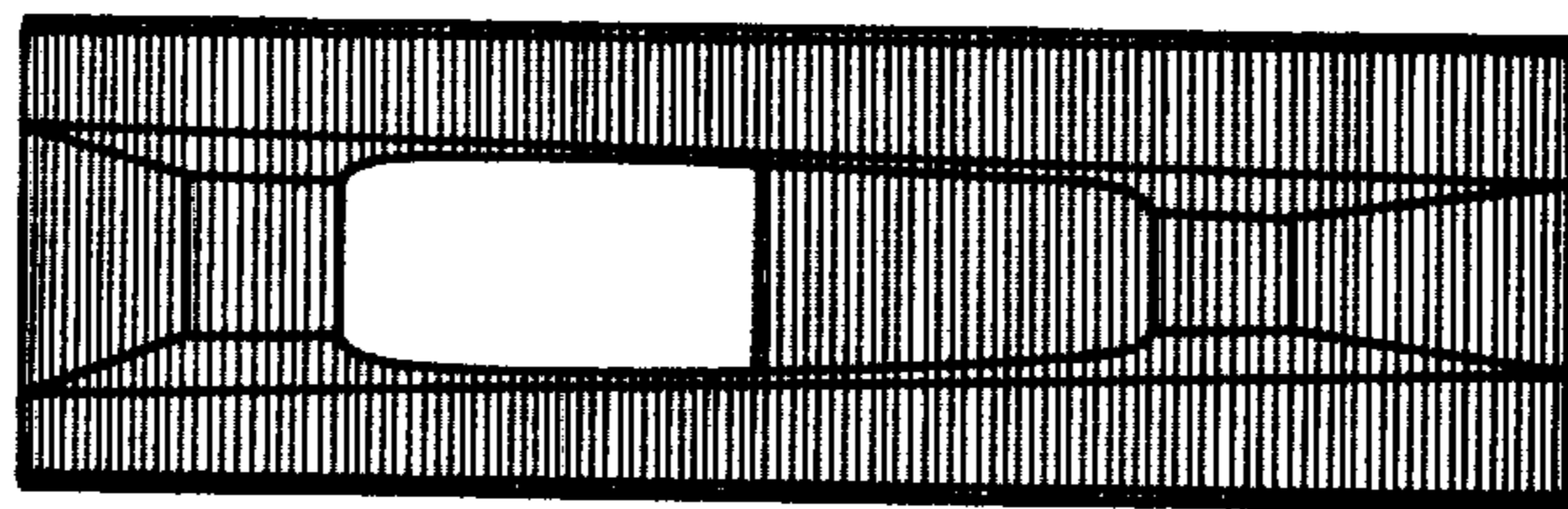


Fig. 2

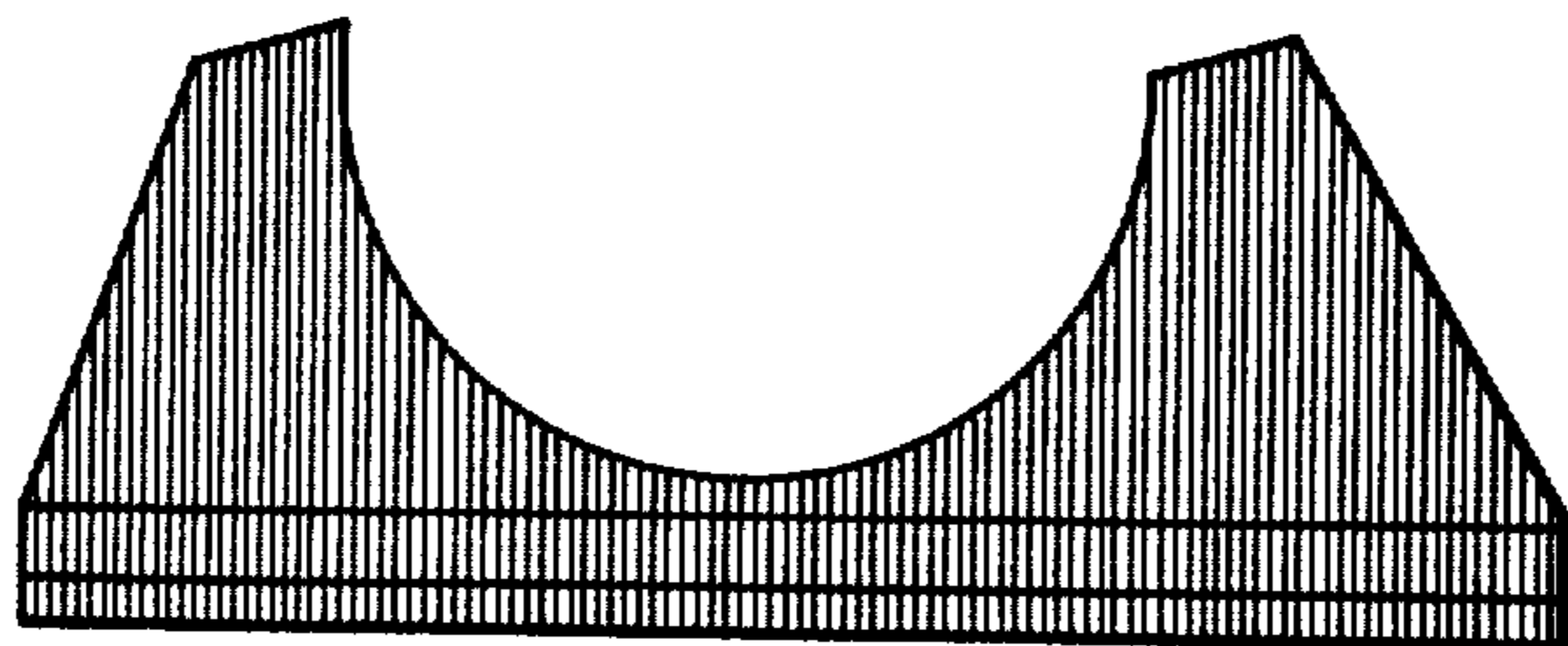


Fig. 3

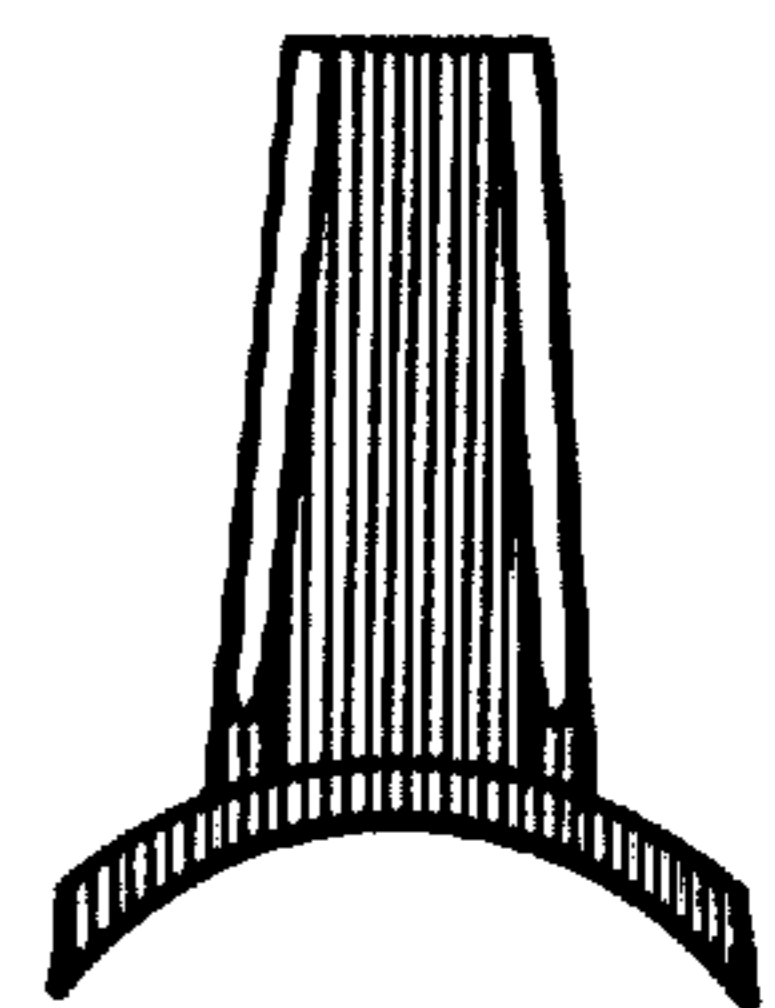


Fig. 4