

[54] ELECTRONIC ROAD RACING TOY

[75] Inventors: William K. Burtoft; Dale I. Goldberg; Thomas P. Osborne, all of Cincinnati, Ohio

[73] Assignee: CPG Products Corp., Minneapolis, Minn.

[**] Term: 14 Years

[21] Appl. No.: 301,702

[22] Filed: Sep. 14, 1981

[51] Int. Cl. D21-01

[52] U.S. Cl. D21/13; D21/142

[58] Field of Search D21/13, 142; 273/86 B, 273/86 R, 1 E; 46/1 B

[56] References Cited

U.S. PATENT DOCUMENTS

D. 265,839 8/1982 Kite et al. D21/13

Primary Examiner—Melvin B. Feifer

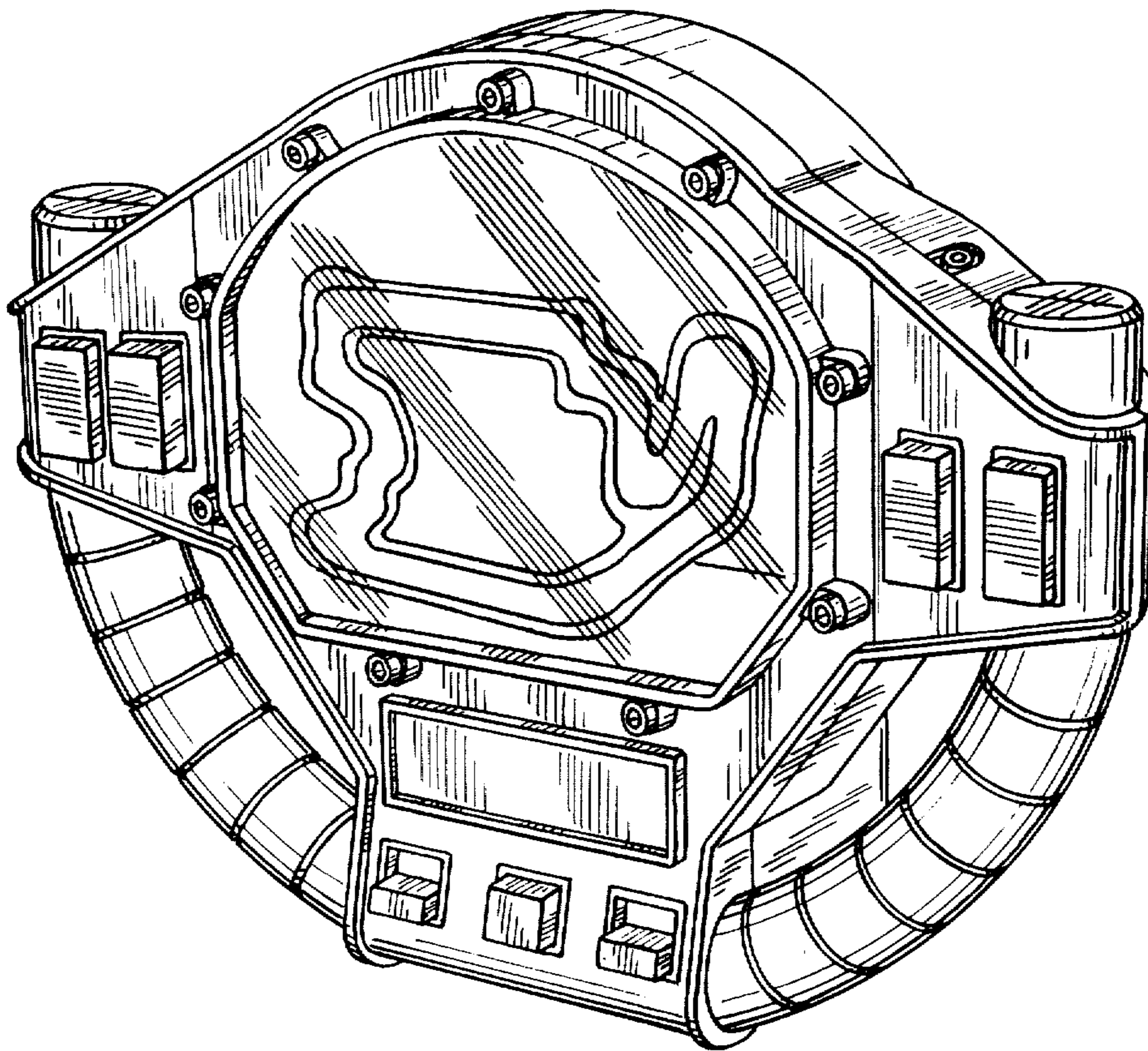
Attorney, Agent, or Firm—L. MeRoy Lillehaugen; G. O. Enockson

[57] CLAIM

The ornamental design for an electronic road racing toy, substantially as shown and described.

DESCRIPTION

FIG. 1 is a perspective view of an electronic road racing toy illustrating our new design; FIG. 2 is a top plan view thereof; FIG. 3 is a front elevational view thereof; FIG. 4 is a bottom plan view thereof; FIG. 5 is a rear elevational view thereof; and FIG. 6 is a side elevational view thereof, as viewed from the left of FIG. 3; the opposite side being substantially a mirror image thereof.



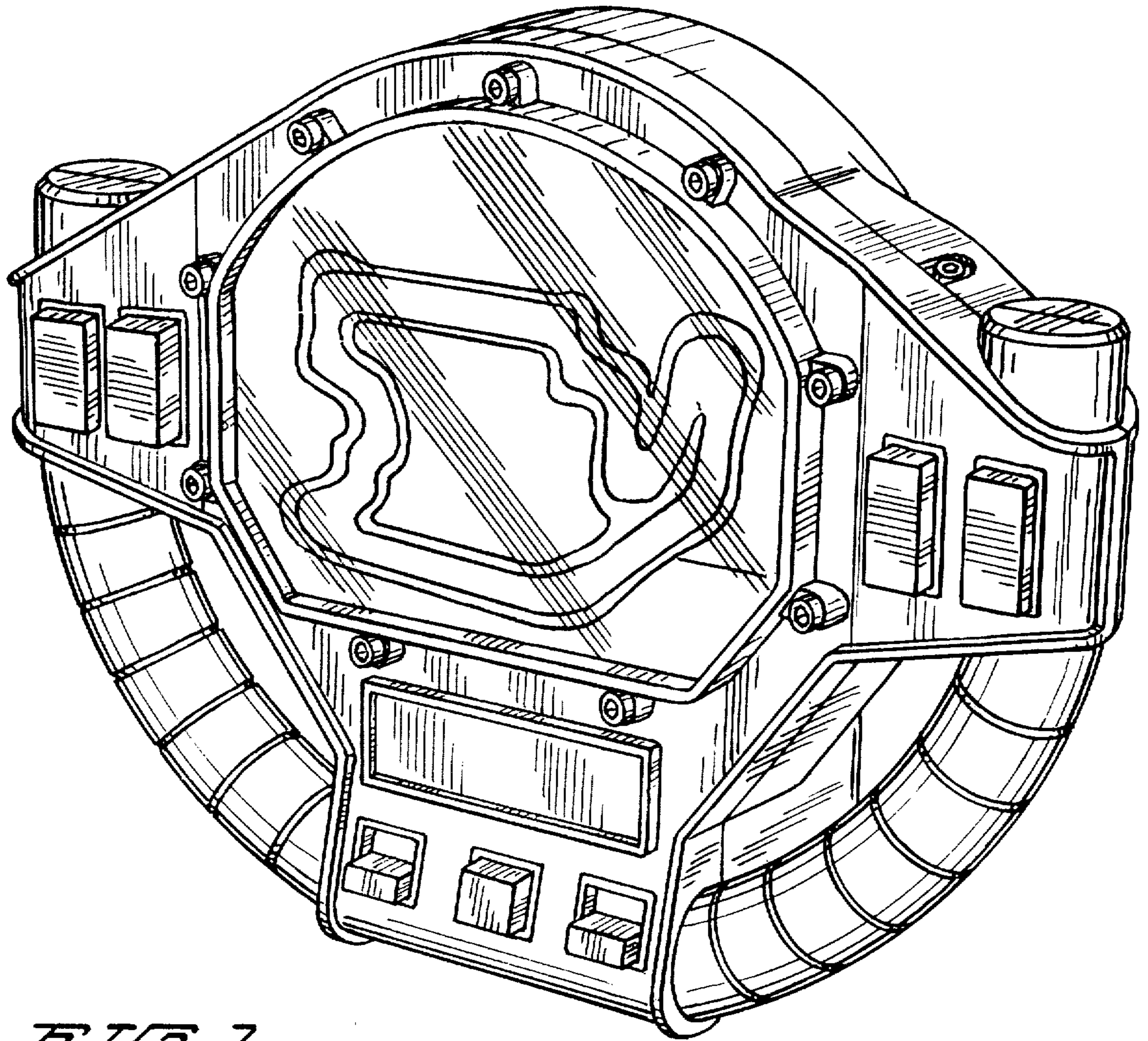


FIG. 1

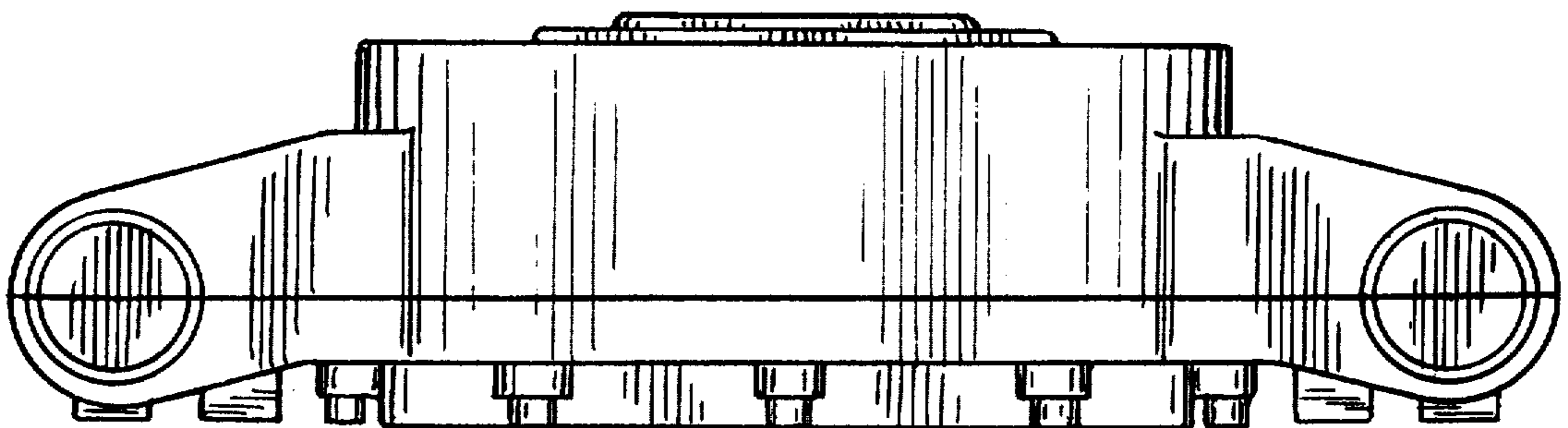


FIG. 2

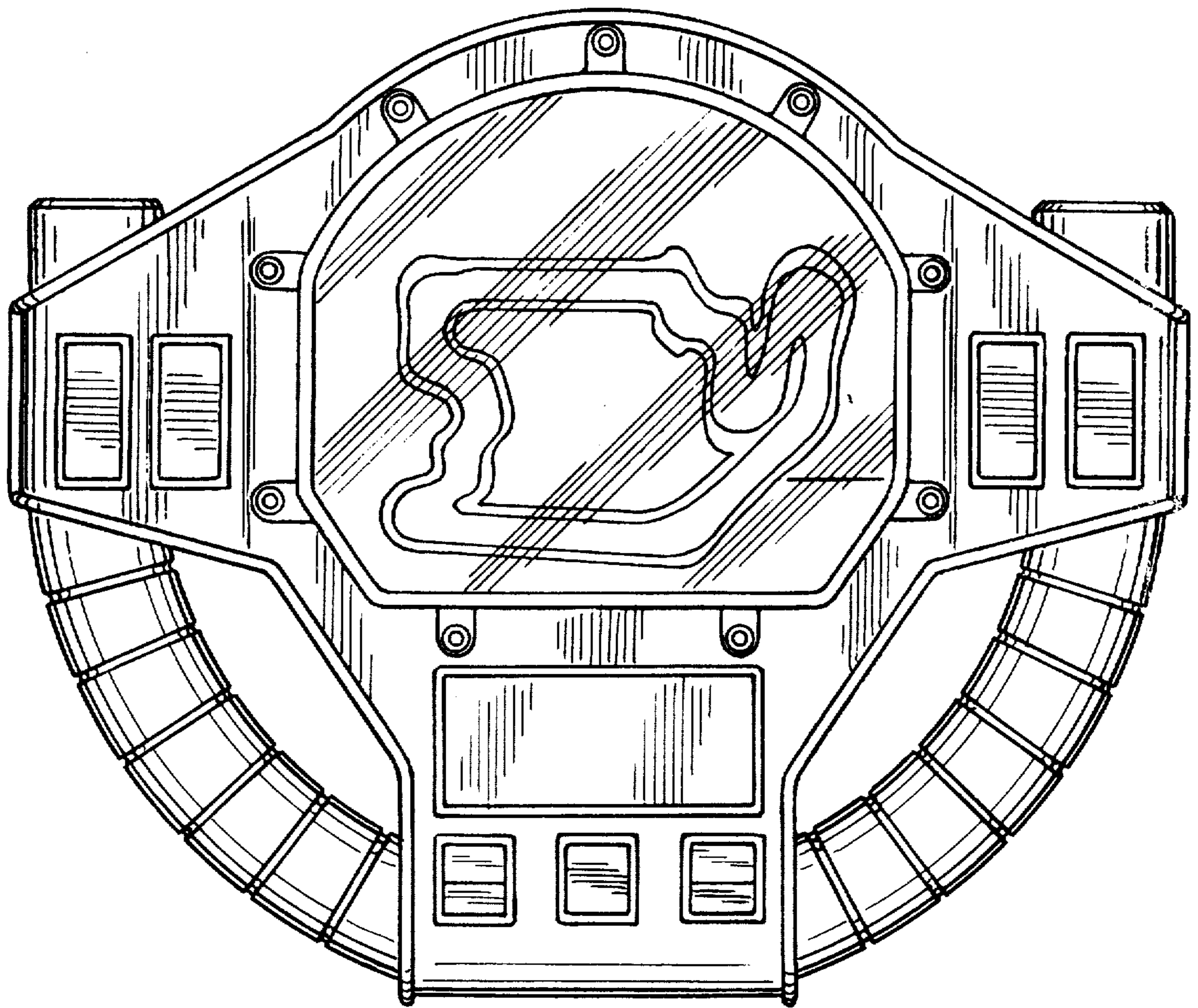


FIG. 3

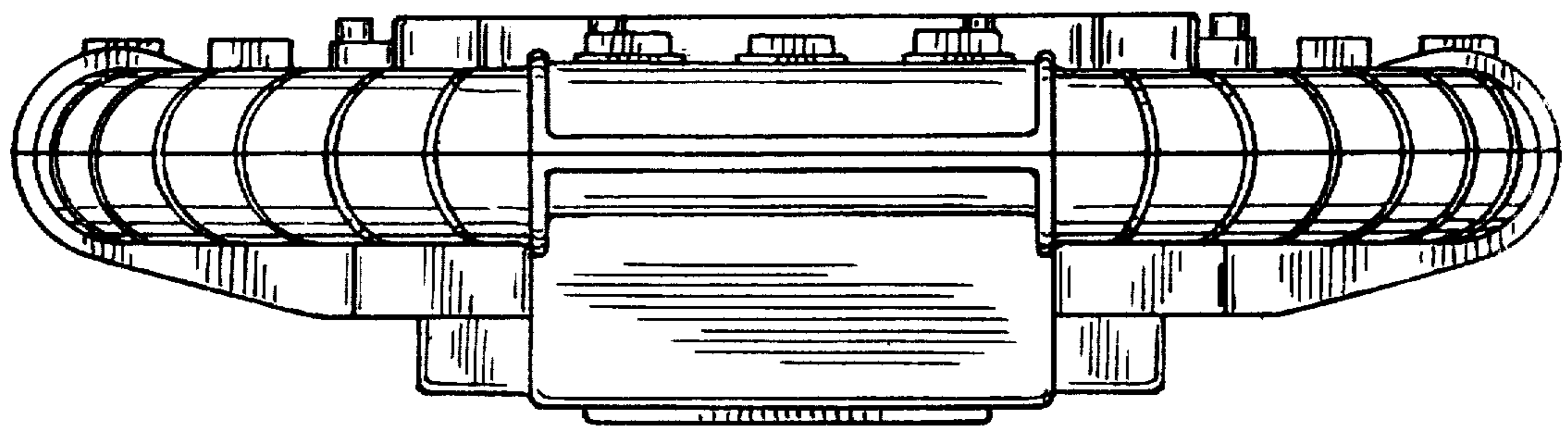


FIG. 4

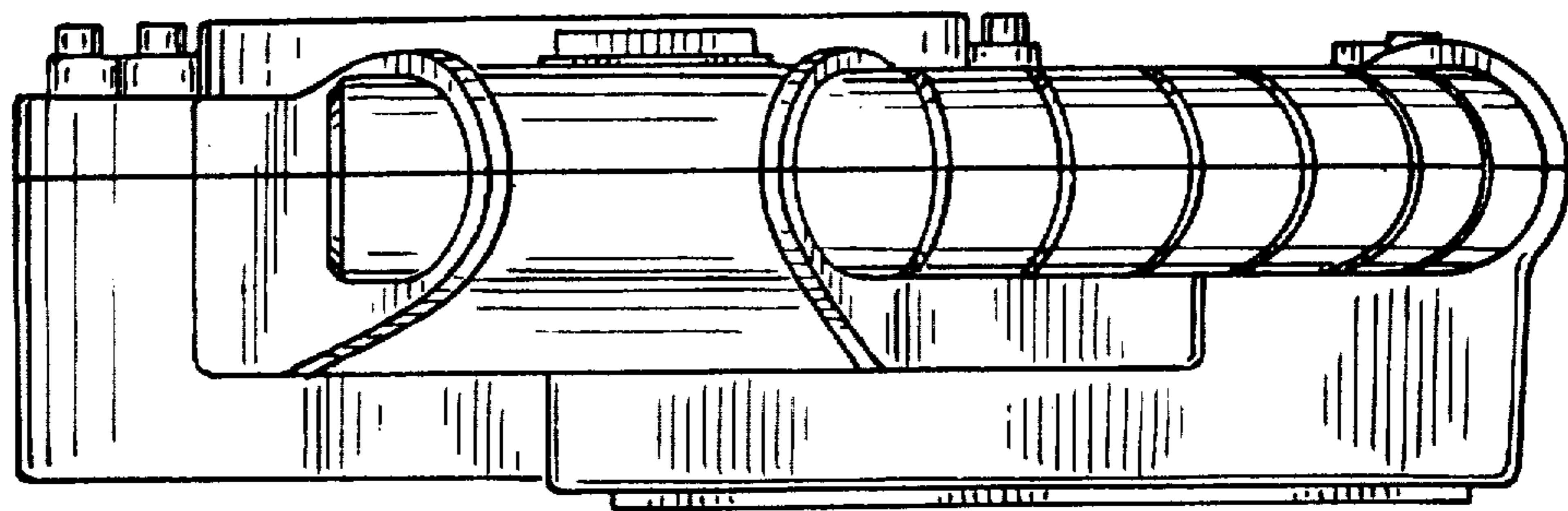


FIG. 6

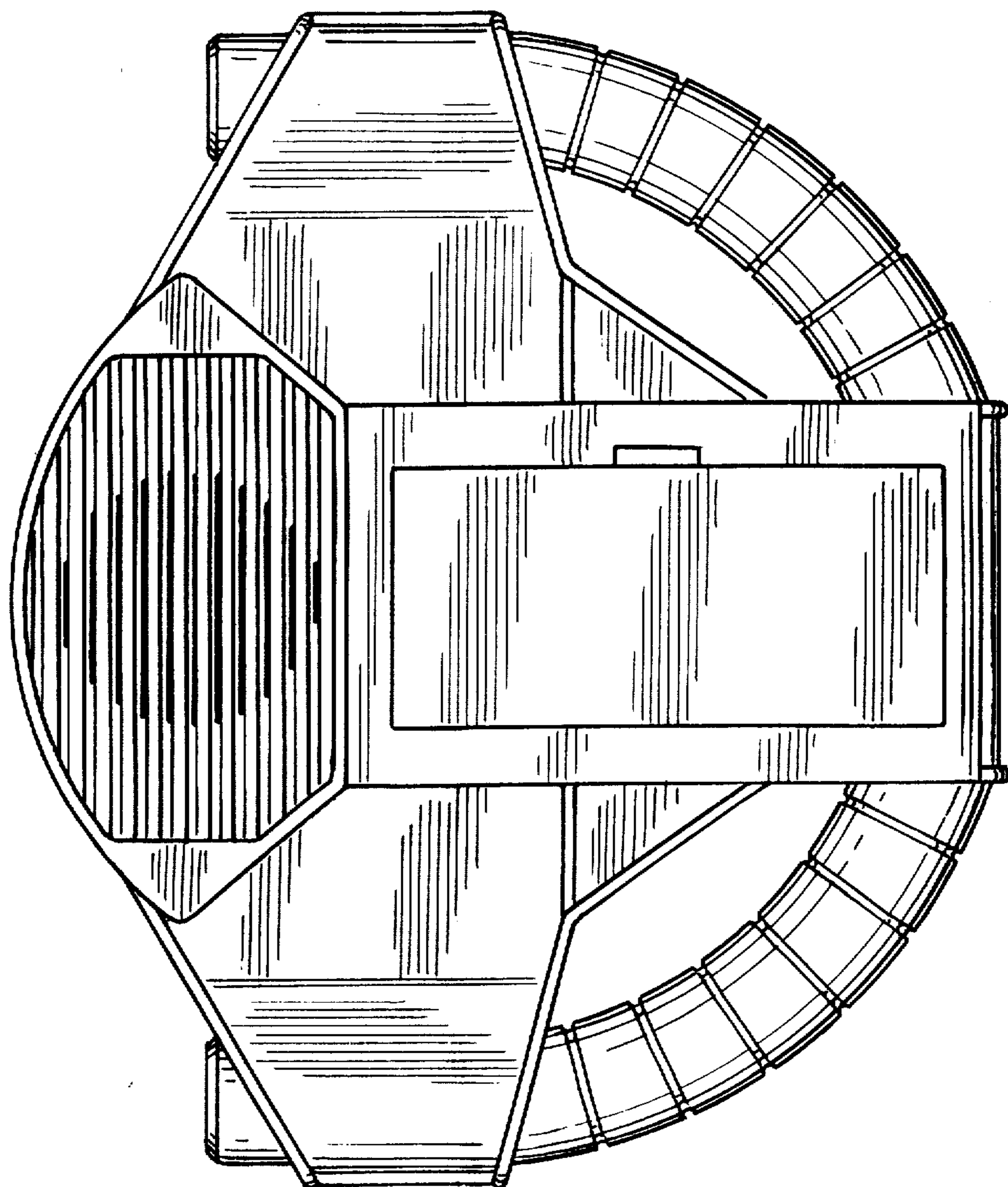


FIG. 5