

- [54] **ELECTROPHOTOGRAPHIC COPYING MACHINE**
- [75] Inventor: Mitsuru Sakurai, Musashino, Japan
- [73] Assignee: Canon Kabushiki Kaisha, Tokyo, Japan
- [**] Term: 14 Years
- [21] Appl. No.: 250,946
- [22] Filed: Apr. 6, 1981
- [30] Foreign Application Priority Data
Oct. 9, 1980 [JP] Japan 55-42194
- [51] Int. Cl. D16-03
- [52] U.S. Cl. D16/31
- [58] Field of Search D16/27-32;
355/1, 3, 8, 9, 11

- [56] **References Cited**
- U.S. PATENT DOCUMENTS**
- D. 261,147 10/1981 Lawrence D16/32
- D. 261,148 10/1981 Lawrence D16/32

- D. 264,727 6/1982 Matsuzaka D16/31
- D. 265,656 8/1982 Matsushima D16/31

Primary Examiner—Nelson C. Holtje
Attorney, Agent, or Firm—Fitzpatrick, Cella, Harper & Scinto

[57] **CLAIM**

The ornamental design for an electrophotographic copying machine, as shown and described.

DESCRIPTION

FIG. 1 is a front elevational view of an electrophotographic copying machine showing my new design; FIG. 2 is a rear elevational view thereof; FIG. 3 is a top plan view thereof; FIG. 4 is a bottom plan view thereof; FIG. 5 is a left side elevational view thereof; FIG. 6 is a right side elevational view thereof; FIG. 7 is a top and left front perspective view thereof; FIG. 8 is a top and left front perspective view thereof with the paper feeding and receiving trays in place. In FIGS. 1-7, the paper feeding and receiving trays have been omitted for ease of illustration and clarity.

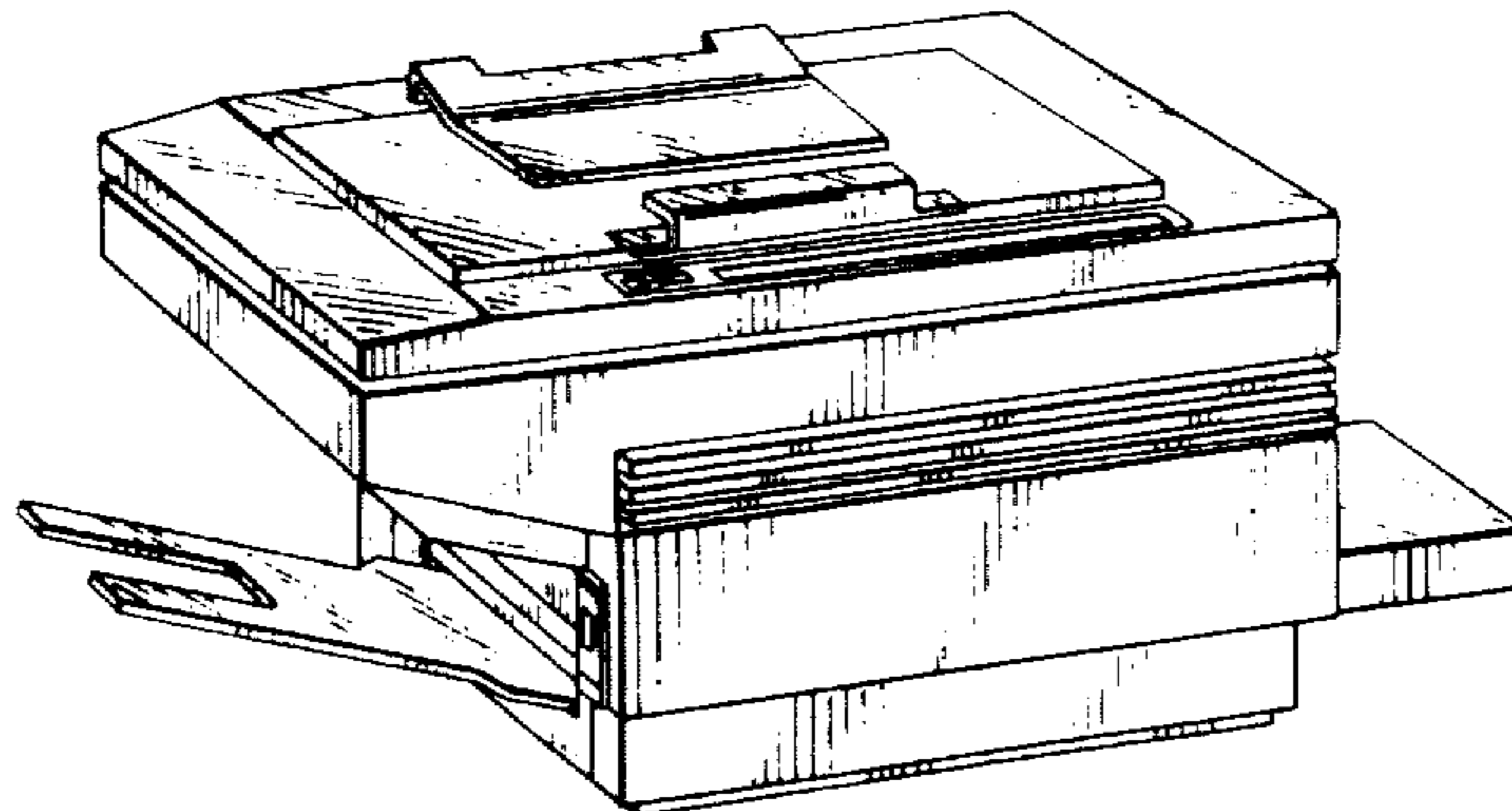


FIG. 1

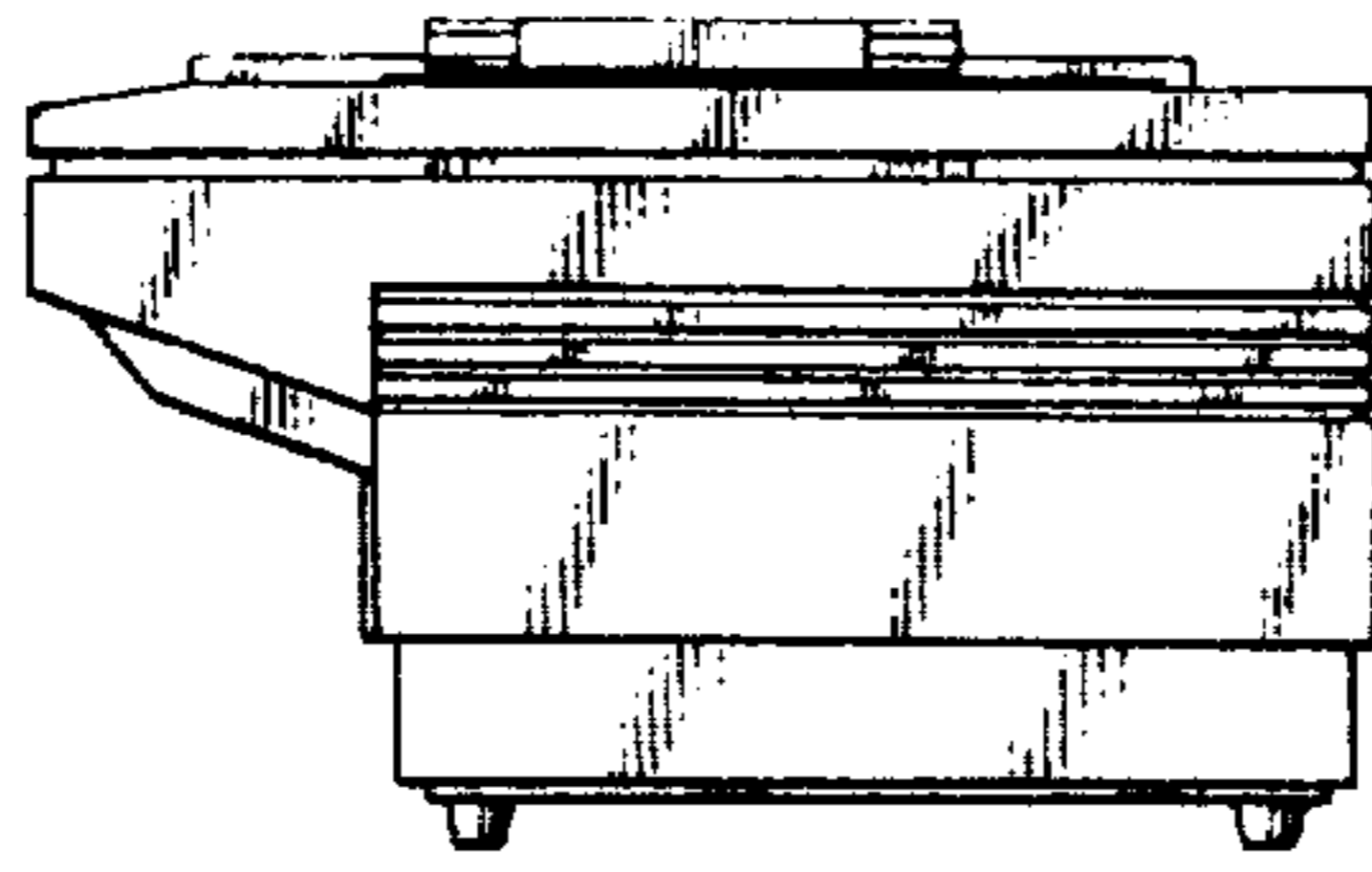


FIG. 2

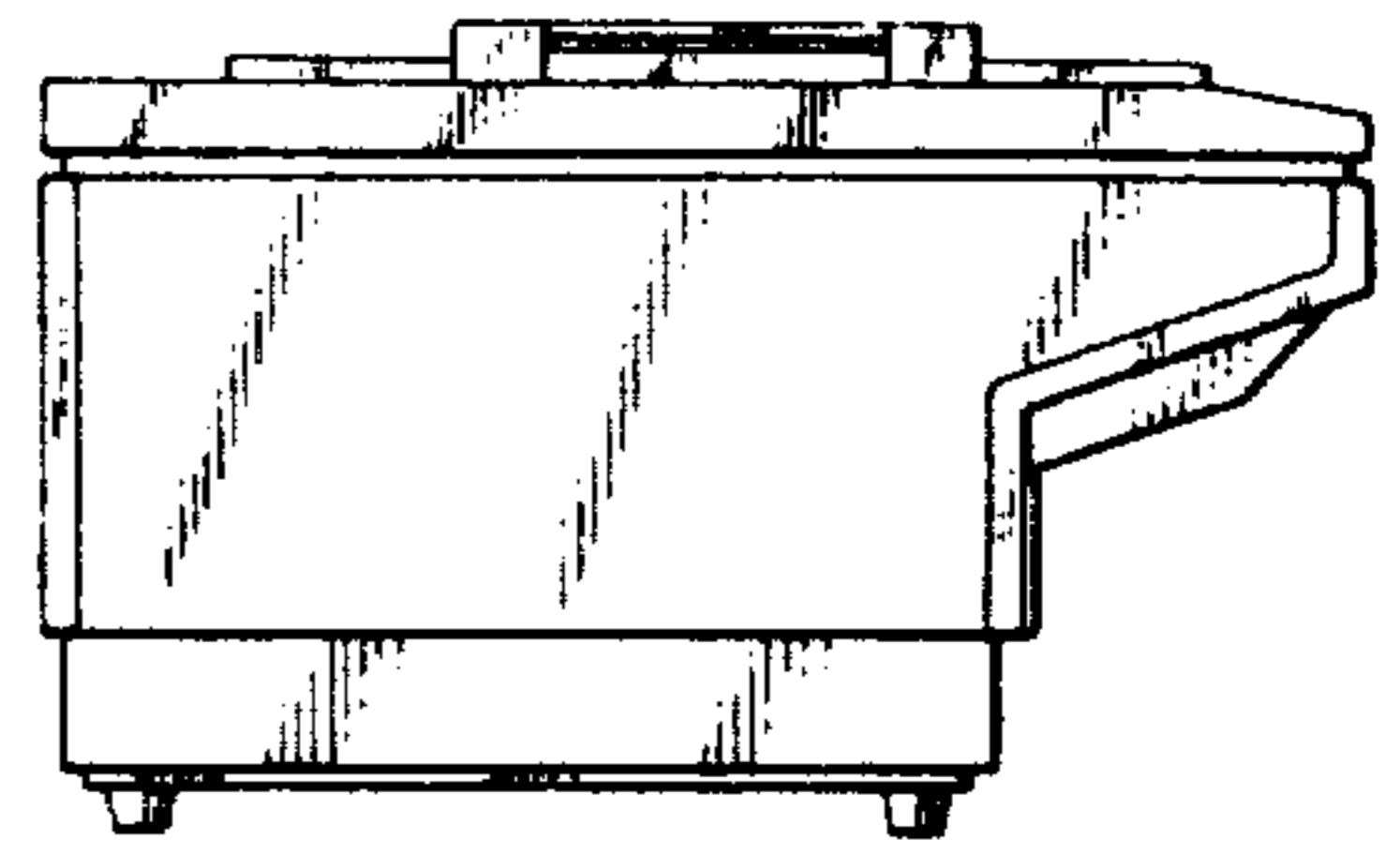


FIG. 3

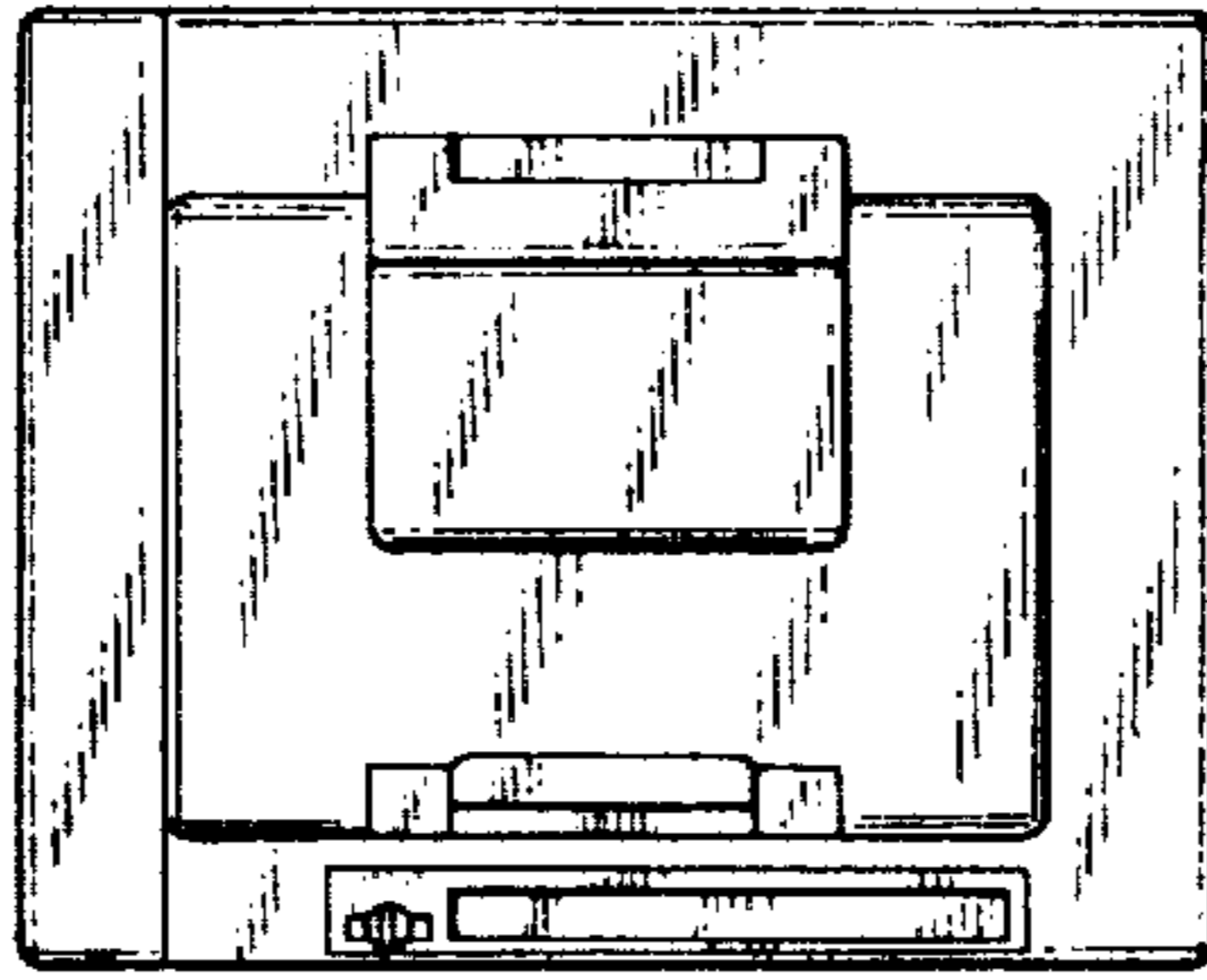


FIG. 4

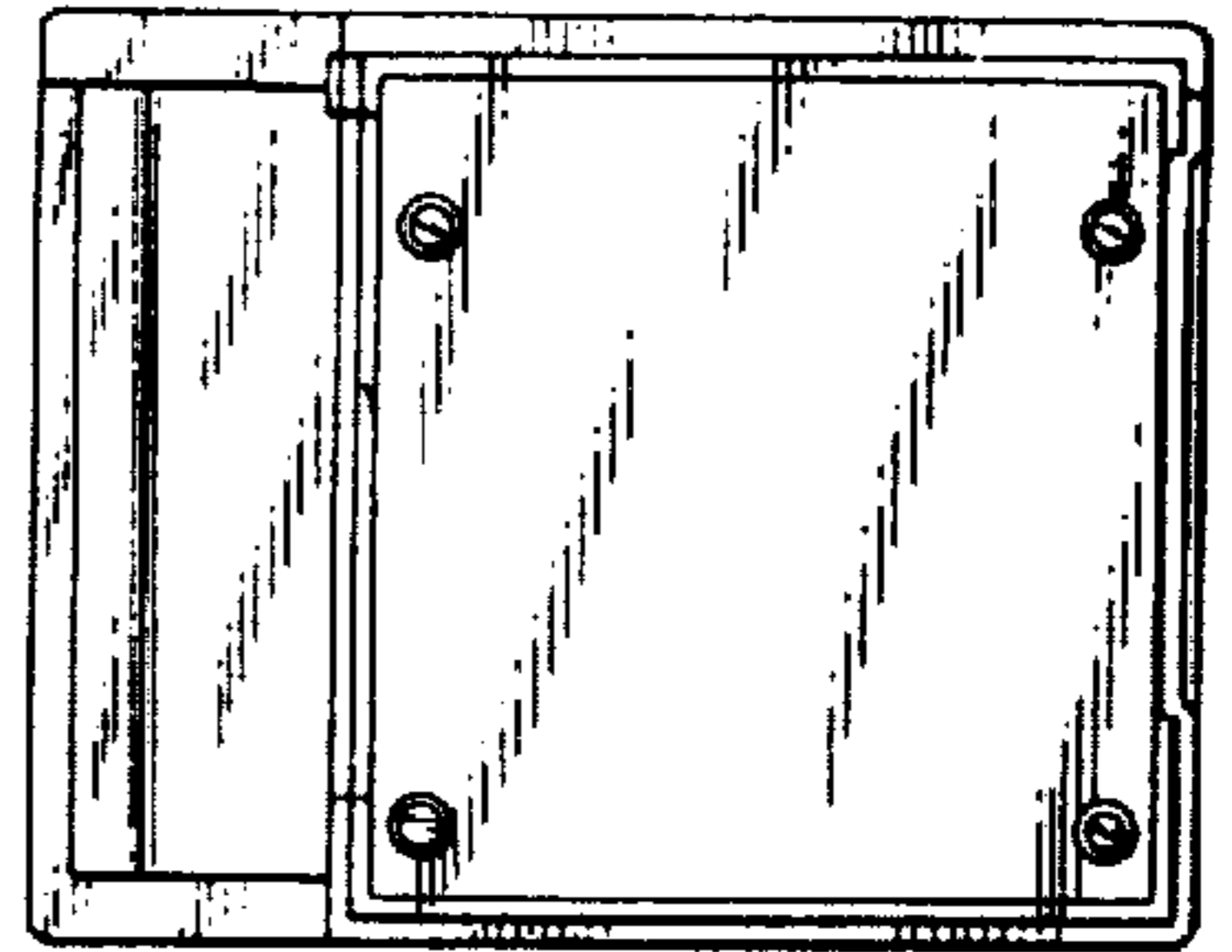


FIG. 5

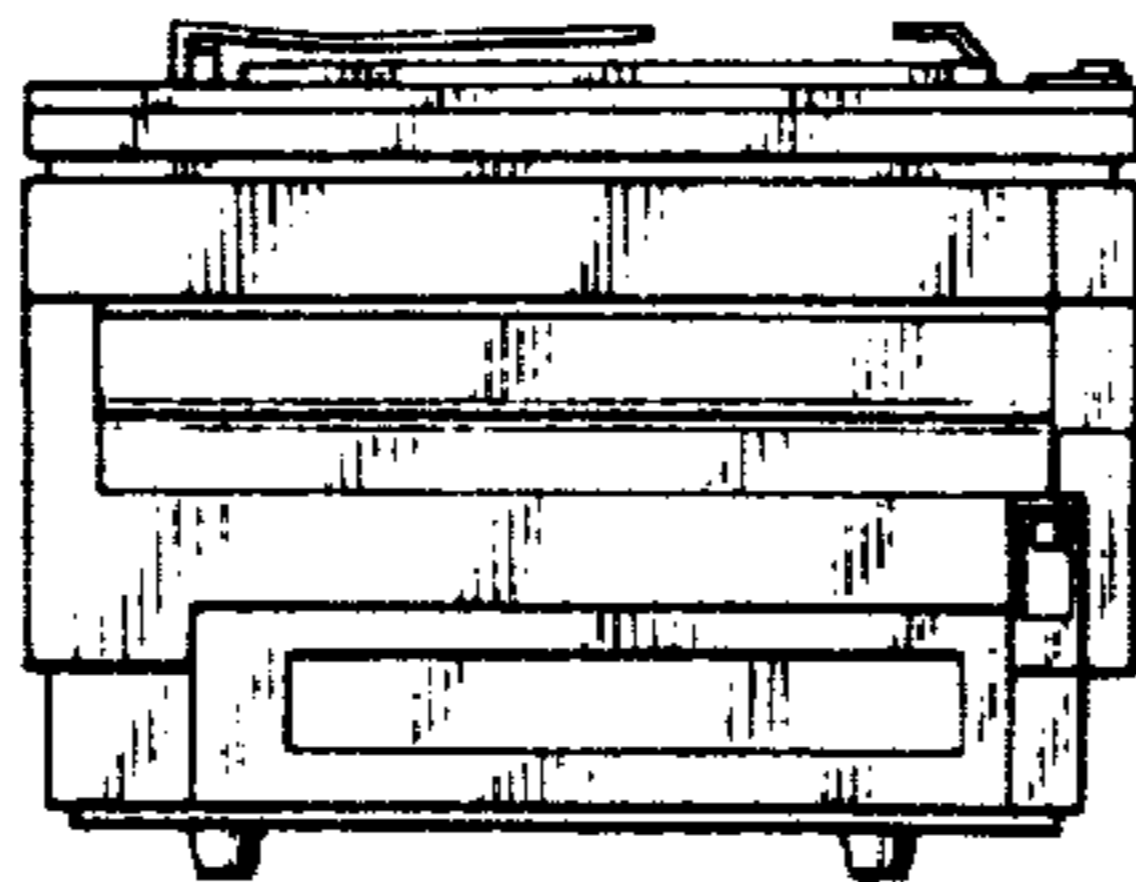


FIG. 6

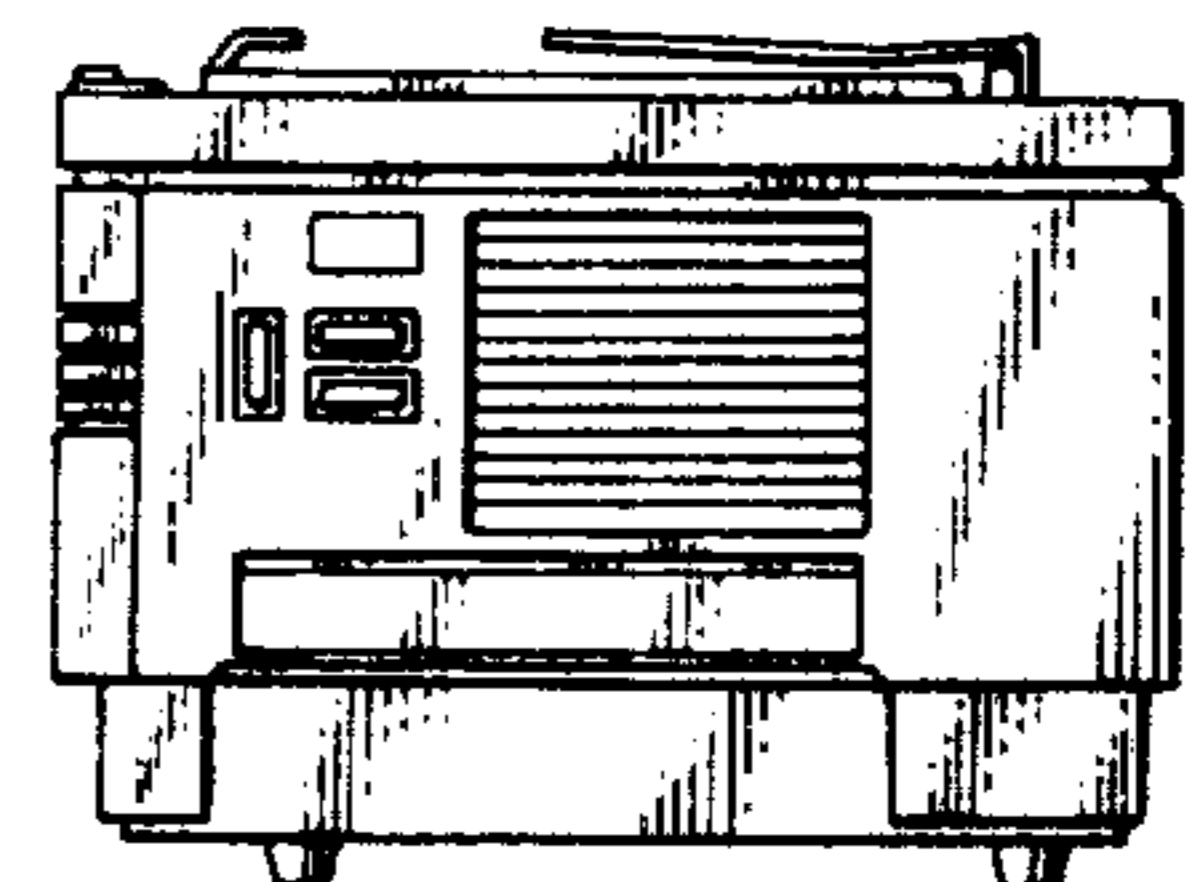


FIG. 7

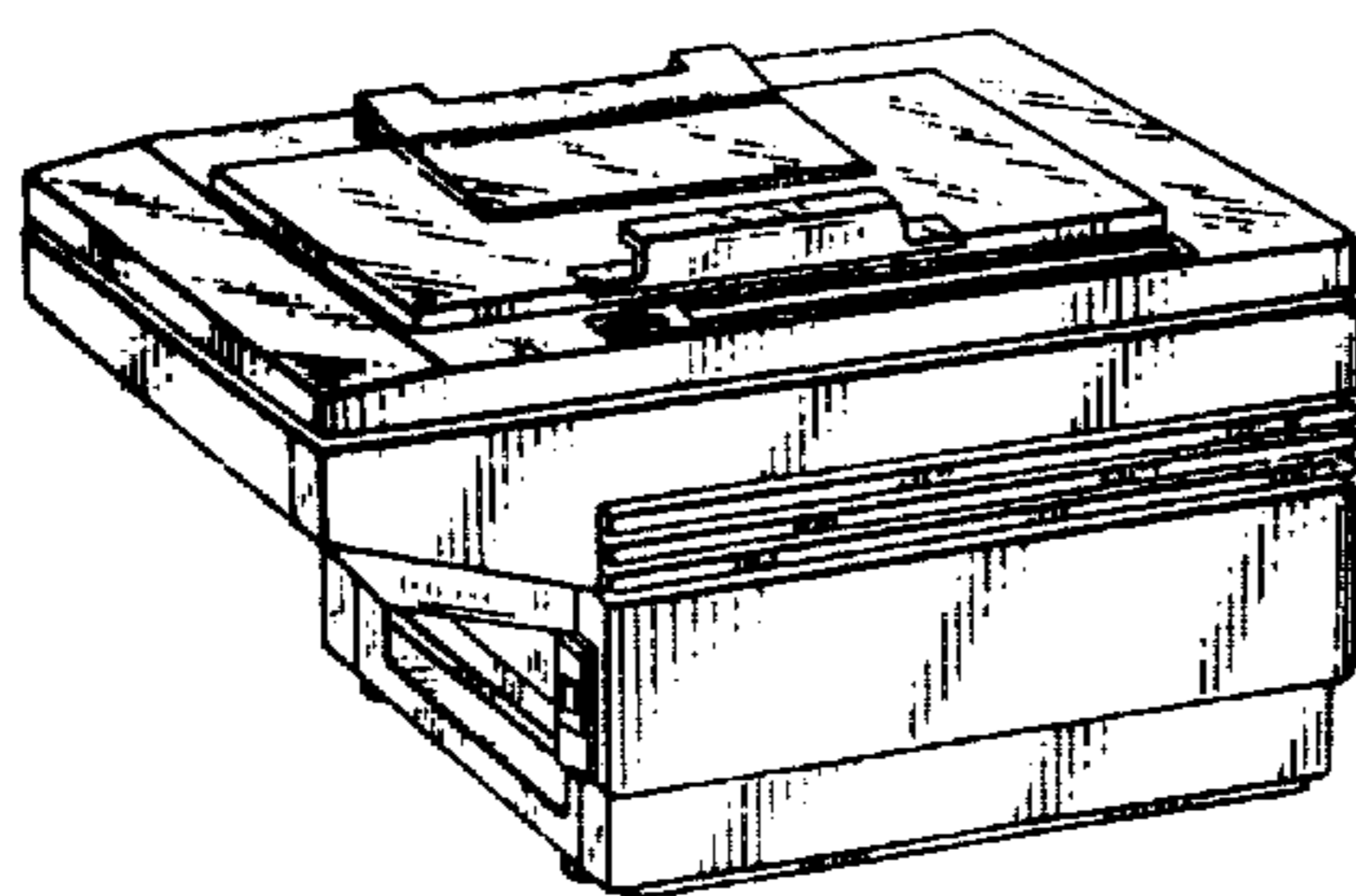


FIG. 8

