

[54] LOUDSPEAKER

[75] Inventors: Hari Matsuda, Skokie; Keith F. Urban, Elk Grove Village, both of Ill.

[73] Assignee: International Jensen Incorporated, Schiller Park, Ill.

[**] Term: 14 Years

[21] Appl. No.: 264,435

[22] Filed: May 18, 1981

[51] Int. Cl. D14-01

[52] U.S. Cl. D14/33; D14/38; D14/39

[58] Field of Search D14/30-33, D14/37-39; D6/27; 179/1 E; 181/145, 176

[56] References Cited

U.S. PATENT DOCUMENTS

- D. 220,629 5/1971 Shimizu D14/33
- D. 253,376 11/1979 Hornblad D6/27 X
- 3,329,235 7/1967 Shaper 181/176 X

FOREIGN PATENT DOCUMENTS

958650 12/1974 Canada 181/145

OTHER PUBLICATIONS

Home Furnishings Daily, 5-30-73, p. 14, Hitachi System Speakers.

Primary Examiner—Jane E. Corrigan
Attorney, Agent, or Firm—Hume, Clement, Brinks, Willian & Olds, Ltd.

[57] CLAIM

The ornamental design for a loudspeaker, as shown and described.

DESCRIPTION

FIG. 1 is a front and top perspective view of a loudspeaker showing our new design; FIG. 2 is a bottom plan view; FIG. 3 is a rear elevational view; FIG. 4 is a rear and bottom perspective view; FIG. 5 is a top plan view; and FIG. 6 is a right side elevational view, the left side being a mirror image thereof.

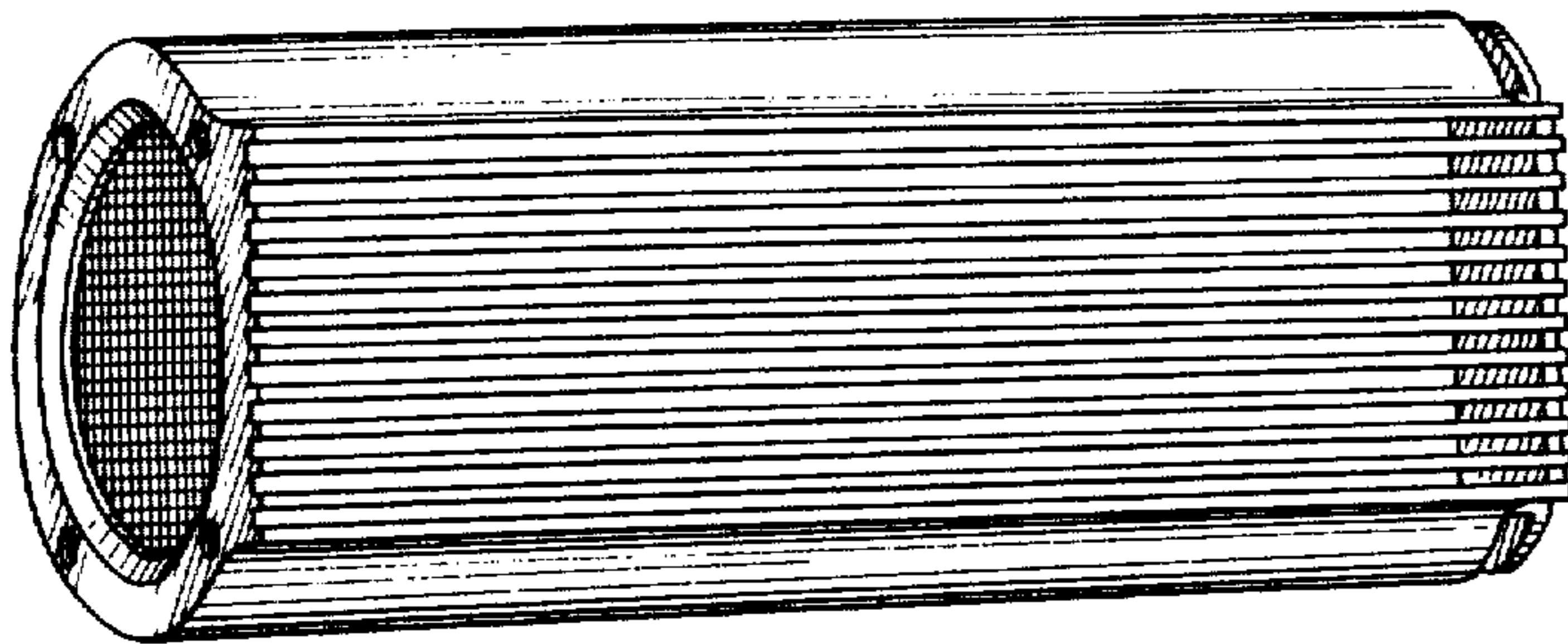


Fig. 1.

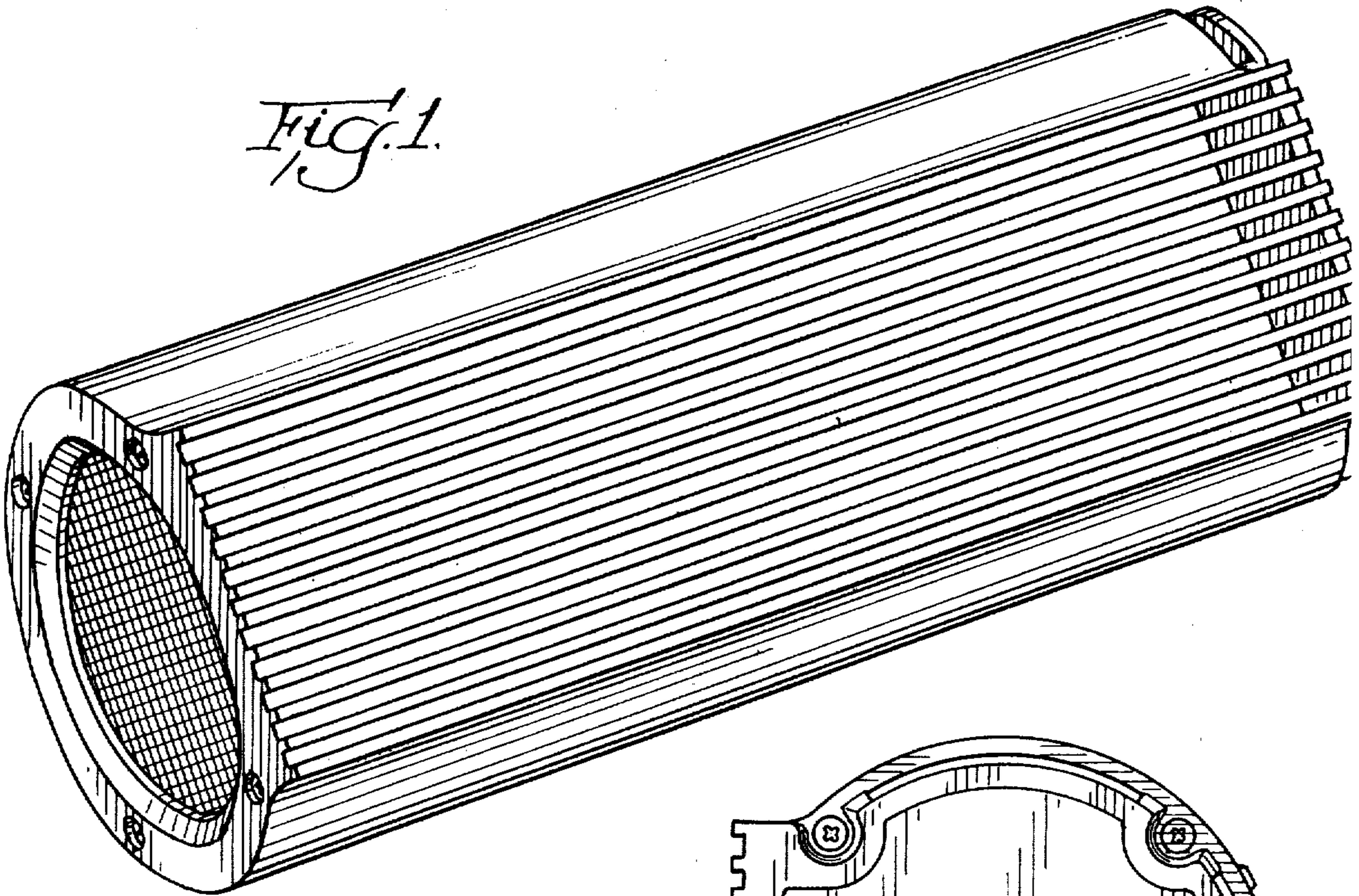


Fig. 2.

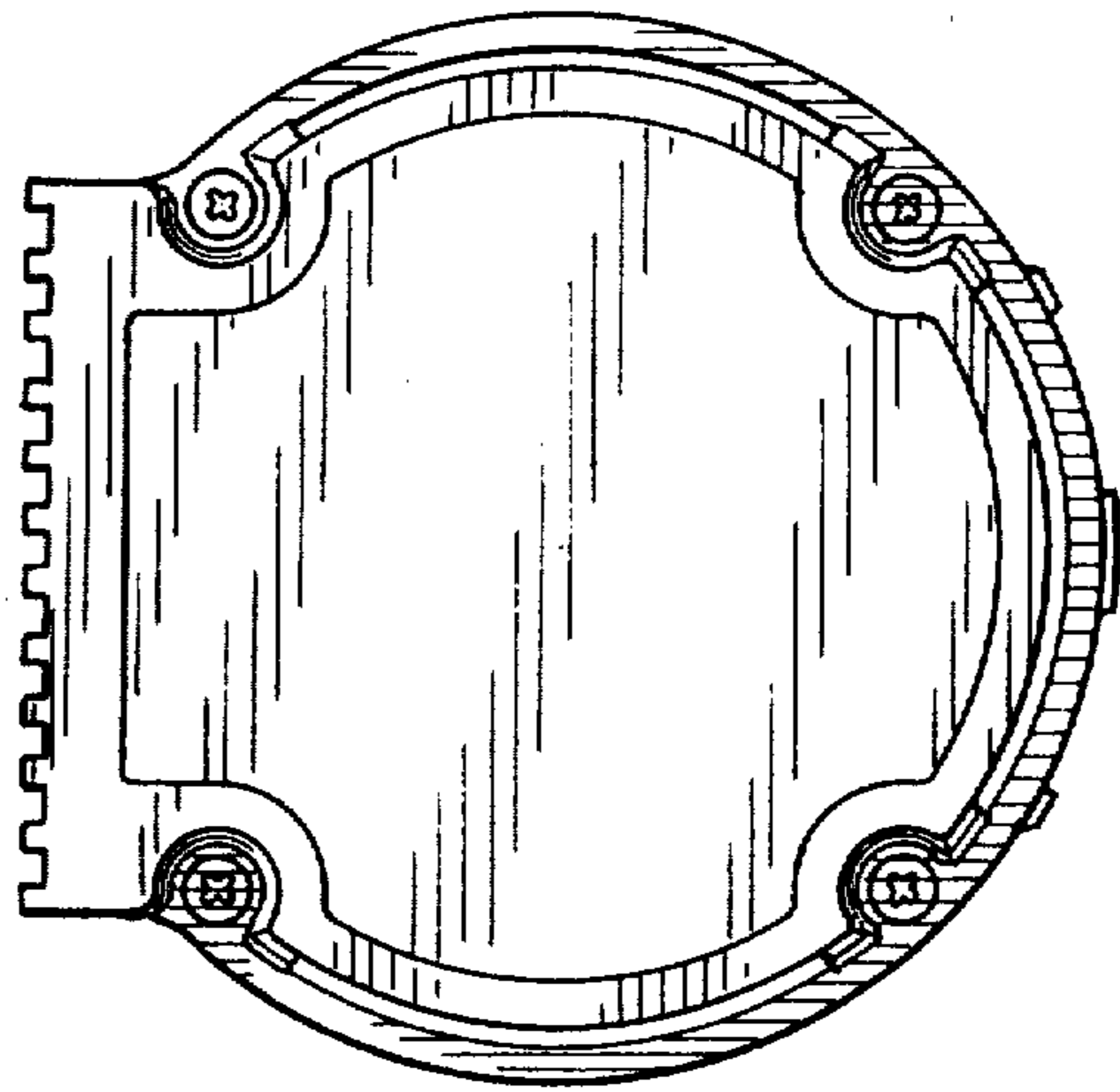


Fig. 3.

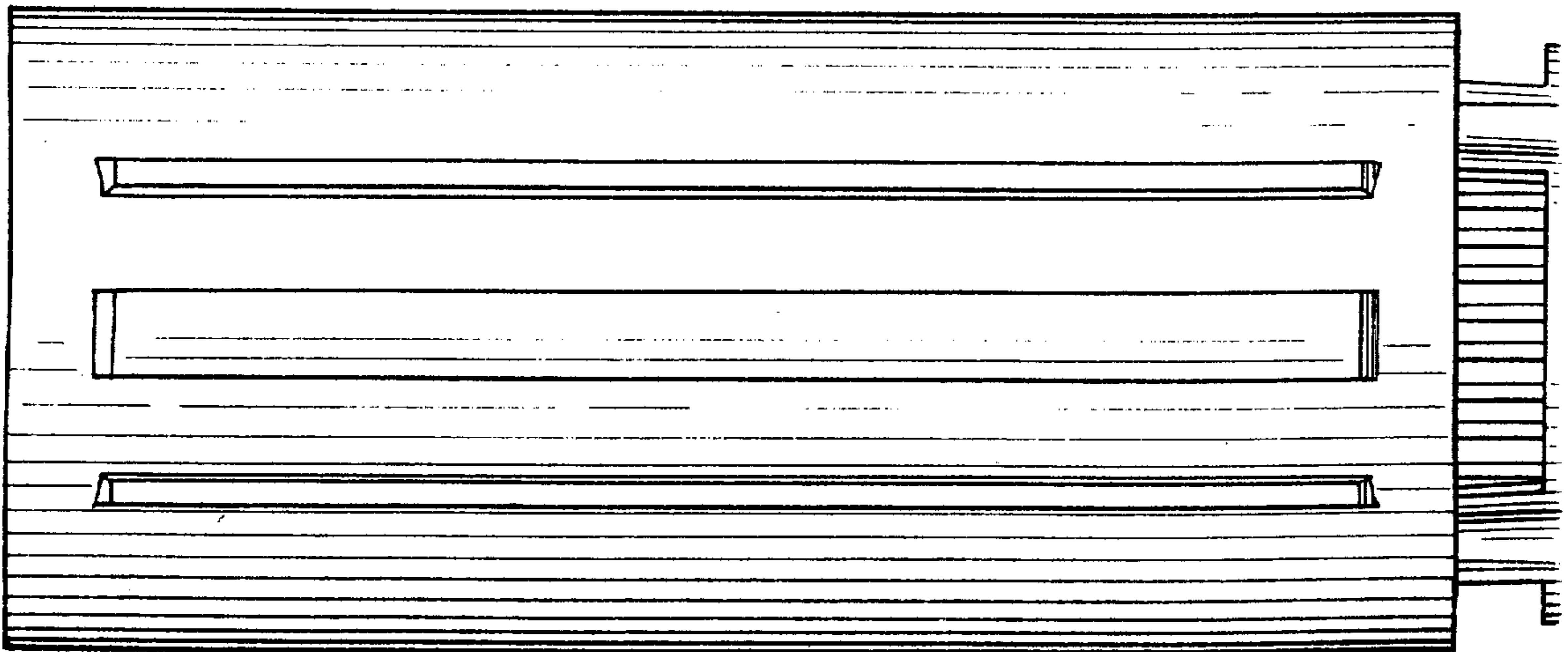


Fig. 4.

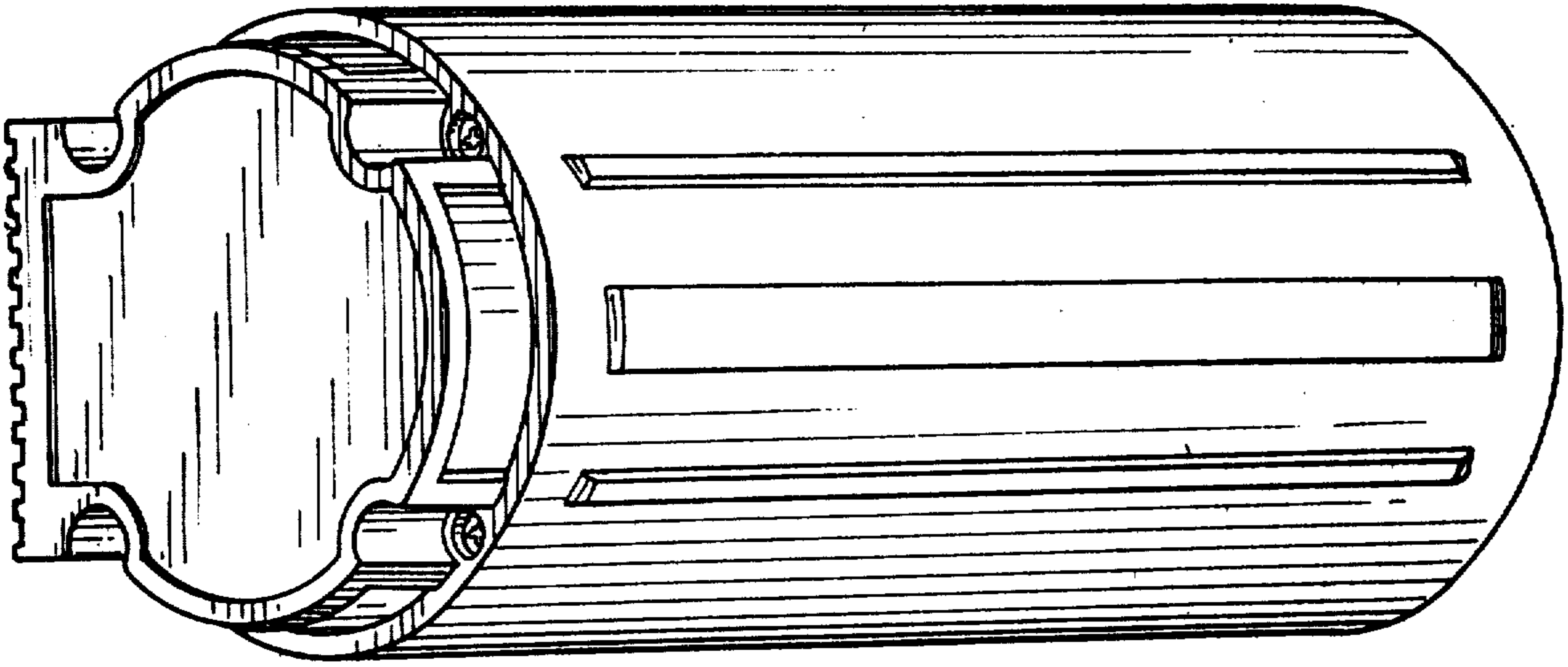


Fig. 5.

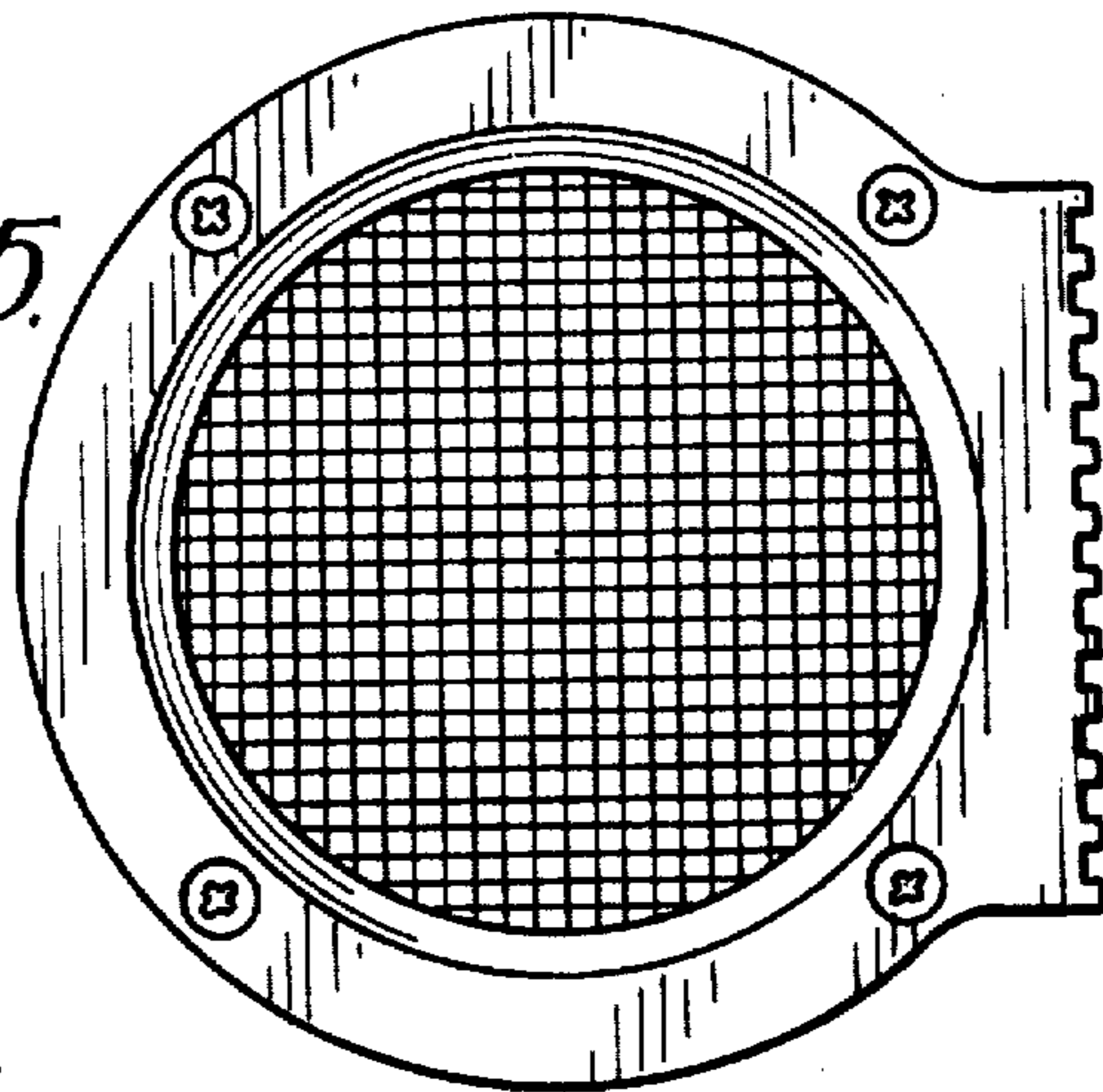


Fig. 6.

