

[54] **TOOL OPERATOR FOR TOOL-OPERATED LOCKS**

[75] Inventor: **Lee S. Weinerman**, Strongsville, Ohio

[73] Assignee: **The Eastern Company**, Cleveland, Ohio

[**] Term: **14 Years**

[21] Appl. No.: **199,547**

[22] Filed: **Oct. 22, 1980**

[51] Int. Cl. **D8—99**

[52] U.S. Cl. **D8/21; D8/330; D8/331; D8/28**

[58] Field of Search **D8/330, 331, 21; 81/90**

[56] **References Cited**

U.S. PATENT DOCUMENTS

Re. 22,681 10/1945 Bugg .
 Re. 27,616 4/1973 Diaz .
 150,091 4/1874 Smith .
 D. 264,300 5/1982 Imm D8/21 X
 1,624,767 4/1927 Schwemlein .
 1,715,032 5/1929 Hoegger .
 2,193,477 3/1940 DeVellier .
 2,244,046 6/1941 Bradshaw .
 2,286,950 5/1942 Breedlove .
 2,340,864 2/1944 Carpenter .
 2,362,999 11/1944 Hewitt .
 2,372,269 3/1945 Golan .
 2,397,216 3/1946 Stellin .
 2,437,381 3/1948 Cullen .
 2,445,525 7/1948 Gulden .
 2,451,747 10/1948 Kindt .
 2,458,391 1/1949 Lavietes .
 2,500,653 3/1950 Berg .
 2,676,479 4/1954 Bethune .
 2,708,844 5/1955 Cincel .
 2,741,289 4/1956 Grow .
 2,770,998 11/1956 Schwartz .
 2,813,450 11/1957 Dzus .
 2,839,322 6/1958 Kirk .
 2,847,894 8/1958 Smith et al. .
 2,848,024 8/1958 Smith et al. .
 2,969,250 1/1961 Kull .
 3,023,041 2/1962 Pluylaar .
 3,034,386 5/1962 Corlett et al. .

3,060,785 10/1962 Corlett et al. .
 3,060,786 10/1962 Flower .
 3,065,012 11/1962 Trotter .
 3,088,140 5/1963 Carlson .
 3,106,862 10/1963 Briles .
 3,116,081 12/1963 Goodridge .
 3,122,963 3/1964 Borgeson .
 3,146,010 8/1964 Dellith .
 3,174,383 3/1965 Heil .
 3,190,169 6/1965 Rosan .
 3,213,719 10/1965 Kloack .
 3,222,976 12/1965 Holman .
 3,236,141 2/1966 Smith .
 3,236,275 2/1966 Smith .
 3,237,436 3/1966 Williams .
 3,241,408 3/1966 McCauley .
 3,244,442 4/1966 Arbogast .
 3,279,838 10/1966 Hamilton .
 3,282,145 11/1966 Prescott .
 3,302,672 2/1967 Walton .
 3,363,500 1/1968 Simko .
 3,368,443 2/1968 Faul .
 3,369,441 2/1968 Kosar .
 3,379,231 4/1968 Gallo, Sr. .
 3,411,396 11/1968 Herpich .
 3,446,046 5/1969 Randel .
 3,449,988 6/1969 Gallo, Sr. .
 3,463,209 8/1969 Podolsky .
 3,470,786 10/1969 Martins .
 3,492,841 2/1970 Ipri .
 3,498,173 3/1970 Wright .
 3,519,979 7/1970 Bodenstein .
 3,549,184 12/1970 Anderson .
 3,575,080 4/1971 Hannay .
 3,604,487 9/1971 Gilbert .
 3,656,396 4/1972 Gutshall .
 3,658,105 4/1972 Burt et al. .
 3,674,075 7/1972 Hoegge .
 3,695,321 10/1972 Garehime, Jr. .
 3,730,048 5/1973 Okada .
 3,738,136 6/1973 Falk .
 3,763,725 10/1973 Reiland .
 3,808,937 5/1974 Roehrig .
 3,812,757 5/1974 Reiland .
 3,821,975 7/1974 Haker .
 3,859,888 1/1975 Okada .
 3,865,007 2/1975 Stanback .
 3,872,904 3/1975 Barlow .
 3,874,258 4/1975 Semola et al. .
 3,888,144 6/1975 Parsons .
 3,892,031 7/1975 Bisbing .

3,921,494 11/1975 Coe .
3,929,152 12/1975 Graham .
3,935,877 2/1976 Franceschi .
3,967,432 7/1976 Starr .
3,978,614 9/1976 Goldhaber .
4,006,660 2/1977 Yamamoto et al. .
4,018,111 4/1977 Goldhaber .
4,025,140 5/1977 Matys .
4,027,572 6/1977 Burge .
4,033,003 7/1977 Marroquin .
4,033,244 7/1977 Jacobson .
4,037,514 7/1977 Lliteras .
4,047,266 9/1977 Bisbing .
4,079,643 3/1978 Evans .
4,091,708 5/1978 Jacobson .
4,128,038 12/1978 Urwin .
4,145,978 3/1979 Johnson et al. .
4,146,073 3/1979 Lliteras .

OTHER PUBLICATIONS

J. C. Whitney & Co., Cat. No. 336, ©1975, p. 46, Inside Door Handle Tools.

Primary Examiner—Bernard Ansher
Attorney, Agent, or Firm—David A. Burge

[57] CLAIM

The ornamental design for a tool operator for tool operated locks, as shown and described.

DESCRIPTION

FIG. 1 is a perspective view of a tool operator for tool-operated locks embodying the design of my new design; FIG. 2 is a top plan view thereof; FIG. 3 is a right end elevational view thereof; FIG. 4 is a front side elevational view thereof; and FIG. 5 is a left end elevational view thereof.

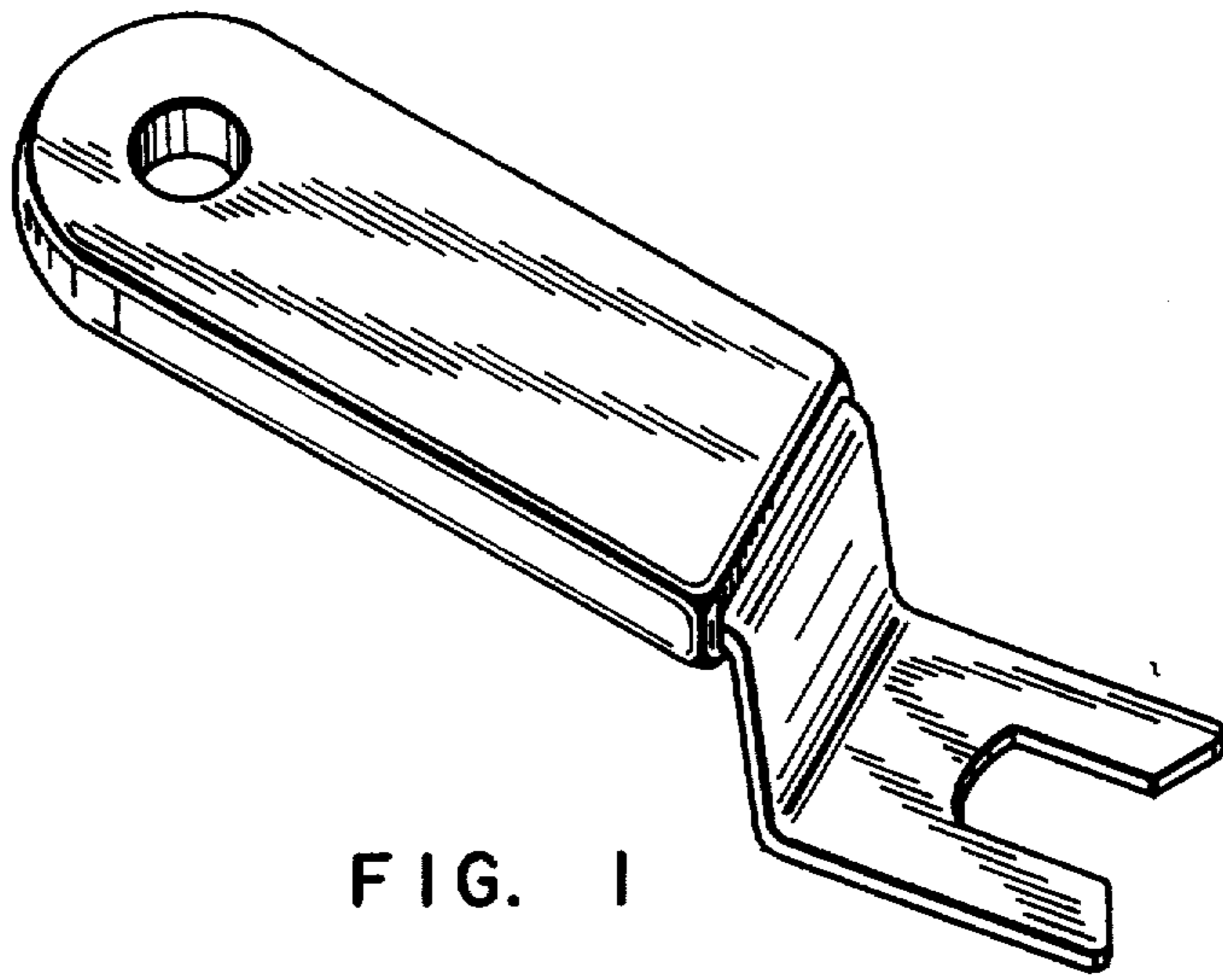


FIG. 1

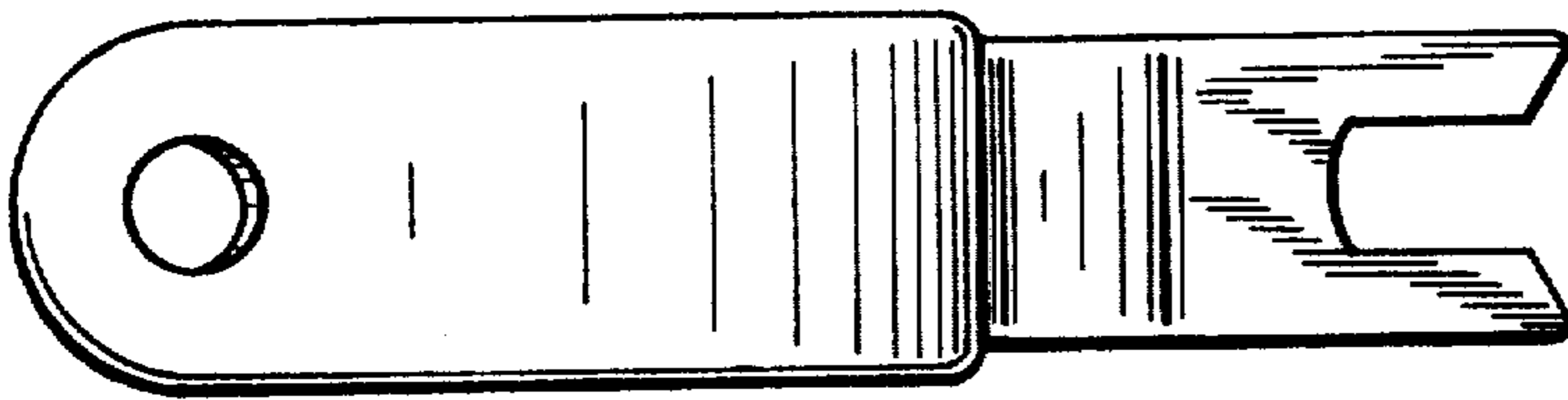


FIG. 2

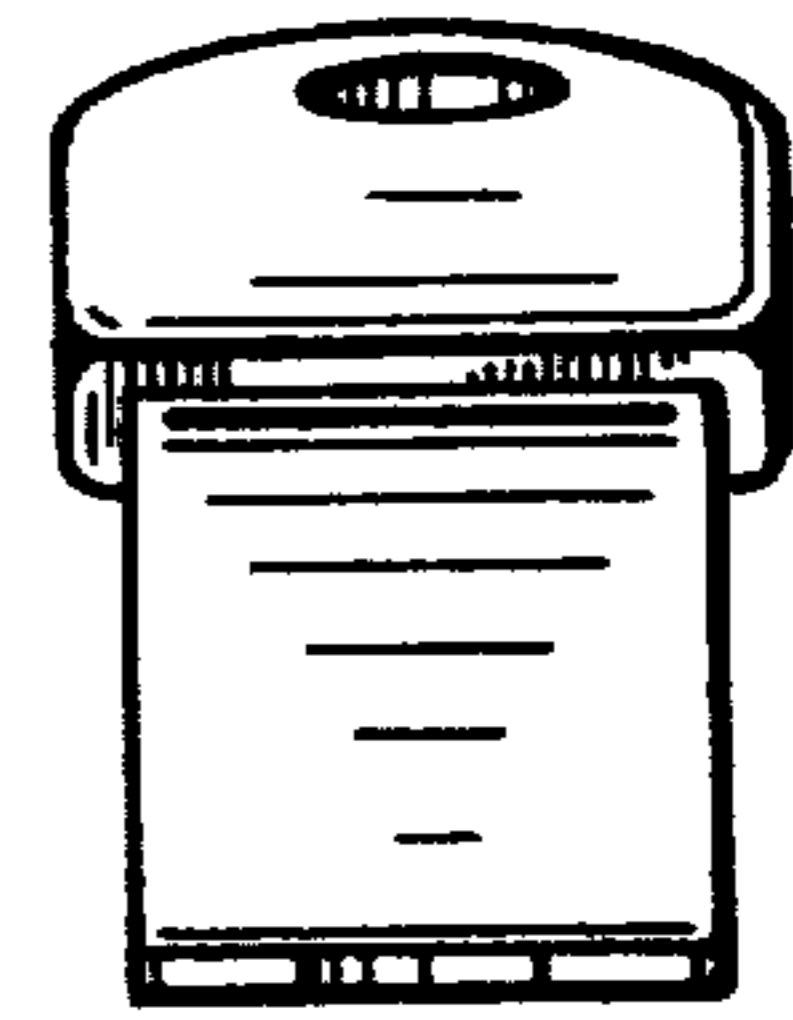


FIG. 3

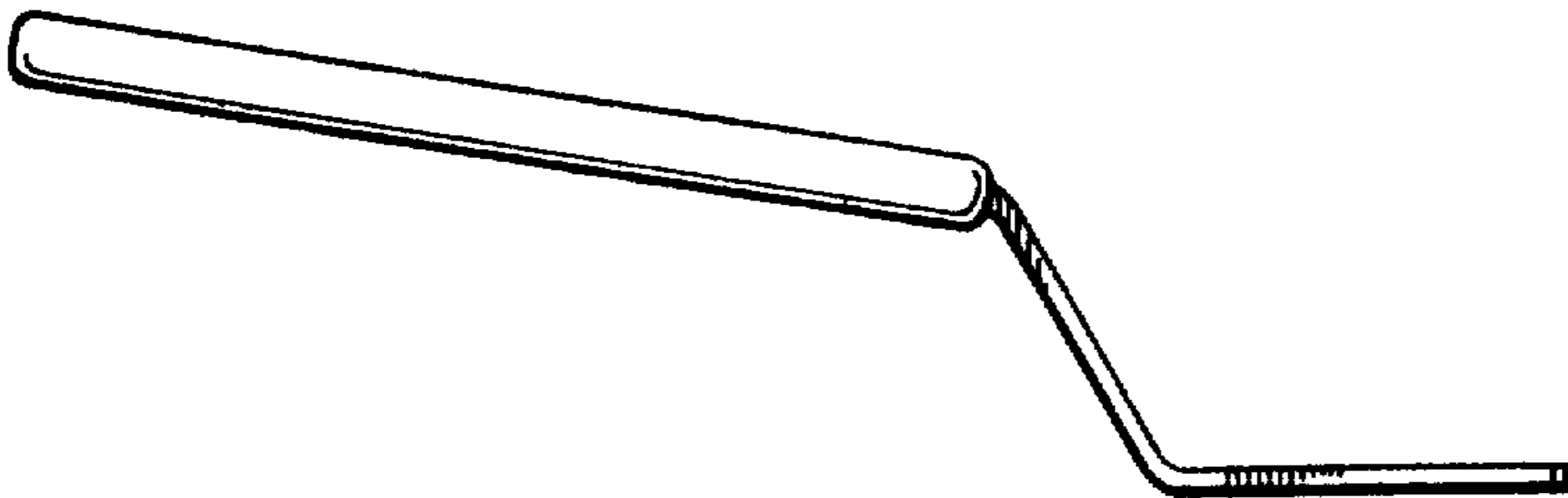


FIG. 4

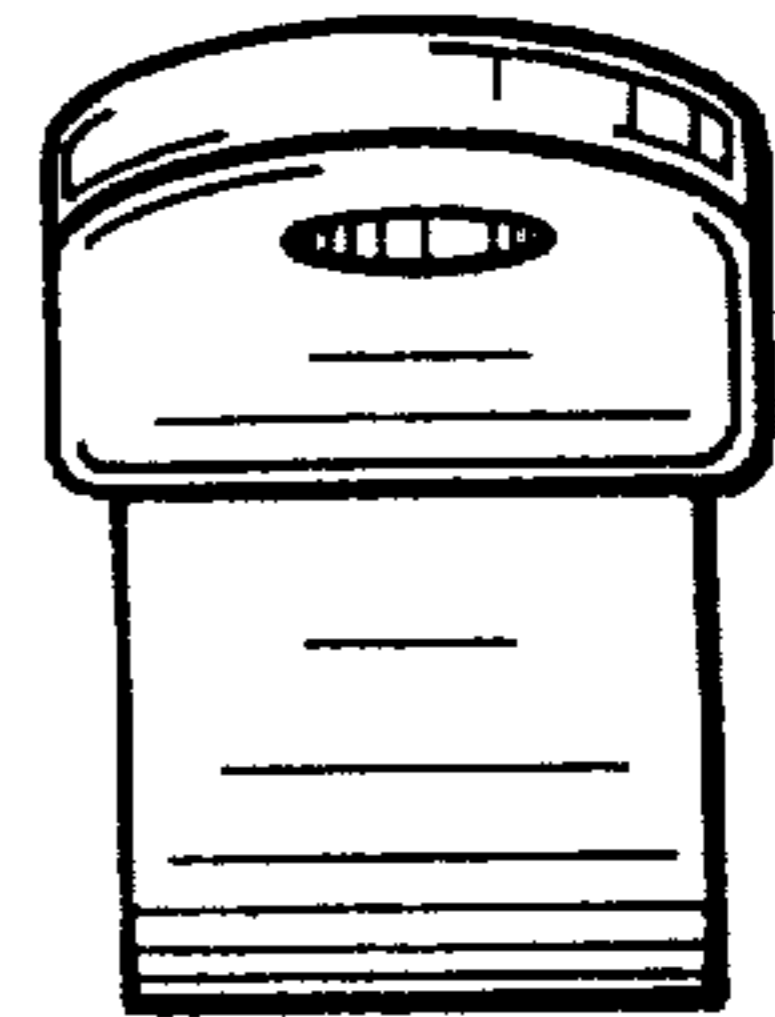


FIG. 5